



Commando DC130Ri S5 SURFACE DRILLS

TECHNICAL SPECIFICATION

Commando DC130Ri is a fully remote controlled, hydraulic and self-propelled drilling unit on a 4-wheel drive carrier.

Typical applications for Commando DC130Ri are foundation drilling, road cutting, trenching, bolting, line drilling in dimensional stone quarries, and other special drilling applications. Therefore Commando DC130Ri is most often used by construction contractors, mines and quarries and the municipal sector. Due to its versatility Commando DC130Ri is often included in the equipment fleet of rental houses as well.

KEY FEATURES

Hole diameter:	22 - 45 mm (7/8" - 1 3/4")
Rock tools:	H19, H22, H25, R23, R25, R28
Rock Drill	5,5 kW
Engine output:	45 kW
Flushing air:	1,2 m ³ /min, up to 8 bar
Production capacity:	300 - 540 m ³ /8h
Total weight :	3250 kg



STANDARD COMPONENTS

Rock drill RD106, hydraulic
Chain feed CF 100 x 32, incl. one set of jaws
Rod rack on the carrier
Boom DB130 HD, articulated
Carrier, rubber-tyred
4 pcs Hydraulic jacks, front legs extendable
Power pack, diesel driven, hydraulic pumps and on-board compressor
Hydraulic system, electric load sensing
Control system, radio remote control
Hydraulic power take off
Dust collection system DC130H, hydraulic
6 pcs Working lights
1 Set Manuals, paper copy
1 Set Manuals, USB memory
EU-safety devices

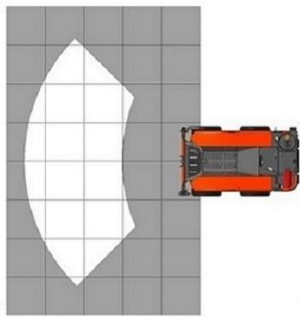
THE JAWS FOR DRILL STEELS

DRILL STEEL TYPE	DRILL STEEL DIAMETER	RECOMMENDED HOLE DIAMETER
Steel	19 mm 3/4"	22 - 27 mm 7/8" - 1 1/16"
Steel	22 mm 7/8"	28 - 45 mm 1 7/64" - 1 3/4"
Steel	25 mm 1"	35 - 45 mm 1 3/8" - 1 3/4"
Steel	28 mm 1 1/8"	35 - 45 mm 1 3/8" - 1 3/4"

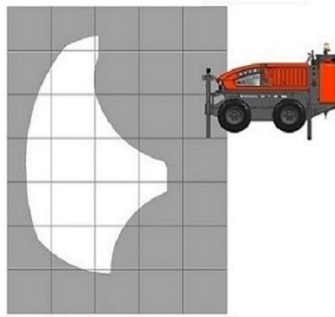
SELECTION OF OPTIONS

Spirit level angle indicator
TIMi for vertical holes and hole depth measuring
TIMi horizontal holes measurement (requires TIMi)
TIMi aligned holes with GPS and hole depth measurement
Kit for alternative steels, each
Front centralizer Pito 1 *
Safety cage for feed, MANDATORY for EU, US, CAN and AUS
Feed-percussion follow up
Torque control
Hydraulic roll-over DC130
Biodegradable hydraulic oil
Central lubrication system Lincoln
Chain tracks
Electric fuel filling pump
Hydraulic winch
Manual fuel filling pump
Led lights 6 pcs
Led side lights 2 pcs
Electric engine heater and float charger 230 V
Fuel powered heater for engine
Readiness for extra large fuel powered heater
Flushing control automatics
Shut down of suction for water holes
Raised dust collector
Water flushing kit without water pump
Grinder Dynaset
Grinder Sandvik RG100H
Grinder Sandvik RG400
Steel wearing strips for chain feed
Spare radio remote transmitter
Shoulder harness for radio remote transmitter
Extra manuals, price will be added according to pricing sheet
First service kit for DC130Ri
Tools for RD106, field kit (not include punches)
Punches for RD106, workshop kit
Service agreement - select level from extra item
SanRemo - select level from extra item

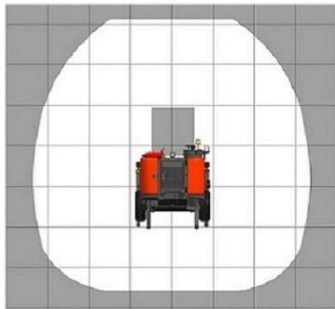
COVERAGE AREA AND DIMENSIONS



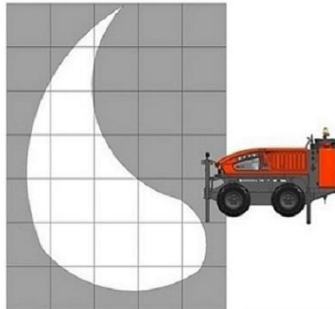
Vertical drilling



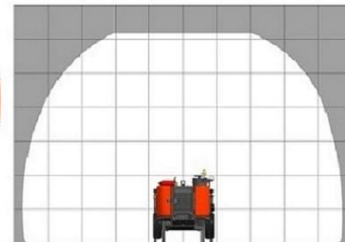
Vertical drilling



Face drilling with roll-over



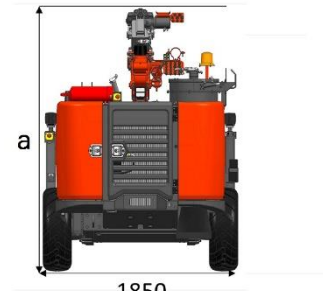
Horizontal drilling sideways



Bolting with roll-over



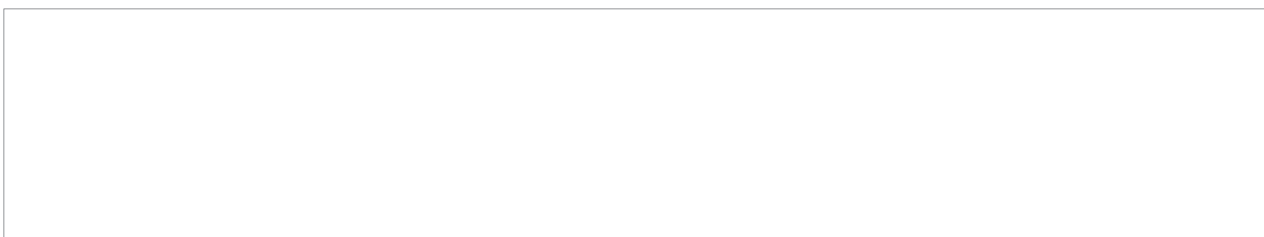
5140



1850

DIMENSIONS

Weight	3250 kg
Width	1.85 m
Height	a, 2.49 m
With safety cage	a, 2.54 m
Total length	5.14 m



Sandvik Mining and Rock Technology reserves the right to make changes to the information on this data sheet without prior notification to users. Please contact a Sandvik representative for clarification on specifications and options.

ROCKTECHNOLOGY.SANDVIK