



M315

Wheeled Excavator

Technical Specifications

Configurations and features may vary by region. Please consult your Cat® dealer for availability in your area.

Table of Contents

Specifications	2
Engine	2
Transmission	2
Service Refill Capacities	2
Swing Mechanism	2
Undercarriage	2
Operating Weights	2
Major Component Weights	3
Hydraulic System	3
Tires	3
Dozer Blade	4
Emissions and Safety	4
Standards	4
Sound Performance	4
Air Conditioning System	4
Dimensions	5
Undercarriage Dimensions	6
Working Ranges	7
Lift Capacities – Variable Adjustable Boom	8
Bucket Specifications and Compatibility:	
Europe	12
North America	15
Aus-NZ	16
Attachments Offering Guide:	
North America	17
Europe	20
Aus-NZ	23
Standard and Optional Equipment	24
Dealer Installed Kits and Attachments	26
Cab Options	27
M315 Environmental Declaration	28

M315 Wheeled Excavator Specifications

Engine

Engine Model	Cat® C4.4	
Engine Power		
ISO 14396:2002	110 kW	148 hp
ISO 14396 (metric)	150 PS	
Net Power		
ISO 9249:2007	108 kW	145 hp
ISO 9249 (metric)	147 PS	
Bore	105 mm	4.1 in
Stroke	127 mm	5.0 in
Displacement	4.4 L	268.5 in ³
Biodiesel Capability	Up to B20 ⁽¹⁾	
Number of Cylinders	4	

- Meets U.S. EPA Tier 4 Final and EU Stage V emission standards.
- Net power advertised is the power available at the flywheel when engine is equipped with fan, air cleaner, CEM exhaust gas aftertreatment, alternator, and cooling fan running at intermediate speed.
- Recommended for use up to 3000 m (9,843 ft) altitude with engine power derate above 3000 m (9,843 ft).
- Rated speed 2,200 rpm.
- Advertised power is tested per the specified standard in effect at the time of manufacture.

⁽¹⁾Cat diesel engines are required to use ULSD (ultra-low sulfur diesel fuel with 15 ppm of sulfur or less) or ULSD blended with the following lower-carbon intensity fuels up to:

- ✓ 20% biodiesel FAME (fatty acid methyl ester)*
- ✓ 100% renewable diesel, HVO (hydrotreated vegetable oil) and GTL (gas-to-liquid) fuels

Refer to guidelines for successful application. Please consult your Cat dealer or “Caterpillar Machine Fluids Recommendations” (SEBU6250) for details.

**Engines with no aftertreatment devices can use higher blends, up to 100% biodiesel (for use of blends higher than 20% biodiesel, consult your Cat dealer).*

Transmission

Forward/Reverse		
1st Gear	10 km/h	6.2 mph
2nd Gear	35 km/h	21.7 mph
Creeper Speed		
1st Gear	5.5 km/h	3.4 mph
2nd Gear	15 km/h	9.3 mph
Drawbar Pull	104 kN	23,380 lbf
Maximum Gradeability at (16 500 kg/36,376 lb)	78%	

Service Refill Capacities

Fuel Tank (total capacity)	280 L	74.0 gal
Diesel Exhaust Fluid Tank	20 L	5.3 gal
Cooling System	24 L	6.3 gal
Engine Oil	13 L	3.4 gal
Hydraulic Tank	90 L	23.8 gal
Hydraulic System (including tank)	220 L	58.1 gal
Rear Axle Housing (differential)	14 L	3.7 gal
Front Steering Axle (differential)	10.5 L	2.8 gal
Final Drive (each)	2.5 L	0.7 gal
Powershift Transmission	2.5 L	0.7 gal

Swing Mechanism

Maximum Swing Speed	9.1 rpm	
Maximum Swing Torque	41.3 kN·m	30,461 lbf-ft

Undercarriage

Ground Clearance	365 mm	14.4 in
Maximum Steering Angle	35°	
Oscillation Axle Angle	± 8.5°	
Minimum Turning Radius		
Outside of Tire	6300 mm	20.7 ft
Outside of Tire (plastic fender)	7600 mm	24.9 ft
End of Variable Adjustable Boom	6900 mm	22.6 ft
Maximum Towable Trailer Mass*	8000 kg	17,640 lb

*Europe only.

Operating Weights*

Minimum	15 700 kg	34,610 lb
Maximum	18 000 kg	39,680 lb

Typical Configurations

Variable Adjustable Boom**		
Rear Blade Only	16 250 kg	35,820 lb
Blade and Outriggers	17 200 kg	37,920 lb
Front and Rear Outriggers	17 450 kg	38,470 lb

*Operating weight includes full fuel tank, operator, GD bucket and dual pneumatic tires. Weight varies depending on configuration.

**Typical configurations include 2.5 m (8'2") stick and 4000 kg (8,820 lb) counterweight.

M315 Wheeled Excavator Specifications

Major Component Weights

Booms (including VA and stick cylinder, pins and standard hydraulic lines)		
5.2 m (17'1") Variable Adjustable Boom	1860 kg	4,100 lb
Sticks (including cylinder, bucket linkage, pins and standard hydraulic lines)		
2.2 m (7'3") Stick	630 kg	1,390 lb
2.5 m (8'2") Stick	620 kg	1,370 lb
Counterweight		
4000 kg (8,820 kg) Counterweight	4000 kg	8,820 lb
Undercarriage (including axles, standard tires and steps)		
Rear Radial Blade	4355 kg	9,600 lb
Rear Radial Blade, HCS	4355 kg	9,600 lb
Front Radial Blade/Rear Outrigger	5300 kg	11,680 lb
Rear Radial Blade/Front Outrigger	5295 kg	11,670 lb
Rear Blade	4500 kg	9,920 lb
Rear Blade, Trailer	4565 kg	10,064 lb
Front Blade/Rear Outrigger	5450 kg	12,020 lb
Rear Blade/Front Outrigger	5295 kg	11,670 lb
Rear Outrigger/Front Outrigger	5550 kg	12,240 lb
Buckets		
CW Bucket GD 1200 mm (47"), 0.76 m ³ (0.99 yd ³)	510 kg	1,120 lb
Pin-On Bucket GD 1200 mm (47"), 0.76 m ³ (0.99 yd ³)	500 kg	1,100 lb
Quick Couplers		
CW20 Dedicated Quick Coupler	210 kg	460 lb
Pin Grabber Quick Coupler	190 kg	420 lb

Hydraulic System

Maximum Pressure – Implement Circuit		
Normal	35 000 kPa	5,076 psi
Heavy Lift	37 000 kPa	5,366 psi
Travel Circuit	35 000 kPa	5,076 psi
Maximum Pressure – Auxiliary Circuit		
High Pressure	35 000 kPa	5,076 psi
Medium Pressure	17 000 kPa	2,466 psi
Swing Mechanism	33 500 kPa	4,859 psi
Maximum Flow		
Implements	275 L/min	73 gal/min
Travel Circuit	190 L/min	50 gal/min
Auxiliary Circuit		
High Pressure	250 L/min	66.0 gal/min
Medium Pressure	55 L/min	14.5 gal/min
Swing Mechanism	85 L/min	22.5 gal/min
Cylinders		
Boom Cylinder (VA) – Bore	105 mm	0'4"
Boom Cylinder (VA) – Stroke	974 mm	3'2"
VAB Cylinder – Bore	130 mm	0'5"
VAB Cylinder – Stroke	753 mm	2'6"
Stick Cylinder – Bore	110 mm	0'4"
Stick Cylinder – Stroke	1147 mm	3'9"
Bucket Cylinder – Bore	95 mm	0'4"
Bucket Cylinder – Stroke	939 mm	3'1"

Tires

Standard	10.00-20 (dual pneumatic)
Optional	315/70R22.5 (dual pneumatic without spacer) 445/70/R19.5 TL XF (single pneumatic)

M315 Wheeled Excavator Specifications

Dozer Blade

Blade Type	Parallel	
Width	2540 mm	8'4"
Blade Roll-Over Height	540 mm	1'9"
Blade Total Height	580 mm	1'11"
Maximum Lowering Depth From Ground	120 mm	0'5"
Maximum Raising Height Above Ground	475 mm	1'7"

Blade Type	Radial	
Width	2540 mm	8'4"
Blade Roll-Over Height	560 mm	1'10"
Blade Total Height	610 mm	2'0"
Maximum Lowering Depth From Ground	115 mm	0'5"
Maximum Raising Height Above Ground	470 mm	1'7"

Emissions and Safety

Engine Emissions	U.S. EPA Tier 4 Final and EU Stage V	
Vibration Levels		
Maximum Hand/Arm (ISO 5349-2001)	<2.5 m/s ²	<8.2 ft/s ²
Maximum Whole Body (ISO/TR 25398:2006)	<0.5 m/s ²	<1.6 ft/s ²
Seat Transmissibility Factor (ISO 7096:2000-spectral class EM5)	<0.7	

Standards

Brakes	ISO 3450:2011
Cab (Roll Over Protective Systems [ROPS])	ISO 12117-2:2008
FOPS (Falling Object Protective Structure)	ISO 10262:1998
Cab/Sound Levels	Meets appropriate standards as listed below

Sound Performance

Operator Sound	
2000/14/EC	70 dB(A)
Spectator Sound	
2000/14/EC	100 dB(A)

- Operator Sound – The operator sound level is measured according to the procedures specified in 2000/14/EC, for a cab offered by Caterpillar, when properly installed and maintained and tested with the door and windows closed.
- Exterior Sound – The labeled spectator sound power level is measured according to the test procedures and conditions specified in 2000/14/EC.
- Hearing protection may be needed when operating with an open operator station and cab (when not properly maintained for doors/windows open) for extended periods or in noisy environment(s).

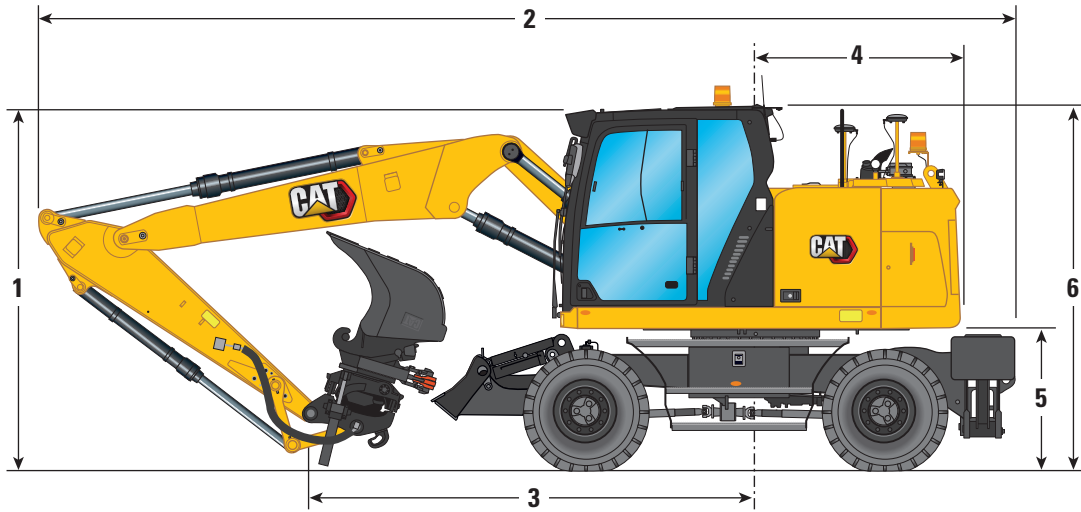
Air Conditioning System

The air conditioning system on this machine contains the fluorinated greenhouse gas refrigerant R134a (Global Warming Potential = 1430). The system contains 0.8 kg of refrigerant, which has a CO₂ equivalent of 1.144 metric tonnes.

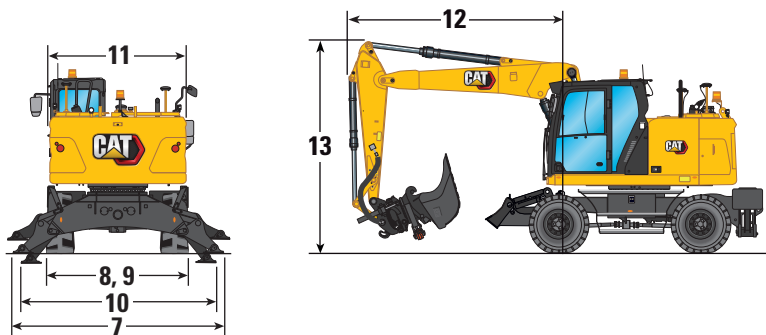
M315 Wheeled Excavator Specifications

Dimensions

All Dimensions are approximate. Values are with 10.00-20 Dual Pneumatic Tires.



Boom Option	Variable Adjustable Boom 5.2 m (17'1")	
	2.2 m (7'3")	2.5 m (8'2")
Stick Options		
1 Shipping Height with Falling Object Guard (highest point between boom and cab)	3280 mm (10'9")	3280 mm (10'9")
Shipping Height without Falling Object Guard	3060 mm (10'0")	3150 mm (10'4")
2 Shipping Length	8490 mm (27'10")	8355 mm (27'5")
3 Support Point	3480 mm (11'5")	3310 mm (10'10")
4 Tail Swing Radius	1750 mm (5'9")	1750 mm (5'9")
5 Counterweight Clearance	1260 mm (4'2")	1260 mm (4'2")
6 Cab Height		
No Falling Object Guard	3160 mm (10'4")	3160 mm (10'4")
With Falling Object Guard	3280 mm (10'9")	3280 mm (10'9")
Overall Machine Width		
7 Width with Outriggers on Ground	3815 mm (12'6")	3815 mm (12'6")
8 Width with Outriggers Up	2540 mm (8'4")	2540 mm (8'4")
9 Width with Blade	2540 mm (8'4")	2540 mm (8'4")
10 Width with Outriggers Fully Down	3650 mm (12'0")	3650 mm (12'0")
Enclosure Height (doors)	2460 mm (8'1")	2460 mm (8'1")
11 Upperframe Width	2480 mm (8'2")	2480 mm (8'2")
Roading Position		
12 Steering Wheel to Linkage in Roading Position	3030 mm (9'11")	2900 mm (9'6")
13 Height in Roading Position	3970 mm (13'0")	3970 mm (13'0")



M315 Wheeled Excavator Specifications

Undercarriage Dimensions

All Dimensions are approximate.

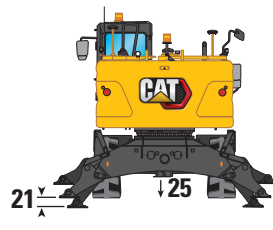
Undercarriage	Rear Blade*	Rear Blade/ Front Outrigger	Rear Outrigger/ Front Blade	Rear Outrigger/ Front Outrigger
14 Overall Undercarriage Length (blade parallel)	4260 mm (14'0")	4870 mm (16'0")	4870 mm (16'0")	4805 mm (15'9")
14 Overall Undercarriage Length (blade radial)	4360 mm (14'4")	4970 mm (16'4")	4970 mm (16'4")	—
15 Wheel Base	2550 mm (8'4")	2550 mm (8'4")	2550 mm (8'4")	2550 mm (8'4")
16 Swing Bearing Center to Rear Axle	1100 mm (3'7")	1100 mm (3'7")	1100 mm (3'7")	1100 mm (3'7")
17 Swing Bearing Center to Front Axle	1450 mm (4'9")	1450 mm (4'9")	1450 mm (4'9")	1450 mm (4'9")
18 Rear Axle to Rear Outrigger (mid)	—	—	830 mm (2'9")	830 mm (2'9")
19 Front Axle to Front Outrigger (mid)	—	875 mm (2'10")	—	875 mm (2'10")
20 Rear Axle to Parallel Blade (end)	1170 mm (3'10")	1170 mm (3'10")	—	—
20 Rear Axle to Radial Blade (end)	1270 mm (4'2")	1270 mm (4'2")	—	—
Front Axle to Parallel Blade (end)	—	—	1215 mm (4'0")	—
Front Axle to Radial Blade (end)	—	—	1320 mm (4'4")	—
21 Maximum Outrigger Depth	—	115 mm (0'5")	115 mm (0'5")	115 mm (0'5")
22 Blade Width	2540 mm (8'4")	2540 mm (8'4")	2540 mm (8'4")	—
Maximum Blade Depth Below Ground	115 mm (0'5")	115 mm (0'5")	115 mm (0'5")	—
Ground Clearance				
Lowest Step Clearance	440 mm (1'5")	440 mm (1'5")	440 mm (1'5")	440 mm (1'5")
23 Outrigger Clearance	335 mm (1'1")	335 mm (1'1")	335 mm (1'1")	335 mm (1'1")
24 Blade Clearance (parallel)	470 mm (1'7")	470 mm (1'7")	470 mm (1'7")	470 mm (1'7")
24 Blade Clearance (radial)	475 mm (1'7")	475 mm (1'7")	475 mm (1'7")	475 mm (1'7")
25 Axle Clearance	365 mm (1'2")	365 mm (1'2")	365 mm (1'2")	365 mm (1'2")

*Blade rear, trailer dimensions are equal to the dimensions for rear blade parallel.

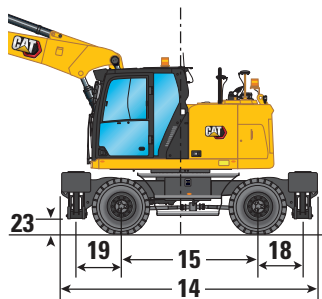
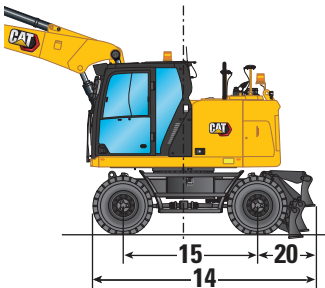
*Maximum tire clearance
with outrigger fully down



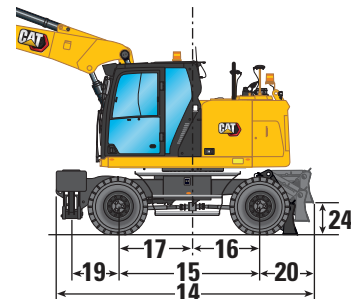
Undercarriage with dozer only



Undercarriage with 2 sets of outriggers



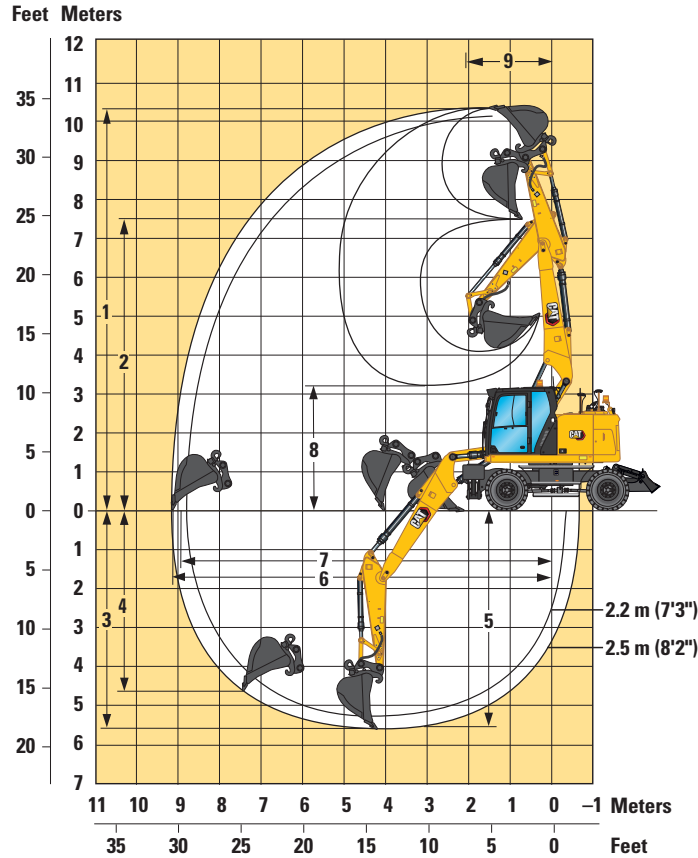
Undercarriage with 1 set of outriggers and dozer



M315 Wheeled Excavator Specifications

Working Ranges

All Dimensions are approximate. Values are with 10.00-20 Dual Pneumatic Tires.



Boom Option	Variable Adjustable Boom 5.2 m (17'1")	
	2.2 m (7'3")	2.5 m (8'2")
Stick Options		
1 Maximum Cutting Height	10 140 mm (33'3")	10 410 mm (34'2")
2 Maximum Loading Height	7400 mm (24'3")	7680 mm (25'2")
3 Maximum Digging Depth	5290 mm (17'4")	5580 mm (18'4")
4 Maximum Vertical Wall Digging Depth	4250 mm (13'11")	4580 mm (15'0")
5 Maximum Depth Cut for 2440 mm (8'0") Level Bottom	5170 mm (17'0")	5480 mm (18'0")
6 Maximum Reach	8860 mm (29'1")	9150 mm (30'0")
7 Maximum Reach at Ground Line	8680 mm (28'6")	8980 mm (29'6")
8 Minimum Loading Height	3550 mm (11'8")	3300 mm (10'10")
9 Minimum Front Swing Radius	1920 mm (6'4")	2080 mm (6'10")
Bucket Forces (ISO)	106 kN (23,830 lbf)	106 kN (23,830 lbf)
Stick Forces (ISO)	71 kN (15,961 lbf)	65 kN (14,613 lbf)
Bucket Type	GD	GD
Bucket Capacity	0.76 m ³ (0.99 yd ³)	0.76 m ³ (0.99 yd ³)
Bucket Tip Radius (Pin-On)	1224 mm (4'0")	1224 mm (4'0")
Bucket Tip Radius (QC)	1387 mm (4'7")	1387 mm (4'7")

Range values are with dual pneumatic tires (10.00-20).

Range values are calculated with a GD bucket (CW) and CW quick coupler with a tip radius of 1387 mm (4'7").

Force values are calculated with heavy lift on, a GD bucket (pin-on) and a tip radius of 1224 mm (4'0").

M315 Wheeled Excavator Specifications

Lift Capacities – Variable Adjustable Boom 2.2 m Stick

All values are in kg, work tool: none, bucket cylinder and bucket linkage installed, counterweight: 4000 kg, heavy lift function on.

		Load at maximum reach (sticknose/bucket pin)			Load over front			Load over rear			Load over side			Load point height	
	Undercarriage configuration	3000 mm			4500 mm			6000 mm						mm	
7500 mm	Free on Wheels				*3900	*3900	3750				*3700	*3700	3700	4540	
	Front Empty – Rear Dozer – Stabilized				*3900	*3900	*3900				*3700	*3700	*3700		
	Front Dozer – Rear Stabilizer – Stabilized				*3900	*3900	*3900				*3700	*3700	*3700		
	Front Stabilizer – Rear Stabilizer – Stabilized				*3900	*3900	*3900				*3700	*3700	*3700		
6000 mm	Free on Wheels				*4750	4250	3850	*3450	2600	2350	*3050	2550	2300	6070	
	Front Empty – Rear Dozer – Stabilized				*4750	*4750	4300	*3450	*3450	2650	*3050	*3050	2600		
	Front Dozer – Rear Stabilizer – Stabilized				*4750	*4750	*4750	*3450	*3450	*3450	*3050	*3050	*3050		
	Front Stabilizer – Rear Stabilizer – Stabilized				*4750	*4750	*4750	*3450	*3450	*3450	*3050	*3050	*3050		
4500 mm	Free on Wheels				*5250	4100	3650	3900	2600	2300	*2850	2000	1800	6930	
	Front Empty – Rear Dozer – Stabilized				*5250	*5250	4100	3900	*4300	2600	*2850	*2850	2050		
	Front Dozer – Rear Stabilizer – Stabilized				*5250	*5250	*5250	*4300	*4300	4050	*2850	*2850	*2850		
	Front Stabilizer – Rear Stabilizer – Stabilized				*5250	*5250	*5250	*4300	*4300	*4300	*2850	*2850	*2850		
3000 mm	Free on Wheels				5900	3750	3350	3800	2450	2200	2750	1750	1600	7370	
	Front Empty – Rear Dozer – Stabilized				5850	*6050	3800	3750	*4600	2500	2750	*2850	1800		
	Front Dozer – Rear Stabilizer – Stabilized				*6050	*6050	*6050	*4600	*4600	3950	*2850	*2850	*2850		
	Front Stabilizer – Rear Stabilizer – Stabilized				*6050	*6050	*6050	*4600	*4600	*4600	*2850	*2850	*2850		
1500 mm	Free on Wheels				5550	3450	3050	3650	2350	2100	2650	1700	1500	7480	
	Front Empty – Rear Dozer – Stabilized				5550	*6600	3500	3650	*4800	2350	2650	*3000	1700		
	Front Dozer – Rear Stabilizer – Stabilized				*6600	*6600	5800	*4800	*4800	3800	*3000	*3000	2750		
	Front Stabilizer – Rear Stabilizer – Stabilized				*6600	*6600	*6600	*4800	*4800	4600	*3000	*3000	*3000		
0 mm	Free on Wheels				5400	3300	2950	3550	2250	2000	2750	1750	1550	7270	
	Front Empty – Rear Dozer – Stabilized				5350	*6450	3350	3550	*4700	2300	2700	*3300	1750		
	Front Dozer – Rear Stabilizer – Stabilized				*6450	*6450	5600	*4700	*4700	3700	*3300	*3300	2850		
	Front Stabilizer – Rear Stabilizer – Stabilized				*6450	*6450	*6450	*4700	*4700	4500	*3300	*3300	*3300		
-1500 mm	Free on Wheels	*6700	6200	5350	5400	3300	2900	3550	2250	2000	3050	1950	1750	6700	
	Front Empty – Rear Dozer – Stabilized	*6700	*6700	6250	5350	*5550	3350	3500	*4000	2250	3050	*3150	2000		
	Front Dozer – Rear Stabilizer – Stabilized	*6700	*6700	*6700	*5550	*5550	*5550	*4000	*4000	3700	*3150	*3150	*3150		
	Front Stabilizer – Rear Stabilizer – Stabilized	*6700	*6700	*6700	*5550	*5550	*5550	*4000	*4000	*4000	*3150	*3150	*3150		

*Limited by hydraulic rather than tipping load.

Oscillating axle needs to be locked. Weight of all lifting accessories must be subtracted from the lifting capacities. All lift capacities calculated and rated per ISO 10567:2007. Rated loads do not exceed 87% of hydraulic lift capacity or 75% of tipping load. Heavy Lift Function ON. Lifting capacities are based on the machine standing on a firm uniform supporting surface. The load point is the center line of the bucket pivot mounting pin on the stick. Lift capacity is calculated with VA cylinder completely extracted. The use of a work tool attachment point to handle/lift objects, could affect the machine lift performance.

Always refer to the appropriate Operation and Maintenance Manual for specific product information.

M315 Wheeled Excavator Specifications

Lift Capacities – Variable Adjustable Boom 7'3" Stick

All values are in lb, work tool: none, bucket cylinder and bucket linkage installed, counterweight: 8,820 lb, heavy lift function on.

		Load at maximum reach (sticknose/bucket pin)			Load over front			Load over rear			Load over side			Load point height	
	Undercarriage configuration	10 ft			15 ft			20 ft						ft	
25 ft	Free on Wheels										*8,400	*8,400	*8,400	14.34	
	Front Empty – Rear Dozer – Stabilized										*8,400	*8,400	*8,400		
	Front Dozer – Rear Stabilizer – Stabilized										*8,400	*8,400	*8,400		
	Front Stabilizer – Rear Stabilizer – Stabilized										*8,400	*8,400	*8,400		
20 ft	Free on Wheels				*10,400	9,200	8,200				*6,800	5,700	5,200	19.65	
	Front Empty – Rear Dozer – Stabilized				*10,400	*10,400	9,200				*6,800	*6,800	5,800		
	Front Dozer – Rear Stabilizer – Stabilized				*10,400	*10,400	*10,400				*6,800	*6,800	*6,800		
	Front Stabilizer – Rear Stabilizer – Stabilized				*10,400	*10,400	*10,400				*6,800	*6,800	*6,800		
15 ft	Free on Wheels				*11,300	8,800	7,900	8,400	5,600	5,000	*6,300	4,500	4,000	22.60	
	Front Empty – Rear Dozer – Stabilized				*11,300	8,900	8,400	*9,400	5,600	*6,300	*6,300	*6,300	4,500		
	Front Dozer – Rear Stabilizer – Stabilized				*11,300	*11,300	*11,300	*9,400	*9,400	8,700	*6,300	*6,300	*6,300		
	Front Stabilizer – Rear Stabilizer – Stabilized				*11,300	*11,300	*11,300	*9,400	*9,400	*9,400	*6,300	*6,300	*6,300		
10 ft	Free on Wheels				12,700	8,100	7,200	8,200	5,300	4,800	6,100	3,900	3,500	24.15	
	Front Empty – Rear Dozer – Stabilized				12,600	*13,100	8,200	8,100	*9,900	5,400	6,000	*6,300	4,000		
	Front Dozer – Rear Stabilizer – Stabilized				*13,100	*13,100	*13,100	*9,900	*9,900	8,500	*6,300	*6,300	*6,300		
	Front Stabilizer – Rear Stabilizer – Stabilized				*13,100	*13,100	*13,100	*9,900	*9,900	*9,900	*6,300	*6,300	*6,300		
5 ft	Free on Wheels				12,000	7,500	6,600	7,900	5,000	4,500	5,800	3,700	3,300	24.54	
	Front Empty – Rear Dozer – Stabilized				11,900	*14,300	7,600	7,800	*10,400	5,100	5,800	*6,600	3,800		
	Front Dozer – Rear Stabilizer – Stabilized				*14,300	*14,300	12,500	*10,400	*10,400	8,200	*6,600	*6,600	6,100		
	Front Stabilizer – Rear Stabilizer – Stabilized				*14,300	*14,300	*14,300	*10,400	*10,400	9,900	*6,600	*6,600	*6,600		
0 ft	Free on Wheels				11,600	7,200	6,300	7,700	4,800	4,300	6,000	3,800	3,400	23.85	
	Front Empty – Rear Dozer – Stabilized				11,600	*13,900	7,300	7,600	*10,100	4,900	6,000	*7,300	3,900		
	Front Dozer – Rear Stabilizer – Stabilized				*13,900	*13,900	12,100	*10,100	*10,100	8,000	*7,300	*7,300	6,300		
	Front Stabilizer – Rear Stabilizer – Stabilized				*13,900	*13,900	*13,900	*10,100	*10,100	9,700	*7,300	*7,300	*7,300		
-5 ft	Free on Wheels	*15,400	13,300	11,500	11,600	7,100	6,300	7,600	4,800	4,300	6,800	4,300	3,800	21.95	
	Front Empty – Rear Dozer – Stabilized	*15,400	*15,400	13,400	11,500	*12,000	7,200	7,600	*8,600	4,900	6,700	*7,000	4,400		
	Front Dozer – Rear Stabilizer – Stabilized	*15,400	*15,400	*15,400	*12,000	*12,000	*12,000	*8,600	*8,600	7,900	*7,000	*7,000	*7,000		
	Front Stabilizer – Rear Stabilizer – Stabilized	*15,400	*15,400	*15,400	*12,000	*12,000	*12,000	*8,600	*8,600	*8,600	*7,000	*7,000	*7,000		

*Limited by hydraulic rather than tipping load.

Oscillating axle needs to be locked. Weight of all lifting accessories must be subtracted from the lifting capacities. All lift capacities calculated and rated per ISO 10567:2007. Rated loads do not exceed 87% of hydraulic lift capacity or 75% of tipping load. Heavy Lift Function ON. Lifting capacities are based on the machine standing on a firm uniform supporting surface. The load point is the center line of the bucket pivot mounting pin on the stick. Lift capacity is calculated with VA cylinder completely extracted. The use of a work tool attachment point to handle/lift objects, could affect the machine lift performance.

Always refer to the appropriate Operation and Maintenance Manual for specific product information.

M315 Wheeled Excavator Specifications

Lift Capacities – Variable Adjustable Boom 2.5 m Stick

All values are in kg, work tool: none, bucket cylinder and bucket linkage installed, counterweight: 4000 kg, heavy lift function on.

Stick height	Undercarriage configuration	Load at maximum reach (sticknose/bucket pin)			Load over front			Load over rear			Load over side			Load point height			mm				
		3000 mm	4500 mm	6000 mm	7500 mm	3000 mm	4500 mm	6000 mm	7500 mm	3000 mm	4500 mm	6000 mm	7500 mm	3000 mm	4500 mm	6000 mm					
9000 mm	Free on Wheels																	*5900	*5900	*5900	1780
	Front Empty – Rear Dozer – Stabilized																	*5900	*5900	*5900	
	Front Dozer – Rear Stabilizer – Stabilized																	*5900	*5900	*5900	
	Front Stabilizer – Rear Stabilizer – Stabilized																	*5900	*5900	*5900	
7500 mm	Free on Wheels				*4100	*4100	3850											*3100	*3100	*3100	5010
	Front Empty – Rear Dozer – Stabilized				*4100	*4100	*4100											*3100	*3100	*3100	
	Front Dozer – Rear Stabilizer – Stabilized				*4100	*4100	*4100											*3100	*3100	*3100	
	Front Stabilizer – Rear Stabilizer – Stabilized				*4100	*4100	*4100											*3100	*3100	*3100	
6000 mm	Free on Wheels				*4150	*4150	3900	*3750	2650	2400								*2650	2350	2100	6420
	Front Empty – Rear Dozer – Stabilized				*4150	*4150	*4150	*3750	*3750	2700								*2650	*2650	2400	
	Front Dozer – Rear Stabilizer – Stabilized				*4150	*4150	*4150	*3750	*3750	*3750								*2650	*2650	*2650	
	Front Stabilizer – Rear Stabilizer – Stabilized				*4150	*4150	*4150	*3750	*3750	*3750								*2650	*2650	*2650	
4500 mm	Free on Wheels				*4750	4150	3750	3950	2650	2350								*2500	1900	1700	7240
	Front Empty – Rear Dozer – Stabilized				*4750	*4750	4200	3950	*4200	2650								*2500	*2500	1950	
	Front Dozer – Rear Stabilizer – Stabilized				*4750	*4750	*4750	*4200	*4200	4100								*2500	*2500	*2500	
	Front Stabilizer – Rear Stabilizer – Stabilized				*4750	*4750	*4750	*4200	*4200	*4200								*2500	*2500	*2500	
3000 mm	Free on Wheels				*5900	3850	3450	3850	2500	2250	2700	1750	1550					*2450	1700	1500	7660
	Front Empty – Rear Dozer – Stabilized				*5900	*5900	3900	3800	*4500	2550	2700	*3300	1800					*2450	*2450	1700	
	Front Dozer – Rear Stabilizer – Stabilized				*5900	*5900	*5900	*4500	*4500	3950	*3300	*3300	2800					*2450	*2450	*2450	
	Front Stabilizer – Rear Stabilizer – Stabilized				*5900	*5900	*5900	*4500	*4500	*4500	*3300	*3300	*3300					*2450	*2450	*2450	
1500 mm	Free on Wheels				5600	3550	3150	3700	2350	2100	2650	1700	1500					2500	1600	1450	7760
	Front Empty – Rear Dozer – Stabilized				5600	*6550	3600	3650	*4750	2400	2650	*3750	1750					2500	*2600	1650	
	Front Dozer – Rear Stabilizer – Stabilized				*6550	*6550	5850	*4750	*4750	3800	*3750	*3750	2750					*2600	*2600	*2600	
	Front Stabilizer – Rear Stabilizer – Stabilized				*6550	*6550	*6550	*4750	*4750	4650	*3750	*3750	3350					*2600	*2600	*2600	
0 mm	Free on Wheels				5450	3350	2950	3550	2250	2000	2600	1650	1500					2600	1650	1450	7560
	Front Empty – Rear Dozer – Stabilized				5400	*6550	3400	3550	*4750	2300	2600	*3350	1700					2600	*2850	1700	
	Front Dozer – Rear Stabilizer – Stabilized				*6550	*6550	5650	*4750	*4750	3700	*3350	*3350	2700					*2850	*2850	2700	
	Front Stabilizer – Rear Stabilizer – Stabilized				*6550	*6550	*6550	*4750	*4750	4500	*3350	*3350	3300					*2850	*2850	*2850	
-1500 mm	Free on Wheels	*6350	6200	5300	5400	3300	2950	3550	2250	2000								2850	1850	1650	7020
	Front Empty – Rear Dozer – Stabilized	*6350	*6350	6250	5350	*5850	3350	3550	*4250	2300								2850	*3100	1850	
	Front Dozer – Rear Stabilizer – Stabilized	*6350	*6350	*6350	*5850	*5850	5600	*4250	*4250	3700								*3100	*3100	3000	
	Front Stabilizer – Rear Stabilizer – Stabilized	*6350	*6350	*6350	*5850	*5850	*5850	*4250	*4250	*4250								*3100	*3100	*3100	
-3000 mm	Free on Wheels				*4300	3400	3000														
	Front Empty – Rear Dozer – Stabilized				*4300	*4300	3450														
	Front Dozer – Rear Stabilizer – Stabilized				*4300	*4300	*4300														
	Front Stabilizer – Rear Stabilizer – Stabilized				*4300	*4300	*4300														

*Limited by hydraulic rather than tipping load.

Oscillating axle needs to be locked. Weight of all lifting accessories must be subtracted from the lifting capacities. All lift capacities calculated and rated per ISO 10567:2007. Rated loads do not exceed 87% of hydraulic lift capacity or 75% of tipping load. Heavy Lift Function ON. Lifting capacities are based on the machine standing on a firm uniform supporting surface. The load point is the center line of the bucket pivot mounting pin on the stick. Lift capacity is calculated with VA cylinder completely extracted. The use of a work tool attachment point to handle/lift objects, could affect the machine lift performance.

Always refer to the appropriate Operation and Maintenance Manual for specific product information.

M315 Wheeled Excavator Specifications

Lift Capacities – Variable Adjustable Boom 8'2" Stick

All values are in lb, work tool: none, bucket cylinder and bucket linkage installed, counterweight: 8,820 lb, heavy lift function on.

		Load at maximum reach (sticknose/bucket pin)			Load over front			Load over rear			Load over side			Load point height						
	Undercarriage configuration	10 ft			15 ft			20 ft			25 ft									
																	ft			
25 ft	Free on Wheels				*8,600	*8,600	8,200										*7,000	*7,000	*7,000	15.94
	Front Empty – Rear Dozer – Stabilized				*8,600	*8,600	*8,600										*7,000	*7,000	*7,000	
	Front Dozer – Rear Stabilizer – Stabilized				*8,600	*8,600	*8,600										*7,000	*7,000	*7,000	
	Front Stabilizer – Rear Stabilizer – Stabilized				*8,600	*8,600	*8,600										*7,000	*7,000	*7,000	
20 ft	Free on Wheels				*9,200	*9,200	8,400	*7,700	5,700	5,200							*5,900	5,300	4,800	20.83
	Front Empty – Rear Dozer – Stabilized				*9,200	*9,200	*9,200	*7,700	*7,700	5,800							*5,900	*5,900	5,400	
	Front Dozer – Rear Stabilizer – Stabilized				*9,200	*9,200	*9,200	*7,700	*7,700	*7,700							*5,900	*5,900	*5,900	
	Front Stabilizer – Rear Stabilizer – Stabilized				*9,200	*9,200	*9,200	*7,700	*7,700	*7,700							*5,900	*5,900	*5,900	
15 ft	Free on Wheels				*10,300	8,900	8,000	8,500	5,700	5,100							*5,500	4,200	3,800	23.65
	Front Empty – Rear Dozer – Stabilized				*10,300	*10,300	9,000	8,500	*9,100	5,700							*5,500	*5,500	4,300	
	Front Dozer – Rear Stabilizer – Stabilized				*10,300	*10,300	*10,300	*9,100	*9,100	8,800							*5,500	*5,500	*5,500	
	Front Stabilizer – Rear Stabilizer – Stabilized				*10,300	*10,300	*10,300	*9,100	*9,100	*9,100							*5,500	*5,500	*5,500	
10 ft	Free on Wheels				*12,700	8,300	7,400	8,200	5,400	4,800	4,800	3,800	3,400				*5,400	3,700	3,300	25.10
	Front Empty – Rear Dozer – Stabilized				*12,700	*12,700	8,400	8,200	*9,800	5,500	5,800	*5,900	3,800				*5,400	*5,400	3,800	
	Front Dozer – Rear Stabilizer – Stabilized				*12,700	*12,700	*12,700	*9,800	*9,800	8,600	*5,900	*5,900	*5,900				*5,400	*5,400	*5,400	
	Front Stabilizer – Rear Stabilizer – Stabilized				*12,700	*12,700	*12,700	*9,800	*9,800	*9,800	*5,900	*5,900	*5,900				*5,400	*5,400	*5,400	
5 ft	Free on Wheels				12,100	7,600	6,800	7,900	5,100	4,600	5,700	3,700	3,300				5,600	3,600	3,200	25.49
	Front Empty – Rear Dozer – Stabilized				12,100	*14,200	7,700	7,900	*10,300	5,200	5,700	*7,700	3,700				5,500	*5,700	3,600	
	Front Dozer – Rear Stabilizer – Stabilized				*14,200	*14,200	12,600	*10,300	*10,300	8,200	*7,700	*7,700	5,900				*5,700	*5,700	*5,700	
	Front Stabilizer – Rear Stabilizer – Stabilized				*14,200	*14,200	*14,200	*10,300	*10,300	10,000	*7,700	*7,700	7,200				*5,700	*5,700	*5,700	
0 ft	Free on Wheels				11,700	7,300	6,400	7,700	4,900	4,400							5,700	3,600	3,200	24.80
	Front Empty – Rear Dozer – Stabilized				11,600	*14,200	7,400	7,700	*10,300	5,000							5,700	*6,200	3,700	
	Front Dozer – Rear Stabilizer – Stabilized				*14,200	*14,200	12,200	*10,300	*10,300	8,000							*6,200	*6,200	5,900	
	Front Stabilizer – Rear Stabilizer – Stabilized				*14,200	*14,200	*14,200	*10,300	*10,300	9,700							*6,200	*6,200	*6,200	
-5 ft	Free on Wheels	*14,500	13,300	11,400	11,600	7,200	6,300	7,600	4,800	4,300							6,300	4,000	3,600	23.00
	Front Empty – Rear Dozer – Stabilized	*14,500	*14,500	13,400	11,500	*12,600	7,300	7,600	*9,100	4,900							6,300	*6,900	4,100	
	Front Dozer – Rear Stabilizer – Stabilized	*14,500	*14,500	*14,500	*12,600	*12,600	12,100	*9,100	*9,100	7,900							*6,900	*6,900	6,600	
	Front Stabilizer – Rear Stabilizer – Stabilized	*14,500	*14,500	*14,500	*12,600	*12,600	*12,600	*9,100	*9,100	*9,100							*6,900	*6,900	*6,900	
-10 ft	Free on Wheels				*9,200	7,300	6,500													
	Front Empty – Rear Dozer – Stabilized				*9,200	*9,200	7,400													
	Front Dozer – Rear Stabilizer – Stabilized				*9,200	*9,200	*9,200													
	Front Stabilizer – Rear Stabilizer – Stabilized				*9,200	*9,200	*9,200													

*Limited by hydraulic rather than tipping load.

Oscillating axle needs to be locked. Weight of all lifting accessories must be subtracted from the lifting capacities. All lift capacities calculated and rated per ISO 10567:2007. Rated loads do not exceed 87% of hydraulic lift capacity or 75% of tipping load. Heavy Lift Function ON. Lifting capacities are based on the machine standing on a firm uniform supporting surface. The load point is the center line of the bucket pivot mounting pin on the stick. Lift capacity is calculated with VA cylinder completely extracted. The use of a work tool attachment point to handle/lift objects, could affect the machine lift performance.

Always refer to the appropriate Operation and Maintenance Manual for specific product information.

M315 Wheeled Excavator Specifications

Bucket Specifications and Compatibility – Europe

Contact your Cat dealer for special bucket requirements.

	Linkage	Width		Capacity		Weight		Fill	Free on wheels	Rear dozer (blade) lowered	Front stabilizer (outrigger) and rear dozer (blade) lowered	Front dozer (blade) and rear stabilizer (outrigger) lowered	Fully stabilized	Free on wheels	Rear dozer (blade) lowered	Front stabilizer (outrigger) and rear dozer (blade) lowered	Front dozer (blade) and rear stabilizer (outrigger) lowered	Fully stabilized	
		mm	in	m ³	yd ³	kg	lb												%
									Variable Adjustable Boom										
									2.2 m (7'3")					2.5 m (8'2")					
Pin-On (No Quick Coupler)																			
Utility Duty	312	600	24	0.31	0.40	327	722	100	●	●	●	●	●	●	●	●	●	●	●
	312	1200	48	0.76	1.00	515	1,134	100	○	○	●	●	●	○	○	●	●	●	●
General Duty	312	600	24	0.31	0.40	317	699	100	●	●	●	●	●	●	●	●	●	●	●
	312	1000	39	0.60	0.78	439	969	100	⊙	⊙	●	●	●	○	○	●	●	●	●
	312	1100	43	0.68	0.89	474	1,046	100	⊖	⊖	●	●	●	○	⊙	●	●	●	●
General Duty (no adjuster)	312	450	18	0.20	0.26	267	589	100	●	●	●	●	●	●	●	●	●	●	●
	312	500	20	0.24	0.31	287	633	100	●	●	●	●	●	●	●	●	●	●	●
	312	750	30	0.41	0.54	358	790	100	●	●	●	●	●	●	●	●	●	●	●
	312	900	36	0.53	0.69	426	939	100	●	●	●	●	●	⊙	●	●	●	●	●
	312	1050	42	0.65	0.84	479	1,055	100	⊖	⊙	●	●	●	⊖	⊙	●	●	●	●
	312	1200	48	0.76	1.00	519	1,143	100	○	⊖	●	●	●	○	⊖	●	●	●	●
Heavy Duty	312	450	18	0.20	0.27	289	637	100	●	●	●	●	●	●	●	●	●	●	●
	312	1200	48	0.76	0.99	533	1,174	100	○	⊖	●	●	●	○	⊖	●	●	●	●
Severe Duty	312	900	36	0.53	0.69	475	1,047	90	●	●	●	●	●	●	●	●	●	●	●
Ditch Cleaning	312	1800	72	0.68	0.89	540	1,191	100	⊖	⊙	●	●	●	○	⊖	●	●	●	●
	312	1800	71	0.57	0.74	421	928	100	⊙	⊙	●	●	●	⊙	⊙	●	●	●	●
Ditch Cleaning Tilt	312	1800	72	0.60	0.78	724	1,597	100	○	⊙	●	●	●	○	⊖	●	●	●	●
Maximum load with pin-on (payload + bucket)									kg	1510	1758	2824	2941	3602	1437	1671	2680	2789	3411
									lb	3,330	3,875	6,227	6,484	7,940	3,168	3,684	5,909	6,149	7,519

	Linkage	Width		Capacity		Weight		Fill	Free on wheels	Rear dozer (blade) lowered	Front stabilizer (outrigger) and rear dozer (blade) lowered	Front dozer (blade) and rear stabilizer (outrigger) lowered	Fully stabilized	Free on wheels	Rear dozer (blade) lowered	Front stabilizer (outrigger) and rear dozer (blade) lowered	Front dozer (blade) and rear stabilizer (outrigger) lowered	Fully stabilized	
		mm	in	m ³	yd ³	kg	lb												%
									Variable Adjustable Boom										
									2.2 m (7'3")					2.5 m (8'2")					
With Cat Pin Grabber Coupler																			
Utility Duty	312	600	24	0.31	0.40	327	722	100	●	●	●	●	●	●	●	●	●	●	●
	312	1200	48	0.76	1.00	515	1,134	100	◇	○	●	●	●	◇	○	●	●	●	●
General Duty	312	600	24	0.31	0.40	317	699	100	●	●	●	●	●	●	●	●	●	●	●
	312	1000	39	0.60	0.78	439	969	100	⊖	⊙	●	●	●	○	○	●	●	●	●
	312	1100	43	0.68	0.89	474	1,046	100	○	⊖	●	●	●	◇	⊖	●	●	●	●
General Duty (no adjuster)	312	450	18	0.20	0.26	267	589	100	●	●	●	●	●	●	●	●	●	●	●
	312	500	20	0.24	0.31	287	633	100	●	●	●	●	●	●	●	●	●	●	●
	312	750	30	0.41	0.54	358	790	100	●	●	●	●	●	●	●	●	●	●	●
	312	900	36	0.53	0.69	426	939	100	⊖	●	●	●	●	⊖	⊙	●	●	●	●
	312	1050	42	0.65	0.84	479	1,055	100	○	⊖	●	●	●	○	⊖	●	●	●	●
	312	1200	48	0.76	1.00	519	1,143	100	◇	○	●	●	●	◇	○	●	●	●	●
Heavy Duty	312	450	18	0.20	0.27	289	637	100	●	●	●	●	●	●	●	●	●	●	●
	312	1200	48	0.76	0.99	533	1,174	100	◇	○	●	●	●	◇	○	●	●	●	●
Severe Duty	312	900	36	0.53	0.69	475	1,047	90	⊙	●	●	●	●	⊖	●	●	●	●	●
Ditch Cleaning	312	1800	72	0.68	0.89	540	1,191	100	◇	⊖	●	●	●	◇	○	●	●	●	●
	312	1800	71	0.57	0.74	421	928	100	⊖	⊙	●	●	●	⊖	⊙	●	●	●	●
Maximum load with coupler (payload + bucket)									kg	1311	1558	2625	2741	3402	1237	1471	2481	2590	3211
									lb	2,890	3,434	5,787	6,044	7,500	2,727	3,243	5,469	5,709	7,079

Maximum Material Density:

- 2100 kg/m³ (3,500 lb/yd³)
- ⊙ 1800 kg/m³ (3,000 lb/yd³)
- ⊖ 1500 kg/m³ (2,500 lb/yd³)
- 1200 kg/m³ (2,000 lb/yd³)
- ◇ 900 kg/m³ (1,500 lb/yd³)

The above loads are in compliance with hydraulic excavator standard EN474-5:2006+A3:2013, they do not exceed 87% of hydraulic lifting capacity or 75% of tipping capacity with front linkage fully extended at ground line with bucket curled. Capacity based on ISO 7451.

Caterpillar recommends using appropriate work tools to maximize the value customers receive from our products. Use of work tools, including buckets, which are outside of Caterpillar's recommendations or specifications for weight, dimensions, flows, pressures, etc. may result in less-than-optimal performance, including but not limited to reductions in production, stability, reliability, and component durability. Improper use of a work tool resulting in sweeping, prying, twisting and/or catching of heavy loads will reduce the life of the boom and stick.

(continued on next page)

M315 Wheeled Excavator Specifications

Bucket Specifications and Compatibility – Europe (continued)

Contact your Cat dealer for special bucket requirements.

	Linkage	Width		Capacity		Weight		Fill	Free on wheels	Rear dozer (blade) lowered	Front stabilizer (outrigger) and rear dozer (blade) lowered	Front dozer (blade) and rear stabilizer (outrigger) lowered	Fully stabilized	Free on wheels	Rear dozer (blade) lowered	Front stabilizer (outrigger) and rear dozer (blade) lowered	Front dozer (blade) and rear stabilizer (outrigger) lowered	Fully stabilized		
		mm	in	m ³	yd ³	kg	lb												%	
									Variable Adjustable Boom											
									2.2 m (7'3")					2.5 m (8'2")						
With CW-20 Coupler																				
General Duty	CW20	600	24	0.31	0.40	344	758	100	●	●	●	●	●	●	●	●	●	●	●	
	CW20	900	36	0.53	0.69	426	940	100	⊖	●	●	●	●	⊖	⊕	●	●	●	●	
	CW20	1100	43	0.68	0.89	487	1,073	100	○	⊖	●	●	●	◇	⊖	●	●	●	●	
Heavy Duty	CW20	1200	48	0.76	1.00	526	1,159	100	◇	○	●	●	●	◇	○	●	●	●	●	
	General Duty – Leveling Edge	CW20	690	27	0.40	0.52	410	904	100	●	●	●	●	●	●	●	●	●	●	●
		CW20	790	31	0.47	0.61	452	997	100	⊕	●	●	●	●	⊖	●	●	●	●	●
CW20		996	39	0.63	0.83	515	1,135	100	○	⊖	●	●	●	◇	⊖	●	●	●	●	
Ditch Cleaning	CW20	1184	47	0.80	1.05	601	1,324	100	◇	○	●	●	●	X	◇	○	●	●	●	
	CW20	1800	72	0.68	0.89	516	1,138	100	○	⊖	●	●	●	◇	◇	○	●	●	●	
	CW20	1800	72	0.90	1.18	554	1,221	100	X	◇	●	●	●	X	◇	●	●	●	●	
Maximum load with coupler (payload + bucket)									kg	1305	1553	2619	2736	3397	1232	1466	2475	2584	3206	
									lb	2,878	3,423	5,775	6,032	7,488	2,716	3,232	5,457	5,697	7,067	

									Variable Adjustable Boom										
									2.2 m (7'3")					2.5 m (8'2")					
With CW-20S Coupler																			
General Duty	CW20S	450	18	0.20	0.26	302	666	100	●	●	●	●	●	●	●	●	●	●	●
	CW20S	500	20	0.24	0.31	311	686	100	●	●	●	●	●	●	●	●	●	●	●
	CW20S	600	24	0.31	0.40	330	728	100	●	●	●	●	●	●	●	●	●	●	●
	CW20S	750	30	0.41	0.54	377	832	100	●	●	●	●	●	●	●	●	●	●	●
	CW20S	900	36	0.53	0.69	426	940	100	⊖	●	●	●	●	⊖	●	●	●	●	●
	CW20S	1000	39	0.60	0.78	451	995	100	⊖	⊕	●	●	●	○	⊕	●	●	●	●
	CW20S	1100	43	0.68	0.89	487	1,073	100	○	⊖	●	●	●	◇	⊖	●	●	●	●
	CW20S	1200	48	0.76	1.00	516	1,137	100	◇	○	●	●	●	◇	○	●	●	●	●
Heavy Duty	CW20S	500	20	0.24	0.31	321	708	100	●	●	●	●	●	●	●	●	●	●	●
	CW20S	1200	48	0.76	1.00	526	1,160	100	◇	○	●	●	●	◇	○	●	●	●	●
Ditch Cleaning	CW20S	1800	72	0.68	0.89	457	1,008	100	○	⊖	●	●	●	○	⊖	●	●	●	●
Ditch Cleaning Tilt	CW20S	1800	72	0.60	0.78	732	1,614	100	◇	○	●	●	●	◇	○	●	●	●	●
Maximum load with coupler (payload + bucket)									kg	1327	1575	2641	2758	3419	1254	1488	2497	2606	3228
									lb	2,927	3,471	5,823	6,081	7,537	2,764	3,280	5,506	5,746	7,116

Maximum Material Density:

- 2100 kg/m³ (3,500 lb/yd³)
- ⊕ 1800 kg/m³ (3,000 lb/yd³)
- ⊖ 1500 kg/m³ (2,500 lb/yd³)
- 1200 kg/m³ (2,000 lb/yd³)
- ◇ 900 kg/m³ (1,500 lb/yd³)
- X Not Recommended

The above loads are in compliance with hydraulic excavator standard EN474-5:2006+A3:2013, they do not exceed 87% of hydraulic lifting capacity or 75% of tipping capacity with front linkage fully extended at ground line with bucket curled.

Capacity based on ISO 7451.

Caterpillar recommends using appropriate work tools to maximize the value customers receive from our products. Use of work tools, including buckets, which are outside of Caterpillar's recommendations or specifications for weight, dimensions, flows, pressures, etc. may result in less-than-optimal performance, including but not limited to reductions in production, stability, reliability, and component durability. Improper use of a work tool resulting in sweeping, prying, twisting and/or catching of heavy loads will reduce the life of the boom and stick.

(continued on next page)

M315 Wheeled Excavator Specifications

Bucket Specifications and Compatibility – Europe (continued)

Contact your Cat dealer for special bucket requirements.

	Linkage	Width		Capacity		Weight		Fill	Free on wheels	Rear dozer (blade) lowered	Front stabilizer (outrigger) and rear dozer (blade) lowered	Front dozer (blade) and rear stabilizer (outrigger) lowered	Fully stabilized	Free on wheels	Rear dozer (blade) lowered	Front stabilizer (outrigger) and rear dozer (blade) lowered	Front dozer (blade) and rear stabilizer (outrigger) lowered	Fully stabilized	
		mm	in	m ³	yd ³	kg	lb												%
Pin-On, TRS10 CW20										Variable Adjustable Boom									
										2.2 m (7'3")					2.5 m (8'2")				
Grading – General Duty	312	1600	63	0.76	0.99	571	1,259	100	X	X	●	●	●	X	X	●	●	●	
Maximum load with pin-on (payload + bucket)									kg	965	1213	2279	2396	3057	892	1126	2135	2244	2866
									lb	2,128	2,673	5,025	5,282	6,739	1,966	2,482	4,707	4,948	6,318
Pin-On, TRS10 CW20S										Variable Adjustable Boom									
										2.2 m (7'3")					2.5 m (8'2")				
Grading – General Duty	312	1500	59	0.65	0.85	528	1,164	100	X	◇	●	●	●	X	◇	●	●	●	
Trenching – General Duty	312	540	21	0.37	0.48	336	740	100	⊖	●	●	●	●	⊖	●	●	●	●	
Maximum load with pin-on (payload + bucket)									kg	954	1202	2268	2385	3046	881	1115	2124	2233	2855
									lb	2,104	2,649	5,001	5,258	6,714	1,942	2,458	4,683	4,924	6,293
Pin-On, TRS10 S60										Variable Adjustable Boom									
										2.2 m (7'3")					2.5 m (8'2")				
Grading – Heavy Duty	312	1500	59	0.52	0.68	511	1,127	100	◇	⊖	●	●	●	◇	○	●	●	●	
	312	1500	59	0.65	0.85	535	1,179	100	X	○	●	●	●	X	◇	●	●	●	
	312	1600	63	0.75	0.98	576	1,270	100	X	◇	●	●	●	X	◇	●	●	●	
Trenching – Heavy Duty	312	540	21	0.33	0.43	320	706	100	●	●	●	●	●	●	●	●	●	●	
Maximum load with pin-on (payload + bucket)									kg	1225	1495	2815	3554	1131	1389	2651	3354	973	1215
									lb	2,701	3,296	6,207	7,835	2,493	3,063	5,844	7,393	2,145	2,679
With CW20S, TRS10 CW20S										Variable Adjustable Boom									
										2.2 m (7'3")					2.5 m (8'2")				
Grading – Heavy Duty	312	1500	59	0.65	0.85	528	1,164	100	X	X	●	●	●	X	X	●	●	●	
Trenching – Heavy Duty	312	540	21	0.37	0.48	336	740	100	○	⊕	●	●	●	◇	⊖	●	●	●	
Maximum load with coupler (payload + bucket)									kg	761	1009	2075	2192	2853	688	922	1931	2040	2662
									lb	1,679	2,223	4,576	4,833	6,289	1,516	2,033	4,258	4,498	5,868
With S60, TRS10 S60										Variable Adjustable Boom									
										2.2 m (7'3")					2.5 m (8'2")				
Grading – Heavy Duty	312	1500	59	0.52	0.68	511	1,127	100	X	○	●	●	●	X	◇	●	●	●	
	312	1500	59	0.65	0.85	535	1,179	100	X	◇	●	●	●	X	X	●	●	●	
	312	1600	63	0.75	0.98	576	1,270	100	X	X	●	●	●	X	X	●	●	●	
Trenching – Heavy Duty	312	540	21	0.33	0.43	320	706	100	⊕	●	●	●	●	⊖	●	●	●	●	
Maximum load with coupler (payload + bucket)									kg	923	1171	2237	2354	3015	850	1084	2093	2202	2824
									lb	2,036	2,581	4,933	5,190	6,646	1,874	2,390	4,615	4,855	6,225

Maximum Material Density:

- 2100 kg/m³ (3,500 lb/yd³)
- ⊕ 1800 kg/m³ (3,000 lb/yd³)
- ⊖ 1500 kg/m³ (2,500 lb/yd³)
- 1200 kg/m³ (2,000 lb/yd³)
- ◇ 900 kg/m³ (1,500 lb/yd³)
- X Not Recommended

The above loads are in compliance with hydraulic excavator standard EN474-5:2006+A3:2013, they do not exceed 87% of hydraulic lifting capacity or 75% of tipping capacity with front linkage fully extended at ground line with bucket curled. Capacity based on ISO 7451.

Caterpillar recommends using appropriate work tools to maximize the value customers receive from our products. Use of work tools, including buckets, which are outside of Caterpillar's recommendations or specifications for weight, dimensions, flows, pressures, etc. may result in less-than-optimal performance, including but not limited to reductions in production, stability, reliability, and component durability. Improper use of a work tool resulting in sweeping, prying, twisting and/or catching of heavy loads will reduce the life of the boom and stick.

M315 Wheeled Excavator Specifications

Bucket Specifications and Compatibility – North America

Contact your Cat dealer for special bucket requirements.

	Linkage	Width		Capacity		Weight		Fill	Free on wheels	Rear dozer (blade) lowered	Front stabilizer (outrigger) and rear dozer (blade) lowered	Front dozer (blade) and rear stabilizer (outrigger) lowered	Fully stabilized	Free on wheels	Rear dozer (blade) lowered	Front stabilizer (outrigger) and rear dozer (blade) lowered	Front dozer (blade) and rear stabilizer (outrigger) lowered	Fully stabilized								
		mm	in	m ³	yd ³	kg	lb												%							
									Variable Adjustable Boom																	
									2.2 m (7'3")					2.5 m (8'2")												
Pin-On (No Quick Coupler)									●	●	●	●	●	●	●	●	●	●	●	●	●	●	●	●	●	●
General Duty	312	450	18	0.20	0.27	278	614	100	●	●	●	●	●	●	●	●	●	●	●							
	312	600	24	0.31	0.40	320	706	100	●	●	●	●	●	●	●	●	●	●	●							
	312	750	30	0.41	0.54	369	815	100	●	●	●	●	●	●	●	●	●	●	●							
	312	900	36	0.53	0.69	425	936	100	●	●	●	●	●	●	●	●	●	●	●							
	312	1050	42	0.65	0.84	468	1,031	100	⊖	⊖	●	●	●	●	⊖	⊖	●	●	●	●						
General Duty – Wide Tip	312	1200	48	0.76	1.00	508	1,119	100	○	⊖	●	●	●	●	○	⊖	●	●	●	●						
	312	450	18	0.27	0.36	317	700	100	●	●	●	●	●	○	⊖	●	●	●	●							
	312	600	24	0.41	0.53	372	821	100	●	●	●	●	●	○	⊖	●	●	●	●							
	312	900	36	0.71	0.92	478	1,053	100	⊖	⊖	●	●	●	○	⊖	●	●	●	●							
Severe Duty	312	1050	42	0.86	1.13	530	1,168	100	○	⊖	●	●	●	◇	○	●	●	●	●							
	312	600	24	0.31	0.40	374	825	90	●	●	●	●	●	●	●	●	●	●	●							
	312	750	30	0.41	0.54	434	957	90	●	●	●	●	●	●	●	●	●	●	●							
	312	900	36	0.53	0.69	495	1,091	90	●	●	●	●	●	⊖	●	●	●	●	●							
Ditch Cleaning	312	1050	42	0.65	0.84	541	1,192	90	⊖	●	●	●	●	⊖	⊖	●	●	●	●							
	312	1200	48	0.57	0.74	388	855	100	⊖	●	●	●	●	⊖	●	●	●	●	●							
Ditch Cleaning Tilt	312	1500	60	0.74	0.97	455	1,003	100	⊖	⊖	●	●	●	○	⊖	●	●	●	●							
	312	1200	48	0.48	0.63	563	1,240	100	⊖	⊖	●	●	●	○	⊖	●	●	●	●							
									kg	1510	1758	2824	2941	3602	1437	1671	2680	2789	3411							
									lb	3,330	3,875	6,227	6,484	7,940	3,168	3,684	5,909	6,149	7,519							

	Linkage	Width		Capacity		Weight		Fill	Free on wheels	Rear dozer (blade) lowered	Front stabilizer (outrigger) and rear dozer (blade) lowered	Front dozer (blade) and rear stabilizer (outrigger) lowered	Fully stabilized	Free on wheels	Rear dozer (blade) lowered	Front stabilizer (outrigger) and rear dozer (blade) lowered	Front dozer (blade) and rear stabilizer (outrigger) lowered	Fully stabilized								
		mm	in	m ³	yd ³	kg	lb												%							
									Variable Adjustable Boom																	
									2.2 m (7'3")					2.5 m (8'2")												
With Cat Pin Grabber Coupler									●	●	●	●	●	●	●	●	●	●	●	●	●	●	●	●	●	●
General Duty	312	450	18	0.20	0.27	278	614	100	●	●	●	●	●	●	●	●	●	●	●							
	312	600	24	0.31	0.40	320	706	100	●	●	●	●	●	●	●	●	●	●	●							
	312	750	30	0.41	0.54	369	815	100	●	●	●	●	●	●	●	●	●	●	●							
	312	900	36	0.53	0.69	425	936	100	⊖	●	●	●	●	⊖	⊖	●	●	●	●							
	312	1050	42	0.65	0.84	468	1,031	100	○	⊖	●	●	●	○	⊖	●	●	●	●							
General Duty – Wide Tip	312	1200	48	0.76	1.00	508	1,119	100	◇	○	●	●	●	◇	○	●	●	●	●							
	312	450	18	0.27	0.36	317	700	100	●	●	●	●	●	●	●	●	●	●	●							
	312	600	24	0.41	0.53	372	821	100	●	●	●	●	●	●	●	●	●	●	●							
	312	750	30	0.55	0.72	425	936	100	⊖	●	●	●	●	⊖	⊖	●	●	●	●							
Severe Duty	312	900	36	0.71	0.92	478	1,053	100	○	⊖	●	●	●	◇	○	●	●	●	●							
	312	1050	42	0.86	1.13	530	1,168	100	◇	○	●	●	●	X	◇	●	●	●	●							
	312	600	24	0.31	0.40	374	825	90	●	●	●	●	●	●	●	●	●	●	●							
	312	750	30	0.41	0.54	434	957	90	●	●	●	●	●	●	●	●	●	●	●							
Ditch Cleaning	312	900	36	0.53	0.69	495	1,091	90	⊖	●	●	●	●	⊖	●	●	●	●	●							
	312	1050	42	0.65	0.84	541	1,192	90	○	⊖	●	●	●	○	⊖	●	●	●	●							
Ditch Cleaning Tilt	312	1200	48	0.57	0.74	388	855	100	⊖	●	●	●	●	⊖	●	●	●	●	●							
	312	1500	60	0.74	0.97	455	1,003	100	○	⊖	●	●	●	◇	○	●	●	●	●							
Ditch Cleaning Tilt	312	1200	48	0.48	0.63	563	1,240	100	⊖	●	●	●	●	○	⊖	●	●	●	●							
	312	1500	60	0.57	0.75	646	1,424	100	○	⊖	●	●	●	◇	⊖	●	●	●	●							
									kg	1311	1558	2625	2741	3402	1237	1471	2481	2590	3211							
									lb	2,890	3,434	5,787	6,044	7,500	2,727	3,243	5,469	5,709	7,079							

Maximum Material Density:

- 2100 kg/m³ (3,500 lb/yd³)
- ⊖ 1800 kg/m³ (3,000 lb/yd³)
- 1500 kg/m³ (2,500 lb/yd³)
- ◇ 1200 kg/m³ (2,000 lb/yd³)
- ◇ 900 kg/m³ (1,500 lb/yd³)
- X Not Recommended

The above loads are in compliance with hydraulic excavator standard EN474-5:2006+A3:2013, they do not exceed 87% of hydraulic lifting capacity or 75% of tipping capacity with front linkage fully extended at ground line with bucket curled. Capacity based on ISO 7451.

Caterpillar recommends using appropriate work tools to maximize the value customers receive from our products. Use of work tools, including buckets, which are outside of Caterpillar's recommendations or specifications for weight, dimensions, flows, pressures, etc. may result in less-than-optimal performance, including but not limited to reductions in production, stability, reliability, and component durability. Improper use of a work tool resulting in sweeping, prying, twisting and/or catching of heavy loads will reduce the life of the boom and stick.

M315 Wheeled Excavator Specifications

Bucket Specifications and Compatibility – Aus-NZ

Contact your Cat dealer for special bucket requirements.

	Linkage	Width		Capacity		Weight		Fill	Free on wheels	Rear dozer (blade) lowered	Front stabilizer (outrigger) and rear dozer (blade) lowered	Front dozer (blade) and rear stabilizer (outrigger) lowered	Fully stabilized	Free on wheels	Rear dozer (blade) lowered	Front stabilizer (outrigger) and rear dozer (blade) lowered	Front dozer (blade) and rear stabilizer (outrigger) lowered	Fully stabilized							
		mm	in	m ³	yd ³	kg	lb												%						
									Variable Adjustable Boom																
									2.2 m (7'3")					2.5 m (8'2")											
Pin-On (No Quick Coupler)									●	●	●	●	●	●	●	●	●	●	●	●	●	●	●	●	●
General Duty (no adjuster)	312	450	18	0.20	0.26	267	589	100	●	●	●	●	●	●	●	●	●	●	●						
	312	500	20	0.24	0.31	287	633	100	●	●	●	●	●	●	●	●	●	●	●						
	312	600	24	0.31	0.40	310	684	100	●	●	●	●	●	●	●	●	●	●	●						
	312	750	30	0.41	0.54	358	790	100	●	●	●	●	●	●	●	●	●	●	●						
	312	750	30	0.41	0.54	413	911	100	●	●	●	●	●	●	●	●	●	●	●						
	312	900	36	0.53	0.69	426	939	100	●	●	●	●	●	⊙	●	●	●	●	●						
	312	900	36	0.53	0.69	454	1,001	100	⊙	●	●	●	●	⊙	●	●	●	●	●						
	312	1050	42	0.65	0.84	479	1,055	100	⊖	⊙	●	●	●	⊖	⊙	●	●	●	●						
Ditch Cleaning Tilt	312	1500	60	0.74	0.98	704	1,553	100	◇	○	●	●	●	◇	○	●	●	●	●						
	312	1800	72	0.90	1.18	784	1,728	100	X	◇	●	●	●	X	◇	●	●	●	●						
Maximum load with pin-on (payload + bucket)									kg	1510	1758	2824	2941	3602	1437	1671	2680	2789	3411						
									lb	3,330	3,875	6,227	6,484	7,940	3,168	3,684	5,909	6,149	7,519						

	Linkage	Width		Capacity		Weight		Fill	Free on wheels	Rear dozer (blade) lowered	Front stabilizer (outrigger) and rear dozer (blade) lowered	Front dozer (blade) and rear stabilizer (outrigger) lowered	Fully stabilized	Free on wheels	Rear dozer (blade) lowered	Front stabilizer (outrigger) and rear dozer (blade) lowered	Front dozer (blade) and rear stabilizer (outrigger) lowered	Fully stabilized							
		mm	in	m ³	yd ³	kg	lb												%						
									Variable Adjustable Boom																
									2.2 m (7'3")					2.5 m (8'2")											
With Cat Pin Grabber Coupler									●	●	●	●	●	●	●	●	●	●	●	●	●	●	●	●	●
General Duty (no adjuster)	312	450	18	0.20	0.26	267	589	100	●	●	●	●	●	●	●	●	●	●	●						
	312	500	20	0.24	0.31	287	633	100	●	●	●	●	●	●	●	●	●	●	●						
	312	600	24	0.31	0.40	310	684	100	●	●	●	●	●	●	●	●	●	●	●						
	312	750	30	0.41	0.54	358	790	100	●	●	●	●	●	●	●	●	●	●	●						
	312	750	30	0.41	0.54	413	911	100	●	●	●	●	●	●	●	●	●	●	●						
	312	900	36	0.53	0.69	426	939	100	⊖	●	●	●	●	⊖	⊙	●	●	●	●						
	312	900	36	0.53	0.69	454	1,001	100	⊖	●	●	●	●	⊖	⊙	●	●	●	●						
	312	1050	42	0.65	0.84	479	1,055	100	○	⊖	●	●	●	○	⊖	●	●	●	●						
Ditch Cleaning Tilt	312	1500	60	0.74	0.98	704	1,553	100	X	○	●	●	●	X	◇	●	●	●	●						
	312	1800	72	0.90	1.18	784	1,728	100	X	◇	●	●	●	X	X	⊙	●	●	●						
Maximum load with coupler (payload + bucket)									kg	1311	1558	2625	2741	3402	1237	1471	2481	2590	3211						
									lb	2,890	3,434	5,787	6,044	7,500	2,727	3,243	5,469	5,709	7,079						

Maximum Material Density:

- 2100 kg/m³ (3,500 lb/yd³)
- ⊙ 1800 kg/m³ (3,000 lb/yd³)
- ⊖ 1500 kg/m³ (2,500 lb/yd³)
- 1200 kg/m³ (2,000 lb/yd³)
- ◇ 900 kg/m³ (1,500 lb/yd³)
- X Not Recommended

The above loads are in compliance with hydraulic excavator standard EN474-5:2006+A3:2013, they do not exceed 87% of hydraulic lifting capacity or 75% of tipping capacity with front linkage fully extended at ground line with bucket curled. Capacity based on ISO 7451.

Caterpillar recommends using appropriate work tools to maximize the value customers receive from our products. Use of work tools, including buckets, which are outside of Caterpillar's recommendations or specifications for weight, dimensions, flows, pressures, etc. may result in less-than-optimal performance, including but not limited to reductions in production, stability, reliability, and component durability. Improper use of a work tool resulting in sweeping, prying, twisting and/or catching of heavy loads will reduce the life of the boom and stick.

M315 Wheeled Excavator Specifications

Attachments Offering Guide – North America

Not all Attachments are available in all regions. Consult your Cat dealer for configurations available in your region.

Match
 No Match
 1800 kg/m³ (3,000 lb/yd³)
 1200 kg/m³ (2,000 lb/yd³)

PIN-ON ATTACHMENTS

Undercarriage		Front Blade; Rear Outriggers		Front Outriggers; Rear Blade		Front and Rear Outriggers		Rear Blade	
Boom Type		Variable Adjustable Boom		Variable Adjustable Boom		Variable Adjustable Boom		Variable Adjustable Boom	
Stick Length		2.20 m (7'3")	2.50 m (8'2")	2.20 m (7'3")	2.50 m (8'2")	2.20 m (7'3")	2.50 m (8'2")	2.20 m (7'3")	2.50 m (8'2")
Hydraulic Hammers	H110 GC	✓	✓	✓	✓	✓	✓	✓	✓
	H110 GC S	✓	✓	✓	✓	✓	✓	✓	✓
	H110 S	✓	✓	✓	✓	✓	✓	✓	✓
	H115 GC S	✓	✓	✓	✓	✓	✓	✓	✓
	H115 S	✓	✓	✓	✓	✓	✓	✓	✓
Compactors (Vibratory Plate)	CVP75	✓	✓	✓	✓	✓	✓	✓	✓
Orange Peel Grapples	GSH420-500	●	●	●	●	●	●		
	GSH420-600	●	●	●	●	●	●		
	GSH420-750	●	○	●	○	●	○		
	GSH520-500	●	●	●	●	●	●		
	GSH520-600	●	○	●	○	●	○		
	GSH520-750	○	○	○	○	○	○		

CAT PIN GRABBER COUPLER ATTACHMENTS

Undercarriage		Front Blade; Rear Outriggers		Front Outriggers; Rear Blade		Front and Rear Outriggers		Rear Blade	
Boom Type		Variable Adjustable Boom		Variable Adjustable Boom		Variable Adjustable Boom		Variable Adjustable Boom	
Stick Length		2.20 m (7'3")	2.50 m (8'2")	2.20 m (7'3")	2.50 m (8'2")	2.20 m (7'3")	2.50 m (8'2")	2.20 m (7'3")	2.50 m (8'2")
Hydraulic Hammers	H110 GC	✓	✓	✓	✓	✓	✓	✓	✓
	H110 GC S	✓	✓	✓	✓	✓	✓	✓	✓
	H110 S	✓	✓	✓	✓	✓	✓	✓	✓
	H115 S	✓		✓		✓		✓	
Compactors (Vibratory Plate)	CVP75	✓	✓	✓	✓	✓	✓	✓	✓

(continued on next page)

M315 Wheeled Excavator Specifications

Attachments Offering Guide – North America *(continued)*

Not all Attachments are available in all regions. Consult your Cat dealer for configurations available in your region.

Match No Match

S60 DEDICATED COUPLER ATTACHMENTS

Undercarriage		Front Blade; Rear Outriggers		Front Outriggers; Rear Blade		Front and Rear Outriggers		Rear Blade	
Boom Type		Variable Adjustable Boom		Variable Adjustable Boom		Variable Adjustable Boom		Variable Adjustable Boom	
Stick Length		2.20 m (7'3")	2.50 m (8'2")	2.20 m (7'3")	2.50 m (8'2")	2.20 m (7'3")	2.50 m (8'2")	2.20 m (7'3")	2.50 m (8'2")
Hydraulic Hammers	H110 GC	✓	✓	✓	✓	✓	✓	✓	✓
	H110 GC S	✓	✓	✓	✓	✓	✓	✓	✓
	H110 S	✓	✓	✓	✓	✓	✓	✓	✓
	H115 S	✓		✓		✓		✓	
Compactors (Vibratory Plate)	CVP75	✓	✓	✓	✓	✓	✓	✓	✓

HCS60 DEDICATED COUPLER ATTACHMENTS

Undercarriage		Front Blade; Rear Outriggers		Front Outriggers; Rear Blade		Front and Rear Outriggers		Rear Blade	
Boom Type		Variable Adjustable Boom		Variable Adjustable Boom		Variable Adjustable Boom		Variable Adjustable Boom	
Stick Length		2.20 m (7'3")	2.50 m (8'2")	2.20 m (7'3")	2.50 m (8'2")	2.20 m (7'3")	2.50 m (8'2")	2.20 m (7'3")	2.50 m (8'2")
Hydraulic Hammers	H110 S	✓	✓	✓	✓	✓	✓	✓	✓
	H115 S	✓	✓	✓	✓	✓	✓	✓	✓
Compactors (Vibratory Plate)	CVP75	✓	✓	✓	✓	✓	✓	✓	✓

HCS65 DEDICATED COUPLER ATTACHMENTS

Undercarriage		Front Blade; Rear Outriggers		Front Outriggers; Rear Blade		Front and Rear Outriggers		Rear Blade	
Boom Type		Variable Adjustable Boom		Variable Adjustable Boom		Variable Adjustable Boom		Variable Adjustable Boom	
Stick Length		2.20 m (7'3")	2.50 m (8'2")	2.20 m (7'3")	2.50 m (8'2")	2.20 m (7'3")	2.50 m (8'2")	2.20 m (7'3")	2.50 m (8'2")
Hydraulic Hammers	H110 S	✓	✓	✓	✓	✓	✓	✓	✓
	H115 S	✓	✓	✓	✓	✓	✓	✓	✓
Compactors (Vibratory Plate)	CVP75	✓	✓	✓	✓	✓	✓	✓	✓

(continued on next page)

M315 Wheeled Excavator Specifications

Attachments Offering Guide – North America (continued)

Not all Attachments are available in all regions. Consult your Cat dealer for configurations available in your region.

Match

Some attachments require more hydraulic flow and are best suited with a machine that has HP2 circuits and a tiltrotator with a high flow swivel. Check the hydraulic capability of your machine and tiltrotator and the requirements of your attachment to ensure a proper match.

TRS10 (PIN-ON TOP/S60 BOTTOM) ATTACHMENTS

Undercarriage		Front Blade; Rear Outriggers	Front Outriggers; Rear Blade	Front and Rear Outriggers	Rear Blade
Boom Type		Variable Adjustable Boom	Variable Adjustable Boom	Variable Adjustable Boom	Variable Adjustable Boom
Stick Length		2.20 m (7'3")	2.20 m (7'3")	2.20 m (7'3")	2.20 m (7'3")
Compactors (Vibratory Plate)	CVP75	✓	✓	✓	✓

NOTE: Use hammers on tiltrotators less than 10% of working hours per year or maximum 200 hours per year. Refer to your Operation and Maintenance Manual for recommended hydraulic flow requirements.

Some attachments require more hydraulic flow and are best suited with a machine that has HP2 circuits and a tiltrotator with a high flow swivel. Check the hydraulic capability of your machine and tiltrotator and the requirements of your attachment to ensure a proper match.

TRS10 (PIN-ON TOP/HCS60 BOTTOM) ATTACHMENTS

Undercarriage		Front Blade; Rear Outriggers	Front Outriggers; Rear Blade	Front and Rear Outriggers	Rear Blade
Boom Type		Variable Adjustable Boom	Variable Adjustable Boom	Variable Adjustable Boom	Variable Adjustable Boom
Stick Length		2.20 m (7'3")	2.20 m (7'3")	2.20 m (7'3")	2.20 m (7'3")
Compactors (Vibratory Plate)	CVP75	✓	✓	✓	✓

NOTE: Use hammers on tiltrotators less than 10% of working hours per year or maximum 200 hours per year. Refer to your Operation and Maintenance Manual for recommended hydraulic flow requirements.

M315 Wheeled Excavator Specifications

Attachments Offering Guide – Europe

Not all Attachments are available in all regions. Consult your Cat dealer for configurations available in your region.

Match
 No Match
 1800 kg/m³ (3,000 lb/yd³)
 1200 kg/m³ (2,000 lb/yd³)
 600 kg/m³ (1,000 lb/yd³)

PIN-ON ATTACHMENTS

Undercarriage		Front Blade; Rear Outriggers		Front Outriggers; Rear Blade		Front and Rear Outriggers		Rear Blade	
		Variable Adjustable Boom		Variable Adjustable Boom		Variable Adjustable Boom		Variable Adjustable Boom	
		2.20 m (7'3")	2.50 m (8'2")	2.20 m (7'3")	2.50 m (8'2")	2.20 m (7'3")	2.50 m (8'2")	2.20 m (7'3")	2.50 m (8'2")
Hydraulic Hammers	H110 GC S	✓	✓	✓	✓	✓	✓	✓	✓
	H110 S	✓	✓	✓	✓	✓	✓	✓	✓
	H115 GC S	✓	✓	✓	✓	✓	✓	✓	✓
	H115 S	✓	✓	✓	✓	✓	✓	✓	✓
Compactors (Vibratory Plate)	CVP75	✓	✓	✓	✓	✓	✓	✓	✓
Orange Peel Grapples	GSH420-500	●	●	●	●	●	●		
	GSH420-600	●	●	●	●	●	●		
	GSH420-750	●	○	●	○	●	○		
	GSH520-500	●	●	●	●	●	●		
	GSH520-600	●	○	●	○	●	○		
	GSH520-750	○	○	○	○	○	○		
	GSV420-400	●	●	●	●	●	●	○	○
	GSV420-500	●	●	●	●	●	●	○	
	GSV420-600	●	●	●	●	●	●		
	GSV420-750	●	○	●	○	●	○		
	GSV420-1250	◇	◇	◇	◇	◇	◇		
	GSV520-400	●	●	●	●	●	●	○	
	GSV520-500	●	●	●	●	●	●		
	GSV520-600	●	●	●	●	●	●		
	GSV520-750	●	○	○	○	●	○		
	GSV520 GC-400	●	●	●	●	●	●	○	○
	GSV520 GC-500	●	●	●	●	●	●		
	GSV520 GC-600	●	●	●	●	●	●		
GSV520 GC-750	●	○	●	○	●	○			

CAT PIN GRABBER COUPLER ATTACHMENTS

Undercarriage		Front Blade; Rear Outriggers		Front Outriggers; Rear Blade		Front and Rear Outriggers		Rear Blade	
		Variable Adjustable Boom		Variable Adjustable Boom		Variable Adjustable Boom		Variable Adjustable Boom	
		2.20 m (7'3")	2.50 m (8'2")	2.20 m (7'3")	2.50 m (8'2")	2.20 m (7'3")	2.50 m (8'2")	2.20 m (7'3")	2.50 m (8'2")
Hydraulic Hammers	H110 GC S	✓	✓	✓	✓	✓	✓	✓	✓
	H110 S	✓	✓	✓	✓	✓	✓	✓	✓
	H115 S	✓		✓		✓		✓	
Compactors (Vibratory Plate)	CVP75	✓	✓	✓	✓	✓	✓	✓	✓

(continued on next page)

M315 Wheeled Excavator Specifications

Attachments Offering Guide – Europe (continued)

Not all Attachments are available in all regions. Consult your Cat dealer for configurations available in your region.

Match No Match

CW-20S DEDICATED COUPLER ATTACHMENTS

Undercarriage		Front Blade; Rear Outriggers		Front Outriggers; Rear Blade		Front and Rear Outriggers		Rear Blade	
Boom Type		Variable Adjustable Boom		Variable Adjustable Boom		Variable Adjustable Boom		Variable Adjustable Boom	
Stick Length		2.20 m (7'3")	2.50 m (8'2")	2.20 m (7'3")	2.50 m (8'2")	2.20 m (7'3")	2.50 m (8'2")	2.20 m (7'3")	2.50 m (8'2")
Hydraulic Hammers	H110 S	✓		✓		✓		✓	
Compactors (Vibratory Plate)	CVP75	✓	✓	✓	✓	✓	✓	✓	✓

CW-20 DEDICATED COUPLER ATTACHMENTS

Undercarriage		Front Blade; Rear Outriggers		Front Outriggers; Rear Blade		Front and Rear Outriggers		Rear Blade	
Boom Type		Variable Adjustable Boom		Variable Adjustable Boom		Variable Adjustable Boom		Variable Adjustable Boom	
Stick Length		2.20 m (7'3")	2.50 m (8'2")	2.20 m (7'3")	2.50 m (8'2")	2.20 m (7'3")	2.50 m (8'2")	2.20 m (7'3")	2.50 m (8'2")
Hydraulic Hammers	H110 S	✓	✓	✓	✓	✓	✓	✓	✓
Compactors (Vibratory Plate)	CVP75	✓	✓	✓	✓	✓	✓	✓	✓

S60 DEDICATED COUPLER ATTACHMENTS

Undercarriage		Front Blade; Rear Outriggers		Front Outriggers; Rear Blade		Front and Rear Outriggers		Rear Blade	
Boom Type		Variable Adjustable Boom		Variable Adjustable Boom		Variable Adjustable Boom		Variable Adjustable Boom	
Stick Length		2.20 m (7'3")	2.50 m (8'2")	2.20 m (7'3")	2.50 m (8'2")	2.20 m (7'3")	2.50 m (8'2")	2.20 m (7'3")	2.50 m (8'2")
Hydraulic Hammers	H110 GC S	✓	✓	✓	✓	✓	✓	✓	✓
	H110 S	✓	✓	✓	✓	✓	✓	✓	✓
	H115 S	✓		✓		✓		✓	
Compactors (Vibratory Plate)	CVP75	✓	✓	✓	✓	✓	✓	✓	✓

HCS60 DEDICATED COUPLER ATTACHMENTS

Undercarriage		Front Blade; Rear Outriggers		Front Outriggers; Rear Blade		Front and Rear Outriggers		Rear Blade	
Boom Type		Variable Adjustable Boom		Variable Adjustable Boom		Variable Adjustable Boom		Variable Adjustable Boom	
Stick Length		2.20 m (7'3")	2.50 m (8'2")	2.20 m (7'3")	2.50 m (8'2")	2.20 m (7'3")	2.50 m (8'2")	2.20 m (7'3")	2.50 m (8'2")
Hydraulic Hammers	H110 S	✓	✓	✓	✓	✓	✓	✓	✓
	H115 S	✓	✓	✓	✓	✓	✓	✓	✓
Compactors (Vibratory Plate)	CVP75	✓	✓	✓	✓	✓	✓	✓	✓

(continued on next page)

M315 Wheeled Excavator Specifications

Attachments Offering Guide – Europe (continued)

Not all Attachments are available in all regions. Consult your Cat dealer for configurations available in your region.

Match No Match

HCS65 DEDICATED COUPLER ATTACHMENTS

Undercarriage		Front Blade; Rear Outriggers		Front Outriggers; Rear Blade		Front and Rear Outriggers		Rear Blade	
Boom Type		Variable Adjustable Boom		Variable Adjustable Boom		Variable Adjustable Boom		Variable Adjustable Boom	
Stick Length		2.20 m (7'3")	2.50 m (8'2")	2.20 m (7'3")	2.50 m (8'2")	2.20 m (7'3")	2.50 m (8'2")	2.20 m (7'3")	2.50 m (8'2")
Hydraulic Hammers	H110 S	✓	✓	✓	✓	✓	✓	✓	✓
	H115 S	✓	✓	✓	✓	✓	✓	✓	✓
Compactors (Vibratory Plate)	CVP75	✓	✓	✓	✓	✓	✓	✓	✓

Some attachments require more hydraulic flow and are best suited with a machine that has HP2 circuits and a tiltrotator with a high flow swivel. Check the hydraulic capability of your machine and tiltrotator and the requirements of your attachment to ensure a proper match.

TRS10 (PIN-ON TOP/S60 BOTTOM) ATTACHMENTS

Undercarriage		Front Blade; Rear Outriggers		Front Outriggers; Rear Blade		Front and Rear Outriggers		Rear Blade	
Boom Type		Variable Adjustable Boom		Variable Adjustable Boom		Variable Adjustable Boom		Variable Adjustable Boom	
Stick Length		2.20 m (7'3")	2.50 m (8'2")	2.20 m (7'3")	2.50 m (8'2")	2.20 m (7'3")	2.50 m (8'2")	2.20 m (7'3")	2.50 m (8'2")
Compactors (Vibratory Plate)	CVP75	✓		✓		✓		✓	

NOTE: Use hammers on tiltrotators less than 10% of working hours per year or maximum 200 hours per year. Refer to your Operation and Maintenance Manual for recommended hydraulic flow requirements.

Some attachments require more hydraulic flow and are best suited with a machine that has HP2 circuits and a tiltrotator with a high flow swivel. Check the hydraulic capability of your machine and tiltrotator and the requirements of your attachment to ensure a proper match.

TRS10 (PIN-ON TOP/HCS60 BOTTOM) ATTACHMENTS

Undercarriage		Front Blade; Rear Outriggers		Front Outriggers; Rear Blade		Front and Rear Outriggers		Rear Blade	
Boom Type		Variable Adjustable Boom		Variable Adjustable Boom		Variable Adjustable Boom		Variable Adjustable Boom	
Stick Length		2.20 m (7'3")	2.50 m (8'2")	2.20 m (7'3")	2.50 m (8'2")	2.20 m (7'3")	2.50 m (8'2")	2.20 m (7'3")	2.50 m (8'2")
Compactors (Vibratory Plate)	CVP75	✓		✓		✓		✓	

NOTE: Use hammers on tiltrotators less than 10% of working hours per year or maximum 200 hours per year. Refer to your Operation and Maintenance Manual for recommended hydraulic flow requirements.

M315 Wheeled Excavator Specifications

Attachments Offering Guide – Aus-NZ

Not all Attachments are available in all regions. Consult your Cat dealer for configurations available in your region.

Match No Match

PIN-ON ATTACHMENTS

Undercarriage		Front Blade; Rear Outriggers		Front Outriggers; Rear Blade		Front and Rear Outriggers		Rear Blade	
		Variable Adjustable Boom		Variable Adjustable Boom		Variable Adjustable Boom		Variable Adjustable Boom	
Boom Type		2.20 m (7'3")	2.50 m (8'2")	2.20 m (7'3")	2.50 m (8'2")	2.20 m (7'3")	2.50 m (8'2")	2.20 m (7'3")	2.50 m (8'2")
Hydraulic Hammers	H110 GC	✓	✓	✓	✓	✓	✓	✓	✓
	H110 GC S	✓	✓	✓	✓	✓	✓	✓	✓
	H110 S	✓	✓	✓	✓	✓	✓	✓	✓
	H115 GC S	✓	✓	✓	✓	✓	✓	✓	✓
	H115 S	✓	✓	✓	✓	✓	✓	✓	✓
Compactors (Vibratory Plate)	CVP75	✓	✓	✓	✓	✓	✓	✓	✓

CAT PIN GRABBER COUPLER ATTACHMENTS

Undercarriage		Front Blade; Rear Outriggers		Front Outriggers; Rear Blade		Front and Rear Outriggers		Rear Blade	
		Variable Adjustable Boom		Variable Adjustable Boom		Variable Adjustable Boom		Variable Adjustable Boom	
Boom Type		2.20 m (7'3")	2.50 m (8'2")	2.20 m (7'3")	2.50 m (8'2")	2.20 m (7'3")	2.50 m (8'2")	2.20 m (7'3")	2.50 m (8'2")
Hydraulic Hammers	H110 GC	✓	✓	✓	✓	✓	✓	✓	✓
	H110 GC S	✓	✓	✓	✓	✓	✓	✓	✓
	H110 S	✓	✓	✓	✓	✓	✓	✓	✓
	H115 S	✓		✓		✓		✓	
Compactors (Vibratory Plate)	CVP75	✓	✓	✓	✓	✓	✓	✓	✓

Some attachments require more hydraulic flow and are best suited with a machine that has HP2 circuits and a tiltrotator with a high flow swivel. Check the hydraulic capability of your machine and tiltrotator and the requirements of your attachment to ensure a proper match.

TRS10 (PIN-ON TOP/S60 BOTTOM) ATTACHMENTS

Undercarriage		Front Blade; Rear Outriggers		Front Outriggers; Rear Blade		Front and Rear Outriggers		Rear Blade	
		Variable Adjustable Boom		Variable Adjustable Boom		Variable Adjustable Boom		Variable Adjustable Boom	
Boom Type		2.20 m (7'3")		2.20 m (7'3")		2.20 m (7'3")		2.20 m (7'3")	
Compactors (Vibratory Plate)	CVP75	✓		✓		✓		✓	

NOTE: Use hammers on tiltrotators less than 10% of working hours per year or maximum 200 hours per year. Refer to your Operation and Maintenance Manual for recommended hydraulic flow requirements.

M315 Standard and Optional Equipment

Standard and Optional Equipment

Standard and optional equipment may vary. Consult your Cat dealer for details.

	Standard	Optional		Standard	Optional
BOOM, STICKS AND LINKAGES			HYDRAULIC SYSTEM		
5.2 m (17'1") Variable Adjustable boom	✓		Boom, stick and bucket drift reduction valves	✓	
2.2 m (7'3") stick		✓	Boom/stick lowering check valves		✓
2.5 m (8'2") stick		✓	Overload warning	✓	
Bucket linkage, 312-family with lifting eye		✓	Electronic main control valve	✓	
Bucket linkage, 312-family without lifting eye		✓	Automatic hydraulic oil warm up	✓	
ELECTRICAL SYSTEM			Element type main hydraulic filter	✓	
LED lights on boom and cab	✓		One-slider joysticks	✓	
LED lights on chassis (left-hand, right-hand) and counterweight	✓		Two-slider joysticks		✓
Programmable time-delay LED working lights	✓		Advanced Tool Control (one/two way high-pressure flow with drift reduction)	✓	
Roading and indicator lights, front and rear	✓		Second high pressure auxiliary circuit (one/two way high-pressure flow)		✓
Maintenance free batteries	✓		Medium pressure auxiliary circuit (one/two way medium-pressure flow)		✓
Centralized electrical disconnect switch	✓		Heavy lift mode	✓	
Electrical refueling pump		✓	Quick coupler circuit for Cat pin grabber and CW-dedicated coupler		✓
ENGINE			SmartBoom™		✓
Cat C4.4 diesel engine	✓		Ride control		✓
Power mode selector	✓		Cat tiltrotator support		✓
One-touch low idle with automatic engine speed control	✓		Joystick steering		✓
Automatic engine idle shutdown	✓		Separate dedicated swing pump	✓	
Work up to 3000 m (9,840 ft) altitude capability above sea level without engine power de-rating	✓		Automatic swing brake	✓	
52° C (125° F) high-ambient cooling capacity	✓		Cat BIO HYDO™ Advanced biodegradable hydraulic oil		✓
Cold starting capability for -18° C (0° F)	✓		Adjustable hydraulic aggressiveness	✓	
Double element air filter with integrated precleaner	✓		Pattern changer	✓	
Electric fuel priming pump	✓				
Biodiesel capability up to B20	✓				

(continued on next page)

M315 Standard and Optional Equipment

Standard and Optional Equipment (continued)

Standard and optional equipment may vary. Consult your Cat dealer for details.

	Standard	Optional		Standard	Optional
SAFETY AND SECURITY			UNDERCARRIAGE AND STRUCTURES		
Rear and right-side-view cameras	✓		All wheel drive	✓	
360° visibility		✓	Automatic brake/axle lock	✓	
Wide angle mirrors	✓		Creeper speed	✓	
Heated and remotely adjustable mirrors		✓	Electronic swing and travel lock	✓	
Travel alarm		✓	Heavy-duty axles, advanced disc brake system and travel motor, adjustable braking force	✓	
Signal/warning horn		✓	Oscillating front axle, lockable, with remote greasing point	✓	
Rotating beacon on cab and chassis		✓	10.00-20 16 PR, dual tires		✓
Cat Asset tracker		✓	315/70R22.5, no gap dual tires		✓
Neutral lever (lock out) for all controls	✓		445/70R 19.5, single tires		✓
Ground-level accessible secondary engine shutoff switch in cab	✓		Steps with tool box in undercarriage (left and right)	✓	
Bluetooth® receiver	✓		Two-piece drive shaft	✓	
Anti-skid plate and countersunk bolts on service platform	✓		Two speed hydrostatic transmission	✓	
SERVICE AND MAINTENANCE			Rear blade (radial) undercarriage		✓
Scheduled Oil Sampling (S·O·S SM) ports	✓		Rear blade (radial), HCS undercarriage		✓
Automatic lubrication system for implement and swing system		✓	Rear blade undercarriage		✓
TECHNOLOGY			Rear blade, Trailer undercarriage		✓
Cat Product Link™	✓		Rear blade (radial)/front outrigger undercarriage		✓
Remote Flash/Troubleshoot capability	✓		Rear blade/front outrigger undercarriage		✓
Cat Grade with 2D		✓	Rear outrigger/front blade (radial) undercarriage		✓
Cat Grade with Advanced 2D		✓	Rear outrigger/front blade undercarriage		✓
Cat Grade with 3D		✓	Rear outrigger/front outrigger undercarriage		✓
Payload		✓	Fenders, front and rear, synthetic		✓
2D E-Fence		✓	Travel restraint bracket for grapple/clamshell		✓
			4000 kg (8,820 lb) counterweight	✓	

M315 Attachments

Dealer Installed Kits and Attachments

Attachments may vary. Consult your Cat dealer for details.

CAB

- 75 mm (3") retractable seat belt

SAFETY AND SECURITY

- Bluetooth key fob

GUARDS

- Falling object guard system (not compatible with cab light cover, rain protector)
- Mesh guard full front (not compatible with cab light cover, rain protector)

	Deluxe	Premium
Sound-suppressed ROPS cab	●	●
Heated seat with air-adjustable suspension	●	X
Heated and cooled seat with automatic adjustable suspension	X	●
Height-adjustable console, infinite with no tool	●	●
High-resolution 254 mm (10") LCD touchscreen monitor	●	●
Mechanical mirror	●	X
Electrical mirror	X	●
Automatic bi-level air conditioner	●	●
Jog dial and shortcut keys for monitor control	●	●
Keyless push-to-start engine control	●	●
51 mm (2") orange seat belt	●	●
Unfastened seat belt warning	●	●
Bluetooth integrated radio (including USB, auxiliary port and microphone)	●	●
Auxiliary relay	○	○
2 × 12V DC outlets	●	●
Document storage	●	●
Cup and bottle holders	●	●
Openable two-piece front window (laminated)	●	○
Fixed one-piece front window (P5A classified)*	X	○
Parallel wiper with washer	●	●
Fixed glass skylight	●	●
LED dome lights	●	●
Foot illumination	●	●
Roller rear sunscreen	X	●
Rear window emergency exit	●	●
Washable floor mat	●	●
Beacon ready	●	●
Falling Object Guard Structure (FOGS) "ready"	●	●
Falling Object Guard Structure (FOGS) with skylight wiper	X	○
Vandalism Guards "ready"	●	●
Two LED cab lights	●	●
Rain visor	●	●

*Europe and Aus-NZ only

- Standard
- Optional
- X Not available

M315 Environmental Declaration

The following information applies to the machine at the time of final manufacture as configured for sale in the regions covered in this document. The content of this declaration is valid as of the date issued; however, content related to machine features and specifications are subject to change without notice. For additional information, please see the machine's Operation and Maintenance Manual.

For more information on sustainability in action and our progress, please visit <https://www.caterpillar.com/en/company/sustainability>.

Engine

- The Cat® C4.4 engine meets U.S. EPA Tier 4 Final and EU Stage V emission standards.
- Cat diesel engines are required to use ULSD (ultra-low sulfur diesel fuel with 15 ppm of sulfur or less) or ULSD blended with the following lower-carbon intensity fuels up to:
 - ✓ 20% biodiesel FAME (fatty acid methyl ester)*
 - ✓ 100% renewable diesel, HVO (hydrotreated vegetable oil) and GTL (gas-to-liquid) fuels

Refer to guidelines for successful application. Please consult your Cat dealer or "Caterpillar Machine Fluids Recommendations" (SEBU6250) for details.

**Engines with no aftertreatment devices can use higher blends, up to 100% biodiesel (for use of blends higher than 20% biodiesel, consult your Cat dealer).*

Air Conditioning System

- The air conditioning system on this machine contains the fluorinated greenhouse gas refrigerant R134a (Global Warming Potential = 1430). The system contains 0.8 kg (1.8 lb) of refrigerant which has a CO₂ equivalent of 1.144 metric tonnes (1.261 tons).

Paint

- Based on best available knowledge, the maximum allowable concentration, measured in parts per million (PPM), of the following heavy metals in paint are:
 - Barium < 0.01%
 - Cadmium < 0.01%
 - Chromium < 0.01%
 - Lead < 0.01%

Sound Performance

Operator Sound 2000/14/EC – 70 dB(A)

Spectator Sound 2000/14/EC – 100 dB(A)

- Operator Sound – The operator sound level is measured according to the procedures specified in 2000/14/EC, for a cab offered by Caterpillar, when properly installed and maintained and tested with the door and windows closed.
- Exterior Sound – The labeled spectator sound power level is measured according to the test procedures and conditions specified in 2000/14/EC.
- Hearing protection may be needed when operating with an open operator station and cab (when not properly maintained or doors/windows open) for extended periods or in noisy environment(s).

Oils and Fluids

- Caterpillar factory fills with ethylene glycol coolants. Cat Diesel Engine Antifreeze/Coolant (DEAC) and Cat Extended Life Coolant (ELC) can be recycled. Consult your Cat dealer for more information.
- Cat Bio HYDO Advanced is an EU Ecolabel approved biodegradable hydraulic oil.
- Additional fluids are likely to be present, please consult the Operations and Maintenance Manual or the Application and Installation guide for complete fluid recommendations and maintenance intervals.

Features and Technology

- The following features and technology may contribute to fuel savings and/or carbon reduction. Features may vary. Consult your Cat dealer for details.
 - Advanced hydraulic systems balance power and efficiency
 - New hydraulic oil filter provides longer life with a 3,000-hour replacement interval – 50% longer than previous filter designs
 - Eco mode minimizes fuel consumption for light applications
 - One-touch low idle with automatic engine speed control
 - Optional Cat Grade with 2D improves operator efficiency by up to 45%
 - Optional Cat Payload on-board weighing system increases loading efficiency
 - Remote flash and remote troubleshoot

For more complete information on Cat products, dealer services, and industry solutions, visit us on the web at www.cat.com

© 2022 Caterpillar
All rights reserved

Materials and specifications are subject to change without notice. Featured machines in photos may include additional equipment. See your Cat dealer for available options.

CAT, CATERPILLAR, LET'S DO THE WORK, their respective logos, "Caterpillar Corporate Yellow," the "Power Edge" and Cat "Modern Hex" trade dress as well as corporate and product identity used herein, are trademarks of Caterpillar and may not be used without permission.

AEXQ3220-02 (10-2022)
Replaces AEXQ3220-01
Build Number: 07C
(Aus-NZ, Eur, N Am)

