



966

Wheel Loader

Technical Specifications

Not all attachments available in all regions. Consult your Cat® dealer for specific configurations available in your region.

Table of Contents

Specifications	2
Engine	2
Bucket Capacities	2
Weight	2
Operating Specifications	2
Transmission	2
Hydraulic System	3
Brakes	3
Axles	3
Service Refill Capacities	3
Cab	3
Sound	3
Air Conditioning System	3
Dimensions	4
Tire Options	5
Bucket Fill Factors and Selection Guide	7
Operating Specifications – Buckets	13
Fork Specifications	65
Material Handling Arm Specifications	68
Standard and Optional Equipment	71
966 Environmental Declaration	73
966 Waste & Scrap Handler Configuration	74
Key Features and Benefits	74
966 Waste and Scrap Handler Features	75
Tire Options	76
Operating Specifications – Buckets	77
966 Forestry Machine Configuration	88
Key Features and Benefits	88
966 Forestry Machine Features	89
Tire Options	90
Operating Specifications – Buckets	91
Fork Specifications	93
Material Handling Arm Specifications	124
966 Tunneling Configuration	126
Key Features and Benefits	126
966 Tunneling Features	127
Operating Specifications – Buckets	128
966 Corrosion Resistant Configuration	130
Key Features and Benefits	130
966 Corrosion Resistant Features	131

966 Wheel Loader Specifications

Engine

Engine Model	Cat® C9.3B	
Engine Power @ 1,600 rpm – ISO 14396:2002	239 kW	321 hp
ISO 14396:2002 (DIN)	325 hp (metric)	
Gross Power @ 1,600 rpm – SAE J1995:2014	242 kW	325 hp
SAE J1995:2014 (DIN)	329 hp (metric)	
Net Power @ 1,600 rpm – ISO 9249:2007, SAE J1349:2011	226 kW	303 hp
ISO 9249:2007, SAE J1349:2011 (DIN)	307 hp (metric)	
Engine Torque @ 1,200 rpm – ISO 14396:2002	1781 N·m	1,313 lbf·ft
Gross Torque @ 1,200 rpm – SAE J1995:2014	1799 N·m	1,327 lbf·ft
Net Torque @ 1,200 rpm – ISO 9249:2007, SAE J1349:2011	1702 N·m	1,255 lbf·ft
Bore	115 mm	
Stroke	149 mm	
Displacement	9.3 L	

- Cat engine meets U.S. EPA Tier 4 Final, EU Stage V, Korea Stage V, China Nonroad Stage IV and Japan 2014 emission standards.
- The net power advertised is the power available at the flywheel when the engine is equipped with fan, alternator, air cleaner and aftertreatment.
- Cat diesel engines are required to use ULSD (ultra-low sulfur diesel fuel with 15 ppm of sulfur or less) or ULSD blended with the following lower-carbon intensity fuels up to:
 - 20% biodiesel FAME (fatty acid methyl ester)*
 - 100% renewable diesel, HVO (hydrotreated vegetable oil) and GTL (gas-to-liquid) fuels

Refer to guidelines for successful application. Please consult your Cat dealer or “Caterpillar Machine Fluids Recommendations” (SEBU6250) for details.

* Engines with no aftertreatment devices can use higher blends, up to 100% biodiesel.

Bucket Capacities

Bucket Range	2.80-11.90 m ³	3.75-15.50 yd ³
--------------	---------------------------	----------------------------

Weight

Operating Weight	23 196 kg	51,124 lb
------------------	-----------	-----------

- Weight based on a machine configuration with Bridgestone 26.5R25 VJT L3 radial tires, full fluids, operator, standard counterweight, ride control, cold start, roading fenders, Product Link™, front manual differential/open rear axles, power train guard, secondary steering, sound suppression, and a 4.2 m³ (5.5 yd³) general purpose bucket with BOCE.

Operating Specifications

Static Tipping Load – Full Turn		
Maximum Articulation Angle (Full Turn)	37°	
With Tire Deflection	14,849 kg	32,727 lb
No Tire Deflection	15,981 kg	35,224 lb
Breakout Force	174 kN	38,999 lbf

- For a machine configuration as defined under “Weight.”
- Full compliance to ISO 14397-1:2007 Sections 1 thru 6, which requires 2% verification between calculations and testing.

Transmission

Forward 1	6.7 km/h	4.2 mph
Forward 2	13.5 km/h	8.4 mph
Forward 3	24.2 km/h	15.0 mph
Forward 4	39.5 km/h	24.5 mph
Reverse 1	7.3 km/h	4.5 mph
Reverse 2	14.8 km/h	9.2 mph
Reverse 3	26.6 km/h	16.5 mph
Reverse 4	39.5 km/h	24.5 mph

- Maximum travel speed in standard vehicle with empty bucket and standard L3 tires with 849 mm (33 in) roll radius.

966 Wheel Loader Specifications

Hydraulic System

Implement Pump Type	Variable Displacement Piston, load sensing	
Implement System:		
Maximum Pump Output (2,275 rpm)	373 L/min	99 gal/min
Maximum Operating Pressure	31 000 kPa	4,496 psi
Optional 3 rd Function Maximum Flow at Work Tool	240 L/min	63 gal/min
Optional 3 rd Function Maximum Pressure at Work Tool	20 684 kPa	3,000 psi
Optional 4 th Function Maximum Flow at Work Tool	240 L/min	63 gal/min
Optional 4 th Function Maximum Pressure at Work Tool	20 684 kPa	3,000 psi
Hydraulic Cycle Time with Rated Payload:		
Raise from Carry Position	6.1 seconds	
Dump, at Maximum Raise	1.4 seconds	
Lower, Empty, Float Down	2.6 seconds	
Total	10.1 seconds	

Brakes

Brakes	Brakes meet ISO 3450:2011 standards
--------	-------------------------------------

Axles

Front	Fixed
Rear	Oscillating, ±13 degrees

Service Refill Capacities

Fuel Tank	303 L	80.1 gal
DEF Tank	26 L	6.9 gal
Cooling System	66 L	17.4 gal
Crankcase	23 L	6.1 gal
Transmission	58.5 L	15.5 gal
Differentials and Final Drives – Front	57 L	15.1 gal
Differentials and Final Drives – Rear	57 L	15.1 gal
Hydraulic Tank	114 L	30.1 gal

Cab

ROPS/FOPS	ROPS/FOPS meet ISO 3471:2008 and ISO 3449:2005 Level II standards
-----------	---

Sound Performance

Operator Sound Pressure Level (ISO 6396:2008)	70 dB(A)
Exterior Sound Power Level (ISO 6395:2008)	109 dB(A)
Operator Sound Pressure Level (ISO 6396:2008)*	69 dB(A)
Exterior Sound Power Level (ISO 6395:2008)**	108 dB(A)

*Including countries that adopt the EU and UK Directives
 **EU Noise Directive 2000/14/EC and UK Noise Regulation 2001 No. 1701

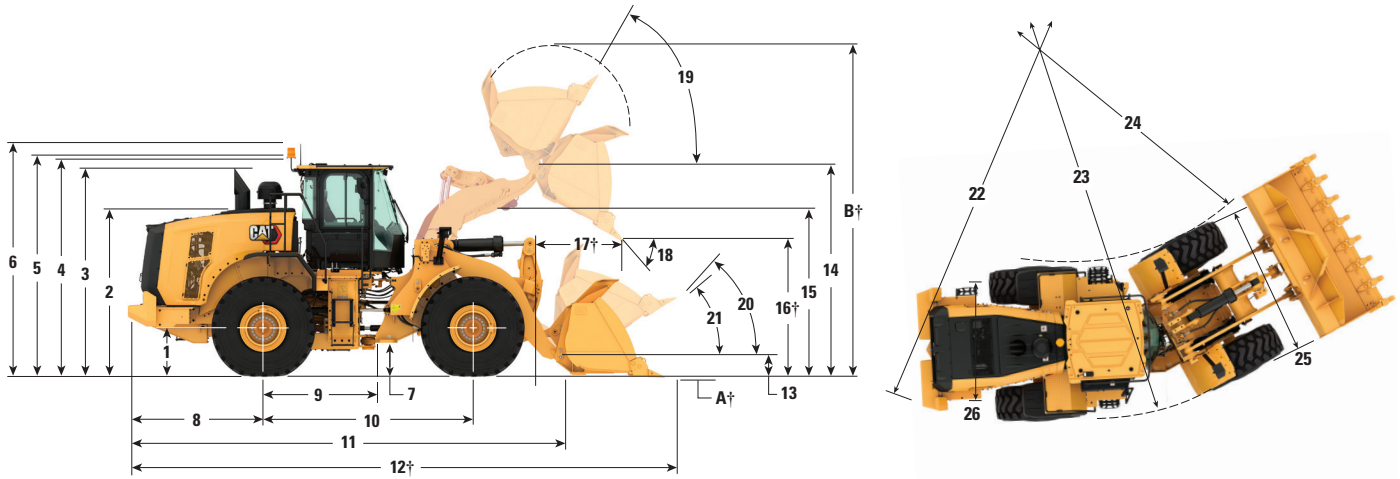
Air Conditioning System

- The air conditioning system on this machine contains the fluorinated greenhouse gas refrigerant R134a (Global Warming Potential = 1430). The system contains 1.6 kg (3.5 lb) of refrigerant which has a CO₂ equivalent 2.288 metric tonnes (2.522 tons).

966 Wheel Loader Specifications

Dimensions

All dimensions are approximate.



	Standard Lift		High Lift	
1 Height to Axle Centerline	809 mm	2'7"	809 mm	2'7"
2 Height to Top of Hood	2850 mm	9'5"	2850 mm	9'5"
3 Height to Top of Exhaust Pipe	3531 mm	11'8"	3531 mm	11'8"
4 Height to Top of ROPS	3593 mm	11'10"	3593 mm	11'10"
5 Height to Top of Product Link™ Antenna	3607 mm	11'11"	3607 mm	11'11"
6 Height to Top of Warning Beacon	3871 mm	12'9"	3871 mm	12'9"
7 Ground Clearance	424 mm	1'4"	424 mm	1'4"
8 Center Line of Rear Axle to Edge of Counterweight	2290 mm	7'7"	2458 mm	8'1"
9 Center Line of Rear Axle to Hitch	1775 mm	5'10"	1775 mm	5'10"
10 Wheelbase	3550 mm	11'8"	3550 mm	11'8"
11 Overall Length (without bucket)	7399 mm	24'4"	8069 mm	26'6"
12 Shipping Length (with bucket level on ground)*†	8851 mm	29'1"	9521 mm	31'3"
13 Hinge Pin Height at Carry Height	635 mm	2'0"	782 mm	2'6"
14 Hinge Pin Height at Maximum Lift	4245 mm	13'11"	4804 mm	15'9"
15 Lift Arm Clearance at Maximum Lift	3687 mm	12'1"	4183 mm	13'8"
16 Dump Clearance at Maximum Lift and 45° Discharge*†	3001 mm	9'10"	3560 mm	11'8"
17 Reach at Maximum Lift and 45° Discharge*†	1350 mm	4'5"	1326 mm	4'4"
18 Dump Angle at Maximum Lift and Dump (on stops)*	49 degrees		48 degrees	
19 Rack Back at Maximum Lift*	62 degrees		71 degrees	
20 Rack Back at Carry Height*	50 degrees		49 degrees	
21 Rack Back at Ground*	39 degrees		37 degrees	
22 Clearance Circle (dia) to Counterweight	13 588 mm	44'7"	13 608 mm	44'8"
23 Clearance Circle (dia) to Outside of Tires	13 621 mm	44'9"	13 621 mm	44'9"
24 Clearance Circle (dia) to Inside of Tires	7598 mm	25'0"	7598 mm	25'0"
25 Width over Tires (unloaded)	2978 mm	9'10"	2978 mm	9'10"
Width over Tires (loaded)	3012 mm	9'11"	3012 mm	9'11"
26 Tread Width	2230 mm	7'3"	2230 mm	7'3"

†Dimensions are listed in Operating Specifications charts.

All height and tire related dimensions are with Bridgestone 26.5R25 VJT L3 radial tires (see Tire Option Chart for other tires). "Width over Tires" dimensions are over the bulge and include growth.

*All dimensions are approximate and based on machine equipped with 4.2 m³ (5.5 yd³) general purpose bucket with BOCE. (see Operating Specifications for other buckets)

966 Wheel Loader Specifications

Tire Options

Tire Brand	BRIDGESTONE	BRIDGESTONE	BRIDGESTONE	BRIDGESTONE	BRIDGESTONE	BRIDGESTONE
Tire Size	26.5R25	26.5R25	26.5R25	26.5-25	26.5-25	775/65R29
Tread Type	L3	L4	L5	L3	L4	L3
Tread Pattern	VJT	VSNT	VSDL	VL2	RLS	VTS
Casing Strength	*	*	*	20PR	26PR	*
Width over Tires – Maximum (empty)*	2978 mm 9'10"	2960 mm 9'9"	2959 mm 9'9"	2937 mm 9'8"	2942 mm 9'8"	3046 mm 10'0"
Width over Tires – Maximum (loaded)*	3012 mm 9'11"	2991 mm 9'10"	2983 mm 9'10"	2948 mm 9'9"	2960 mm 9'9"	3070 mm 10'1"
Change in Vertical Dimensions (average of front and rear)		26 mm 1"	43 mm 1.7"	-4 mm -0.1"	38 mm 1.5"	11 mm 0.4"
Change in Horizontal Reach		-21 mm -0.8"	-26 mm -1"	0 mm 0"	-24 mm -0.9"	-1 mm 0"
Change in Clearance Circle to Outside of Tires		-21 mm -0.8"	-29 mm -1.1"	-63 mm -2.5"	-52 mm -2"	58 mm 2.3"
Change in Clearance Circle to Inside of Tires		21 mm 0.8"	29 mm 1.1"	63 mm 2.5"	52 mm 2"	-58 mm -2.3"
Change in Operating Weight (without Ballast)		460 kg 1,014 lb	972 kg 2,143 lb	-364 kg -803 lb	112 kg 247 lb	692 kg 1,525 lb
Change in Static Tipping Load – Straight		334 kg 735 lb	705 kg 1,554 lb	-264 kg -582 lb	81 kg 179 lb	501 kg 1,106 lb
Change in Static Tipping Load – Articulated		297 kg 654 lb	627 kg 1,382 lb	-235 kg -518 lb	72 kg 159 lb	446 kg 984 lb
Rear Axle Oscillation Angle	±13 degrees	±13 degrees	±8 degrees	±13 degrees	±13 degrees	±8 degrees
Maximum Single-wheel Rise and Fall	502 mm 1'8"	502 mm 1'8"	310 mm 1'1"	502 mm 1'8"	502 mm 1'8"	310 mm 1'1"

Tire Brand	MICHELIN	MICHELIN	MICHELIN	MAXAM	MAXAM	MAXAM
Tire Size	26.5R25	26.5R25	775/65R29	26.5R25	26.5R25	775/65R29
Tread Type	L3	L5	L3	L3	L5	L3
Tread Pattern	XHA2	XLDD2	XHA2	MS302	MS503	MS302
Casing Strength	**	*	*	**	**	**
Width over Tires – Maximum (empty)*	2986 mm 9'10"	2970 mm 9'9"	3019 mm 9'11"	2972 mm 9'9"	2960 mm 9'9"	3038 mm 10'0"
Width over Tires – Maximum (loaded)*	3016 mm 9'11"	3005 mm 9'11"	3049 mm 10'1"	2947 mm 9'9"	2986 mm 9'10"	3063 mm 10'1"
Change in Vertical Dimensions (average of front and rear)	-11 mm -0.4"	39 mm 1.5"	4 mm 0.1"	14 mm 0.5"	47 mm 1.9"	38 mm 1.5"
Change in Horizontal Reach	3 mm 0.1"	-31 mm -1.2"	2 mm 0.1"	-7 mm -0.3"	-28 mm -1.1"	-23 mm -0.9"
Change in Clearance Circle to Outside of Tires	5 mm 0.2"	-7 mm -0.3"	38 mm 1.5"	-65 mm -2.6"	-26 mm -1"	52 mm 2"
Change in Clearance Circle to Inside of Tires	-5 mm -0.2"	7 mm 0.3"	-38 mm -1.5"	65 mm 2.6"	26 mm 1"	-52 mm -2"
Change in Operating Weight (without Ballast)	-164 kg -362 lb	552 kg 1,217 lb	504 kg 1,110 lb	-16 kg -35 lb	692 kg 1,526 lb	684 kg 1,507 lb
Change in Static Tipping Load – Straight	-119 kg -262 lb	400 kg 882 lb	365 kg 805 lb	-12 kg -26 lb	502 kg 1,106 lb	496 kg 1,093 lb
Change in Static Tipping Load – Articulated	-106 kg -233 lb	356 kg 785 lb	325 kg 716 lb	-10 kg -23 lb	446 kg 984 lb	441 kg 972 lb
Rear Axle Oscillation Angle	±13 degrees	±8 degrees	±8 degrees	±13 degrees	±8 degrees	±8 degrees
Maximum Single-wheel Rise and Fall	502 mm 1'8"	310 mm 1'1"	310 mm 1'1"	502 mm 1'8"	310 mm 1'1"	310 mm 1'1"

*Width over tire bulge and includes tire growth.

966 Wheel Loader Specifications

Tire Options

Tire Brand	TRIANGLE	TRIANGLE	GOODYEAR	GOODYEAR	GOODYEAR
Tire Size	26.5R25	26.5-25	26.5R25	26.5R25	26.5R25
Tread Type	L3	L3	L3	L4	L5
Tread Pattern	TB516	TL612	RT3B	GP4D	RT5D
Casing Strength	**	20PR	**	**	**
Width over Tires – Maximum (empty)*	2969 mm 9'9"	2948 mm 9'9"	2979 mm 9'10"	2985 mm 9'10"	2982 mm 9'10"
Width over Tires – Maximum (loaded)*	2991 mm 9'10"	2958 mm 9'9"	2994 mm 9'10"	3033 mm 10'0"	3013 mm 9'11"
Change in Vertical Dimensions (average of front and rear)	14 mm 0.5"	17 mm 0.7"	20 mm 0.8"	5 mm 0.2"	41 mm 1.6"
Change in Horizontal Reach	-6 mm -0.2"	-2 mm -0.1"	-2 mm -0.1"	-5 mm -0.2"	-26 mm -1"
Change in Clearance Circle to Outside of Tires	-21 mm -0.8"	-54 mm -2.1"	-17 mm -0.7"	22 mm 0.8"	1 mm 0"
Change in Clearance Circle to Inside of Tires	21 mm 0.8"	54 mm 2.1"	17 mm 0.7"	-22 mm -0.8"	-1 mm 0"
Change in Operating Weight (without Ballast)	-64 kg -141 lb	-372 kg -820 lb	276 kg 609 lb	272 kg 600 lb	988 kg 2,179 lb
Change in Static Tipping Load – Straight	-46 kg -102 lb	-270 kg -595 lb	200 kg 441 lb	197 kg 435 lb	716 kg 1,579 lb
Change in Static Tipping Load – Articulated	-41 kg -91 lb	-240 kg -529 lb	178 kg 393 lb	175 kg 387 lb	637 kg 1,405 lb
Rear Axle Oscillation Angle	±13 degrees	±13 degrees	±13 degrees	±13 degrees	±8 degrees
Maximum Single-wheel Rise and Fall	502 mm 1'8"	502 mm 1'8"	502 mm 1'8"	502 mm 1'8"	310 mm 1'1"

Tire Brand	GOODYEAR	GOODYEAR	BRAWLER HPS	BRAWLER HPS
			SMOOTH	TRACTION
Tire Size	26.5R25	775/65R29	26.5R25	26.5R25
Tread Type	L5	L4	N/A	N/A
Tread Pattern	RL5K	GP4D	Smooth	Traction
Casing Strength	**	**	N/A	N/A
Width over Tires – Maximum (empty)*	3046 mm 10'0"	3072 mm 10'1"	2959 mm 9'9"	2959 mm 9'9"
Width over Tires – Maximum (loaded)*	3171 mm 10'5"	3118 mm 10'3"	2968 mm 9'9"	2968 mm 9'9"
Change in Vertical Dimensions (average of front and rear)	45 mm 1.8"	13 mm 0.5"	37 mm 1.5"	34 mm 1.3"
Change in Horizontal Reach	-23 mm -0.9"	-6 mm -0.2"	11 mm 0.4"	11 mm 0.4"
Change in Clearance Circle to Outside of Tires	160 mm 6.3"	107 mm 4.2"	-44 mm -1.7"	-44 mm -1.7"
Change in Clearance Circle to Inside of Tires	-160 mm -6.3"	-107 mm -4.2"	44 mm 1.7"	44 mm 1.7"
Change in Operating Weight (without Ballast)	896 kg 1,976 lb	720 kg 1,587 lb	4300 kg 9,482 lb	4076 kg 8,988 lb
Change in Static Tipping Load – Straight	650 kg 1,432 lb	522 kg 1,150 lb	3118 kg 6,874 lb	2955 kg 6,516 lb
Change in Static Tipping Load – Articulated	578 kg 1,274 lb	464 kg 1,023 lb	2774 kg 6,116 lb	2629 kg 5,797 lb
Rear Axle Oscillation Angle	±8 degrees	±8 degrees	±8 degrees	±8 degrees
Maximum Single-wheel Rise and Fall	310 mm 1'1"	310 mm 1'1"	310 mm 1'1"	310 mm 1'1"

*Width over tire bulge and includes tire growth.

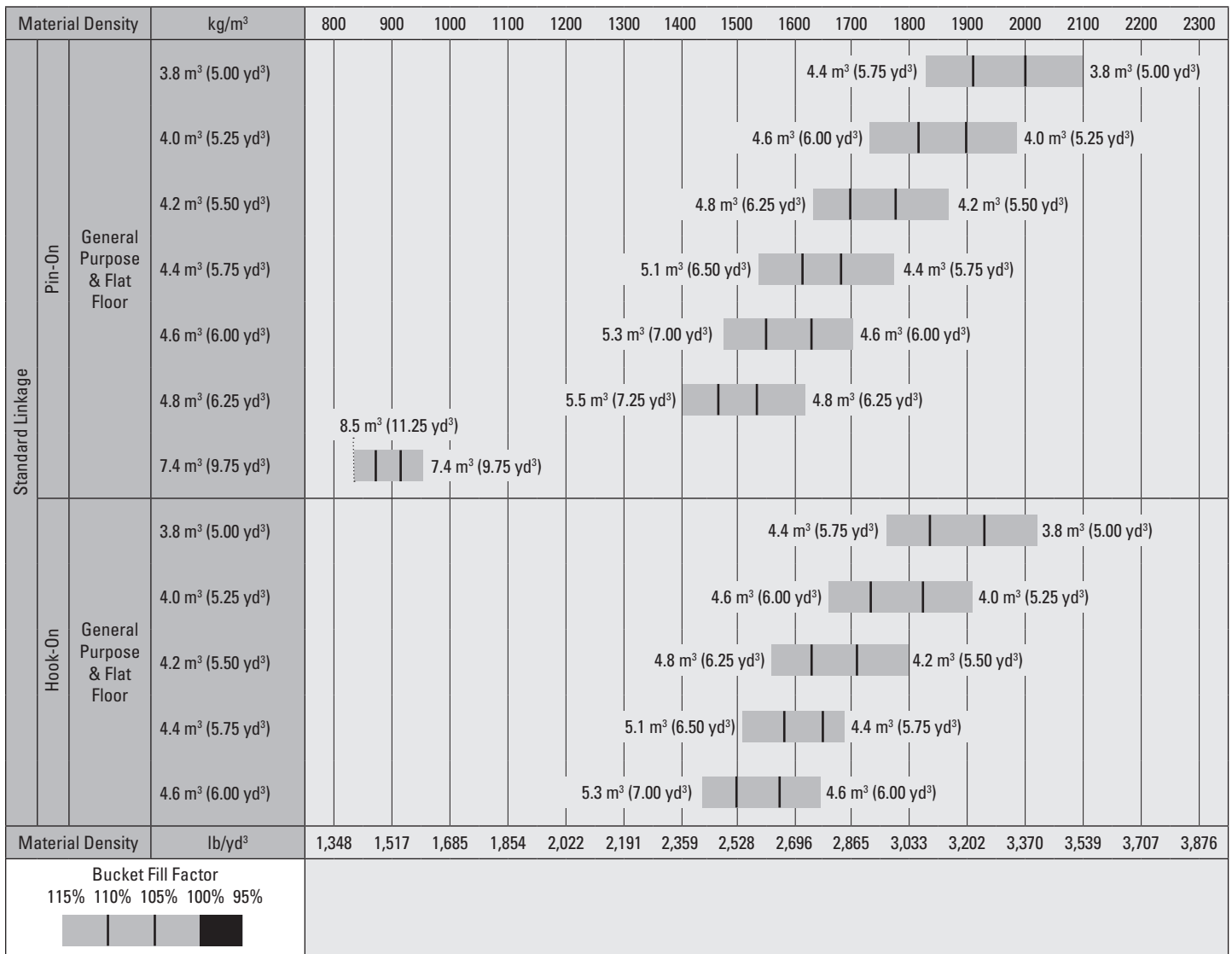
Bucket Fill Factors and Selection Guide

The bucket size must be chosen based on the density of the material and on the expected fill factor. The Cat Performance Series Buckets with longer floor, larger bucket opening, increased repository angle, rounded side boards and integrated spill guard demonstrate fill factors significantly higher than previous generation or non-Cat buckets. The actual volume handled by the machine is thus often larger than the rated capacity.

Loose Material		Fill Factor (%)*	Material Density
Earth/Clay		115	1.5-1.7
Sand and Gravel		115	1.5-1.7
Aggregate:	25-76 mm (1 to 3 in)	110	1.6-1.7
	19 mm (0.75 in) and smaller	105	1.8
Rock:	76 mm (3 in) and larger	100	1.6

*As a % of ISO 7546:1983 rated capacity.

Note: Fill Factors achieved will also depend on whether the product is washed or not washed.



Note: All buckets are showing Bolt-On Edges.

966 Wheel Loader Specifications

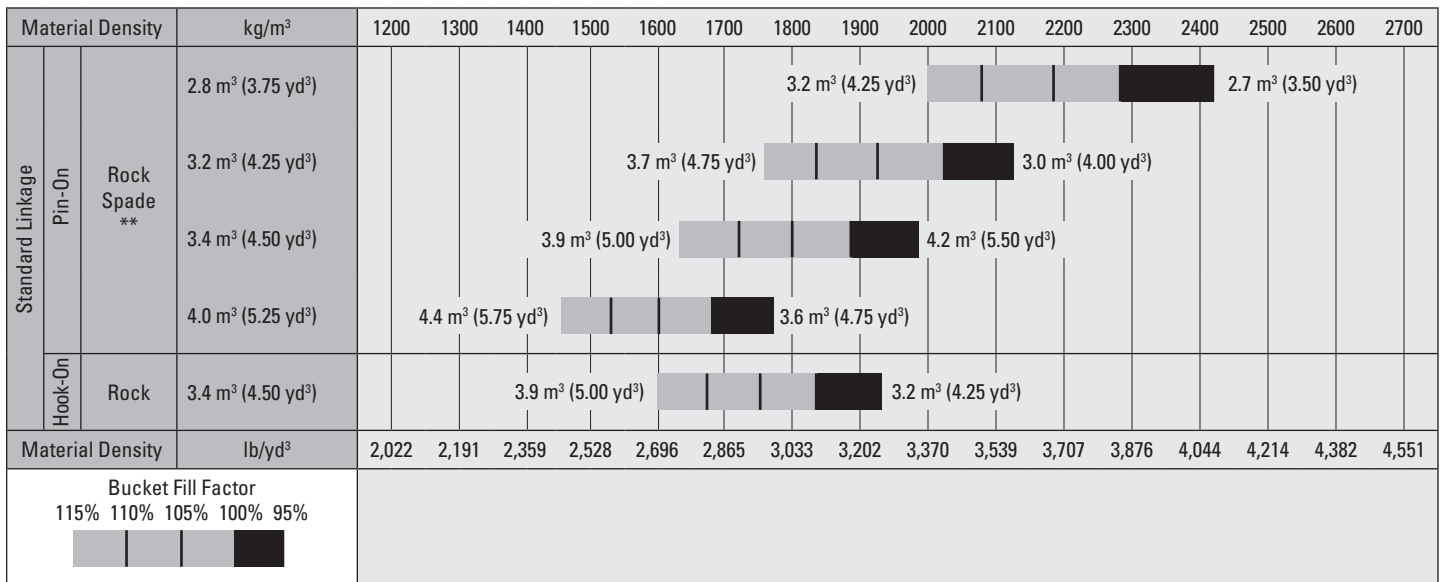
Bucket Fill Factors and Selection Guide

The bucket size must be chosen based on the density of the material and on the expected fill factor. The Cat Performance Series Buckets with longer floor, larger bucket opening, increased repository angle, rounded side boards and integrated spill guard demonstrate fill factors significantly higher than previous generation or non-Cat buckets. The actual volume handled by the machine is thus often larger than the rated capacity.

Loose Material		Fill Factor (%)*	Material Density
Earth/Clay		115	1.5-1.7
Sand and Gravel		115	1.5-1.7
Aggregate:	25-76 mm (1 to 3 in)	110	1.6-1.7
	19 mm (0.75 in) and smaller	105	1.8
Rock:	76 mm (3 in) and larger	100	1.6

*As a % of ISO 7546:1983 rated capacity.

Note: Fill Factors achieved will also depend on whether the product is washed or not washed.



Note: All buckets are showing Bolt-On Edges.

966 Wheel Loader Specifications


Bucket Fill Factors and Selection Guide

The bucket size must be chosen based on the density of the material and on the expected fill factor. The Cat Performance Series Buckets with longer floor, larger bucket opening, increased repository angle, rounded side boards and integrated spill guard demonstrate fill factors significantly higher than previous generation or non-Cat buckets. The actual volume handled by the machine is thus often larger than the rated capacity.

Loose Material		Fill Factor (%)*	Material Density
Earth/Clay		115	1.5-1.7
Sand and Gravel		115	1.5-1.7
Aggregate:	25-76 mm (1 to 3 in)	110	1.6-1.7
	19 mm (0.75 in) and smaller	105	1.8
Rock:	76 mm (3 in) and larger	100	1.6

*As a % of ISO 7546:1983 rated capacity.

Note: Fill Factors achieved will also depend on whether the product is washed or not washed.

Material Density		kg/m ³	300	400	500	600	700	800	900	1000	1100	1200	1300	1400					
Standard Linkage	Pin-On	Coal	7.1 m ³ (9.25 yd ³)							8.2 m ³ (10.75 yd ³)									
		Coal	6.7 m ³ (8.75 yd ³)								7.7 m ³ (10.00 yd ³)								
	Pin-On	High Dump	7.6 m ³ (10.00 yd ³)								8.7 m ³ (11.50 yd ³)								
			9.2 m ³ (12.00 yd ³)																
			11.1 m ³ (14.50 yd ³)																
	Hook-On	High Dump	7.6 m ³ (10.00 yd ³)								8.7 m ³ (11.50 yd ³)								
			9.2 m ³ (12.00 yd ³)																
			11.1 m ³ (14.50 yd ³)																
	Pin-On	Woodchip	11.9 m ³ (15.50 yd ³)																
			11.9 m ³ (15.50 yd ³)																
	Hook-On	Woodchip	11.9 m ³ (15.50 yd ³)																
			11.9 m ³ (15.50 yd ³)																
Material Density		lb/yd ³	506	674	843	1,011	1,180	1,348	1,517	1,685	1,854	2,022	2,191	2,359					
Bucket Fill Factor																			
115% 110% 105% 100% 95%																			
																			

Note: All buckets are showing Bolt-On Edges.

966 Wheel Loader Specifications

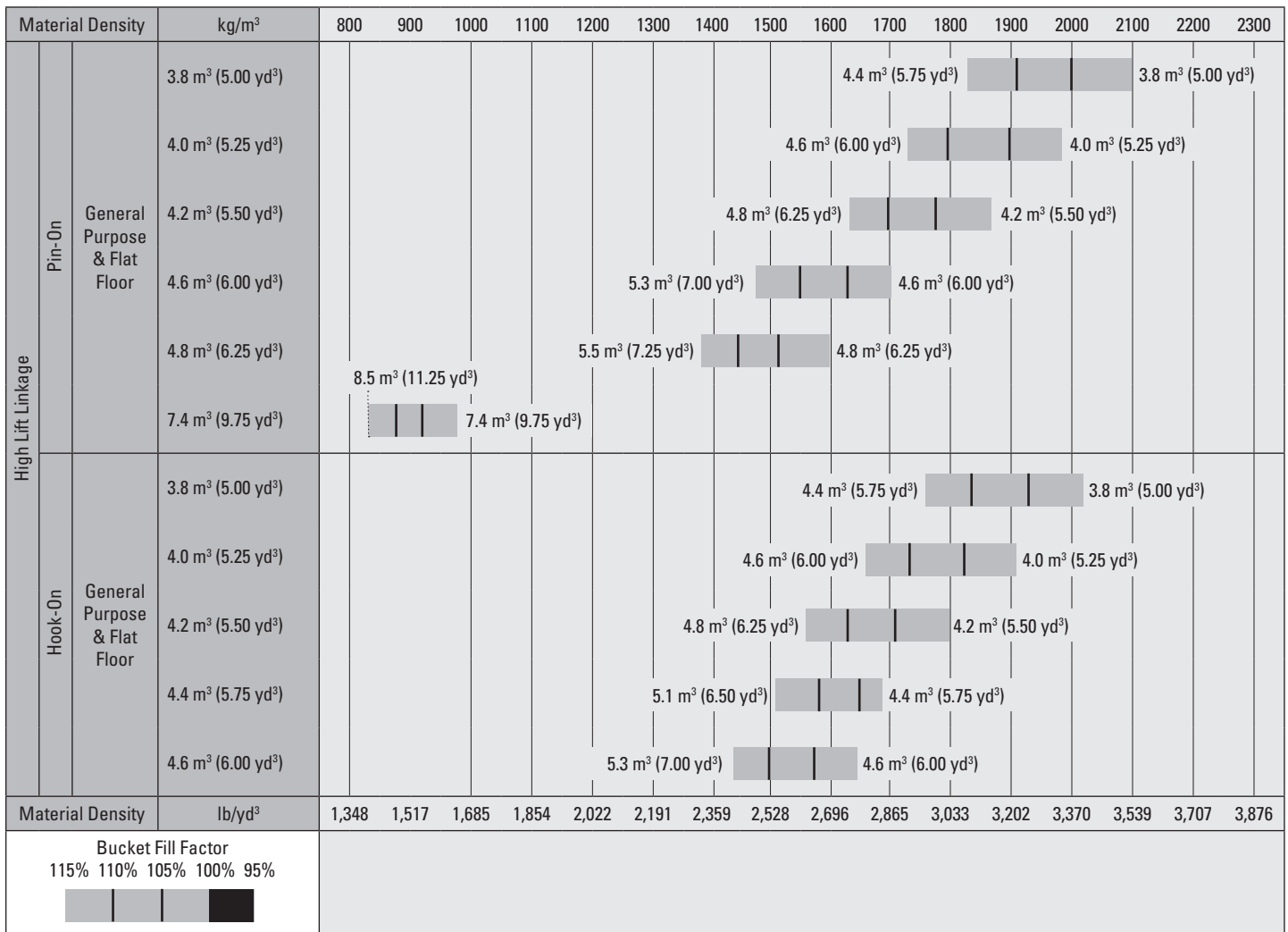
Bucket Fill Factors and Selection Guide

The bucket size must be chosen based on the density of the material and on the expected fill factor. The Cat Performance Series Buckets with longer floor, larger bucket opening, increased repository angle, rounded side boards and integrated spill guard demonstrate fill factors significantly higher than previous generation or non-Cat buckets. The actual volume handled by the machine is thus often larger than the rated capacity.

Loose Material		Fill Factor (%)*	Material Density
Earth/Clay		115	1.5-1.7
Sand and Gravel		115	1.5-1.7
Aggregate:	25-76 mm (1 to 3 in)	110	1.6-1.7
	19 mm (0.75 in) and smaller	105	1.8
Rock:	76 mm (3 in) and larger	100	1.6

*As a % of ISO 7546:1983 rated capacity.

Note: Fill Factors achieved will also depend on whether the product is washed or not washed.



Note: All buckets are showing Bolt-On Edges.

966 Wheel Loader Specifications

Bucket Fill Factors and Selection Guide

The bucket size must be chosen based on the density of the material and on the expected fill factor. The Cat Performance Series Buckets with longer floor, larger bucket opening, increased repository angle, rounded side boards and integrated spill guard demonstrate fill factors significantly higher than previous generation or non-Cat buckets. The actual volume handled by the machine is thus often larger than the rated capacity.

Loose Material		Fill Factor (%)*	Material Density
Earth/Clay		115	1.5-1.7
Sand and Gravel		115	1.5-1.7
Aggregate:	25-76 mm (1 to 3 in)	110	1.6-1.7
	19 mm (0.75 in) and smaller	105	1.8
Rock:	76 mm (3 in) and larger	100	1.6

*As a % of ISO 7546:1983 rated capacity.

Note: Fill Factors achieved will also depend on whether the product is washed or not washed.

Material Density		kg/m ³	300	400	500	600	700	800	900	1000	1100	1200	1300	1400						
High Lift Linkage	Pin-On	Coal	7.1 m ³ (9.25 yd ³)							8.2 m ³ (10.75 yd ³)										
		Coal	6.7 m ³ (8.75 yd ³)								7.7 m ³ (10.00 yd ³)									
	Pin-On	High Dump	7.6 m ³ (10.00 yd ³)								8.7 m ³ (11.50 yd ³)									
			9.2 m ³ (12.00 yd ³)									10.6 m ³ (13.75 yd ³)								
			11.1 m ³ (14.50 yd ³)									12.8 m ³ (16.75 yd ³)								
	Hook-On	High Dump	7.6 m ³ (10.00 yd ³)								8.7 m ³ (11.50 yd ³)									
			9.2 m ³ (12.00 yd ³)									10.6 m ³ (13.75 yd ³)								
			11.1 m ³ (14.50 yd ³)									12.8 m ³ (16.75 yd ³)								
	Pin-On	Woodchip	11.9 m ³ (15.50 yd ³)								13.7 m ³ (18.00 yd ³)									
			11.9 m ³ (15.50 yd ³)									13.7 m ³ (18.00 yd ³)								
	Hook-On	Woodchip	11.9 m ³ (15.50 yd ³)								13.7 m ³ (18.00 yd ³)									
			11.9 m ³ (15.50 yd ³)									13.7 m ³ (18.00 yd ³)								
Material Density	lb/yd ³		506	674	843	1,011	1,180	1,348	1,517	1,685	1,854	2,022	2,191	2,359						
Bucket Fill Factor																				
115% 110% 105% 100% 95%																				

Note: All buckets are showing Bolt-On Edges.

966 Wheel Loader Specifications


Bucket Fill Factors and Selection Guide

The bucket size must be chosen based on the density of the material and on the expected fill factor. The Cat Performance Series Buckets with longer floor, larger bucket opening, increased repository angle, rounded side boards and integrated spill guard demonstrate fill factors significantly higher than previous generation or non-Cat buckets. The actual volume handled by the machine is thus often larger than the rated capacity.

Loose Material		Fill Factor (%)*	Material Density
Earth/Clay		115	1.5-1.7
Sand and Gravel		115	1.5-1.7
Aggregate:	25-76 mm (1 to 3 in)	110	1.6-1.7
	19 mm (0.75 in) and smaller	105	1.8
Rock:	76 mm (3 in) and larger	100	1.6

*As a % of ISO 7546:1983 rated capacity.

Note: Fill Factors achieved will also depend on whether the product is washed or not washed.

Material Density	kg/m ³	900	1000	1100	1200	1300	1400	1500	1600	1700	1800	1900	2000	2100	2200	2300	2400	
		Aggregate Handler Linkage Pin-On General Purpose & Flat Floor 4.0 m ³ (5.25 yd ³) 4.2 m ³ (5.50 yd ³) 4.4 m ³ (5.75 yd ³) 4.6 m ³ (6.00 yd ³) 4.8 m ³ (6.25 yd ³)										4.6 m ³ (6.00 yd ³)						
										4.8 m ³ (6.25 yd ³)								4.2 m ³ (5.50 yd ³)
										5.1 m ³ (6.50 yd ³)								4.4 m ³ (5.75 yd ³)
										5.3 m ³ (7.00 yd ³)								4.6 m ³ (6.00 yd ³)
										5.5 m ³ (7.25 yd ³)								4.8 m ³ (6.25 yd ³)
Hook-On General Purpose & Flat Floor 4.0 m ³ (5.25 yd ³) 4.2 m ³ (5.50 yd ³) 4.4 m ³ (5.75 yd ³) 4.6 m ³ (6.00 yd ³)										4.6 m ³ (6.00 yd ³)								4.0 m ³ (5.25 yd ³)
										4.8 m ³ (6.25 yd ³)								4.2 m ³ (5.50 yd ³)
										5.1 m ³ (6.50 yd ³)								4.4 m ³ (5.75 yd ³)
										5.3 m ³ (7.00 yd ³)								4.6 m ³ (6.00 yd ³)
Material Density	lb/yd ³	1,517	1,685	1,854	2,022	2,191	2,359	2,528	2,696	2,865	3,033	3,202	3,370	3,539	3,707	3,876	4,044	
Bucket Fill Factor 115% 110% 105% 100% 95% 																		

Note: All buckets are showing Bolt-On Edges.

Operating Specifications – Buckets

Linkage		Standard Linkage					
Bucket Type		General Purpose – Pin-On					
Edge Type		Bolt-On Cutting Edges	Tips	Teeth and Segments	Bolt-On Cutting Edges	Tips	Teeth and Segments
Capacity – Rated	m ³	3.80	3.60	3.80	4.00	3.80	4.00
	yd ³	5.00	4.75	5.00	5.25	5.00	5.25
Capacity – Rated at 110% Fill Factor	m ³	4.20	4.00	4.20	4.40	4.20	4.40
	yd ³	5.50	5.25	5.50	5.75	5.50	5.75
Width	mm	3220	3271	3301	3220	3271	3301
	ft/in	10'6"	10'8"	10'9"	10'6"	10'8"	10'9"
16 † Dump Clearance at Maximum Lift and 45° Discharge	mm	3077	2925	2901	3068	2915	2892
	ft/in	10'1"	9'7"	9'6"	10'0"	9'6"	9'5"
17 † Reach at Maximum Lift and 45° Discharge	mm	1289	1429	1422	1296	1435	1427
	ft/in	4'2"	4'8"	4'7"	4'3"	4'8"	4'8"
Reach at Level Lift Arm and Bucket Level	mm	2701	2905	2916	2712	2917	2926
	ft/in	8'10"	9'6"	9'6"	8'10"	9'6"	9'7"
A † Digging Depth	mm	114	84	114	114	84	114
	in	4.5"	3.3"	4.5"	4.5"	3.3"	4.5"
12 † Overall Length	mm	8753	8978	9007	8765	8990	9017
	ft/in	28'9"	29'6"	29'7"	28'10"	29'6"	29'7"
B † Overall Height with Bucket at Maximum Lift	mm	5787	5787	5787	5898	5898	5898
	ft/in	19'0"	19'0"	19'0"	19'5"	19'5"	19'5"
Loader Clearance Circle Radius with Bucket at Carry Position	mm	7488	7572	7597	7491	7575	7600
	ft/in	24'7"	24'11"	25'0"	24'7"	24'11"	25'0"
Static Tipping Load, Straight (With tire deflection)	kg	17 116	17 132	16 821	17 098	17 151	16 861
	lb	37,724	37,761	37,074	37,685	37,801	37,163
Static Tipping Load, Straight (No tire deflection)	kg	18 240	18 243	17 927	18 232	18 285	17 992
	lb	40,202	40,209	39,513	40,185	40,301	39,654
Static Tipping Load, Articulated (With tire deflection)	kg	15 058	15 066	14 770	15 037	15 074	14 799
	lb	33,189	33,207	32,554	33,142	33,223	32,619
Static Tipping Load, Articulated (No tire deflection)	kg	16 189	16 183	15 884	16 177	16 214	15 936
	lb	35,681	35,669	35,008	35,656	35,735	35,124
Breakout Force (§)	kN	187	199	185	185	197	183
	lbf	42,167	44,924	41,580	41,712	44,412	41,134
Operating Weight*	kg	23 088	23 063	23 262	23 140	23 115	23 311
	lb	50,886	50,830	51,269	51,001	50,945	51,377

* Static tipping loads and operating weights shown are based on a machine configuration with Bridgestone 26.5R25 VJT L3 radial tires, full fluids, operator, standard counterweight, ride control, cold start, roading fenders, Product Link™, manual diff lock/open axles (front and rear), power train guard, secondary steering and sound suppression.

† Illustration shown with Dimension charts.

*** Rock bucket specifications are given on Bridgestone 26.5R25 VSDL L5 radial tires.

(§) Measured 100 mm (4") behind tip of cutting edge with bucket hinge pin as pivot point in accordance with ISO 14397-2:2007.

(With tire deflection) Full compliance to ISO 14397-1:2007 Sections 1 thru 6, which requires 2% verification between calculations and testing.

(No tire deflection) Compliance to ISO 14397-1:2007 Sections 1 thru 5.

Other buckets are available and offerings vary by region. Consult your local Cat dealer for further details.

966 Wheel Loader Specifications

Operating Specifications – Buckets (continued)

Linkage		Standard Linkage					
Bucket Type		General Purpose – Pin-On					
Edge Type		Bolt-On Cutting Edges	Tips	Teeth and Segments	Bolt-On Cutting Edges	Teeth and Segments	Tips
Capacity – Rated	m ³	4.20	4.00	4.20	4.60	4.60	4.40
	yd ³	5.50	5.25	5.50	6.00	6.00	5.75
Capacity – Rated at 110% Fill Factor	m ³	4.60	4.40	4.60	5.10	5.10	4.80
	yd ³	6.00	5.75	6.00	6.75	6.75	6.25
Width	mm	3220	3271	3301	3264	3301	3301
	ft/in	10'6"	10'8"	10'9"	10'8"	10'9"	10'9"
16† Dump Clearance at Maximum Lift and 45° Discharge	mm	3001	2847	2832	2987	2829	2829
	ft/in	9'10"	9'4"	9'3"	9'9"	9'3"	9'3"
17† Reach at Maximum Lift and 45° Discharge	mm	1350	1487	1487	1361	1497	1497
	ft/in	4'5"	4'10"	4'10"	4'5"	4'10"	4'10"
Reach at Level Lift Arm and Bucket Level	mm	2800	3005	3015	2818	3024	3024
	ft/in	9'2"	9'10"	9'10"	9'2"	9'11"	9'11"
A† Digging Depth	mm	114	84	114	114	114	84
	in	4.5"	3.3"	4.5"	4.5"	4.5"	3.3"
12† Overall Length	mm	8852	9077	9096	8870	9101	9101
	ft/in	29'1"	29'10"	29'11"	29'2"	29'11"	29'11"
B† Overall Height with Bucket at Maximum Lift	mm	5898	5898	5898	6021	6021	6021
	ft/in	19'5"	19'5"	19'5"	19'10"	19'10"	19'10"
Loader Clearance Circle Radius with Bucket at Carry Position	mm	7512	7598	7618	7537	7618	7618
	ft/in	24'8"	25'0"	25'0"	24'9"	25'0"	25'0"
Static Tipping Load, Straight (With tire deflection)	kg	16 896	16 955	16 691	16 885	16 578	16 928
	lb	37,239	37,369	36,787	37,214	36,538	37,311
Static Tipping Load, Straight (No tire deflection)	kg	18 022	18 081	17 814	18 037	17 724	18 088
	lb	39,720	39,852	39,262	39,754	39,065	39,867
Static Tipping Load, Articulated (With tire deflection)	kg	14 849	14 892	14 643	14 827	14 520	14 855
	lb	32,727	32,822	32,275	32,679	32,003	32,741
Static Tipping Load, Articulated (No tire deflection)	kg	15 981	16 024	15 773	15 985	15 673	16 020
	lb	35,224	35,317	34,764	35,232	34,544	35,310
Breakout Force (§)	kN	173	184	171	170	167	179
	lbf	38,999	41,363	38,523	38,302	37,614	40,230
Operating Weight*	kg	23 196	23 171	23 341	23 279	23 451	23 290
	lb	51,124	51,068	51,443	51,307	51,686	51,331

*Static tipping loads and operating weights shown are based on a machine configuration with Bridgestone 26.5R25 VJT L3 radial tires, full fluids, operator, standard counterweight, ride control, cold start, roading fenders, Product Link™, manual diff lock/open axles (front and rear), power train guard, secondary steering and sound suppression.

† Illustration shown with Dimension charts.

***Rock bucket specifications are given on Bridgestone 26.5R25 VSDL L5 radial tires.

(§) Measured 100 mm (4") behind tip of cutting edge with bucket hinge pin as pivot point in accordance with ISO 14397-2:2007.

(With tire deflection) Full compliance to ISO 14397-1:2007 Sections 1 thru 6, which requires 2% verification between calculations and testing.

(No tire deflection) Compliance to ISO 14397-1:2007 Sections 1 thru 5.

Other buckets are available and offerings vary by region. Consult your local Cat dealer for further details.

966 Wheel Loader Specifications

Operating Specifications – Buckets *(continued)*

Linkage		Standard Linkage					
Bucket Type		General Purpose – Hook-On – Fusion™					
Edge Type		Bolt-On Cutting Edges	Teeth and Segments	Tips	Bolt-On Cutting Edges	Teeth and Segments	Tips
Capacity – Rated	m ³	3.80	3.80	3.60	4.00	4.00	3.80
	yd ³	5.00	5.00	4.75	5.25	5.25	5.00
Capacity – Rated at 110% Fill Factor	m ³	4.20	4.20	4.00	4.40	4.40	4.20
	yd ³	5.50	5.50	5.25	5.75	5.75	5.50
Width	mm	3220	3271	3271	3201	3201	3201
	ft/in	10'6"	10'8"	10'8"	10'6"	10'6"	10'6"
16† Dump Clearance at Maximum Lift and 45° Discharge	mm	3048	2896	2896	3035	2880	2880
	ft/in	10'0"	9'6"	9'6"	9'11"	9'5"	9'5"
17† Reach at Maximum Lift and 45° Discharge	mm	1324	1463	1463	1327	1468	1468
	ft/in	4'4"	4'9"	4'9"	4'4"	4'9"	4'9"
Reach at Level Lift Arm and Bucket Level	mm	2745	2950	2950	2757	2965	2965
	ft/in	9'0"	9'8"	9'8"	9'0"	9'8"	9'8"
A† Digging Depth	mm	114	114	84	84	84	84
	in	4.5"	4.5"	3.3"	3.3"	3.3"	3.3"
12† Overall Length	mm	8798	9023	9023	8813	9042	9042
	ft/in	28'11"	29'8"	29'8"	28'11"	29'8"	29'8"
B† Overall Height with Bucket at Maximum Lift	mm	5813	5813	5813	5929	5929	5929
	ft/in	19'1"	19'1"	19'1"	19'6"	19'6"	19'6"
Loader Clearance Circle Radius with Bucket at Carry Position	mm	7512	7601	7601	7508	7575	7575
	ft/in	24'8"	25'0"	25'0"	24'8"	24'11"	24'11"
Static Tipping Load, Straight (With tire deflection)	kg	16 536	16 354	16 701	16 488	16 272	16 634
	lb	36,446	36,045	36,809	36,339	35,865	36,663
Static Tipping Load, Straight (No tire deflection)	kg	17 637	17 453	17 813	17 601	17 383	17 761
	lb	38,872	38,466	39,260	38,793	38,313	39,146
Static Tipping Load, Articulated (With tire deflection)	kg	14 505	14 322	14 653	14 456	14 241	14 585
	lb	31,969	31,567	32,297	31,862	31,388	32,147
Static Tipping Load, Articulated (No tire deflection)	kg	15 613	15 429	15 772	15 576	15 359	15 719
	lb	34,411	34,005	34,763	34,331	33,851	34,645
Breakout Force (§)	kN	180	179	192	190	188	189
	lbf	40,648	40,284	43,214	42,726	42,275	42,640
Operating Weight*	kg	23 503	23 641	23 478	23 551	23 713	23 547
	lb	51,801	52,105	51,745	51,906	52,263	51,897

*Static tipping loads and operating weights shown are based on a machine configuration with Bridgestone 26.5R25 VJT L3 radial tires, full fluids, operator, standard counterweight, ride control, cold start, roading fenders, Product Link™, manual diff lock/open axles (front and rear), power train guard, secondary steering and sound suppression.

† Illustration shown with Dimension charts.

***Rock bucket specifications are given on Bridgestone 26.5R25 VSDL L5 radial tires.

(§) Measured 100 mm (4") behind tip of cutting edge with bucket hinge pin as pivot point in accordance with ISO 14397-2:2007.

(With tire deflection) Full compliance to ISO 14397-1:2007 Sections 1 thru 6, which requires 2% verification between calculations and testing.

(No tire deflection) Compliance to ISO 14397-1:2007 Sections 1 thru 5.

Other buckets are available and offerings vary by region. Consult your local Cat dealer for further details.

966 Wheel Loader Specifications

Operating Specifications – Buckets *(continued)*

Linkage		Standard Linkage					
Bucket Type		General Purpose – Hook-On – Fusion					
Edge Type		Bolt-On Cutting Edges	Teeth and Segments	Tips	Bolt-On Cutting Edges	Teeth and Segments	Tips
Capacity – Rated	m ³	4.20	4.20	4.00	4.60	4.60	4.40
	yd ³	5.50	5.50	5.25	6.00	6.00	5.75
Capacity – Rated at 110% Fill Factor	m ³	4.60	4.60	4.40	5.10	5.10	4.80
	yd ³	6.00	6.00	5.75	6.75	6.75	6.25
Width	mm	3220	3271	3271	3220	3271	3271
	ft/in	10'6"	10'8"	10'8"	10'6"	10'8"	10'8"
16† Dump Clearance at Maximum Lift and 45° Discharge	mm	2970	2816	2816	2957	2803	2803
	ft/in	9'8"	9'2"	9'2"	9'8"	9'2"	9'2"
17† Reach at Maximum Lift and 45° Discharge	mm	1395	1533	1533	1398	1535	1535
	ft/in	4'6"	5'0"	5'0"	4'7"	5'0"	5'0"
Reach at Level Lift Arm and Bucket Level	mm	2855	3059	3059	2865	3070	3070
	ft/in	9'4"	10'0"	10'0"	9'4"	10'0"	10'0"
A† Digging Depth	mm	106	106	76	113	113	83
	in	4.2"	4.2"	3.0"	4.4"	4.4"	3.2"
12† Overall Length	mm	8900	9126	9126	8916	9142	9142
	ft/in	29'3"	30'0"	30'0"	29'4"	30'0"	30'0"
B† Overall Height with Bucket at Maximum Lift	mm	5970	5970	5970	6048	6048	6048
	ft/in	19'8"	19'8"	19'8"	19'11"	19'11"	19'11"
Loader Clearance Circle Radius with Bucket at Carry Position	mm	7539	7629	7629	7544	7634	7634
	ft/in	24'9"	25'1"	25'1"	24'9"	25'1"	25'1"
Static Tipping Load, Straight (With tire deflection)	kg	16 266	16 083	16 423	16 391	16 205	16 541
	lb	35,851	35,448	36,197	36,126	35,716	36,456
Static Tipping Load, Straight (No tire deflection)	kg	17 366	17 180	17 533	17 532	17 344	17 695
	lb	38,274	37,866	38,644	38,642	38,226	39,000
Static Tipping Load, Articulated (With tire deflection)	kg	14 255	14 072	14 397	14 351	14 165	14 486
	lb	31,419	31,015	31,731	31,630	31,219	31,929
Static Tipping Load, Articulated (No tire deflection)	kg	15 362	15 177	15 514	15 499	15 310	15 647
	lb	33,859	33,451	34,194	34,160	33,744	34,486
Breakout Force (§)	kN	166	164	176	164	163	174
	lbf	37,396	37,040	39,580	37,021	36,663	39,164
Operating Weight*	kg	23 567	23 705	23 541	23 681	23 819	23 656
	lb	51,940	52,244	51,884	52,192	52,496	52,136

*Static tipping loads and operating weights shown are based on a machine configuration with Bridgestone 26.5R25 VJT L3 radial tires, full fluids, operator, standard counterweight, ride control, cold start, roading fenders, Product Link™, manual diff lock/open axles (front and rear), power train guard, secondary steering and sound suppression.

† Illustration shown with Dimension charts.

***Rock bucket specifications are given on Bridgestone 26.5R25 VSDL L5 radial tires.

(§) Measured 100 mm (4") behind tip of cutting edge with bucket hinge pin as pivot point in accordance with ISO 14397-2:2007.

(With tire deflection) Full compliance to ISO 14397-1:2007 Sections 1 thru 6, which requires 2% verification between calculations and testing.

(No tire deflection) Compliance to ISO 14397-1:2007 Sections 1 thru 5.

Other buckets are available and offerings vary by region. Consult your local Cat dealer for further details.

Operating Specifications – Buckets *(continued)*

Linkage		Standard Linkage	
Bucket Type		General Purpose – Hook-On – VCE	
Edge Type		Bolt-On Cutting Edges	Bolt-On Cutting Edges
Capacity – Rated	m ³	4.00	4.40
	yd ³	5.25	5.75
Capacity – Rated at 110% Fill Factor	m ³	4.40	4.80
	yd ³	5.75	6.25
Width	mm	3220	3220
	ft/in	10'6"	10'6"
16† Dump Clearance at Maximum Lift and 45° Discharge	mm	2915	2851
	ft/in	9'6"	9'4"
17† Reach at Maximum Lift and 45° Discharge	mm	1484	1530
	ft/in	4'10"	5'0"
Reach at Level Lift Arm and Bucket Level	mm	2954	3034
	ft/in	9'8"	9'11"
A† Digging Depth	mm	108	108
	in	4.2"	4.2"
12† Overall Length	mm	9002	9082
	ft/in	29'7"	29'10"
B† Overall Height with Bucket at Maximum Lift	mm	5988	6106
	ft/in	19'8"	20'1"
Loader Clearance Circle Radius with Bucket at Carry Position	mm	7551	7574
	ft/in	24'10"	24'11"
Static Tipping Load, Straight (With tire deflection)	kg	15 424	15 286
	lb	33,995	33,692
Static Tipping Load, Straight (No tire deflection)	kg	16 479	16 356
	lb	36,321	36,050
Static Tipping Load, Articulated (With tire deflection)	kg	13 485	13 348
	lb	29,721	29,420
Static Tipping Load, Articulated (No tire deflection)	kg	14 550	14 428
	lb	32,069	31,800
Breakout Force (§)	kN	153	145
	lbf	34,572	32,680
Operating Weight*	kg	23 771	23 877
	lb	52,391	52,625

*Static tipping loads and operating weights shown are based on a machine configuration with Bridgestone 26.5R25 VJT L3 radial tires, full fluids, operator, standard counterweight, ride control, cold start, roading fenders, Product Link™, manual diff lock/open axles (front and rear), power train guard, secondary steering and sound suppression.

† Illustration shown with Dimension charts.

***Rock bucket specifications are given on Bridgestone 26.5R25 VSDL L5 radial tires.

(§) Measured 100 mm (4") behind tip of cutting edge with bucket hinge pin as pivot point in accordance with ISO 14397-2:2007.

(With tire deflection) Full compliance to ISO 14397-1:2007 Sections 1 thru 6, which requires 2% verification between calculations and testing.

(No tire deflection) Compliance to ISO 14397-1:2007 Sections 1 thru 5.

Other buckets are available and offerings vary by region. Consult your local Cat dealer for further details.

966 Wheel Loader Specifications

Operating Specifications – Buckets (continued)

Linkage		Standard Linkage					
Bucket Type		Material Handling – Pin-On – Flat Floor					
Edge Type		Bolt-On Cutting Edges	Teeth and Segments	Tips	Bolt-On Cutting Edges	Teeth and Segments	Tips
Capacity – Rated	m ³	4.20	4.20	4.00	4.60	4.60	4.40
	yd ³	5.50	5.50	5.25	6.00	6.00	5.75
Capacity – Rated at 110% Fill Factor	m ³	4.60	4.60	4.40	5.10	5.10	4.90
	yd ³	6.00	6.00	5.75	6.75	6.75	6.50
Width	mm	3220	3271	3271	3220	3271	3271
	ft/in	10'6"	10'8"	10'8"	10'6"	10'8"	10'8"
16† Dump Clearance at Maximum Lift and 45° Discharge	mm	2959	2797	2797	2903	2740	2740
	ft/in	9'8"	9'2"	9'2"	9'6"	8'11"	8'11"
17† Reach at Maximum Lift and 45° Discharge	mm	1242	1369	1369	1299	1426	1426
	ft/in	4'0"	4'5"	4'5"	4'3"	4'8"	4'8"
Reach at Level Lift Arm and Bucket Level	mm	2771	2975	2975	2851	3055	3055
	ft/in	9'1"	9'9"	9'9"	9'4"	10'0"	10'0"
A† Digging Depth	mm	114	114	84	114	114	84
	in	4.5"	4.5"	3.3"	4.5"	4.5"	3.3"
12† Overall Length	mm	8823	9048	9048	8903	9128	9128
	ft/in	29'0"	29'9"	29'9"	29'3"	30'0"	30'0"
B† Overall Height with Bucket at Maximum Lift	mm	5911	5911	5911	5992	5992	5992
	ft/in	19'5"	19'5"	19'5"	19'8"	19'8"	19'8"
Loader Clearance Circle Radius with Bucket at Carry Position	mm	7504	7589	7589	7524	7610	7610
	ft/in	24'8"	24'11"	24'11"	24'9"	25'0"	25'0"
Static Tipping Load, Straight (With tire deflection)	kg	16 818	16 635	16 968	16 676	16 491	16 823
	lb	37,067	36,664	37,399	36,754	36,347	37,077
Static Tipping Load, Straight (No tire deflection)	kg	17 924	17 739	18 084	17 793	17 606	17 950
	lb	39,504	39,096	39,858	39,217	38,805	39,562
Static Tipping Load, Articulated (With tire deflection)	kg	14 785	14 601	14 919	14 646	14 461	14 777
	lb	32,586	32,182	32,883	32,280	31,873	32,570
Static Tipping Load, Articulated (No tire deflection)	kg	15 898	15 713	16 042	15 771	15 584	15 912
	lb	35,039	34,631	35,357	34,760	34,347	35,070
Breakout Force (§)	kN	177	175	188	166	165	176
	lbf	39,850	39,488	42,318	37,495	37,136	39,687
Operating Weight*	kg	23 193	23 331	23 168	23 282	23 419	23 256
	lb	51,118	51,422	51,062	51,312	51,616	51,256

*Static tipping loads and operating weights shown are based on a machine configuration with Bridgestone 26.5R25 VJT L3 radial tires, full fluids, operator, standard counterweight, ride control, cold start, roading fenders, Product Link™, manual diff lock/open axles (front and rear), power train guard, secondary steering and sound suppression.

† Illustration shown with Dimension charts.

***Rock bucket specifications are given on Bridgestone 26.5R25 VSDL L5 radial tires.

(§) Measured 100 mm (4") behind tip of cutting edge with bucket hinge pin as pivot point in accordance with ISO 14397-2:2007.

(With tire deflection) Full compliance to ISO 14397-1:2007 Sections 1 thru 6, which requires 2% verification between calculations and testing.

(No tire deflection) Compliance to ISO 14397-1:2007 Sections 1 thru 5.

Other buckets are available and offerings vary by region. Consult your local Cat dealer for further details.

966 Wheel Loader Specifications

Operating Specifications – Buckets (continued)

Linkage		Standard Linkage					
Bucket Type		Material Handling – Pin-On – Flat Floor			Material Handling – Pin-On – Flat Floor – Abrasion		
		Bolt-On Cutting Edges	Teeth and Segments	Tips	Bolt-On Cutting Edges	Teeth and Segments	Tips
Capacity – Rated	m ³	4.80	4.80	4.60	4.40	4.40	4.20
	yd ³	6.25	6.25	6.00	5.75	5.75	5.50
Capacity – Rated at 110% Fill Factor	m ³	5.30	5.30	5.10	4.80	4.90	4.70
	yd ³	7.00	7.00	6.75	6.25	6.50	6.25
Width	mm	3220	3271	3271	3220	3301	3301
	ft/in	10'6"	10'8"	10'8"	10'6"	10'9"	10'9"
16 † Dump Clearance at Maximum Lift and 45° Discharge	mm	2875	2712	2712	2932	2770	2770
	ft/in	9'5"	8'10"	8'10"	9'7"	9'1"	9'1"
17 † Reach at Maximum Lift and 45° Discharge	mm	1327	1454	1454	1269	1401	1401
	ft/in	4'4"	4'9"	4'9"	4'1"	4'7"	4'7"
Reach at Level Lift Arm and Bucket Level	mm	2891	3095	3095	2809	3017	3017
	ft/in	9'5"	10'1"	10'1"	9'2"	9'10"	9'10"
A † Digging Depth	mm	114	114	84	114	114	84
	in	4.5"	4.5"	3.3"	4.5"	4.5"	3.3"
12 † Overall Length	mm	8943	9168	9168	8861	9087	9087
	ft/in	29'5"	30'1"	30'1"	29'1"	29'10"	29'10"
B † Overall Height with Bucket at Maximum Lift	mm	6033	6033	6033	5943	5943	5943
	ft/in	19'10"	19'10"	19'10"	19'6"	19'6"	19'6"
Loader Clearance Circle Radius with Bucket at Carry Position	mm	7534	7620	7620	7513	7612	7612
	ft/in	24'9"	25'0"	25'0"	24'8"	25'0"	25'0"
Static Tipping Load, Straight (With tire deflection)	kg	16 603	16 417	16 748	16 620	16 407	16 743
	lb	36,594	36,184	36,913	36,631	36,162	36,902
Static Tipping Load, Straight (No tire deflection)	kg	17 726	17 538	17 881	17 732	17 517	17 865
	lb	39,070	38,655	39,411	39,082	38,607	39,374
Static Tipping Load, Articulated (With tire deflection)	kg	14 575	14 389	14 705	14 587	14 374	14 695
	lb	32,124	31,714	32,410	32,150	31,680	32,389
Static Tipping Load, Articulated (No tire deflection)	kg	15 706	15 518	15 845	15 707	15 491	15 824
	lb	34,616	34,201	34,923	34,618	34,143	34,877
Breakout Force (§)	kN	162	160	171	171	169	181
	lbf	36,405	36,047	38,475	38,560	38,151	40,779
Operating Weight*	kg	23 328	23 466	23 302	23 375	23 533	23 372
	lb	51,413	51,717	51,358	51,518	51,867	51,510

*Static tipping loads and operating weights shown are based on a machine configuration with Bridgestone 26.5R25 VJT L3 radial tires, full fluids, operator, standard counterweight, ride control, cold start, roading fenders, Product Link™, manual diff lock/open axles (front and rear), power train guard, secondary steering and sound suppression.

† Illustration shown with Dimension charts.

***Rock bucket specifications are given on Bridgestone 26.5R25 VSDL L5 radial tires.

(§) Measured 100 mm (4") behind tip of cutting edge with bucket hinge pin as pivot point in accordance with ISO 14397-2:2007.

(With tire deflection) Full compliance to ISO 14397-1:2007 Sections 1 thru 6, which requires 2% verification between calculations and testing.

(No tire deflection) Compliance to ISO 14397-1:2007 Sections 1 thru 5.

Other buckets are available and offerings vary by region. Consult your local Cat dealer for further details.

966 Wheel Loader Specifications

Operating Specifications – Buckets (continued)

Linkage		Standard Linkage						
Bucket Type	Edge Type	Material Handling – Pin-On – Flat Floor – Abrasion						Material Handling – Pin-On – Flat Floor
		Bolt-On Cutting Edges	Bolt-On Cutting Edges	Bolt-On Cutting Edges	Bolt-On Cutting Edges	Bolt-On Cutting Edges	Bolt-On Cutting Edges	
Capacity – Rated	m ³	4.20	4.40	4.60	4.60	4.80	4.60	
	yd ³	5.50	5.75	6.00	6.00	6.25	6.00	
Capacity – Rated at 110% Fill Factor	m ³	4.60	4.80	5.10	5.10	5.30	5.10	
	yd ³	6.00	6.25	6.75	6.75	7.00	6.75	
Width	mm	2995	2995	2995	3220	3230	2995	
	ft/in	9'9"	9'9"	9'9"	10'6"	10'7"	9'9"	
16† Dump Clearance at Maximum Lift and 45° Discharge	mm	2904	2877	2855	2903	2875	2855	
	ft/in	9'6"	9'5"	9'4"	9'6"	9'5"	9'4"	
17† Reach at Maximum Lift and 45° Discharge	mm	1298	1325	1347	1299	1320	1347	
	ft/in	4'3"	4'4"	4'5"	4'3"	4'3"	4'5"	
Reach at Level Lift Arm and Bucket Level	mm	2849	2888	2919	2851	2886	2919	
	ft/in	9'4"	9'5"	9'6"	9'4"	9'5"	9'6"	
A† Digging Depth	mm	114	114	114	114	119	114	
	in	4.5"	4.5"	4.5"	4.5"	4.7"	4.5"	
12† Overall Length	mm	8901	8940	8971	8903	8942	8971	
	ft/in	29'3"	29'4"	29'6"	29'3"	29'5"	29'6"	
B† Overall Height with Bucket at Maximum Lift	mm	5984	6024	6056	5984	6033	6057	
	ft/in	19'8"	19'10"	19'11"	19'8"	19'10"	19'11"	
Loader Clearance Circle Radius with Bucket at Carry Position	mm	7420	7430	7438	7524	7539	7438	
	ft/in	24'5"	24'5"	24'5"	24'9"	24'9"	24'5"	
Static Tipping Load, Straight (With tire deflection)	kg	16 690	16 460	16 404	16 569	16 465	16 572	
	lb	36,786	36,278	36,155	36,519	36,290	36,524	
Static Tipping Load, Straight (No tire deflection)	kg	17 792	17 566	17 520	17 673	17 587	17 689	
	lb	39,215	38,716	38,615	38,952	38,761	38,987	
Static Tipping Load, Articulated (With tire deflection)	kg	14 672	14 443	14 386	14 550	14 437	14 554	
	lb	32,337	31,834	31,708	32,070	31,821	32,078	
Static Tipping Load, Articulated (No tire deflection)	kg	15 782	15 557	15 510	15 662	15 566	15 679	
	lb	34,783	34,289	34,185	34,520	34,308	34,557	
Breakout Force (§)	kN	167	162	158	166	161	159	
	lbf	37,650	36,432	35,594	37,473	36,323	35,756	
Operating Weight*	kg	23 179	23 378	23 432	23 299	23 437	23 269	
	lb	51,086	51,525	51,644	51,351	51,655	51,285	

*Static tipping loads and operating weights shown are based on a machine configuration with Bridgestone 26.5R25 VJT L3 radial tires, full fluids, operator, standard counterweight, ride control, cold start, roading fenders, Product Link™, manual diff lock/open axles (front and rear), power train guard, secondary steering and sound suppression.

† Illustration shown with Dimension charts.

***Rock bucket specifications are given on Bridgestone 26.5R25 VSDL L5 radial tires.

(§) Measured 100 mm (4") behind tip of cutting edge with bucket hinge pin as pivot point in accordance with ISO 14397-2:2007.

(With tire deflection) Full compliance to ISO 14397-1:2007 Sections 1 thru 6, which requires 2% verification between calculations and testing.

(No tire deflection) Compliance to ISO 14397-1:2007 Sections 1 thru 5.

Other buckets are available and offerings vary by region. Consult your local Cat dealer for further details.

Operating Specifications – Buckets (continued)

Linkage		Standard Linkage					
Bucket Type		Material Handling – Pin-On – Abrasion BGE	Material Handling – Pin-On – Flat Floor – Abrasion BGE FMT	Material Handling – Pin-On – Flat Floor – Abrasion BGE		Material Handling – Pin-On – Flat Floor – BGE FMT	
		Bolt-On Cutting Edges	Tips	Bolt-On Cutting Edges	Bolt-On Cutting Edges	Tips	Tips
Capacity – Rated	m ³	4.20	4.20	4.40	4.40	4.40	4.40
	yd ³	5.50	5.50	5.75	5.75	5.75	5.75
Capacity – Rated at 110% Fill Factor	m ³	4.60	4.60	4.80	4.80	4.80	4.80
	yd ³	6.00	6.00	6.25	6.25	6.25	6.25
Width	mm	2995	2996	3220	2995	3312	2996
	ft/in	9'9"	9'9"	10'6"	9'9"	10'10"	9'9"
16† Dump Clearance at Maximum Lift and 45° Discharge	mm	2904	2706	2931	2872	2762	2695
	ft/in	9'6"	8'10"	9'7"	9'5"	9'0"	8'10"
17† Reach at Maximum Lift and 45° Discharge	mm	1298	1529	1271	1329	1473	1540
	ft/in	4'3"	5'0"	4'2"	4'4"	4'10"	5'0"
Reach at Level Lift Arm and Bucket Level	mm	2849	3153	2811	2894	3073	3168
	ft/in	9'4"	10'4"	9'2"	9'5"	10'1"	10'4"
A† Digging Depth	mm	114	89	114	114	89	89
	in	4.5"	3.5"	4.5"	4.5"	3.5"	3.5"
12† Overall Length	mm	8901	9186	8863	8946	9106	9201
	ft/in	29'3"	30'2"	29'1"	29'5"	29'11"	30'3"
B† Overall Height with Bucket at Maximum Lift	mm	5986	6058	5945	6031	5984	6078
	ft/in	19'8"	19'11"	19'7"	19'10"	19'8"	20'0"
Loader Clearance Circle Radius with Bucket at Carry Position	mm	7420	7492	7514	7432	7615	7496
	ft/in	24'5"	24'7"	24'8"	24'5"	25'0"	24'8"
Static Tipping Load, Straight (With tire deflection)	kg	16 243	16 168	16 144	16 111	16 191	16 140
	lb	35,799	35,636	35,583	35,509	35,687	35,573
Static Tipping Load, Straight (No tire deflection)	kg	17 337	17 281	17 235	17 210	17 297	17 255
	lb	38,211	38,088	37,987	37,931	38,123	38,031
Static Tipping Load, Articulated (With tire deflection)	kg	14 224	14 141	14 123	14 095	14 157	14 112
	lb	31,351	31,167	31,127	31,066	31,204	31,104
Static Tipping Load, Articulated (No tire deflection)	kg	15 326	15 260	15 222	15 202	15 270	15 235
	lb	33,780	33,635	33,549	33,505	33,656	33,578
Breakout Force (§)	kN	166	164	170	160	174	162
	lbf	37,323	37,053	38,221	36,026	39,287	36,608
Operating Weight*	kg	23 579	23 702	23 699	23 663	23 746	23 714
	lb	51,968	52,239	52,232	52,153	52,336	52,265

*Static tipping loads and operating weights shown are based on a machine configuration with Bridgestone 26.5R25 VJT L3 radial tires, full fluids, operator, standard counterweight, ride control, cold start, roading fenders, Product Link™, manual diff lock/open axles (front and rear), power train guard, secondary steering and sound suppression.

† Illustration shown with Dimension charts.

***Rock bucket specifications are given on Bridgestone 26.5R25 VSDL L5 radial tires.

(§) Measured 100 mm (4") behind tip of cutting edge with bucket hinge pin as pivot point in accordance with ISO 14397-2:2007.

(With tire deflection) Full compliance to ISO 14397-1:2007 Sections 1 thru 6, which requires 2% verification between calculations and testing.

(No tire deflection) Compliance to ISO 14397-1:2007 Sections 1 thru 5.

Other buckets are available and offerings vary by region. Consult your local Cat dealer for further details.

966 Wheel Loader Specifications

Operating Specifications – Buckets (continued)

Linkage		Standard Linkage					
Bucket Type	Edge Type	Material Handling – Pin-On – Flat Floor – Abrasion BGE FMT		Material Handling – Pin-On – Flat Floor – BGE		Material Handling – Pin-On – Flat Floor – Abrasion BGE	
		Tips	Tips	Bolt-On Cutting Edges	Bolt-On Cutting Edges	Bolt-On Cutting Edges	Bolt-On Cutting Edges
Capacity – Rated	m ³	4.40	4.40	4.60	4.60	4.60	4.60
	yd ³	5.75	5.75	6.00	6.00	6.00	6.00
Capacity – Rated at 110% Fill Factor	m ³	4.80	4.80	5.10	5.10	5.10	5.10
	yd ³	6.25	6.25	6.75	6.75	6.75	6.75
Width	mm	3312	2996	3220	2995	3220	2995
	ft/in	10'10"	9'9"	10'6"	9'9"	10'6"	9'9"
16† Dump Clearance at Maximum Lift and 45° Discharge	mm	2762	2692	2903	2855	2903	2855
	ft/in	9'0"	8'9"	9'6"	9'4"	9'6"	9'4"
17† Reach at Maximum Lift and 45° Discharge	mm	1473	1543	1299	1347	1299	1347
	ft/in	4'10"	5'0"	4'3"	4'5"	4'3"	4'5"
Reach at Level Lift Arm and Bucket Level	mm	3073	3173	2851	2919	2851	2919
	ft/in	10'1"	10'4"	9'4"	9'6"	9'4"	9'6"
A† Digging Depth	mm	89	89	114	114	114	114
	in	3.5"	3.5"	4.5"	4.5"	4.5"	4.5"
12† Overall Length	mm	9106	9206	8903	8971	8903	8971
	ft/in	29'11"	30'3"	29'3"	29'6"	29'3"	29'6"
B† Overall Height with Bucket at Maximum Lift	mm	5984	6087	5984	6057	5987	6057
	ft/in	19'8"	20'0"	19'8"	19'11"	19'8"	19'11"
Loader Clearance Circle Radius with Bucket at Carry Position	mm	7615	7498	7524	7438	7524	7438
	ft/in	25'0"	24'8"	24'9"	24'5"	24'9"	24'5"
Static Tipping Load, Straight (With tire deflection)	kg	16 185	16 122	16 044	16 073	16 045	16 040
	lb	35,673	35,534	35,363	35,426	35,364	35,354
Static Tipping Load, Straight (No tire deflection)	kg	17 291	17 238	17 139	17 181	17 140	17 149
	lb	38,109	37,994	37,776	37,868	37,777	37,797
Static Tipping Load, Articulated (With tire deflection)	kg	14 151	14 095	14 026	14 056	14 026	14 023
	lb	31,190	31,067	30,913	30,979	30,914	30,907
Static Tipping Load, Articulated (No tire deflection)	kg	15 264	15 219	15 128	15 171	15 129	15 139
	lb	33,642	33,542	33,343	33,438	33,344	33,367
Breakout Force (§)	kN	174	162	164	157	164	157
	lbf	39,257	36,487	37,055	35,358	37,055	35,324
Operating Weight*	kg	23 748	23 735	23 762	23 701	23 761	23 738
	lb	52,340	52,312	52,371	52,237	52,369	52,318

*Static tipping loads and operating weights shown are based on a machine configuration with Bridgestone 26.5R25 VJT L3 radial tires, full fluids, operator, standard counterweight, ride control, cold start, roading fenders, Product Link™, manual diff lock/open axles (front and rear), power train guard, secondary steering and sound suppression.

† Illustration shown with Dimension charts.

***Rock bucket specifications are given on Bridgestone 26.5R25 VSDL L5 radial tires.

(§) Measured 100 mm (4") behind tip of cutting edge with bucket hinge pin as pivot point in accordance with ISO 14397-2:2007.

(With tire deflection) Full compliance to ISO 14397-1:2007 Sections 1 thru 6, which requires 2% verification between calculations and testing.

(No tire deflection) Compliance to ISO 14397-1:2007 Sections 1 thru 5.

Other buckets are available and offerings vary by region. Consult your local Cat dealer for further details.

966 Wheel Loader Specifications

Operating Specifications – Buckets (continued)

Linkage		Standard Linkage					
		Material Handling – Pin-On – Flat Floor – Abrasion BGE FMT		Material Handling – Pin-On – Flat Floor – BGE FMT		Material Handling – Pin-On – Flat Floor – Heavy Duty	
Bucket Type							
Edge Type		Tips	Tips	Tips	Bolt-On Cutting Edges	Teeth and Segments	Tips
Capacity – Rated	m ³	4.60	4.60	4.60	4.60	4.60	4.40
	yd ³	6.00	6.00	6.00	6.00	6.00	5.75
Capacity – Rated at 110% Fill Factor	m ³	5.10	5.10	5.10	5.10	5.10	4.90
	yd ³	6.75	6.75	6.75	6.75	6.75	6.50
Width	mm	3312	2996	2996	3220	3271	3271
	ft/in	10'10"	9'9"	9'9"	10'6"	10'8"	10'8"
16† Dump Clearance at Maximum Lift and 45° Discharge	mm	2734	2660	2662	2903	2740	2740
	ft/in	8'11"	8'8"	8'8"	9'6"	8'11"	8'11"
17† Reach at Maximum Lift and 45° Discharge	mm	1501	1575	1573	1299	1426	1426
	ft/in	4'11"	5'2"	5'1"	4'3"	4'8"	4'8"
Reach at Level Lift Arm and Bucket Level	mm	3113	3218	3215	2851	3055	3055
	ft/in	10'2"	10'6"	10'6"	9'4"	10'0"	10'0"
A† Digging Depth	mm	89	89	89	114	114	84
	in	3.5"	3.5"	3.5"	4.5"	4.5"	3.3"
12† Overall Length	mm	9146	9251	9248	8903	9128	9128
	ft/in	30'1"	30'5"	30'5"	29'3"	30'0"	30'0"
B† Overall Height with Bucket at Maximum Lift	mm	6027	6118	6128	5992	5992	5992
	ft/in	19'10"	20'1"	20'2"	19'8"	19'8"	19'8"
Loader Clearance Circle Radius with Bucket at Carry Position	mm	7625	7510	7509	7524	7610	7610
	ft/in	25'1"	24'8"	24'8"	24'9"	25'0"	25'0"
Static Tipping Load, Straight (With tire deflection)	kg	16 085	16 023	16 023	16 527	16 342	16 653
	lb	35,453	35,315	35,316	36,427	36,019	36,703
Static Tipping Load, Straight (No tire deflection)	kg	17 194	17 146	17 144	17 644	17 456	17 777
	lb	37,897	37,790	37,785	38,887	38,475	39,181
Static Tipping Load, Articulated (With tire deflection)	kg	14 054	13 998	13 999	14 497	14 312	14 607
	lb	30,976	30,852	30,854	31,953	31,545	32,195
Static Tipping Load, Articulated (No tire deflection)	kg	15 171	15 128	15 126	15 621	15 434	15 739
	lb	33,437	33,342	33,339	34,430	34,017	34,688
Breakout Force (§)	kN	169	157	157	166	164	175
	lbf	38,026	35,274	35,329	37,355	36,996	39,539
Operating Weight*	kg	23 810	23 800	23 790	23 427	23 565	23 402
	lb	52,477	52,455	52,433	51,633	51,937	51,577

*Static tipping loads and operating weights shown are based on a machine configuration with Bridgestone 26.5R25 VJT L3 radial tires, full fluids, operator, standard counterweight, ride control, cold start, roading fenders, Product Link™, manual diff lock/open axles (front and rear), power train guard, secondary steering and sound suppression.

† Illustration shown with Dimension charts.

***Rock bucket specifications are given on Bridgestone 26.5R25 VSDL L5 radial tires.

(§) Measured 100 mm (4") behind tip of cutting edge with bucket hinge pin as pivot point in accordance with ISO 14397-2:2007.

(With tire deflection) Full compliance to ISO 14397-1:2007 Sections 1 thru 6, which requires 2% verification between calculations and testing.

(No tire deflection) Compliance to ISO 14397-1:2007 Sections 1 thru 5.

Other buckets are available and offerings vary by region. Consult your local Cat dealer for further details.

966 Wheel Loader Specifications

Operating Specifications – Buckets (continued)

Linkage		Standard Linkage					
Bucket Type		Material Handling – Hook-On – Flat Floor – Fusion					
Edge Type		Bolt-On Cutting Edges	Teeth and Segments	Tips	Bolt-On Cutting Edges	Teeth and Segments	Tips
Capacity – Rated	m ³	4.20	4.20	4.00	4.40	4.40	4.20
	yd ³	5.50	5.50	5.25	5.75	5.75	5.50
Capacity – Rated at 110% Fill Factor	m ³	4.60	4.60	4.40	4.80	4.80	4.60
	yd ³	6.00	6.00	5.75	6.25	6.25	6.00
Width	mm	3220	3271	3271	3220	3271	3271
	ft/in	10'6"	10'8"	10'8"	10'6"	10'8"	10'8"
16† Dump Clearance at Maximum Lift and 45° Discharge	mm	2909	2746	2746	2882	2719	2719
	ft/in	9'6"	9'0"	9'0"	9'5"	8'11"	8'11"
17† Reach at Maximum Lift and 45° Discharge	mm	1293	1420	1420	1320	1447	1447
	ft/in	4'2"	4'7"	4'7"	4'3"	4'8"	4'8"
Reach at Level Lift Arm and Bucket Level	mm	2842	3047	3047	2881	3085	3085
	ft/in	9'3"	9'11"	9'11"	9'5"	10'1"	10'1"
A† Digging Depth	mm	114	114	84	114	114	84
	in	4.5"	4.5"	3.3"	4.5"	4.5"	3.3"
12† Overall Length	mm	8894	9119	9119	8933	9158	9158
	ft/in	29'3"	30'0"	30'0"	29'4"	30'1"	30'1"
B† Overall Height with Bucket at Maximum Lift	mm	5953	5953	5953	5983	5983	5983
	ft/in	19'7"	19'7"	19'7"	19'8"	19'8"	19'8"
Loader Clearance Circle Radius with Bucket at Carry Position	mm	7538	7628	7628	7549	7639	7639
	ft/in	24'9"	25'1"	25'1"	24'10"	25'1"	25'1"
Static Tipping Load, Straight (With tire deflection)	kg	16 152	15 970	16 310	16 077	15 894	16 233
	lb	35,600	35,198	35,948	35,434	35,031	35,779
Static Tipping Load, Straight (No tire deflection)	kg	17 244	17 060	17 413	17 175	16 989	17 342
	lb	38,007	37,600	38,379	37,854	37,445	38,222
Static Tipping Load, Articulated (With tire deflection)	kg	14 148	13 966	14 291	14 074	13 891	14 215
	lb	31,183	30,781	31,498	31,020	30,616	31,331
Static Tipping Load, Articulated (No tire deflection)	kg	15 248	15 064	15 402	15 180	14 995	15 332
	lb	33,608	33,201	33,946	33,457	33,048	33,792
Breakout Force (§)	kN	167	166	177	162	161	172
	lbf	37,690	37,331	39,907	36,614	36,256	38,711
Operating Weight*	kg	23 653	23 790	23 627	23 707	23 845	23 682
	lb	52,130	52,433	52,074	52,249	52,553	52,193

*Static tipping loads and operating weights shown are based on a machine configuration with Bridgestone 26.5R25 VJT L3 radial tires, full fluids, operator, standard counterweight, ride control, cold start, roading fenders, Product Link™, manual diff lock/open axles (front and rear), power train guard, secondary steering and sound suppression.

† Illustration shown with Dimension charts.

***Rock bucket specifications are given on Bridgestone 26.5R25 VSDL L5 radial tires.

(§) Measured 100 mm (4") behind tip of cutting edge with bucket hinge pin as pivot point in accordance with ISO 14397-2:2007.

(With tire deflection) Full compliance to ISO 14397-1:2007 Sections 1 thru 6, which requires 2% verification between calculations and testing.

(No tire deflection) Compliance to ISO 14397-1:2007 Sections 1 thru 5.

Other buckets are available and offerings vary by region. Consult your local Cat dealer for further details.

966 Wheel Loader Specifications

Operating Specifications – Buckets (continued)

Linkage		Standard Linkage					
Bucket Type		Material Handling – Hook-On – Flat Floor – Fusion			Material Handling – Hook-On – Flat Floor – VCE		
		Bolt-On Cutting Edges	Teeth and Segments	Tips	Bolt-On Cutting Edges	Bolt-On Cutting Edges	Bolt-On Cutting Edges
Edge Type							
Capacity – Rated	m ³	4.80	4.80	4.60	4.20	4.60	4.80
	yd ³	6.25	6.25	6.00	5.50	6.00	6.25
Capacity – Rated at 110% Fill Factor	m ³	5.30	5.30	5.10	4.60	5.10	5.30
	yd ³	7.00	7.00	6.75	6.00	6.75	7.00
Width	mm	3220	3271	3271	3220	3220	3230
	ft/in	10'6"	10'8"	10'8"	10'6"	10'6"	10'7"
16 † Dump Clearance at Maximum Lift and 45° Discharge	mm	2824	2661	2661	2803	2747	2676
	ft/in	9'3"	8'8"	8'8"	9'2"	9'0"	8'9"
17 † Reach at Maximum Lift and 45° Discharge	mm	1378	1505	1505	1407	1463	1530
	ft/in	4'6"	4'11"	4'11"	4'7"	4'9"	5'0"
Reach at Level Lift Arm and Bucket Level	mm	2962	3167	3167	2997	3077	3175
	ft/in	9'8"	10'4"	10'4"	9'10"	10'1"	10'5"
A † Digging Depth	mm	114	114	84	108	108	111
	in	4.5"	4.5"	3.3"	4.2"	4.2"	4.3"
12 † Overall Length	mm	9014	9239	9239	9045	9125	9225
	ft/in	29'7"	30'4"	30'4"	29'9"	30'0"	30'4"
B † Overall Height with Bucket at Maximum Lift	mm	6076	6076	6076	6057	6139	6225
	ft/in	20'0"	20'0"	20'0"	19'11"	20'2"	20'6"
Loader Clearance Circle Radius with Bucket at Carry Position	mm	7571	7663	7663	7563	7586	7606
	ft/in	24'11"	25'2"	25'2"	24'10"	24'11"	25'0"
Static Tipping Load, Straight (With tire deflection)	kg	15 935	15 750	16 088	15 214	15 065	14 853
	lb	35,121	34,713	35,457	33,533	33,204	32,737
Static Tipping Load, Straight (No tire deflection)	kg	17 043	16 855	17 207	16 258	16 117	15 929
	lb	37,563	37,150	37,924	35,832	35,522	35,108
Static Tipping Load, Articulated (With tire deflection)	kg	13 936	13 751	14 074	13 289	13 144	12 933
	lb	30,716	30,307	31,020	29,290	28,970	28,505
Static Tipping Load, Articulated (No tire deflection)	kg	15 052	14 865	15 201	14 343	14 206	14 019
	lb	33,175	32,762	33,503	31,613	31,311	30,899
Breakout Force (§)	kN	153	152	162	149	141	131
	lbf	34,540	34,184	36,413	33,513	31,732	29,533
Operating Weight*	kg	23 792	23 930	23 767	23 869	23 962	24 135
	lb	52,437	52,741	52,381	52,607	52,812	53,193

*Static tipping loads and operating weights shown are based on a machine configuration with Bridgestone 26.5R25 VJT L3 radial tires, full fluids, operator, standard counterweight, ride control, cold start, roading fenders, Product Link™, manual diff lock/open axles (front and rear), power train guard, secondary steering and sound suppression.

† Illustration shown with Dimension charts.

***Rock bucket specifications are given on Bridgestone 26.5R25 VSDL L5 radial tires.

(§) Measured 100 mm (4") behind tip of cutting edge with bucket hinge pin as pivot point in accordance with ISO 14397-2:2007.

(With tire deflection) Full compliance to ISO 14397-1:2007 Sections 1 thru 6, which requires 2% verification between calculations and testing.

(No tire deflection) Compliance to ISO 14397-1:2007 Sections 1 thru 5.

Other buckets are available and offerings vary by region. Consult your local Cat dealer for further details.

966 Wheel Loader Specifications

Operating Specifications – Buckets (continued)

Linkage		Standard Linkage						
Bucket Type		Rock, Spade – Pin-On						
Edge Type		Bolt-On Cutting Edges	Teeth and Segments	Tips	Teeth and Segments	Tips	Teeth and Segments	Tips
Capacity – Rated	m ³	3.20	3.20	3.00	3.40	3.20	4.00	3.80
	yd ³	4.25	4.25	4.00	4.50	4.25	5.25	5.00
Capacity – Rated at 110% Fill Factor	m ³	3.50	3.50	3.30	3.70	3.50	4.40	4.20
	yd ³	4.50	4.50	4.25	4.75	4.50	5.75	5.50
Width	mm	3252	3252	3252	3286	3286	3255	3255
	ft/in	10'8"	10'8"	10'8"	10'9"	10'9"	10'8"	10'8"
16† Dump Clearance at Maximum Lift and 45° Discharge	mm	3126	3022	3022	2990	2990	2757	2757
	ft/in	10'3"	9'10"	9'10"	9'9"	9'9"	9'0"	9'0"
17† Reach at Maximum Lift and 45° Discharge	mm	1437	1537	1537	1538	1538	1660	1660
	ft/in	4'8"	5'0"	5'0"	5'0"	5'0"	5'5"	5'5"
Reach at Level Lift Arm and Bucket Level	mm	2781	2923	2923	2947	2947	3211	3211
	ft/in	9'1"	9'7"	9'7"	9'8"	9'8"	10'6"	10'6"
A† Digging Depth	mm	78	78	78	83	43	83	43
	in	3.0"	3.0"	3.0"	3.2"	1.7"	3.2"	1.7"
12† Overall Length	mm	8833	8997	8997	9021	9021	9269	9269
	ft/in	29'0"	29'7"	29'7"	29'8"	29'8"	30'5"	30'5"
B† Overall Height with Bucket at Maximum Lift	mm	5896	5896	5896	5827	5827	5827	5827
	ft/in	19'5"	19'5"	19'5"	19'2"	19'2"	19'2"	19'2"
Loader Clearance Circle Radius with Bucket at Carry Position	mm	7529	7576	7576	7597	7597	7647	7647
	ft/in	24'9"	24'11"	24'11"	25'0"	25'0"	25'2"	25'2"
Static Tipping Load, Straight (With tire deflection)	kg	17 742	17 592	18 013	17 612	17 874	17 090	17 464
	lb	39,103	38,772	39,702	38,817	39,396	37,666	38,491
Static Tipping Load, Straight (No tire deflection)	kg	18 920	18 768	19 205	18 789	19 043	18 250	18 632
	lb	41,701	41,366	42,327	41,412	41,970	40,224	41,066
Static Tipping Load, Articulated (With tire deflection)	kg	15 587	15 437	15 844	15 464	15 732	14 979	15 345
	lb	34,354	34,023	34,921	34,084	34,675	33,014	33,821
Static Tipping Load, Articulated (No tire deflection)	kg	16 773	16 621	17 042	16 650	16 909	16 148	16 522
	lb	36,968	36,633	37,562	36,696	37,268	35,591	36,416
Breakout Force (§)	kN	195	194	196	184	193	151	158
	lbf	43,987	43,693	44,140	41,538	43,391	34,117	35,531
Operating Weight*	kg	24 456	24 567	24 336	24 488	24 258	24 635	24 404
	lb	53,900	54,145	53,636	53,971	53,464	54,295	53,786

*Static tipping loads and operating weights shown are based on a machine configuration with Bridgestone 26.5R25 VJT L3 radial tires, full fluids, operator, standard counterweight, ride control, cold start, roading fenders, Product Link™, manual diff lock/open axles (front and rear), power train guard, secondary steering and sound suppression.

† Illustration shown with Dimension charts.

***Rock bucket specifications are given on Bridgestone 26.5R25 VSDL L5 radial tires.

(§) Measured 100 mm (4") behind tip of cutting edge with bucket hinge pin as pivot point in accordance with ISO 14397-2:2007.

(With tire deflection) Full compliance to ISO 14397-1:2007 Sections 1 thru 6, which requires 2% verification between calculations and testing.

(No tire deflection) Compliance to ISO 14397-1:2007 Sections 1 thru 5.

Other buckets are available and offerings vary by region. Consult your local Cat dealer for further details.

966 Wheel Loader Specifications

Operating Specifications – Buckets *(continued)*

Linkage		Standard Linkage				
Bucket Type		Rock, Spade – Hook-On – Fusion			Rock, Spade – Pin-On – HD	
		Teeth and Segments	Teeth and Segments	Tips	Bolt-On Cutting Edges	Bolt-On Cutting Edges
Edge Type						
Capacity – Rated	m ³	3.40	3.70	3.50	2.80	3.20
	yd ³	4.50	4.75	4.50	3.75	4.25
Capacity – Rated at 110% Fill Factor	m ³	3.70	4.00	3.80	3.10	3.50
	yd ³	4.75	5.25	5.00	4.00	4.50
Width	mm	3286	3258	3258	3288	3288
	ft/in	10'9"	10'8"	10'8"	10'9"	10'9"
16† Dump Clearance at Maximum Lift and 45° Discharge	mm	2970	2982	2982	3279	3164
	ft/in	9'8"	9'9"	9'9"	10'9"	10'4"
17† Reach at Maximum Lift and 45° Discharge	mm	1577	1618	1618	1343	1354
	ft/in	5'2"	5'3"	5'3"	4'4"	4'5"
Reach at Level Lift Arm and Bucket Level	mm	2991	3014	3014	2602	2696
	ft/in	9'9"	9'10"	9'10"	8'6"	8'10"
A† Digging Depth	mm	75	75	35	78	78
	in	2.9"	2.9"	1.4"	3.0"	3.0"
12† Overall Length	mm	9057	9066	9066	8650	8744
	ft/in	29'9"	29'9"	29'9"	28'5"	28'9"
B† Overall Height with Bucket at Maximum Lift	mm	5633	5799	5799	5855	5953
	ft/in	18'6"	19'1"	19'1"	19'3"	19'7"
Loader Clearance Circle Radius with Bucket at Carry Position	mm	7624	7611	7611	7499	7529
	ft/in	25'1"	25'0"	25'0"	24'8"	24'9"
Static Tipping Load, Straight (With tire deflection)	kg	17 257	17 369	17 809	17 649	17 357
	lb	38,036	38,281	39,251	38,899	38,256
Static Tipping Load, Straight (No tire deflection)	kg	18 441	18 566	19 029	18 820	18 539
	lb	40,645	40,921	41,940	41,480	40,861
Static Tipping Load, Articulated (With tire deflection)	kg	15 115	15 225	15 648	15 483	15 201
	lb	33,314	33,558	34,489	34,125	33,503
Static Tipping Load, Articulated (No tire deflection)	kg	16 306	16 431	16 874	16 662	16 391
	lb	35,940	36,213	37,192	36,723	36,125
Breakout Force (§)	kN	179	175	183	198	182
	lbf	40,256	39,532	41,248	44,487	41,055
Operating Weight*	kg	24 857	24 758	24 533	24 705	24 872
	lb	54,784	54,565	54,069	54,449	54,817

*Static tipping loads and operating weights shown are based on a machine configuration with Bridgestone 26.5R25 VJT L3 radial tires, full fluids, operator, standard counterweight, ride control, cold start, roading fenders, Product Link™, manual diff lock/open axles (front and rear), power train guard, secondary steering and sound suppression.

† Illustration shown with Dimension charts.

***Rock bucket specifications are given on Bridgestone 26.5R25 VSDL L5 radial tires.

(§) Measured 100 mm (4") behind tip of cutting edge with bucket hinge pin as pivot point in accordance with ISO 14397-2:2007.

(With tire deflection) Full compliance to ISO 14397-1:2007 Sections 1 thru 6, which requires 2% verification between calculations and testing.

(No tire deflection) Compliance to ISO 14397-1:2007 Sections 1 thru 5.

Other buckets are available and offerings vary by region. Consult your local Cat dealer for further details.

966 Wheel Loader Specifications

Operating Specifications – Buckets (continued)

Linkage		Standard Linkage			
		Coal – Pin-On – Fusion		Coal – Pin-On	Flat Floor – Light Material – Hook-On – Fusion
Bucket Type		Bolt-On Cutting Edges	Bolt-On Cutting Edges	Bolt-On Cutting Edges	Bolt-On Cutting Edges
Edge Type					
Capacity – Rated	m ³	6.70	7.70	7.10	9.80
	yd ³	8.75	10.00	9.25	12.75
Capacity – Rated at 110% Fill Factor	m ³	7.40	8.50	7.80	10.80
	yd ³	9.75	11.00	10.25	14.25
Width	mm	3447	3447	3447	3943
	ft/in	11'3"	11'3"	11'3"	12'11"
16† Dump Clearance at Maximum Lift and 45° Discharge	mm	2708	2597	2635	2604
	ft/in	8'10"	8'6"	8'7"	8'6"
17† Reach at Maximum Lift and 45° Discharge	mm	1477	1588	1545	1609
	ft/in	4'10"	5'2"	5'0"	5'3"
Reach at Level Lift Arm and Bucket Level	mm	3115	3272	3214	3282
	ft/in	10'2"	10'8"	10'6"	10'9"
A† Digging Depth	mm	126	126	130	106
	in	4.9"	4.9"	5.1"	4.2"
12† Overall Length	mm	9177	9334	9279	9327
	ft/in	30'2"	30'8"	30'6"	30'8"
B† Overall Height with Bucket at Maximum Lift	mm	6144	6297	6081	6508
	ft/in	20'2"	20'8"	20'0"	21'5"
Loader Clearance Circle Radius with Bucket at Carry Position	mm	7723	7768	7728	7989
	ft/in	25'5"	25'6"	25'5"	26'3"
Static Tipping Load, Straight (With tire deflection)	kg	15 916	15 572	16 184	16 311
	lb	35,079	34,322	35,669	35,951
Static Tipping Load, Straight (No tire deflection)	kg	17 104	16 774	17 351	17 596
	lb	37,699	36,971	38,242	38,783
Static Tipping Load, Articulated (With tire deflection)	kg	13 876	13 545	14 162	14 242
	lb	30,584	29,855	31,213	31,390
Static Tipping Load, Articulated (No tire deflection)	kg	15 070	14 753	15 335	15 529
	lb	33,215	32,515	33,800	34,227
Breakout Force (§)	kN	137	123	129	125
	lbf	30,812	27,820	29,109	28,146
Operating Weight*	kg	24 001	24 189	23 504	23 861
	lb	52,897	53,311	51,803	52,589

*Static tipping loads and operating weights shown are based on a machine configuration with Bridgestone 26.5R25 VJT L3 radial tires, full fluids, operator, standard counterweight, ride control, cold start, roading fenders, Product Link™, manual diff lock/open axles (front and rear), power train guard, secondary steering and sound suppression.

† Illustration shown with Dimension charts.

***Rock bucket specifications are given on Bridgestone 26.5R25 VSDL L5 radial tires.

(§) Measured 100 mm (4") behind tip of cutting edge with bucket hinge pin as pivot point in accordance with ISO 14397-2:2007.

(With tire deflection) Full compliance to ISO 14397-1:2007 Sections 1 thru 6, which requires 2% verification between calculations and testing.

(No tire deflection) Compliance to ISO 14397-1:2007 Sections 1 thru 5.

Other buckets are available and offerings vary by region. Consult your local Cat dealer for further details.

966 Wheel Loader Specifications

Operating Specifications – Buckets (continued)

Linkage		Standard Linkage					
Bucket Type		Multi-Purpose – Pin-On			Multi-Purpose – Hook-On – Fusion		
Edge Type		Bolt-On Cutting Edges	Teeth and Segments	Tips	Bolt-On Cutting Edges	Teeth and Segments	Tips
Capacity – Rated	m ³	3.10	3.10	2.90	3.10	3.10	2.90
	yd ³	4.00	4.00	3.75	4.00	4.00	3.75
Capacity – Rated at 110% Fill Factor	m ³	3.40	3.40	3.20	3.40	3.40	3.10
	yd ³	4.50	4.50	4.25	4.50	4.50	4.00
Width	mm	3226	3226	3226	3226	3301	3301
	ft/in	10'7"	10'7"	10'7"	10'7"	10'9"	10'9"
16 † Dump Clearance at Maximum Lift and 45° Discharge	mm	3211	3082	3082	3319	3194	3194
	ft/in	10'6"	10'1"	10'1"	10'10"	10'5"	10'5"
17 † Reach at Maximum Lift and 45° Discharge	mm	1334	1509	1508	1418	1585	1585
	ft/in	4'4"	4'11"	4'11"	4'7"	5'2"	5'2"
Reach at Level Lift Arm and Bucket Level	mm	2587	2802	2802	2608	2815	2815
	ft/in	8'5"	9'2"	9'2"	8'6"	9'2"	9'2"
A † Digging Depth	mm	248	248	213	108	103	73
	in	9.7"	9.7"	8.4"	4.2"	4.0"	2.9"
12 † Overall Length	mm	8742	8976	8976	8656	8885	8885
	ft/in	28'9"	29'6"	29'6"	28'5"	29'2"	29'2"
B † Overall Height with Bucket at Maximum Lift	mm	5526	5526	5526	5646	5646	5646
	ft/in	18'2"	18'2"	18'2"	18'7"	18'7"	18'7"
Loader Clearance Circle Radius with Bucket at Carry Position	mm	7513	7576	7575	7476	7576	7576
	ft/in	24'8"	24'11"	24'11"	24'7"	24'11"	24'11"
Static Tipping Load, Straight (With tire deflection)	kg	15 483	15 274	15 913	15 787	15 614	15 920
	lb	34,125	33,665	35,072	34,794	34,414	35,087
Static Tipping Load, Straight (No tire deflection)	kg	16 446	16 236	16 888	16 851	16 675	16 994
	lb	36,249	35,784	37,222	37,140	36,753	37,456
Static Tipping Load, Articulated (With tire deflection)	kg	13 541	13 332	13 961	13 789	13 617	13 907
	lb	29,846	29,385	30,771	30,392	30,012	30,651
Static Tipping Load, Articulated (No tire deflection)	kg	14 517	14 306	14 948	14 862	14 686	14 989
	lb	31,996	31,531	32,946	32,756	32,369	33,036
Breakout Force (§)	kN	201	198	217	203	203	218
	lbf	45,181	44,680	48,926	45,800	45,632	49,012
Operating Weight*	kg	23 765	23 928	23 498	24 205	24 363	24 201
	lb	52,377	52,736	51,789	53,347	53,696	53,339

*Static tipping loads and operating weights shown are based on a machine configuration with Bridgestone 26.5R25 VJT L3 radial tires, full fluids, operator, standard counterweight, ride control, cold start, roading fenders, Product Link™, manual diff lock/open axles (front and rear), power train guard, secondary steering and sound suppression.

† Illustration shown with Dimension charts.

***Rock bucket specifications are given on Bridgestone 26.5R25 VSDL L5 radial tires.

(§) Measured 100 mm (4") behind tip of cutting edge with bucket hinge pin as pivot point in accordance with ISO 14397-2:2007.

(With tire deflection) Full compliance to ISO 14397-1:2007 Sections 1 thru 6, which requires 2% verification between calculations and testing.

(No tire deflection) Compliance to ISO 14397-1:2007 Sections 1 thru 5.

Other buckets are available and offerings vary by region. Consult your local Cat dealer for further details.

966 Wheel Loader Specifications

Operating Specifications – Buckets (continued)

Linkage		Standard Linkage				
		Side Dump – Pin-On	Side Dump – Hook-On – Fusion	Woodchip – Pin-On		Woodchip – Hook-On – Fusion
Bucket Type		Bolt-On Cutting Edges	Bolt-On Cutting Edges	Bolt-On Cutting Edges	Bolt-On Cutting Edges	Bolt-On Cutting Edges
Edge Type						
Capacity – Rated	m ³	3.60	3.60	8.20	11.90	11.90
	yd ³	4.75	4.75	10.75	15.50	15.50
Capacity – Rated at 110% Fill Factor	m ³	4.00	4.00	9.00	13.10	13.10
	yd ³	5.25	5.25	11.75	17.25	17.25
Width	mm	3677	3677	3328	3943	3943
	ft/in	12'0"	12'0"	10'11"	12'11"	12'11"
16 † Dump Clearance at Maximum Lift and 45° Discharge	mm	2899	2852	2600	2442	2442
	ft/in	9'6"	9'4"	8'6"	8'0"	8'0"
17 † Reach at Maximum Lift and 45° Discharge	mm	1294	1370	1571	1732	1787
	ft/in	4'2"	4'5"	5'1"	5'8"	5'10"
Reach at Level Lift Arm and Bucket Level	mm	2850	2937	3257	3483	3522
	ft/in	9'4"	9'7"	10'8"	11'5"	11'6"
A † Digging Depth	mm	120	100	136	134	95
	in	4.7"	3.9"	5.3"	5.3"	3.7"
12 † Overall Length	mm	8908	8977	9326	9551	9558
	ft/in	29'3"	29'6"	30'8"	31'5"	31'5"
B † Overall Height with Bucket at Maximum Lift	mm	5786	5855	6473	6689	6696
	ft/in	19'0"	19'3"	21'3"	22'0"	22'0"
Loader Clearance Circle Radius with Bucket at Carry Position	mm	7722	7832	7687	8026	8152
	ft/in	25'4"	25'9"	25'3"	26'4"	26'9"
Static Tipping Load, Straight (With tire deflection)	kg	15 656	13 905	16 980	15 688	13 895
	lb	34,507	30,648	37,425	34,577	30,624
Static Tipping Load, Straight (No tire deflection)	kg	16 713	14 780	18 247	16 938	14 941
	lb	36,837	32,576	40,218	37,333	32,930
Static Tipping Load, Articulated (With tire deflection)	kg	13 708	12 118	14 930	13 663	12 031
	lb	30,212	26,708	32,905	30,114	26,517
Static Tipping Load, Articulated (No tire deflection)	kg	14 775	13 006	16 200	14 918	13 089
	lb	32,564	28,666	35,706	32,880	28,848
Breakout Force (§)	kN	165	155	129	110	104
	lbf	37,103	34,916	29,014	24,783	23,375
Operating Weight*	kg	23 635	24 172	23 009	24 029	24 494
	lb	52,091	53,274	50,712	52,960	53,985

*Static tipping loads and operating weights shown are based on a machine configuration with Bridgestone 26.5R25 VJT L3 radial tires, full fluids, operator, standard counterweight, ride control, cold start, roading fenders, Product Link™, manual diff lock/open axles (front and rear), power train guard, secondary steering and sound suppression.

† Illustration shown with Dimension charts.

***Rock bucket specifications are given on Bridgestone 26.5R25 VSDL L5 radial tires.

(§) Measured 100 mm (4") behind tip of cutting edge with bucket hinge pin as pivot point in accordance with ISO 14397-2:2007.

(With tire deflection) Full compliance to ISO 14397-1:2007 Sections 1 thru 6, which requires 2% verification between calculations and testing.

(No tire deflection) Compliance to ISO 14397-1:2007 Sections 1 thru 5.

Other buckets are available and offerings vary by region. Consult your local Cat dealer for further details.

966 Wheel Loader Specifications

Operating Specifications – Buckets (continued)

Linkage		Standard Linkage		
Bucket Type		Load & Carry – Pin-On	Dozing – Pin-On	Tamp & Clamp – Pin-On
Edge Type		Steel Bolt-On Cutting Edges	Steel Bolt-On Cutting Edges	Steel Bolt-On Cutting Edges
Capacity – Rated	m ³	7.40	6.50	5.00
	yd ³	9.75	8.50	6.50
Capacity – Rated at 110% Fill Factor	m ³	8.10	7.20	5.50
	yd ³	10.50	9.50	7.25
Width	mm	3357	3323	3357
	ft/in	11'0"	10'10"	11'0"
16† Dump Clearance at Maximum Lift and 45° Discharge	mm	2642	2846	2429
	ft/in	8'8"	9'4"	7'11"
17† Reach at Maximum Lift and 45° Discharge	mm	1515	1162	1729
	ft/in	4'11"	3'9"	5'8"
Reach at Level Lift Arm and Bucket Level	mm	3188	2794	3490
	ft/in	10'5"	9'2"	11'5"
A† Digging Depth	mm	106	252	106
	in	4.1"	9.9"	4.1"
12† Overall Length	mm	9265	8952	9567
	ft/in	30'5"	29'5"	31'5"
B† Overall Height with Bucket at Maximum Lift	mm	6349	6572	5488
	ft/in	20'10"	21'7"	18'1"
Loader Clearance Circle Radius with Bucket at Carry Position	mm	7686	7609	7768
	ft/in	25'3"	25'0"	25'6"
Static Tipping Load, Straight (With tire deflection)	kg	15 438	17 263	13 372
	lb	34,026	38,047	29,472
Static Tipping Load, Straight (No tire deflection)	kg	16 602	18 612	14 339
	lb	36,592	41,021	31,603
Static Tipping Load, Articulated (With tire deflection)	kg	13 436	15 113	11 515
	lb	29,612	33,310	25,381
Static Tipping Load, Articulated (No tire deflection)	kg	14 607	16 461	12 497
	lb	32,194	36,281	27,544
Breakout Force (§)	kN	136	169	111
	lbf	30,628	38,098	25,049
Operating Weight*	kg	24 117	23 713	25 043
	lb	53,154	52,264	55,195

*Static tipping loads and operating weights shown are based on a machine configuration with Bridgestone 26.5R25 VJT L3 radial tires, full fluids, operator, standard counterweight, ride control, cold start, roading fenders, Product Link™, manual diff lock/open axles (front and rear), power train guard, secondary steering and sound suppression.

† Illustration shown with Dimension charts.

***Rock bucket specifications are given on Bridgestone 26.5R25 VSDL L5 radial tires.

(§) Measured 100 mm (4") behind tip of cutting edge with bucket hinge pin as pivot point in accordance with ISO 14397-2:2007.

(With tire deflection) Full compliance to ISO 14397-1:2007 Sections 1 thru 6, which requires 2% verification between calculations and testing.

(No tire deflection) Compliance to ISO 14397-1:2007 Sections 1 thru 5.

Other buckets are available and offerings vary by region. Consult your local Cat dealer for further details.

966 Wheel Loader Specifications

Operating Specifications – Buckets (continued)

Linkage		Standard Linkage						
		High Dump – Hook-On – Fusion				High Dump – Pin-On		
Bucket Type		Bolt-On Cutting Edges	Bolt-On Cutting Edges	Bolt-On Cutting Edges	Bolt-On Cutting Edges	Bolt-On Cutting Edges	Bolt-On Cutting Edges	Bolt-On Cutting Edges
Edge Type								
Capacity – Rated	m ³	5.40	7.60	9.20	11.10	7.60	9.20	11.10
	yd ³	7.00	10.00	12.00	14.50	10.00	12.00	14.50
Capacity – Rated at 110% Fill Factor	m ³	5.90	8.40	10.10	12.20	8.40	10.10	12.20
	yd ³	7.75	11.00	13.25	16.00	11.00	13.25	16.00
Width	mm	3059	3350	3656	3656	3350	3656	3656
	ft/in	10'0"	10'11"	11'11"	11'11"	10'11"	11'11"	11'11"
16† Dump Clearance at Maximum Lift and 45° Discharge	mm	2601	2412	2356	2200	2426	2370	2214
	ft/in	8'6"	7'10"	7'8"	7'2"	7'11"	7'9"	7'3"
17† Reach at Maximum Lift and 45° Discharge	mm	1568	1790	1846	2002	1776	1832	1988
	ft/in	5'1"	5'10"	6'0"	6'6"	5'9"	6'0"	6'6"
Reach at Level Lift Arm and Bucket Level	mm	3255	3545	3625	3845	3525	3605	3825
	ft/in	10'8"	11'7"	11'10"	12'7"	11'6"	11'9"	12'6"
A† Digging Depth	mm	137	84	84	84	84	84	84
	in	5.4"	3.3"	3.3"	3.3"	3.3"	3.3"	3.3"
12† Overall Length	mm	9326	9597	9677	9897	9577	9657	9877
	ft/in	30'8"	31'6"	31'9"	32'6"	31'6"	31'9"	32'5"
B† Overall Height with Bucket at Maximum Lift	mm	6193	6406	6488	6712	6394	6476	6700
	ft/in	20'4"	21'1"	21'4"	22'1"	21'0"	21'3"	22'0"
Loader Clearance Circle Radius with Bucket at Carry Position	mm	7592	7802	7963	8032	7795	7956	8023
	ft/in	24'11"	25'8"	26'2"	26'5"	25'7"	26'2"	26'4"
Static Tipping Load, Straight (With tire deflection)	kg	15 056	14 279	14 008	13 670	14 725	14 455	14 112
	lb	33,185	31,471	30,874	30,128	32,454	31,859	31,103
Static Tipping Load, Straight (No tire deflection)	kg	16 170	15 430	15 167	14 850	15 885	15 623	15 302
	lb	35,640	34,009	33,428	32,729	35,010	34,433	33,725
Static Tipping Load, Articulated (With tire deflection)	kg	13 095	12 341	12 074	11 746	12 780	12 513	12 180
	lb	28,861	27,201	26,612	25,889	28,167	27,579	26,846
Static Tipping Load, Articulated (No tire deflection)	kg	14 216	13 501	13 240	12 933	13 947	13 688	13 377
	lb	31,333	29,756	29,182	28,505	30,740	30,170	29,485
Breakout Force (§)	kN	126	110	104	92	111	106	94
	lbf	28,402	24,821	23,539	20,884	25,125	23,825	21,126
Operating Weight*	kg	24 198	24 779	24 995	25 202	24 300	24 516	24 723
	lb	53,332	54,612	55,089	55,545	53,557	54,033	54,489

*Static tipping loads and operating weights shown are based on a machine configuration with Bridgestone 26.5R25 VJT L3 radial tires, full fluids, operator, standard counterweight, ride control, cold start, roading fenders, Product Link™, manual diff lock/open axles (front and rear), power train guard, secondary steering and sound suppression.

† Illustration shown with Dimension charts.

***Rock bucket specifications are given on Bridgestone 26.5R25 VSDL L5 radial tires.

(§) Measured 100 mm (4") behind tip of cutting edge with bucket hinge pin as pivot point in accordance with ISO 14397-2:2007.

(With tire deflection) Full compliance to ISO 14397-1:2007 Sections 1 thru 6, which requires 2% verification between calculations and testing.

(No tire deflection) Compliance to ISO 14397-1:2007 Sections 1 thru 5.

Other buckets are available and offerings vary by region. Consult your local Cat dealer for further details.

966 Wheel Loader Specifications

Operating Specifications – Buckets (continued)

Linkage		Standard Linkage					
Bucket Type		High Dump – Hook-On – SW			High Dump – Hook-On – VCE		
		Bolt-On Cutting Edges	Bolt-On Cutting Edges	Bolt-On Cutting Edges	Bolt-On Cutting Edges	Bolt-On Cutting Edges	Bolt-On Cutting Edges
Capacity – Rated	m ³	7.60	9.20	11.10	7.60	9.20	11.10
	yd ³	10.00	12.00	14.50	10.00	12.00	14.50
Capacity – Rated at 110% Fill Factor	m ³	8.40	10.10	12.20	8.40	10.10	12.20
	yd ³	11.00	13.25	16.00	11.00	13.25	16.00
Width	mm	3350	3656	3656	3350	3656	3656
	ft/in	10'11"	11'11"	11'11"	10'11"	11'11"	11'11"
16 † Dump Clearance at Maximum Lift and 45° Discharge	mm	2380	2324	2168	2339	2282	2127
	ft/in	7'9"	7'7"	7'1"	7'8"	7'5"	6'11"
17 † Reach at Maximum Lift and 45° Discharge	mm	1822	1878	2034	1881	1938	2094
	ft/in	5'11"	6'1"	6'8"	6'2"	6'4"	6'10"
Reach at Level Lift Arm and Bucket Level	mm	3590	3670	3890	3662	3742	3962
	ft/in	11'9"	12'0"	12'9"	12'0"	12'3"	12'11"
A † Digging Depth	mm	84	84	84	71	71	71
	in	3.3"	3.3"	3.3"	2.8"	2.8"	2.8"
12 † Overall Length	mm	9642	9722	9942	9703	9783	10 003
	ft/in	31'8"	31'11"	32'8"	31'10"	32'2"	32'10"
B † Overall Height with Bucket at Maximum Lift	mm	6440	6522	6746	6496	6578	6802
	ft/in	21'2"	21'5"	22'2"	21'4"	21'7"	22'4"
Loader Clearance Circle Radius with Bucket at Carry Position	mm	7782	7943	8006	7818	7980	8051
	ft/in	25'7"	26'1"	26'4"	25'8"	26'3"	26'5"
Static Tipping Load, Straight (With tire deflection)	kg	14 154	13 886	13 549	13 564	13 291	12 943
	lb	31,196	30,606	29,862	29,896	29,295	28,527
Static Tipping Load, Straight (No tire deflection)	kg	15 296	15 035	14 719	14 664	14 396	14 064
	lb	33,713	33,139	32,440	32,319	31,729	30,997
Static Tipping Load, Articulated (With tire deflection)	kg	12 233	11 969	11 642	11 691	11 422	11 086
	lb	26,963	26,380	25,659	25,767	25,175	24,434
Static Tipping Load, Articulated (No tire deflection)	kg	13 384	13 126	12 819	12 800	12 537	12 216
	lb	29,498	28,931	28,254	28,212	27,632	26,925
Breakout Force (§)	kN	107	101	90	102	97	86
	lbf	24,142	22,904	20,346	23,044	21,867	19,461
Operating Weight*	kg	24 734	24 950	25 157	24 944	25 159	25 367
	lb	54,513	54,990	55,446	54,976	55,450	55,909

*Static tipping loads and operating weights shown are based on a machine configuration with Bridgestone 26.5R25 VJT L3 radial tires, full fluids, operator, standard counterweight, ride control, cold start, roading fenders, Product Link™, manual diff lock/open axles (front and rear), power train guard, secondary steering and sound suppression.

† Illustration shown with Dimension charts.

***Rock bucket specifications are given on Bridgestone 26.5R25 VSDL L5 radial tires.

(§) Measured 100 mm (4") behind tip of cutting edge with bucket hinge pin as pivot point in accordance with ISO 14397-2:2007.

(With tire deflection) Full compliance to ISO 14397-1:2007 Sections 1 thru 6, which requires 2% verification between calculations and testing.

(No tire deflection) Compliance to ISO 14397-1:2007 Sections 1 thru 5.

Other buckets are available and offerings vary by region. Consult your local Cat dealer for further details.

966 Wheel Loader Specifications

Operating Specifications – Buckets (continued)

Linkage		High Lift Linkage					
Bucket Type		General Purpose – Pin-On					
Edge Type		Bolt-On Cutting Edges	Teeth and Segments	Tips	Teeth and Segments	Teeth and Segments	Teeth and Segments
Capacity – Rated	m ³	4.60	4.60	4.40	3.80	4.00	4.20
	yd ³	6.00	6.00	5.75	5.00	5.25	5.50
Capacity – Rated at 110% Fill Factor	m ³	5.10	5.10	4.80	4.20	4.40	4.60
	yd ³	6.75	6.75	6.25	5.50	5.75	6.00
Width	mm	3264	3300	3300	3301	3301	3301
	ft/in	10'8"	10'9"	10'9"	10'9"	10'9"	10'9"
16 † Dump Clearance at Maximum Lift and 45° Discharge	mm	3545	3387	3387	3459	3450	3390
	ft/in	11'7"	11'1"	11'1"	11'4"	11'3"	11'1"
17 † Reach at Maximum Lift and 45° Discharge	mm	1337	1472	1472	1397	1403	1462
	ft/in	4'4"	4'9"	4'9"	4'7"	4'7"	4'9"
Reach at Level Lift Arm and Bucket Level	mm	3222	3428	3428	3320	3330	3419
	ft/in	10'6"	11'2"	11'2"	10'10"	10'11"	11'2"
A † Digging Depth	mm	89	89	59	89	89	89
	in	3.5"	3.5"	2.3"	3.5"	3.5"	3.5"
12 † Overall Length	mm	9539	9766	9766	9669	9679	9760
	ft/in	31'4"	32'1"	32'1"	31'9"	31'10"	32'1"
B † Overall Height with Bucket at Maximum Lift	mm	6579	6579	6579	6345	6456	6456
	ft/in	21'8"	21'8"	21'8"	20'10"	21'3"	21'3"
Loader Clearance Circle Radius with Bucket at Carry Position	mm	7772	7863	7863	7837	7840	7862
	ft/in	25'6"	25'10"	25'10"	25'9"	25'9"	25'10"
Static Tipping Load, Straight (With tire deflection)	kg	16 947	16 663	16 979	16 859	16 899	16 757
	lb	37,352	36,726	37,423	37,159	37,247	36,933
Static Tipping Load, Straight (No tire deflection)	kg	18 017	17 729	18 053	17 883	17 944	17 799
	lb	39,711	39,075	39,790	39,415	39,550	39,230
Static Tipping Load, Articulated (With tire deflection)	kg	14 719	14 435	14 738	14 643	14 671	14 541
	lb	32,442	31,816	32,482	32,273	32,335	32,048
Static Tipping Load, Articulated (No tire deflection)	kg	15 813	15 525	15 835	15 691	15 740	15 607
	lb	34,852	34,217	34,902	34,584	34,692	34,400
Breakout Force (§)	kN	156	152	163	168	166	156
	lbf	35,240	34,357	36,777	37,910	37,495	35,188
Operating Weight*	kg	24 932	25 104	24 943	24 915	24 964	24 994
	lb	54,949	55,328	54,973	54,911	55,019	55,085

*Static tipping loads and operating weights shown are based on a machine configuration with Bridgestone 26.5R25 VJT L3 radial tires, full fluids, operator, standard counterweight, ride control, cold start, roading fenders, Product Link™, manual diff lock/open axles (front and rear), power train guard, secondary steering and sound suppression.

† Illustration shown with Dimension charts.

***Rock bucket specifications are given on Bridgestone 26.5R25 VSDL L5 radial tires.

(§) Measured 100 mm (4") behind tip of cutting edge with bucket hinge pin as pivot point in accordance with ISO 14397-2:2007.

(With tire deflection) Full compliance to ISO 14397-1:2007 Sections 1 thru 6, which requires 2% verification between calculations and testing.

(No tire deflection) Compliance to ISO 14397-1:2007 Sections 1 thru 5.

Other buckets are available and offerings vary by region. Consult your local Cat dealer for further details.

966 Wheel Loader Specifications

Operating Specifications – Buckets (continued)

Linkage		High Lift Linkage					
Bucket Type		General Purpose – Pin-On					
Edge Type		Bolt-On Cutting Edges	Tips	Bolt-On Cutting Edges	Tips	Bolt-On Cutting Edges	Tips
Capacity – Rated	m ³	3.80	3.60	4.20	4.00	4.00	3.80
	yd ³	5.00	4.75	5.50	5.25	5.25	5.00
Capacity – Rated at 110% Fill Factor	m ³	4.20	4.00	4.60	4.40	4.40	4.20
	yd ³	5.50	5.25	6.00	5.75	5.75	5.50
Width	mm	3220	3271	3220	3271	3220	3271
	ft/in	10'6"	10'8"	10'6"	10'8"	10'6"	10'8"
16 † Dump Clearance at Maximum Lift and 45° Discharge	mm	3635	3483	3559	3405	3626	3473
	ft/in	11'11"	11'5"	11'8"	11'2"	11'10"	11'4"
17 † Reach at Maximum Lift and 45° Discharge	mm	1265	1404	1325	1463	1272	1411
	ft/in	4'1"	4'7"	4'4"	4'9"	4'2"	4'7"
Reach at Level Lift Arm and Bucket Level	mm	3105	3310	3204	3409	3117	3321
	ft/in	10'2"	10'10"	10'6"	11'2"	10'2"	10'10"
A † Digging Depth	mm	89	59	89	59	89	59
	in	3.5"	2.3"	3.5"	2.3"	3.5"	2.3"
12 † Overall Length	mm	9422	9644	9521	9743	9434	9655
	ft/in	30'11"	31'8"	31'3"	32'0"	31'0"	31'9"
B † Overall Height with Bucket at Maximum Lift	mm	6345	6345	6456	6456	6456	6456
	ft/in	20'10"	20'10"	21'3"	21'3"	21'3"	21'3"
Loader Clearance Circle Radius with Bucket at Carry Position	mm	7717	7811	7747	7842	7721	7815
	ft/in	25'4"	25'8"	25'5"	25'9"	25'4"	25'8"
Static Tipping Load, Straight (With tire deflection)	kg	17 143	17 144	16 953	16 997	17 126	17 165
	lb	37,784	37,786	37,364	37,462	37,747	37,833
Static Tipping Load, Straight (No tire deflection)	kg	18 183	18 169	17 998	18 040	18 175	18 211
	lb	40,077	40,044	39,668	39,760	40,059	40,138
Static Tipping Load, Articulated (With tire deflection)	kg	14 919	14 914	14 737	14 767	14 898	14 924
	lb	32,883	32,871	32,480	32,547	32,837	32,892
Static Tipping Load, Articulated (No tire deflection)	kg	15 984	15 963	15 807	15 833	15 971	15 993
	lb	35,229	35,183	34,838	34,897	35,202	35,250
Breakout Force (§)	kN	172	183	159	168	170	181
	lbf	38,838	41,181	35,899	37,894	38,411	40,704
Operating Weight*	kg	24 741	24 715	24 849	24 823	24 793	24 767
	lb	54,528	54,472	54,766	54,710	54,643	54,587

*Static tipping loads and operating weights shown are based on a machine configuration with Bridgestone 26.5R25 VJT L3 radial tires, full fluids, operator, standard counterweight, ride control, cold start, roading fenders, Product Link™, manual diff lock/open axles (front and rear), power train guard, secondary steering and sound suppression.

† Illustration shown with Dimension charts.

***Rock bucket specifications are given on Bridgestone 26.5R25 VSDL L5 radial tires.

(§) Measured 100 mm (4") behind tip of cutting edge with bucket hinge pin as pivot point in accordance with ISO 14397-2:2007.

(With tire deflection) Full compliance to ISO 14397-1:2007 Sections 1 thru 6, which requires 2% verification between calculations and testing.

(No tire deflection) Compliance to ISO 14397-1:2007 Sections 1 thru 5.

Other buckets are available and offerings vary by region. Consult your local Cat dealer for further details.

966 Wheel Loader Specifications

Operating Specifications – Buckets (continued)

Linkage		High Lift Linkage					
Bucket Type		General Purpose – Pin-On					
Edge Type		Bolt-On Cutting Edges	Teeth and Segments	Tips	Bolt-On Cutting Edges	Teeth and Segments	Tips
Capacity – Rated	m ³	4.00	4.00	3.85	4.20	4.20	4.05
	yd ³	5.25	5.25	5.00	5.50	5.50	5.25
Capacity – Rated at 110% Fill Factor	m ³	4.40	4.40	4.20	4.60	4.60	4.50
	yd ³	5.75	5.75	5.50	6.00	6.00	6.00
Width	mm	3220	3271	3271	3220	3271	3271
	ft/in	10'6"	10'8"	10'8"	10'6"	10'8"	10'8"
16 † Dump Clearance at Maximum Lift and 45° Discharge	mm	3612	3459	3459	3583	3430	3430
	ft/in	11'10"	11'4"	11'4"	11'9"	11'3"	11'3"
17 † Reach at Maximum Lift and 45° Discharge	mm	1283	1422	1422	1306	1444	1444
	ft/in	4'2"	4'8"	4'8"	4'3"	4'8"	4'8"
Reach at Level Lift Arm and Bucket Level	mm	3135	3340	3340	3173	3378	3378
	ft/in	10'3"	10'11"	10'11"	10'4"	11'0"	11'0"
A † Digging Depth	mm	89	89	59	89	89	59
	in	3.5"	3.5"	2.3"	3.5"	3.5"	2.3"
12 † Overall Length	mm	9452	9674	9674	9490	9712	9712
	ft/in	31'1"	31'9"	31'9"	31'2"	31'11"	31'11"
B † Overall Height with Bucket at Maximum Lift	mm	6398	6398	6398	6436	6436	6436
	ft/in	21'0"	21'0"	21'0"	21'2"	21'2"	21'2"
Loader Clearance Circle Radius with Bucket at Carry Position	mm	7733	7829	7829	7745	7841	7841
	ft/in	25'5"	25'9"	25'9"	25'5"	25'9"	25'9"
Static Tipping Load, Straight (With tire deflection)	kg	17 249	17 073	17 274	17 191	17 015	17 209
	lb	38,016	37,628	38,071	37,891	37,501	37,928
Static Tipping Load, Straight (No tire deflection)	kg	18 288	18 110	18 311	18 238	18 059	18 252
	lb	40,308	39,915	40,358	40,197	39,803	40,227
Static Tipping Load, Articulated (With tire deflection)	kg	15 030	14 854	15 044	14 974	14 797	14 980
	lb	33,127	32,738	33,157	33,003	32,613	33,016
Static Tipping Load, Articulated (No tire deflection)	kg	16 094	15 916	16 105	16 045	15 866	16 047
	lb	35,472	35,079	35,495	35,363	34,968	35,367
Breakout Force (§)	kN	169	166	179	164	161	173
	lbf	38,006	37,465	40,242	36,878	36,343	38,980
Operating Weight*	kg	24 600	24 738	24 574	24 641	24 779	24 615
	lb	54,217	54,521	54,161	54,308	54,612	54,252

*Static tipping loads and operating weights shown are based on a machine configuration with Bridgestone 26.5R25 VJT L3 radial tires, full fluids, operator, standard counterweight, ride control, cold start, roading fenders, Product Link™, manual diff lock/open axles (front and rear), power train guard, secondary steering and sound suppression.

† Illustration shown with Dimension charts.

***Rock bucket specifications are given on Bridgestone 26.5R25 VSDL L5 radial tires.

(§) Measured 100 mm (4") behind tip of cutting edge with bucket hinge pin as pivot point in accordance with ISO 14397-2:2007.

(With tire deflection) Full compliance to ISO 14397-1:2007 Sections 1 thru 6, which requires 2% verification between calculations and testing.

(No tire deflection) Compliance to ISO 14397-1:2007 Sections 1 thru 5.

Other buckets are available and offerings vary by region. Consult your local Cat dealer for further details.

966 Wheel Loader Specifications

Operating Specifications – Buckets (continued)

Linkage		High Lift Linkage					
Bucket Type		General Purpose – Hook-On – Fusion					
Edge Type		Bolt-On Cutting Edges	Teeth and Segments	Tips	Bolt-On Cutting Edges	Teeth and Segments	Tips
Capacity – Rated	m ³	4.20	4.20	4.00	4.80	4.80	4.60
	yd ³	5.50	5.50	5.25	6.25	6.25	6.00
Capacity – Rated at 110% Fill Factor	m ³	4.60	4.60	4.40	5.30	5.30	5.10
	yd ³	6.00	6.00	5.75	7.00	7.00	6.75
Width	mm	3220	3307	3307	3224	3311	3311
	ft/in	10'6"	10'10"	10'10"	10'6"	10'10"	10'10"
16 † Dump Clearance at Maximum Lift and 45° Discharge	mm	3633	3481	3481	3544	3389	3389
	ft/in	11'11"	11'5"	11'5"	11'7"	11'1"	11'1"
17 † Reach at Maximum Lift and 45° Discharge	mm	1273	1412	1412	1343	1479	1479
	ft/in	4'2"	4'7"	4'7"	4'4"	4'10"	4'10"
Reach at Level Lift Arm and Bucket Level	mm	3113	3318	3318	3229	3434	3434
	ft/in	10'2"	10'10"	10'10"	10'7"	11'3"	11'3"
A † Digging Depth	mm	81	81	51	81	81	51
	in	3.2"	3.2"	2.0"	3.2"	3.2"	2.0"
12 † Overall Length	mm	9425	9646	9646	9541	9762	9762
	ft/in	31'0"	31'8"	31'8"	31'4"	32'1"	32'1"
B † Overall Height with Bucket at Maximum Lift	mm	6432	6432	6432	6553	6553	6553
	ft/in	21'2"	21'2"	21'2"	21'6"	21'6"	21'6"
Loader Clearance Circle Radius with Bucket at Carry Position	mm	7731	7845	7845	7770	7885	7885
	ft/in	25'5"	25'9"	25'9"	25'6"	25'11"	25'11"
Static Tipping Load, Straight (With tire deflection)	kg	17 033	16 856	17 181	16 830	16 651	16 970
	lb	37,542	37,152	37,867	37,094	36,700	37,403
Static Tipping Load, Straight (No tire deflection)	kg	18 115	17 935	18 270	17 929	17 747	18 077
	lb	39,925	39,530	40,269	39,516	39,116	39,843
Static Tipping Load, Articulated (With tire deflection)	kg	14 790	14 614	14 923	14 592	14 413	14 718
	lb	32,599	32,209	32,891	32,160	31,766	32,439
Static Tipping Load, Articulated (No tire deflection)	kg	15 895	15 715	16 036	15 713	15 531	15 847
	lb	35,033	34,638	35,343	34,632	34,232	34,928
Breakout Force (§)	kN	171	169	182	156	154	165
	lbf	38,640	38,096	40,956	35,250	34,724	37,172
Operating Weight*	kg	25 035	25 173	25 010	25 171	25 309	25 146
	lb	55,177	55,481	55,122	55,477	55,781	55,421

*Static tipping loads and operating weights shown are based on a machine configuration with Bridgestone 26.5R25 VJT L3 radial tires, full fluids, operator, standard counterweight, ride control, cold start, roading fenders, Product Link™, manual diff lock/open axles (front and rear), power train guard, secondary steering and sound suppression.

† Illustration shown with Dimension charts.

***Rock bucket specifications are given on Bridgestone 26.5R25 VSDL L5 radial tires.

(§) Measured 100 mm (4") behind tip of cutting edge with bucket hinge pin as pivot point in accordance with ISO 14397-2:2007.

(With tire deflection) Full compliance to ISO 14397-1:2007 Sections 1 thru 6, which requires 2% verification between calculations and testing.

(No tire deflection) Compliance to ISO 14397-1:2007 Sections 1 thru 5.

Other buckets are available and offerings vary by region. Consult your local Cat dealer for further details.

966 Wheel Loader Specifications

Operating Specifications – Buckets (continued)

Linkage		High Lift Linkage					
Bucket Type		General Purpose – Hook-On – Fusion					
Edge Type		Bolt-On Cutting Edges	Teeth and Segments	Tips	Bolt-On Cutting Edges	Teeth and Segments	Tips
Capacity – Rated	m ³	4.20	4.20	4.00	3.80	3.80	3.60
	yd ³	5.50	5.50	5.25	5.00	5.00	4.75
Capacity – Rated at 110% Fill Factor	m ³	4.60	4.60	4.40	4.20	4.20	4.00
	yd ³	6.00	6.00	5.75	5.50	5.50	5.25
Width	mm	3220	3271	3271	3220	3271	3271
	ft/in	10'6"	10'8"	10'8"	10'6"	10'8"	10'8"
16 † Dump Clearance at Maximum Lift and 45° Discharge	mm	3528	3374	3374	3606	3454	3454
	ft/in	11'6"	11'0"	11'0"	11'10"	11'4"	11'4"
17 † Reach at Maximum Lift and 45° Discharge	mm	1371	1508	1508	1299	1439	1439
	ft/in	4'5"	4'11"	4'11"	4'3"	4'8"	4'8"
Reach at Level Lift Arm and Bucket Level	mm	3259	3464	3464	3149	3354	3354
	ft/in	10'8"	11'4"	11'4"	10'4"	11'0"	11'0"
A † Digging Depth	mm	81	81	51	89	89	59
	in	3.2"	3.2"	2.0"	3.5"	3.5"	2.3"
12 † Overall Length	mm	9571	9792	9792	9467	9688	9688
	ft/in	31'5"	32'2"	32'2"	31'1"	31'10"	31'10"
B † Overall Height with Bucket at Maximum Lift	mm	6528	6528	6528	6371	6371	6371
	ft/in	21'5"	21'5"	21'5"	20'11"	20'11"	20'11"
Loader Clearance Circle Radius with Bucket at Carry Position	mm	7778	7877	7877	7746	7845	7845
	ft/in	25'7"	25'11"	25'11"	25'5"	25'9"	25'9"
Static Tipping Load, Straight (With tire deflection)	kg	16 368	16 192	16 502	16 588	16 413	16 728
	lb	36,075	35,689	36,371	36,561	36,176	36,869
Static Tipping Load, Straight (No tire deflection)	kg	17 395	17 217	17 535	17 609	17 432	17 756
	lb	38,339	37,947	38,648	38,812	38,422	39,134
Static Tipping Load, Articulated (With tire deflection)	kg	14 184	14 008	14 304	14 388	14 213	14 514
	lb	31,261	30,874	31,527	31,712	31,326	31,989
Static Tipping Load, Articulated (No tire deflection)	kg	15 235	15 057	15 362	15 434	15 257	15 566
	lb	33,579	33,187	33,859	34,017	33,627	34,308
Breakout Force (§)	kN	153	151	161	166	164	176
	lbf	34,463	33,942	36,299	37,426	36,887	39,600
Operating Weight*	kg	25 219	25 357	25 194	25 156	25 294	25 130
	lb	55,582	55,886	55,526	55,443	55,746	55,387

*Static tipping loads and operating weights shown are based on a machine configuration with Bridgestone 26.5R25 VJT L3 radial tires, full fluids, operator, standard counterweight, ride control, cold start, roading fenders, Product Link™, manual diff lock/open axles (front and rear), power train guard, secondary steering and sound suppression.

† Illustration shown with Dimension charts.

***Rock bucket specifications are given on Bridgestone 26.5R25 VSDL L5 radial tires.

(§) Measured 100 mm (4") behind tip of cutting edge with bucket hinge pin as pivot point in accordance with ISO 14397-2:2007.

(With tire deflection) Full compliance to ISO 14397-1:2007 Sections 1 thru 6, which requires 2% verification between calculations and testing.

(No tire deflection) Compliance to ISO 14397-1:2007 Sections 1 thru 5.

Other buckets are available and offerings vary by region. Consult your local Cat dealer for further details.

966 Wheel Loader Specifications

Operating Specifications – Buckets (continued)

Linkage		High Lift Linkage					
Bucket Type		General Purpose – Hook-On – Fusion					
Edge Type		Bolt-On Cutting Edges	Teeth and Segments	Tips	Bolt-On Cutting Edges	Teeth and Segments	Tips
Capacity – Rated	m ³	4.60	4.60	4.40	4.00	4.00	3.80
	yd ³	6.00	6.00	5.75	5.25	5.25	5.00
Capacity – Rated at 110% Fill Factor	m ³	5.10	5.10	4.80	4.40	4.40	4.20
	yd ³	6.75	6.75	6.25	5.75	5.75	5.50
Width	mm	3220	3271	3271	3447	3521	3521
	ft/in	10'6"	10'8"	10'8"	11'3"	11'6"	11'6"
16 † Dump Clearance at Maximum Lift and 45° Discharge	mm	3515	3361	3361	3619	3451	3451
	ft/in	11'6"	11'0"	11'0"	11'10"	11'3"	11'3"
17 † Reach at Maximum Lift and 45° Discharge	mm	1373	1511	1511	1257	1392	1392
	ft/in	4'6"	4'11"	4'11"	4'1"	4'6"	4'6"
Reach at Level Lift Arm and Bucket Level	mm	3269	3474	3474	3113	3325	3325
	ft/in	10'8"	11'4"	11'4"	10'2"	10'10"	10'10"
A † Digging Depth	mm	88	88	58	91	81	51
	in	3.4"	3.4"	2.2"	3.6"	3.2"	2.0"
12 † Overall Length	mm	9586	9807	9807	9431	9668	9668
	ft/in	31'6"	32'3"	32'3"	31'0"	31'9"	31'9"
B † Overall Height with Bucket at Maximum Lift	mm	6606	6606	6606	6257	6257	6257
	ft/in	21'9"	21'9"	21'9"	20'7"	20'7"	20'7"
Loader Clearance Circle Radius with Bucket at Carry Position	mm	7784	7883	7883	7837	7952	7952
	ft/in	25'7"	25'11"	25'11"	25'9"	26'2"	26'2"
Static Tipping Load, Straight (With tire deflection)	kg	16 472	16 294	16 602	15 862	15 673	16 012
	lb	36,306	35,913	36,592	34,960	34,545	35,292
Static Tipping Load, Straight (No tire deflection)	kg	17 535	17 354	17 673	16 860	16 668	17 017
	lb	38,647	38,249	38,952	37,161	36,738	37,507
Static Tipping Load, Articulated (With tire deflection)	kg	14 260	14 081	14 377	13 683	13 494	13 817
	lb	31,429	31,036	31,687	30,158	29,742	30,453
Static Tipping Load, Articulated (No tire deflection)	kg	15 346	15 165	15 471	14 707	14 515	14 847
	lb	33,822	33,424	34,098	32,415	31,992	32,724
Breakout Force (§)	kN	151	149	159	168	166	179
	lbf	34,066	33,546	35,865	37,749	37,512	40,231
Operating Weight*	kg	25 333	25 471	25 308	25 647	25 741	25 566
	lb	55,834	56,138	55,778	56,526	56,732	56,347

*Static tipping loads and operating weights shown are based on a machine configuration with Bridgestone 26.5R25 VJT L3 radial tires, full fluids, operator, standard counterweight, ride control, cold start, roading fenders, Product Link™, manual diff lock/open axles (front and rear), power train guard, secondary steering and sound suppression.

† Illustration shown with Dimension charts.

***Rock bucket specifications are given on Bridgestone 26.5R25 VSDL L5 radial tires.

(§) Measured 100 mm (4") behind tip of cutting edge with bucket hinge pin as pivot point in accordance with ISO 14397-2:2007.

(With tire deflection) Full compliance to ISO 14397-1:2007 Sections 1 thru 6, which requires 2% verification between calculations and testing.

(No tire deflection) Compliance to ISO 14397-1:2007 Sections 1 thru 5.

Other buckets are available and offerings vary by region. Consult your local Cat dealer for further details.

966 Wheel Loader Specifications

Operating Specifications – Buckets (continued)

Linkage		High Lift Linkage				
Bucket Type		General Purpose – Hook-On – Fusion			General Purpose – Hook-On – VCE Large	
		Bolt-On Cutting Edges	Teeth and Segments	Tips	Bolt-On Cutting Edges	Bolt-On Cutting Edges
Edge Type						
Capacity – Rated	m ³	4.00	4.00	3.80	4.00	4.40
	yd ³	5.25	5.25	5.00	5.25	5.75
Capacity – Rated at 110% Fill Factor	m ³	4.40	4.40	4.20	4.40	4.80
	yd ³	5.75	5.75	5.50	5.75	6.25
Width	mm	3201	3201	3201	3220	3220
	ft/in	10'6"	10'6"	10'6"	10'6"	10'6"
16† Dump Clearance at Maximum Lift and 45° Discharge	mm	3594	3439	3439	3473	3409
	ft/in	11'9"	11'3"	11'3"	11'4"	11'2"
17† Reach at Maximum Lift and 45° Discharge	mm	1302	1444	1444	1459	1506
	ft/in	4'3"	4'8"	4'8"	4'9"	4'11"
Reach at Level Lift Arm and Bucket Level	mm	3161	3369	3369	3358	3438
	ft/in	10'4"	11'0"	11'0"	11'0"	11'3"
A† Digging Depth	mm	59	59	59	83	83
	in	2.3"	2.3"	2.3"	3.2"	3.2"
12† Overall Length	mm	9481	9706	9706	9671	9751
	ft/in	31'2"	31'11"	31'11"	31'9"	32'0"
B† Overall Height with Bucket at Maximum Lift	mm	6488	6488	6488	6546	6664
	ft/in	21'4"	21'4"	21'4"	21'6"	21'11"
Loader Clearance Circle Radius with Bucket at Carry Position	mm	7743	7820	7820	7797	7823
	ft/in	25'5"	25'8"	25'8"	25'7"	25'8"
Static Tipping Load, Straight (With tire deflection)	kg	16 552	16 346	16 675	15 641	15 525
	lb	36,481	36,026	36,752	34,473	34,217
Static Tipping Load, Straight (No tire deflection)	kg	17 586	17 377	17 718	16 644	16 544
	lb	38,761	38,300	39,050	36,684	36,464
Static Tipping Load, Articulated (With tire deflection)	kg	14 350	14 143	14 457	13 520	13 402
	lb	31,628	31,173	31,864	29,798	29,540
Static Tipping Load, Articulated (No tire deflection)	kg	15 409	15 200	15 524	14 548	14 447
	lb	33,962	33,500	34,216	32,065	31,842
Breakout Force (§)	kN	174	171	173	144	136
	lbf	39,256	38,619	38,984	32,374	30,587
Operating Weight*	kg	25 203	25 365	25 199	25 424	25 530
	lb	55,548	55,905	55,539	56,033	56,267

*Static tipping loads and operating weights shown are based on a machine configuration with Bridgestone 26.5R25 VJT L3 radial tires, full fluids, operator, standard counterweight, ride control, cold start, roading fenders, Product Link™, manual diff lock/open axles (front and rear), power train guard, secondary steering and sound suppression.

† Illustration shown with Dimension charts.

***Rock bucket specifications are given on Bridgestone 26.5R25 VSDL L5 radial tires.

(§) Measured 100 mm (4") behind tip of cutting edge with bucket hinge pin as pivot point in accordance with ISO 14397-2:2007.

(With tire deflection) Full compliance to ISO 14397-1:2007 Sections 1 thru 6, which requires 2% verification between calculations and testing.

(No tire deflection) Compliance to ISO 14397-1:2007 Sections 1 thru 5.

Other buckets are available and offerings vary by region. Consult your local Cat dealer for further details.

Operating Specifications – Buckets (continued)

Linkage		High Lift Linkage				
Bucket Type		Material Handling – Pin-On				
Edge Type		Bolt-On Cutting Edges	Bolt-On Cutting Edges	Bolt-On Cutting Edges	Teeth and Segments	Tips
Capacity – Rated	m ³	9.90	4.60	4.60	4.60	4.40
	yd ³	13.00	6.00	6.00	6.00	5.75
Capacity – Rated at 110% Fill Factor	m ³	10.90	5.10	5.10	5.10	4.90
	yd ³	14.25	6.75	6.75	6.75	6.50
Width	mm	3943	3220	3220	3271	3271
	ft/in	12'11"	10'6"	10'6"	10'8"	10'8"
16 † Dump Clearance at Maximum Lift and 45° Discharge	mm	3157	3461	3461	3298	3298
	ft/in	10'4"	11'4"	11'4"	10'9"	10'9"
17 † Reach at Maximum Lift and 45° Discharge	mm	1548	1274	1274	1401	1401
	ft/in	5'0"	4'2"	4'2"	4'7"	4'7"
Reach at Level Lift Arm and Bucket Level	mm	3663	3255	3255	3460	3460
	ft/in	12'0"	10'8"	10'8"	11'4"	11'4"
A † Digging Depth	mm	110	89	89	89	59
	in	4.3"	3.5"	3.5"	3.5"	2.3"
12 † Overall Length	mm	9994	9572	9572	9794	9794
	ft/in	32'10"	31'5"	31'5"	32'2"	32'2"
B † Overall Height with Bucket at Maximum Lift	mm	7030	6542	6550	6550	6550
	ft/in	23'1"	21'6"	21'6"	21'6"	21'6"
Loader Clearance Circle Radius with Bucket at Carry Position	mm	8213	7761	7761	7856	7856
	ft/in	27'0"	25'6"	25'6"	25'10"	25'10"
Static Tipping Load, Straight (With tire deflection)	kg	16 950	16 673	16 760	16 583	16 885
	lb	37,359	36,748	36,940	36,550	37,214
Static Tipping Load, Straight (No tire deflection)	kg	18 149	17 704	17 802	17 623	17 932
	lb	40,001	39,019	39,236	38,841	39,522
Static Tipping Load, Articulated (With tire deflection)	kg	14 708	14 483	14 559	14 382	14 670
	lb	32,417	31,920	32,089	31,698	32,333
Static Tipping Load, Articulated (No tire deflection)	kg	15 927	15 538	15 626	15 446	15 742
	lb	35,104	34,246	34,439	34,044	34,695
Breakout Force (§)	kN	116	153	153	151	161
	lbf	26,213	34,513	34,502	33,979	36,344
Operating Weight*	kg	24 922	24 945	24 934	25 072	24 909
	lb	54,928	54,977	54,954	55,258	54,898

*Static tipping loads and operating weights shown are based on a machine configuration with Bridgestone 26.5R25 VJT L3 radial tires, full fluids, operator, standard counterweight, ride control, cold start, roading fenders, Product Link™, manual diff lock/open axles (front and rear), power train guard, secondary steering and sound suppression.

† Illustration shown with Dimension charts.

***Rock bucket specifications are given on Bridgestone 26.5R25 VSDL L5 radial tires.

(§) Measured 100 mm (4") behind tip of cutting edge with bucket hinge pin as pivot point in accordance with ISO 14397-2:2007.

(With tire deflection) Full compliance to ISO 14397-1:2007 Sections 1 thru 6, which requires 2% verification between calculations and testing.

(No tire deflection) Compliance to ISO 14397-1:2007 Sections 1 thru 5.

Other buckets are available and offerings vary by region. Consult your local Cat dealer for further details.

966 Wheel Loader Specifications

Operating Specifications – Buckets (continued)

Linkage		High Lift Linkage						
Bucket Type		Material Handling – Pin-On						
Edge Type		Bolt-On Cutting Edges	Teeth and Segments	Tips	Bolt-On Cutting Edges	Bolt-On Cutting Edges	Teeth and Segments	Tips
Capacity – Rated	m ³	4.20	4.20	4.00	4.80	4.80	4.80	4.60
	yd ³	5.50	5.50	5.25	6.25	6.25	6.25	6.00
Capacity – Rated at 110% Fill Factor	m ³	4.60	4.60	4.40	5.30	5.30	5.30	5.10
	yd ³	6.00	6.00	5.75	7.00	7.00	7.00	6.75
Width	mm	3220	3271	3271	3220	3220	3271	3271
	ft/in	10'6"	10'8"	10'8"	10'6"	10'6"	10'8"	10'8"
16† Dump Clearance at Maximum Lift and 45° Discharge	mm	3518	3355	3355	3433	3433	3270	3270
	ft/in	11'6"	11'0"	11'0"	11'3"	11'3"	10'8"	10'8"
17† Reach at Maximum Lift and 45° Discharge	mm	1218	1345	1345	1303	1303	1430	1430
	ft/in	3'11"	4'4"	4'4"	4'3"	4'3"	4'8"	4'8"
Reach at Level Lift Arm and Bucket Level	mm	3175	3380	3380	3295	3295	3500	3500
	ft/in	10'5"	11'1"	11'1"	10'9"	10'9"	11'5"	11'5"
A† Digging Depth	mm	89	89	59	89	89	89	59
	in	3.5"	3.5"	2.3"	3.5"	3.5"	3.5"	2.3"
12† Overall Length	mm	9492	9714	9714	9612	9612	9834	9834
	ft/in	31'2"	31'11"	31'11"	31'7"	31'7"	32'4"	32'4"
B† Overall Height with Bucket at Maximum Lift	mm	6469	6469	6469	6584	6591	6591	6591
	ft/in	21'3"	21'3"	21'3"	21'8"	21'8"	21'8"	21'8"
Loader Clearance Circle Radius with Bucket at Carry Position	mm	7737	7831	7831	7773	7773	7868	7868
	ft/in	25'5"	25'9"	25'9"	25'6"	25'6"	25'10"	25'10"
Static Tipping Load, Straight (With tire deflection)	kg	16 878	16 703	17 005	16 609	16 699	16 521	16 822
	lb	37,200	36,813	37,480	36,606	36,806	36,414	37,077
Static Tipping Load, Straight (No tire deflection)	kg	17 906	17 728	18 038	17 646	17 748	17 568	17 877
	lb	39,465	39,074	39,757	38,892	39,118	38,720	39,401
Static Tipping Load, Articulated (With tire deflection)	kg	14 676	14 500	14 789	14 420	14 499	14 321	14 609
	lb	32,346	31,959	32,596	31,781	31,956	31,564	32,198
Static Tipping Load, Articulated (No tire deflection)	kg	15 729	15 551	15 847	15 481	15 572	15 392	15 687
	lb	34,666	34,275	34,928	34,121	34,322	33,924	34,575
Breakout Force (§)	kN	163	160	172	149	149	146	156
	lbf	36,686	36,151	38,773	33,501	33,489	32,973	35,224
Operating Weight*	kg	24 846	24 984	24 821	24 991	24 980	25 118	24 955
	lb	54,760	55,064	54,704	55,079	55,055	55,359	55,000

*Static tipping loads and operating weights shown are based on a machine configuration with Bridgestone 26.5R25 VJT L3 radial tires, full fluids, operator, standard counterweight, ride control, cold start, roading fenders, Product Link™, manual diff lock/open axles (front and rear), power train guard, secondary steering and sound suppression.

† Illustration shown with Dimension charts.

***Rock bucket specifications are given on Bridgestone 26.5R25 VSDL L5 radial tires.

(§) Measured 100 mm (4") behind tip of cutting edge with bucket hinge pin as pivot point in accordance with ISO 14397-2:2007.

(With tire deflection) Full compliance to ISO 14397-1:2007 Sections 1 thru 6, which requires 2% verification between calculations and testing.

(No tire deflection) Compliance to ISO 14397-1:2007 Sections 1 thru 5.

Other buckets are available and offerings vary by region. Consult your local Cat dealer for further details.

966 Wheel Loader Specifications

Operating Specifications – Buckets (continued)

Linkage		High Lift Linkage					
Bucket Type		Material Handling – Pin-On					
Edge Type		Bolt-On Cutting Edges	Teeth and Segments	Tips	Bolt-On Cutting Edges	Teeth and Segments	Tips
Capacity – Rated	m ³	4.20	4.20	4.00	4.60	4.60	4.40
	yd ³	5.50	5.50	5.25	6.00	6.00	5.75
Capacity – Rated at 110% Fill Factor	m ³	4.60	4.60	4.40	5.10	5.10	4.90
	yd ³	6.00	6.00	5.75	6.75	6.75	6.50
Width	mm	3220	3271	3271	3220	3271	3271
	ft/in	10'6"	10'8"	10'8"	10'6"	10'8"	10'8"
16† Dump Clearance at Maximum Lift and 45° Discharge	mm	3518	3355	3355	3461	3298	3298
	ft/in	11'6"	11'0"	11'0"	11'4"	10'9"	10'9"
17† Reach at Maximum Lift and 45° Discharge	mm	1218	1345	1345	1274	1401	1401
	ft/in	3'11"	4'4"	4'4"	4'2"	4'7"	4'7"
Reach at Level Lift Arm and Bucket Level	mm	3175	3380	3380	3255	3460	3460
	ft/in	10'5"	11'1"	11'1"	10'8"	11'4"	11'4"
A† Digging Depth	mm	89	89	59	89	89	59
	in	3.5"	3.5"	2.3"	3.5"	3.5"	2.3"
12† Overall Length	mm	9492	9714	9714	9572	9794	9794
	ft/in	31'2"	31'11"	31'11"	31'5"	32'2"	32'2"
B† Overall Height with Bucket at Maximum Lift	mm	6469	6469	6469	6550	6550	6550
	ft/in	21'3"	21'3"	21'3"	21'6"	21'6"	21'6"
Loader Clearance Circle Radius with Bucket at Carry Position	mm	7737	7831	7831	7761	7856	7856
	ft/in	25'5"	25'9"	25'9"	25'6"	25'10"	25'10"
Static Tipping Load, Straight (With tire deflection)	kg	16 762	16 586	16 870	16 612	16 435	16 717
	lb	36,943	36,556	37,183	36,613	36,223	36,845
Static Tipping Load, Straight (No tire deflection)	kg	17 788	17 611	17 901	17 652	17 473	17 761
	lb	39,206	38,814	39,454	38,905	38,510	39,146
Static Tipping Load, Articulated (With tire deflection)	kg	14 559	14 384	14 654	14 411	14 233	14 503
	lb	32,089	31,702	32,299	31,762	31,371	31,964
Static Tipping Load, Articulated (No tire deflection)	kg	15 611	15 433	15 710	15 475	15 296	15 571
	lb	34,407	34,016	34,625	34,108	33,713	34,319
Breakout Force (§)	kN	162	160	172	152	150	161
	lbf	36,581	36,047	38,662	34,361	33,839	36,196
Operating Weight*	kg	24 965	25 102	24 939	25 080	25 217	25 054
	lb	55,021	55,325	54,965	55,275	55,579	55,219

*Static tipping loads and operating weights shown are based on a machine configuration with Bridgestone 26.5R25 VJT L3 radial tires, full fluids, operator, standard counterweight, ride control, cold start, roading fenders, Product Link™, manual diff lock/open axles (front and rear), power train guard, secondary steering and sound suppression.

† Illustration shown with Dimension charts.

***Rock bucket specifications are given on Bridgestone 26.5R25 VSDL L5 radial tires.

(§) Measured 100 mm (4") behind tip of cutting edge with bucket hinge pin as pivot point in accordance with ISO 14397-2:2007.

(With tire deflection) Full compliance to ISO 14397-1:2007 Sections 1 thru 6, which requires 2% verification between calculations and testing.

(No tire deflection) Compliance to ISO 14397-1:2007 Sections 1 thru 5.

Other buckets are available and offerings vary by region. Consult your local Cat dealer for further details.

966 Wheel Loader Specifications

Operating Specifications – Buckets (continued)

Linkage		High Lift Linkage						
Bucket Type		Material Handling – Pin-On						
Edge Type		Bolt-On Cutting Edges	Bolt-On Cutting Edges	Teeth and Segments	Tips	Bolt-On Cutting Edges	Teeth and Segments	Tips
Capacity – Rated	m ³	4.20	4.40	4.40	4.20	4.40	4.40	4.20
	yd ³	5.50	5.75	5.75	5.50	5.75	5.75	5.50
Capacity – Rated at 110% Fill Factor	m ³	4.60	4.80	4.80	4.60	4.80	4.90	4.70
	yd ³	6.00	6.25	6.25	6.00	6.25	6.50	6.25
Width	mm	2995	3220	3271	3271	3220	3300	3300
	ft/in	9'9"	10'6"	10'8"	10'8"	10'6"	10'9"	10'9"
16 † Dump Clearance at Maximum Lift and 45° Discharge	mm	3538	3489	3327	3327	3491	3328	3328
	ft/in	11'7"	11'5"	10'10"	10'10"	11'5"	10'11"	10'11"
17 † Reach at Maximum Lift and 45° Discharge	mm	1379	1246	1373	1373	1245	1376	1376
	ft/in	4'6"	4'1"	4'6"	4'6"	4'1"	4'6"	4'6"
Reach at Level Lift Arm and Bucket Level	mm	3255	3215	3420	3420	3213	3421	3421
	ft/in	10'8"	10'6"	11'2"	11'2"	10'6"	11'2"	11'2"
A † Digging Depth	mm	89	89	89	59	89	89	59
	in	3.5"	3.5"	3.5"	2.3"	3.5"	3.5"	2.3"
12 † Overall Length	mm	9572	9532	9754	9754	9530	9753	9753
	ft/in	31'5"	31'4"	32'0"	32'0"	31'4"	32'0"	32'0"
B † Overall Height with Bucket at Maximum Lift	mm	6507	6500	6500	6500	6501	6501	6501
	ft/in	21'5"	21'4"	21'4"	21'4"	21'4"	21'4"	21'4"
Loader Clearance Circle Radius with Bucket at Carry Position	mm	7661	7749	7843	7843	7748	7856	7856
	ft/in	25'2"	25'6"	25'9"	25'9"	25'6"	25'10"	25'10"
Static Tipping Load, Straight (With tire deflection)	kg	17 186	16 810	16 634	16 826	16 691	16 487	16 792
	lb	37,878	37,050	36,662	37,085	36,787	36,337	37,010
Static Tipping Load, Straight (No tire deflection)	kg	18 229	17 845	17 666	17 856	17 725	17 518	17 832
	lb	40,178	39,331	38,937	39,355	39,066	38,611	39,302
Static Tipping Load, Articulated (With tire deflection)	kg	14 985	14 609	14 432	14 611	14 488	14 283	14 576
	lb	33,027	32,198	31,809	32,204	31,931	31,481	32,127
Static Tipping Load, Articulated (No tire deflection)	kg	16 052	15 668	15 489	15 665	15 547	15 340	15 641
	lb	35,380	34,533	34,139	34,527	34,266	33,810	34,473
Breakout Force (§)	kN	155	158	155	166	157	155	166
	lbf	34,834	35,557	35,028	37,516	35,479	34,923	37,359
Operating Weight*	kg	24 477	24 899	25 037	24 874	25 028	25 186	25 024
	lb	53,946	54,877	55,181	54,821	55,160	55,509	55,152

*Static tipping loads and operating weights shown are based on a machine configuration with Bridgestone 26.5R25 VJT L3 radial tires, full fluids, operator, standard counterweight, ride control, cold start, roading fenders, Product Link™, manual diff lock/open axles (front and rear), power train guard, secondary steering and sound suppression.

† Illustration shown with Dimension charts.

***Rock bucket specifications are given on Bridgestone 26.5R25 VSDL L5 radial tires.

(§) Measured 100 mm (4") behind tip of cutting edge with bucket hinge pin as pivot point in accordance with ISO 14397-2:2007.

(With tire deflection) Full compliance to ISO 14397-1:2007 Sections 1 thru 6, which requires 2% verification between calculations and testing.

(No tire deflection) Compliance to ISO 14397-1:2007 Sections 1 thru 5.

Other buckets are available and offerings vary by region. Consult your local Cat dealer for further details.

966 Wheel Loader Specifications

Operating Specifications – Buckets (continued)

Linkage		High Lift Linkage				
Bucket Type		Material Handling – Pin-On				
Edge Type		Bolt-On Cutting Edges	Bolt-On Cutting Edges	Bolt-On Cutting Edges	Bolt-On Cutting Edges	Bolt-On Cutting Edges
Capacity – Rated	m ³	4.60	4.80	4.20	4.60	4.40
	yd ³	6.00	6.25	5.50	6.00	5.75
Capacity – Rated at 110% Fill Factor	m ³	5.10	5.30	4.60	5.10	4.80
	yd ³	6.75	7.00	6.00	6.75	6.25
Width	mm	3230	3230	2995	3220	2995
	ft/in	10'7"	10'7"	9'9"	10'6"	9'9"
16† Dump Clearance at Maximum Lift and 45° Discharge	mm	3461	3433	3462	3461	3435
	ft/in	11'4"	11'3"	11'4"	11'4"	11'3"
17† Reach at Maximum Lift and 45° Discharge	mm	1267	1296	1273	1274	1301
	ft/in	4'1"	4'3"	4'2"	4'2"	4'3"
Reach at Level Lift Arm and Bucket Level	mm	3250	3290	3253	3255	3292
	ft/in	10'7"	10'9"	10'8"	10'8"	10'9"
A† Digging Depth	mm	94	94	89	89	89
	in	3.7"	3.7"	3.5"	3.5"	3.5"
12† Overall Length	mm	9570	9610	9570	9572	9609
	ft/in	31'5"	31'7"	31'5"	31'5"	31'7"
B† Overall Height with Bucket at Maximum Lift	mm	6550	6591	6542	6542	6582
	ft/in	21'6"	21'8"	21'6"	21'6"	21'8"
Loader Clearance Circle Radius with Bucket at Carry Position	mm	7766	7778	7660	7761	7672
	ft/in	25'6"	25'7"	25'2"	25'6"	25'3"
Static Tipping Load, Straight (With tire deflection)	kg	16 628	16 566	16 782	16 144	16 564
	lb	36,649	36,512	36,988	35,583	36,507
Static Tipping Load, Straight (No tire deflection)	kg	17 668	17 612	17 811	17 165	17 597
	lb	38,941	38,818	39,257	37,831	38,785
Static Tipping Load, Articulated (With tire deflection)	kg	14 427	14 366	14 592	13 954	14 375
	lb	31,798	31,662	32,162	30,754	31,682
Static Tipping Load, Articulated (No tire deflection)	kg	15 492	15 437	15 646	14 999	15 433
	lb	34,144	34,023	34,485	33,058	34,015
Breakout Force (§)	kN	153	148	154	151	149
	lbf	34,386	33,366	34,653	34,062	33,511
Operating Weight*	kg	25 044	25 090	24 832	25 415	25 031
	lb	55,195	55,297	54,728	56,013	55,167

*Static tipping loads and operating weights shown are based on a machine configuration with Bridgestone 26.5R25 VJT L3 radial tires, full fluids, operator, standard counterweight, ride control, cold start, roading fenders, Product Link™, manual diff lock/open axles (front and rear), power train guard, secondary steering and sound suppression.

† Illustration shown with Dimension charts.

***Rock bucket specifications are given on Bridgestone 26.5R25 VSDL L5 radial tires.

(§) Measured 100 mm (4") behind tip of cutting edge with bucket hinge pin as pivot point in accordance with ISO 14397-2:2007.

(With tire deflection) Full compliance to ISO 14397-1:2007 Sections 1 thru 6, which requires 2% verification between calculations and testing.

(No tire deflection) Compliance to ISO 14397-1:2007 Sections 1 thru 5.

Other buckets are available and offerings vary by region. Consult your local Cat dealer for further details.

966 Wheel Loader Specifications

Operating Specifications – Buckets (continued)

Linkage		High Lift Linkage					
Bucket Type		Material Handling – Pin-On					
Edge Type		Bolt-On Cutting Edges	Bolt-On Cutting Edges	Bolt-On Cutting Edges	Tips	Tips	Bolt-On Cutting Edges
Capacity – Rated	m ³	4.40	4.60	4.60	4.20	4.40	4.20
	yd ³	5.75	6.00	6.00	5.50	5.75	5.50
Capacity – Rated at 110% Fill Factor	m ³	4.80	5.10	5.10	4.60	4.80	4.60
	yd ³	6.25	6.75	6.75	6.00	6.25	6.00
Width	mm	3220	2995	2995	3016	3312	2995
	ft/in	10'6"	9'9"	9'9"	9'10"	10'10"	9'9"
16 † Dump Clearance at Maximum Lift and 45° Discharge	mm	3489	3413	3413	3291	3320	3470
	ft/in	11'5"	11'2"	11'2"	10'9"	10'10"	11'4"
17 † Reach at Maximum Lift and 45° Discharge	mm	1246	1323	1323	1474	1448	1265
	ft/in	4'1"	4'4"	4'4"	4'10"	4'9"	4'1"
Reach at Level Lift Arm and Bucket Level	mm	3215	3323	3323	3516	3477	3242
	ft/in	10'6"	10'10"	10'10"	11'6"	11'4"	10'7"
A † Digging Depth	mm	89	89	89	59	64	89
	in	3.5"	3.5"	3.5"	2.3"	2.5"	3.5"
12 † Overall Length	mm	9532	9640	9640	9820	9779	9559
	ft/in	31'4"	31'8"	31'8"	32'3"	32'1"	31'5"
B † Overall Height with Bucket at Maximum Lift	mm	6504	6615	6615	6516	6542	6582
	ft/in	21'5"	21'9"	21'9"	21'5"	21'6"	21'8"
Loader Clearance Circle Radius with Bucket at Carry Position	mm	7749	7681	7681	7743	7860	7657
	ft/in	25'6"	25'3"	25'3"	25'5"	25'10"	25'2"
Static Tipping Load, Straight (With tire deflection)	kg	16 231	16 518	16 685	17 222	16 268	16 660
	lb	35,775	36,405	36,773	37,958	35,855	36,719
Static Tipping Load, Straight (No tire deflection)	kg	17 246	17 562	17 731	18 271	17 294	17 692
	lb	38,012	38,707	39,080	40,269	38,117	38,994
Static Tipping Load, Articulated (With tire deflection)	kg	14 039	14 326	14 493	15 013	14 064	14 466
	lb	30,943	31,576	31,944	33,089	30,998	31,884
Static Tipping Load, Articulated (No tire deflection)	kg	15 079	15 395	15 564	16 086	15 115	15 524
	lb	33,236	33,932	34,304	35,454	33,314	34,215
Breakout Force (§)	kN	156	145	146	160	161	154
	lbf	35,144	32,732	32,894	36,003	36,285	34,771
Operating Weight*	kg	25 352	25 085	24 922	24 502	25 399	24 986
	lb	55,874	55,286	54,926	54,001	55,978	55,068

*Static tipping loads and operating weights shown are based on a machine configuration with Bridgestone 26.5R25 VJT L3 radial tires, full fluids, operator, standard counterweight, ride control, cold start, roading fenders, Product Link™, manual diff lock/open axles (front and rear), power train guard, secondary steering and sound suppression.

† Illustration shown with Dimension charts.

***Rock bucket specifications are given on Bridgestone 26.5R25 VSDL L5 radial tires.

(§) Measured 100 mm (4") behind tip of cutting edge with bucket hinge pin as pivot point in accordance with ISO 14397-2:2007.

(With tire deflection) Full compliance to ISO 14397-1:2007 Sections 1 thru 6, which requires 2% verification between calculations and testing.

(No tire deflection) Compliance to ISO 14397-1:2007 Sections 1 thru 5.

Other buckets are available and offerings vary by region. Consult your local Cat dealer for further details.

966 Wheel Loader Specifications

Operating Specifications – Buckets (continued)

Linkage		High Lift Linkage					
Bucket Type		Material Handling – Pin-On					
Edge Type		Tips	Bolt-On Cutting Edges	Tips	Bolt-On Cutting Edges	Bolt-On Cutting Edges	Tips
Capacity – Rated	m ³	4.20	4.20	4.60	4.40	4.60	4.40
	yd ³	5.50	5.50	6.00	5.75	6.00	5.75
Capacity – Rated at 110% Fill Factor	m ³	4.60	4.60	5.10	4.80	5.10	4.80
	yd ³	6.00	6.00	6.75	6.25	6.75	6.25
Width	mm	2996	2995	2996	2995	2995	2996
	ft/in	9'9"	9'9"	9'9"	9'9"	9'9"	9'9"
16† Dump Clearance at Maximum Lift and 45° Discharge	mm	3264	3462	3218	3431	3413	3250
	ft/in	10'8"	11'4"	10'6"	11'3"	11'2"	10'7"
17† Reach at Maximum Lift and 45° Discharge	mm	1505	1273	1551	1305	1323	1519
	ft/in	4'11"	4'2"	5'1"	4'3"	4'4"	4'11"
Reach at Level Lift Arm and Bucket Level	mm	3557	3253	3622	3298	3323	3577
	ft/in	11'8"	10'8"	11'10"	10'9"	10'10"	11'8"
A† Digging Depth	mm	64	89	64	89	89	64
	in	2.5"	3.5"	2.5"	3.5"	3.5"	2.5"
12† Overall Length	mm	9859	9570	9924	9615	9640	9879
	ft/in	32'5"	31'5"	32'7"	31'7"	31'8"	32'5"
B† Overall Height with Bucket at Maximum Lift	mm	6616	6545	6676	6589	6615	6646
	ft/in	21'9"	21'6"	21'11"	21'8"	21'9"	21'10"
Loader Clearance Circle Radius with Bucket at Carry Position	mm	7746	7660	7767	7674	7681	7753
	ft/in	25'5"	25'2"	25'6"	25'3"	25'3"	25'6"
Static Tipping Load, Straight (With tire deflection)	kg	16 268	16 338	16 144	16 222	16 159	16 228
	lb	35,855	36,010	35,581	35,754	35,616	35,768
Static Tipping Load, Straight (No tire deflection)	kg	17 304	17 359	17 192	17 248	17 195	17 269
	lb	38,140	38,259	37,892	38,016	37,899	38,061
Static Tipping Load, Articulated (With tire deflection)	kg	14 068	14 148	13 944	14 033	13 968	14 029
	lb	31,007	31,184	30,733	30,930	30,787	30,920
Static Tipping Load, Articulated (No tire deflection)	kg	15 129	15 194	15 017	15 085	15 029	15 094
	lb	33,346	33,487	33,098	33,247	33,123	33,267
Breakout Force (§)	kN	152	152	144	147	144	149
	lbf	34,212	34,326	32,553	33,117	32,461	33,684
Operating Weight*	kg	25 355	25 232	25 453	25 316	25 391	25 388
	lb	55,881	55,610	56,097	55,795	55,960	55,954

*Static tipping loads and operating weights shown are based on a machine configuration with Bridgestone 26.5R25 VJT L3 radial tires, full fluids, operator, standard counterweight, ride control, cold start, roading fenders, Product Link™, manual diff lock/open axles (front and rear), power train guard, secondary steering and sound suppression.

† Illustration shown with Dimension charts.

***Rock bucket specifications are given on Bridgestone 26.5R25 VSDL L5 radial tires.

(§) Measured 100 mm (4") behind tip of cutting edge with bucket hinge pin as pivot point in accordance with ISO 14397-2:2007.

(With tire deflection) Full compliance to ISO 14397-1:2007 Sections 1 thru 6, which requires 2% verification between calculations and testing.

(No tire deflection) Compliance to ISO 14397-1:2007 Sections 1 thru 5.

Other buckets are available and offerings vary by region. Consult your local Cat dealer for further details.

966 Wheel Loader Specifications

Operating Specifications – Buckets (continued)

Linkage		High Lift Linkage						
Bucket Type		Material Handling – Pin-On						
Edge Type	Tips	Bolt-On Cutting Edges	Tips	Bolt-On Cutting Edges	Tips	Bolt-On Cutting Edges	Tips	
Capacity – Rated	m ³	4.40	4.60	4.60	4.60	4.60	4.40	
	yd ³	5.75	6.00	6.00	6.00	6.00	5.75	
Capacity – Rated at 110% Fill Factor	m ³	4.80	5.10	5.10	5.10	5.10	4.80	
	yd ³	6.25	6.75	6.75	6.75	6.75	6.25	
Width	mm	3312	3220	3312	3220	2996	2996	
	ft/in	10'10"	10'6"	10'10"	10'6"	9'9"	9'9"	
16† Dump Clearance at Maximum Lift and 45° Discharge	mm	3320	3461	3292	3461	3220	3253	
	ft/in	10'10"	11'4"	10'9"	11'4"	10'6"	10'8"	
17† Reach at Maximum Lift and 45° Discharge	mm	1448	1274	1477	1274	1549	1515	
	ft/in	4'9"	4'2"	4'10"	4'2"	5'0"	4'11"	
Reach at Level Lift Arm and Bucket Level	mm	3477	3255	3517	3255	3619	3572	
	ft/in	11'4"	10'8"	11'6"	10'8"	11'10"	11'8"	
A† Digging Depth	mm	64	89	64	89	64	64	
	in	2.5"	3.5"	2.5"	3.5"	2.5"	2.5"	
12† Overall Length	mm	9779	9572	9819	9572	9921	9874	
	ft/in	32'1"	31'5"	32'3"	31'5"	32'7"	32'5"	
B† Overall Height with Bucket at Maximum Lift	mm	6542	6545	6585	6542	6686	6636	
	ft/in	21'6"	21'6"	21'8"	21'6"	22'0"	21'10"	
Loader Clearance Circle Radius with Bucket at Carry Position	mm	7860	7761	7873	7761	7766	7751	
	ft/in	25'10"	25'6"	25'10"	25'6"	25'6"	25'6"	
Static Tipping Load, Straight (With tire deflection)	kg	16 263	16 145	16 176	16 663	16 144	16 193	
	lb	35,844	35,584	35,652	36,726	35,582	35,689	
Static Tipping Load, Straight (No tire deflection)	kg	17 289	17 165	17 207	17 694	17 190	17 228	
	lb	38,105	37,832	37,925	38,998	37,888	37,972	
Static Tipping Load, Articulated (With tire deflection)	kg	14 059	13 954	13 973	14 473	13 945	14 001	
	lb	30,986	30,756	30,798	31,899	30,736	30,860	
Static Tipping Load, Articulated (No tire deflection)	kg	15 110	14 999	15 029	15 528	15 016	15 062	
	lb	33,303	33,059	33,126	34,225	33,097	33,196	
Breakout Force (§)	kN	161	151	156	153	145	144	
	lbf	36,254	34,061	35,107	34,479	32,602	32,495	
Operating Weight*	kg	25 401	25 414	25 463	24 952	25 443	25 367	
	lb	55,982	56,011	56,119	54,993	56,075	55,879	

*Static tipping loads and operating weights shown are based on a machine configuration with Bridgestone 26.5R25 VJT L3 radial tires, full fluids, operator, standard counterweight, ride control, cold start, roading fenders, Product Link™, manual diff lock/open axles (front and rear), power train guard, secondary steering and sound suppression.

† Illustration shown with Dimension charts.

***Rock bucket specifications are given on Bridgestone 26.5R25 VSDL L5 radial tires.

(§) Measured 100 mm (4") behind tip of cutting edge with bucket hinge pin as pivot point in accordance with ISO 14397-2:2007.

(With tire deflection) Full compliance to ISO 14397-1:2007 Sections 1 thru 6, which requires 2% verification between calculations and testing.

(No tire deflection) Compliance to ISO 14397-1:2007 Sections 1 thru 5.

Other buckets are available and offerings vary by region. Consult your local Cat dealer for further details.

966 Wheel Loader Specifications

Operating Specifications – Buckets (continued)

Linkage		High Lift Linkage						
Bucket Type		Material Handling – Hook-On – Fusion						
Edge Type		Bolt-On Cutting Edges	Bolt-On Cutting Edges	Teeth and Segments	Tips	Bolt-On Cutting Edges	Teeth and Segments	Tips
Capacity – Rated	m ³	9.80	4.20	4.20	4.00	4.20	4.20	4.00
	yd ³	12.75	5.50	5.50	5.25	5.50	5.50	5.25
Capacity – Rated at 110% Fill Factor	m ³	10.80	4.60	4.60	4.40	4.60	4.60	4.40
	yd ³	14.25	6.00	6.00	5.75	6.00	6.00	5.75
Width	mm	3943	3243	3301	3301	3220	3271	3271
	ft/in	12'11"	10'7"	10'9"	10'9"	10'6"	10'8"	10'8"
16 † Dump Clearance at Maximum Lift and 45° Discharge	mm	3162	3559	3394	3394	3467	3304	3304
	ft/in	10'4"	11'8"	11'1"	11'1"	11'4"	10'10"	10'10"
17 † Reach at Maximum Lift and 45° Discharge	mm	1585	1181	1310	1310	1268	1395	1395
	ft/in	5'2"	3'10"	4'3"	4'3"	4'1"	4'6"	4'6"
Reach at Level Lift Arm and Bucket Level	mm	3686	3120	3327	3327	3246	3451	3451
	ft/in	12'1"	10'2"	10'11"	10'11"	10'7"	11'3"	11'3"
A † Digging Depth	mm	81	86	81	51	89	89	59
	in	3.2"	3.4"	3.2"	2.0"	3.5"	3.5"	2.3"
12 † Overall Length	mm	9998	9435	9659	9659	9563	9785	9785
	ft/in	32'10"	31'0"	31'9"	31'9"	31'5"	32'2"	32'2"
B † Overall Height with Bucket at Maximum Lift	mm	7067	6430	6430	6430	6511	6511	6511
	ft/in	23'3"	21'2"	21'2"	21'2"	21'5"	21'5"	21'5"
Loader Clearance Circle Radius with Bucket at Carry Position	mm	8238	7746	7848	7848	7777	7876	7876
	ft/in	27'1"	25'5"	25'9"	25'9"	25'7"	25'11"	25'11"
Static Tipping Load, Straight (With tire deflection)	kg	16 496	16 959	16 755	17 057	16 256	16 081	16 391
	lb	36,359	37,378	36,929	37,593	35,829	35,443	36,127
Static Tipping Load, Straight (No tire deflection)	kg	17 706	18 023	17 817	18 130	17 276	17 099	17 418
	lb	39,025	39,723	39,268	39,960	38,078	37,687	38,391
Static Tipping Load, Articulated (With tire deflection)	kg	14 241	14 726	14 522	14 812	14 079	13 904	14 200
	lb	31,387	32,457	32,008	32,645	31,030	30,644	31,298
Static Tipping Load, Articulated (No tire deflection)	kg	15 470	15 814	15 607	15 908	15 124	14 947	15 252
	lb	34,096	34,854	34,399	35,063	33,334	32,943	33,617
Breakout Force (§)	kN	115	170	168	180	154	152	162
	lbf	25,866	38,367	37,824	40,599	34,679	34,155	36,543
Operating Weight*	kg	25 513	25 036	25 194	25 033	25 305	25 443	25 280
	lb	56,231	55,179	55,528	55,171	55,771	56,075	55,716

*Static tipping loads and operating weights shown are based on a machine configuration with Bridgestone 26.5R25 VJT L3 radial tires, full fluids, operator, standard counterweight, ride control, cold start, roading fenders, Product Link™, manual diff lock/open axles (front and rear), power train guard, secondary steering and sound suppression.

† Illustration shown with Dimension charts.

***Rock bucket specifications are given on Bridgestone 26.5R25 VSDL L5 radial tires.

(§) Measured 100 mm (4") behind tip of cutting edge with bucket hinge pin as pivot point in accordance with ISO 14397-2:2007.

(With tire deflection) Full compliance to ISO 14397-1:2007 Sections 1 thru 6, which requires 2% verification between calculations and testing.

(No tire deflection) Compliance to ISO 14397-1:2007 Sections 1 thru 5.

Other buckets are available and offerings vary by region. Consult your local Cat dealer for further details.

966 Wheel Loader Specifications

Operating Specifications – Buckets (continued)

Linkage		High Lift Linkage							
Bucket Type		Material Handling – Hook-On – Fusion							
Edge Type		Bolt-On Cutting Edges	Teeth and Segments	Tips	Bolt-On Cutting Edges	Bolt-On Cutting Edges	Teeth and Segments	Tips	
Capacity – Rated	m ³	4.80	4.80	4.60	4.40	4.40	4.40	4.20	
	yd ³	6.25	6.25	6.00	5.75	5.75	5.75	5.50	
Capacity – Rated at 110% Fill Factor	m ³	5.30	5.30	5.10	4.80	4.80	4.80	4.60	
	yd ³	7.00	7.00	6.75	6.25	6.25	6.25	6.00	
Width	mm	3220	3271	3271	3220	3220	3271	3271	
	ft/in	10'6"	10'8"	10'8"	10'6"	10'6"	10'8"	10'8"	
16† Dump Clearance at Maximum Lift and 45° Discharge	mm	3382	3220	3220	3441	3440	3277	3277	
	ft/in	11'1"	10'6"	10'6"	11'3"	11'3"	10'9"	10'9"	
17† Reach at Maximum Lift and 45° Discharge	mm	1353	1480	1480	1289	1296	1423	1423	
	ft/in	4'5"	4'10"	4'10"	4'2"	4'3"	4'8"	4'8"	
Reach at Level Lift Arm and Bucket Level	mm	3366	3571	3571	3280	3285	3490	3490	
	ft/in	11'0"	11'8"	11'8"	10'9"	10'9"	11'5"	11'5"	
A† Digging Depth	mm	89	89	59	93	89	89	59	
	in	3.5"	3.5"	2.3"	3.6"	3.5"	3.5"	2.3"	
12† Overall Length	mm	9683	9905	9905	9599	9602	9824	9824	
	ft/in	31'10"	32'6"	32'6"	31'6"	31'7"	32'3"	32'3"	
B† Overall Height with Bucket at Maximum Lift	mm	6634	6634	6634	6536	6541	6541	6541	
	ft/in	21'10"	21'10"	21'10"	21'6"	21'6"	21'6"	21'6"	
Loader Clearance Circle Radius with Bucket at Carry Position	mm	7816	7916	7916	7757	7789	7889	7889	
	ft/in	25'8"	26'0"	26'0"	25'6"	25'7"	25'11"	25'11"	
Static Tipping Load, Straight (With tire deflection)	kg	16 073	15 896	16 204	16 546	16 191	16 016	16 325	
	lb	35,426	35,035	35,715	36,467	35,687	35,299	35,981	
Static Tipping Load, Straight (No tire deflection)	kg	17 113	16 933	17 251	17 617	17 218	17 040	17 359	
	lb	37,717	37,321	38,022	38,828	37,950	37,557	38,259	
Static Tipping Load, Articulated (With tire deflection)	kg	13 897	13 720	14 016	14 325	14 014	13 838	14 135	
	lb	30,631	30,239	30,891	31,572	30,888	30,500	31,153	
Static Tipping Load, Articulated (No tire deflection)	kg	14 962	14 782	15 087	15 419	15 066	14 888	15 193	
	lb	32,976	32,580	33,252	33,985	33,206	32,813	33,486	
Breakout Force (§)	kN	141	139	148	142	149	147	157	
	lbf	31,754	31,247	33,315	31,905	33,680	33,162	35,437	
Operating Weight*	kg	25 444	25 582	25 419	25 365	25 359	25 497	25 334	
	lb	56,079	56,383	56,023	55,905	55,891	56,195	55,835	

*Static tipping loads and operating weights shown are based on a machine configuration with Bridgestone 26.5R25 VJT L3 radial tires, full fluids, operator, standard counterweight, ride control, cold start, roading fenders, Product Link™, manual diff lock/open axles (front and rear), power train guard, secondary steering and sound suppression.

† Illustration shown with Dimension charts.

***Rock bucket specifications are given on Bridgestone 26.5R25 VSDL L5 radial tires.

(§) Measured 100 mm (4") behind tip of cutting edge with bucket hinge pin as pivot point in accordance with ISO 14397-2:2007.

(With tire deflection) Full compliance to ISO 14397-1:2007 Sections 1 thru 6, which requires 2% verification between calculations and testing.

(No tire deflection) Compliance to ISO 14397-1:2007 Sections 1 thru 5.

Other buckets are available and offerings vary by region. Consult your local Cat dealer for further details.

Operating Specifications – Buckets (continued)

Linkage		High Lift Linkage				
Bucket Type		Material Handling – Hook-On – Fusion		Material Handling – Hook-On – VCE Large		
		Bolt-On Cutting Edges	Tips	Bolt-On Cutting Edges	Bolt-On Cutting Edges	Bolt-On Cutting Edges
Edge Type						
Capacity – Rated	m ³	4.20	4.20	4.20	4.60	4.80
	yd ³	5.50	5.50	5.50	6.00	6.25
Capacity – Rated at 110% Fill Factor	m ³	4.60	4.60	4.60	5.10	5.30
	yd ³	6.00	6.00	6.00	6.75	7.00
Width	mm	2995	2996	3220	3220	3230
	ft/in	9'9"	9'9"	10'6"	10'6"	10'7"
16 † Dump Clearance at Maximum Lift and 45° Discharge	mm	3421	3141	3362	3305	3234
	ft/in	11'2"	10'3"	11'0"	10'10"	10'7"
17 † Reach at Maximum Lift and 45° Discharge	mm	1309	1520	1382	1439	1506
	ft/in	4'3"	4'11"	4'6"	4'8"	4'11"
Reach at Level Lift Arm and Bucket Level	mm	3308	3655	3401	3481	3579
	ft/in	10'10"	11'11"	11'1"	11'5"	11'8"
A † Digging Depth	mm	93	68	83	83	86
	in	3.6"	2.7"	3.2"	3.2"	3.4"
12 † Overall Length	mm	9628	10 007	9714	9794	9894
	ft/in	31'8"	32'10"	31'11"	32'2"	32'6"
B † Overall Height with Bucket at Maximum Lift	mm	6564	6657	6616	6697	6783
	ft/in	21'7"	21'11"	21'9"	22'0"	22'4"
Loader Clearance Circle Radius with Bucket at Carry Position	mm	7666	7792	7811	7837	7861
	ft/in	25'2"	25'7"	25'8"	25'9"	25'10"
Static Tipping Load, Straight (With tire deflection)	kg	16 348	16 946	15 447	15 320	15 141
	lb	36,031	37,351	34,046	33,765	33,372
Static Tipping Load, Straight (No tire deflection)	kg	17 420	18 039	16 441	16 324	16 173
	lb	38,393	39,759	36,237	35,980	35,645
Static Tipping Load, Articulated (With tire deflection)	kg	14 128	14 714	13 339	13 214	13 032
	lb	31,139	32,431	29,400	29,124	28,724
Static Tipping Load, Articulated (No tire deflection)	kg	15 224	15 830	14 359	14 244	14 089
	lb	33,553	34,890	31,648	31,394	31,053
Breakout Force (§)	kN	138	140	139	132	120
	lbf	31,087	31,551	31,373	29,691	27,089
Operating Weight*	kg	25 547	25 006	25 522	25 615	25 788
	lb	56,306	55,114	56,249	56,454	56,835

*Static tipping loads and operating weights shown are based on a machine configuration with Bridgestone 26.5R25 VJT L3 radial tires, full fluids, operator, standard counterweight, ride control, cold start, roading fenders, Product Link™, manual diff lock/open axles (front and rear), power train guard, secondary steering and sound suppression.

† Illustration shown with Dimension charts.

***Rock bucket specifications are given on Bridgestone 26.5R25 VSDL L5 radial tires.

(§) Measured 100 mm (4") behind tip of cutting edge with bucket hinge pin as pivot point in accordance with ISO 14397-2:2007.

(With tire deflection) Full compliance to ISO 14397-1:2007 Sections 1 thru 6, which requires 2% verification between calculations and testing.

(No tire deflection) Compliance to ISO 14397-1:2007 Sections 1 thru 5.

Other buckets are available and offerings vary by region. Consult your local Cat dealer for further details.

966 Wheel Loader Specifications

Operating Specifications – Buckets (continued)

Linkage			High Lift Linkage				
Bucket Type			Rock, Spade – Pin-On				Rock, Spade – Hook-On – Fusion
Edge Type		Tips	Bolt-On Cutting Edges	Bolt-On Cutting Edges	Teeth and Segments	Tips	Teeth and Segments
Capacity – Rated	m ³	3.20	2.80	3.20	3.40	3.20	3.40
	yd ³	4.25	3.75	4.25	4.50	4.25	4.50
Capacity – Rated at 110% Fill Factor	m ³	3.50	3.10	3.50	3.70	3.50	3.70
	yd ³	4.50	4.00	4.50	4.75	4.50	4.75
Width	mm	3286	3288	3288	3252	3252	3286
	ft/in	10'9"	10'9"	10'9"	10'8"	10'8"	10'9"
16† Dump Clearance at Maximum Lift and 45° Discharge	mm	3548	3837	3722	3565	3565	3529
	ft/in	11'7"	12'7"	12'2"	11'8"	11'8"	11'6"
17† Reach at Maximum Lift and 45° Discharge	mm	1513	1319	1329	1522	1522	1553
	ft/in	4'11"	4'3"	4'4"	4'11"	4'11"	5'1"
Reach at Level Lift Arm and Bucket Level	mm	3351	3006	3100	3348	3348	3395
	ft/in	10'11"	9'10"	10'2"	10'11"	10'11"	11'1"
A† Digging Depth	mm	18	53	53	62	18	50
	in	0.7"	2.1"	2.1"	2.4"	0.7"	1.9"
12† Overall Length	mm	9691	9325	9419	9674	9674	9729
	ft/in	31'10"	30'8"	30'11"	31'9"	31'9"	31'11"
B† Overall Height with Bucket at Maximum Lift	mm	6385	6413	6511	6385	6385	6191
	ft/in	21'0"	21'1"	21'5"	21'0"	21'0"	20'4"
Loader Clearance Circle Radius with Bucket at Carry Position	mm	7840	7725	7760	7816	7816	7872
	ft/in	25'9"	25'5"	25'6"	25'8"	25'8"	25'10"
Static Tipping Load, Straight (With tire deflection)	kg	17 762	17 484	17 233	17 472	17 823	17 165
	lb	39,148	38,535	37,981	38,509	39,283	37,831
Static Tipping Load, Straight (No tire deflection)	kg	18 828	18 543	18 307	18 541	18 899	18 245
	lb	41,498	40,870	40,348	40,865	41,653	40,212
Static Tipping Load, Articulated (With tire deflection)	kg	15 469	15 171	14 926	15 183	15 527	14 868
	lb	34,095	33,438	32,897	33,465	34,222	32,771
Static Tipping Load, Articulated (No tire deflection)	kg	16 562	16 258	16 027	16 279	16 629	15 976
	lb	36,504	35,833	35,323	35,880	36,651	35,211
Breakout Force (§)	kN	178	183	169	171	179	165
	lbf	40,010	41,256	38,047	38,561	40,314	37,141
Operating Weight*	kg	25 910	26 357	26 524	26 122	25 891	26 509
	lb	57,106	58,091	58,459	57,573	57,064	58,426

*Static tipping loads and operating weights shown are based on a machine configuration with Bridgestone 26.5R25 VJT L3 radial tires, full fluids, operator, standard counterweight, ride control, cold start, roading fenders, Product Link™, manual diff lock/open axles (front and rear), power train guard, secondary steering and sound suppression.

† Illustration shown with Dimension charts.

***Rock bucket specifications are given on Bridgestone 26.5R25 VSDL L5 radial tires.

(§) Measured 100 mm (4") behind tip of cutting edge with bucket hinge pin as pivot point in accordance with ISO 14397-2:2007.

(With tire deflection) Full compliance to ISO 14397-1:2007 Sections 1 thru 6, which requires 2% verification between calculations and testing.

(No tire deflection) Compliance to ISO 14397-1:2007 Sections 1 thru 5.

Other buckets are available and offerings vary by region. Consult your local Cat dealer for further details.

966 Wheel Loader Specifications

Operating Specifications – Buckets (continued)

Linkage		High Lift Linkage						
Bucket Type		Coal – Pin-On	Coal – Hook-On – Fusion					
		Bolt-On Cutting Edges	Bolt-On Cutting Edges	Teeth and Segments	Tips	Bolt-On Cutting Edges	Teeth and Segments	Tips
Edge Type								
Capacity – Rated	m ³	7.10	6.70	6.70	6.50	7.70	7.70	7.30
	yd ³	9.25	8.75	8.75	8.50	10.00	10.00	9.50
Capacity – Rated at 110% Fill Factor	m ³	7.80	7.40	7.40	7.20	8.50	8.50	8.00
	yd ³	10.25	9.75	9.75	9.50	11.00	11.00	10.50
Width	mm	3447	3447	3520	3520	3447	3521	3521
	ft/in	11'3"	11'3"	11'6"	11'6"	11'3"	11'6"	11'6"
16† Dump Clearance at Maximum Lift and 45° Discharge	mm	3193	3266	3093	3093	3155	2984	2984
	ft/in	10'5"	10'8"	10'1"	10'1"	10'4"	9'9"	9'9"
17† Reach at Maximum Lift and 45° Discharge	mm	1520	1453	1596	1596	1564	1705	1705
	ft/in	4'11"	4'9"	5'2"	5'2"	5'1"	5'7"	5'7"
Reach at Level Lift Arm and Bucket Level	mm	3618	3519	3743	3743	3676	3896	3896
	ft/in	11'10"	11'6"	12'3"	12'3"	12'0"	12'9"	12'9"
A† Digging Depth	mm	105	101	91	64	101	91	64
	in	4.1"	3.9"	3.6"	2.5"	3.9"	3.6"	2.5"
12† Overall Length	mm	9945	9844	10 082	10 082	10 001	10 235	10 235
	ft/in	32'8"	32'4"	33'1"	33'1"	32'10"	33'7"	33'7"
B† Overall Height with Bucket at Maximum Lift	mm	6639	6702	6704	6704	6855	6855	6855
	ft/in	21'10"	22'0"	22'0"	22'0"	22'6"	22'6"	22'6"
Loader Clearance Circle Radius with Bucket at Carry Position	mm	7978	7971	8086	8086	8023	8139	8139
	ft/in	26'3"	26'2"	26'7"	26'7"	26'4"	26'9"	26'9"
Static Tipping Load, Straight (With tire deflection)	kg	16 374	16 076	15 947	16 242	15 785	15 652	15 835
	lb	36,089	35,432	35,148	35,797	34,790	34,498	34,901
Static Tipping Load, Straight (No tire deflection)	kg	17 476	17 191	17 060	17 353	16 918	16 784	16 954
	lb	38,518	37,889	37,600	38,247	37,289	36,993	37,366
Static Tipping Load, Articulated (With tire deflection)	kg	14 172	13 856	13 727	14 014	13 572	13 440	13 631
	lb	31,235	30,539	30,255	30,888	29,914	29,622	30,044
Static Tipping Load, Articulated (No tire deflection)	kg	15 297	14 993	14 862	15 149	14 728	14 594	14 773
	lb	33,715	33,045	32,757	33,389	32,462	32,166	32,560
Breakout Force (§)	kN	118	125	125	133	113	112	119
	lbf	26,622	28,203	28,138	29,921	25,425	25,316	26,839
Operating Weight*	kg	25 157	25 653	25 750	25 574	25 841	25 938	25 763
	lb	55,444	56,539	56,752	56,365	56,953	57,168	56,782

*Static tipping loads and operating weights shown are based on a machine configuration with Bridgestone 26.5R25 VJT L3 radial tires, full fluids, operator, standard counterweight, ride control, cold start, roading fenders, Product Link™, manual diff lock/open axles (front and rear), power train guard, secondary steering and sound suppression.

† Illustration shown with Dimension charts.

***Rock bucket specifications are given on Bridgestone 26.5R25 VSDL L5 radial tires.

(§) Measured 100 mm (4") behind tip of cutting edge with bucket hinge pin as pivot point in accordance with ISO 14397-2:2007.

(With tire deflection) Full compliance to ISO 14397-1:2007 Sections 1 thru 6, which requires 2% verification between calculations and testing.

(No tire deflection) Compliance to ISO 14397-1:2007 Sections 1 thru 5.

Other buckets are available and offerings vary by region. Consult your local Cat dealer for further details.

966 Wheel Loader Specifications

Operating Specifications – Buckets (continued)

Linkage		High Lift Linkage					
Bucket Type		Multi-Purpose – Pin-On			Multi-Purpose – Hook-On – Fusion		
Edge Type		Bolt-On Cutting Edges	Teeth and Segments	Tips	Bolt-On Cutting Edges	Teeth and Segments	Tips
Capacity – Rated	m ³	3.10	3.10	2.90	3.10	3.10	2.90
	yd ³	4.00	4.00	3.75	4.00	4.00	3.75
Capacity – Rated at 110% Fill Factor	m ³	3.40	3.40	3.20	3.40	3.40	3.10
	yd ³	4.50	4.50	4.25	4.50	4.50	4.00
Width	mm	3226	3226	3226	3226	3301	3301
	ft/in	10'7"	10'7"	10'7"	10'7"	10'9"	10'9"
16 † Dump Clearance at Maximum Lift and 45° Discharge	mm	3769	3640	3640	3878	3752	3752
	ft/in	12'4"	11'11"	11'11"	12'8"	12'3"	12'3"
17 † Reach at Maximum Lift and 45° Discharge	mm	1310	1484	1484	1393	1561	1561
	ft/in	4'3"	4'10"	4'10"	4'6"	5'1"	5'1"
Reach at Level Lift Arm and Bucket Level	mm	2991	3206	3206	3012	3220	3220
	ft/in	9'9"	10'6"	10'6"	9'10"	10'6"	10'6"
A † Digging Depth	mm	223	223	188	83	78	48
	in	8.8"	8.8"	7.4"	3.3"	3.1"	1.9"
12 † Overall Length	mm	9393	9624	9624	9326	9551	9551
	ft/in	30'10"	31'7"	31'7"	30'8"	31'5"	31'5"
B † Overall Height with Bucket at Maximum Lift	mm	6085	6085	6085	6204	6204	6204
	ft/in	20'0"	20'0"	20'0"	20'5"	20'5"	20'5"
Loader Clearance Circle Radius with Bucket at Carry Position	mm	7740	7813	7813	7704	7813	7813
	ft/in	25'5"	25'8"	25'8"	25'4"	25'8"	25'8"
Static Tipping Load, Straight (With tire deflection)	kg	15 597	15 396	16 003	15 833	15 661	15 942
	lb	34,377	33,933	35,271	34,896	34,517	35,138
Static Tipping Load, Straight (No tire deflection)	kg	16 500	16 296	16 914	16 819	16 644	16 935
	lb	36,366	35,917	37,279	37,070	36,683	37,325
Static Tipping Load, Articulated (With tire deflection)	kg	13 487	13 285	13 883	13 664	13 492	13 760
	lb	29,726	29,281	30,599	30,116	29,737	30,328
Static Tipping Load, Articulated (No tire deflection)	kg	14 417	14 213	14 822	14 676	14 500	14 777
	lb	31,776	31,326	32,669	32,346	31,959	32,570
Breakout Force (§)	kN	180	177	195	188	186	200
	lbf	40,607	39,946	43,848	42,268	41,890	45,003
Operating Weight*	kg	25 417	25 580	25 151	25 857	26 016	25 854
	lb	56,019	56,378	55,431	56,989	57,338	56,981

*Static tipping loads and operating weights shown are based on a machine configuration with Bridgestone 26.5R25 VJT L3 radial tires, full fluids, operator, standard counterweight, ride control, cold start, roading fenders, Product Link™, manual diff lock/open axles (front and rear), power train guard, secondary steering and sound suppression.

† Illustration shown with Dimension charts.

***Rock bucket specifications are given on Bridgestone 26.5R25 VSDL L5 radial tires.

(§) Measured 100 mm (4") behind tip of cutting edge with bucket hinge pin as pivot point in accordance with ISO 14397-2:2007.

(With tire deflection) Full compliance to ISO 14397-1:2007 Sections 1 thru 6, which requires 2% verification between calculations and testing.

(No tire deflection) Compliance to ISO 14397-1:2007 Sections 1 thru 5.

Other buckets are available and offerings vary by region. Consult your local Cat dealer for further details.

966 Wheel Loader Specifications

Operating Specifications – Buckets (continued)

Linkage		High Lift Linkage				
		Side Dump – Hook-On – Fusion	Side Dump – Pin-On	Woodchip – Hook-On – Fusion	Woodchip – Pin-On	
Bucket Type		Bolt-On Cutting Edges	Bolt-On Cutting Edges	Bolt-On Cutting Edges	Bolt-On Cutting Edges	Bolt-On Cutting Edges
Edge Type						
Capacity – Rated	m ³	3.60	3.60	11.90	8.20	11.90
	yd ³	4.75	4.75	15.50	10.75	15.50
Capacity – Rated at 110% Fill Factor	m ³	4.00	4.00	13.10	9.00	13.10
	yd ³	5.25	5.25	17.25	11.75	17.25
Width	mm	3677	3677	3943	3327	3943
	ft/in	12'0"	12'0"	12'11"	10'11"	12'11"
16 † Dump Clearance at Maximum Lift and 45° Discharge	mm	3410	3457	3000	3159	3000
	ft/in	11'2"	11'4"	9'10"	10'4"	9'10"
17 † Reach at Maximum Lift and 45° Discharge	mm	1345	1270	1763	1547	1707
	ft/in	4'4"	4'2"	5'9"	5'0"	5'7"
Reach at Level Lift Arm and Bucket Level	mm	3341	3255	3926	3661	3887
	ft/in	10'11"	10'8"	12'10"	12'0"	12'9"
A † Digging Depth	mm	75	95	70	110	109
	in	2.9"	3.7"	2.7"	4.3"	4.3"
12 † Overall Length	mm	9649	9576	10 230	9992	10 217
	ft/in	31'8"	31'5"	33'7"	32'10"	33'7"
B † Overall Height with Bucket at Maximum Lift	mm	6413	6344	7254	7031	7247
	ft/in	21'1"	20'10"	23'10"	23'1"	23'10"
Loader Clearance Circle Radius with Bucket at Carry Position	mm	8075	7268	8419	7942	8282
	ft/in	26'6"	23'11"	27'8"	26'1"	27'3"
Static Tipping Load, Straight (With tire deflection)	kg	14 208	15 851	14 293	17 188	15 956
	lb	31,315	34,937	31,503	37,882	35,169
Static Tipping Load, Straight (No tire deflection)	kg	15 056	16 854	15 312	18 391	17 147
	lb	33,184	37,146	33,748	40,535	37,792
Static Tipping Load, Articulated (With tire deflection)	kg	12 235	13 723	12 233	14 951	13 740
	lb	26,966	30,246	26,961	32,952	30,283
Static Tipping Load, Articulated (No tire deflection)	kg	13 109	14 751	13 276	16 174	14 951
	lb	28,894	32,511	29,261	35,649	32,952
Breakout Force (§)	kN	161	151	108	118	100
	lbf	36,329	34,069	24,442	26,554	22,591
Operating Weight*	kg	25 824	25 287	26 147	24 662	25 682
	lb	56,916	55,733	57,626	54,353	56,602

*Static tipping loads and operating weights shown are based on a machine configuration with Bridgestone 26.5R25 VJT L3 radial tires, full fluids, operator, standard counterweight, ride control, cold start, roading fenders, Product Link™, manual diff lock/open axles (front and rear), power train guard, secondary steering and sound suppression.

† Illustration shown with Dimension charts.

***Rock bucket specifications are given on Bridgestone 26.5R25 VSDL L5 radial tires.

(§) Measured 100 mm (4") behind tip of cutting edge with bucket hinge pin as pivot point in accordance with ISO 14397-2:2007.

(With tire deflection) Full compliance to ISO 14397-1:2007 Sections 1 thru 6, which requires 2% verification between calculations and testing.

(No tire deflection) Compliance to ISO 14397-1:2007 Sections 1 thru 5.

Other buckets are available and offerings vary by region. Consult your local Cat dealer for further details.

966 Wheel Loader Specifications

Operating Specifications – Buckets (continued)

Linkage		High Lift Linkage		
Bucket Type		Waste, Dozing – Pin-On	Waste, Load and Carry – Pin-On	Waste, Top Clamp – Pin-On
		Steel Bolt-On Cutting Edges	Steel Bolt-On Cutting Edges	Steel Bolt-On Cutting Edges
Edge Type				
Capacity – Rated	m ³	6.50	7.40	5.00
	yd ³	8.50	9.75	6.50
Capacity – Rated at 110% Fill Factor	m ³	7.20	8.10	5.50
	yd ³	9.50	10.50	7.25
Width	mm	3357	3357	3357
	ft/in	11'0"	11'0"	11'0"
16† Dump Clearance at Maximum Lift and 45° Discharge	mm	3481	3200	2987
	ft/in	11'5"	10'6"	9'9"
17† Reach at Maximum Lift and 45° Discharge	mm	1210	1490	1704
	ft/in	3'11"	4'10"	5'7"
Reach at Level Lift Arm and Bucket Level	mm	3195	3592	3894
	ft/in	10'5"	11'9"	12'9"
A† Digging Depth	mm	121	81	81
	in	4.7"	3.1"	3.1"
12† Overall Length	mm	9533	9930	10 232
	ft/in	31'4"	32'7"	33'7"
B† Overall Height with Bucket at Maximum Lift	mm	7130	6907	6046
	ft/in	23'5"	22'8"	19'11"
Loader Clearance Circle Radius with Bucket at Carry Position	mm	7816	7937	8032
	ft/in	25'8"	26'1"	26'5"
Static Tipping Load, Straight (With tire deflection)	kg	17 058	15 666	13 821
	lb	37,597	34,528	30,462
Static Tipping Load, Straight (No tire deflection)	kg	18 296	16 768	14 749
	lb	40,324	36,957	32,508
Static Tipping Load, Articulated (With tire deflection)	kg	14 733	13 478	11 779
	lb	32,472	29,707	25,962
Static Tipping Load, Articulated (No tire deflection)	kg	15 989	14 604	12 736
	lb	35,241	32,187	28,071
Breakout Force (§)	kN	154	124	101
	lbf	34,803	27,875	22,830
Operating Weight*	kg	25 546	25 770	26 557
	lb	56,302	56,795	58,530

*Static tipping loads and operating weights shown are based on a machine configuration with Bridgestone 26.5R25 VJT L3 radial tires, full fluids, operator, standard counterweight, ride control, cold start, roading fenders, Product Link™, manual diff lock/open axles (front and rear), power train guard, secondary steering and sound suppression.

† Illustration shown with Dimension charts.

***Rock bucket specifications are given on Bridgestone 26.5R25 VSDL L5 radial tires.

(§) Measured 100 mm (4") behind tip of cutting edge with bucket hinge pin as pivot point in accordance with ISO 14397-2:2007.

(With tire deflection) Full compliance to ISO 14397-1:2007 Sections 1 thru 6, which requires 2% verification between calculations and testing.

(No tire deflection) Compliance to ISO 14397-1:2007 Sections 1 thru 5.

Other buckets are available and offerings vary by region. Consult your local Cat dealer for further details.

966 Wheel Loader Specifications

Operating Specifications – Buckets (continued)

Linkage		High Lift Linkage				
Bucket Type		High Dump – Hook-On – Fusion				
Edge Type		Bolt-On Cutting Edges	Bolt-On Cutting Edges	Bolt-On Cutting Edges	Bolt-On Cutting Edges	Bolt-On Cutting Edges
Capacity – Rated	m ³	5.40	5.40	7.60	9.20	11.10
	yd ³	7.00	7.00	10.00	12.00	14.50
Capacity – Rated at 110% Fill Factor	m ³	5.90	5.90	8.40	10.10	12.20
	yd ³	7.75	7.75	11.00	13.25	16.00
Width	mm	3059	3059	3350	3656	3656
	ft/in	10'0"	10'0"	10'11"	11'11"	11'11"
16† Dump Clearance at Maximum Lift and 45° Discharge	mm	3159	3159	2970	2914	2758
	ft/in	10'4"	10'4"	9'8"	9'6"	9'0"
17† Reach at Maximum Lift and 45° Discharge	mm	1544	1544	1765	1822	1977
	ft/in	5'0"	5'0"	5'9"	5'11"	6'5"
Reach at Level Lift Arm and Bucket Level	mm	3659	3659	3949	4029	4249
	ft/in	12'0"	12'0"	12'11"	13'2"	13'11"
A† Digging Depth	mm	112	112	59	59	59
	in	4.4"	4.4"	2.3"	2.3"	2.3"
12† Overall Length	mm	9992	9992	10 266	10 346	10 566
	ft/in	32'10"	32'10"	33'9"	34'0"	34'8"
B† Overall Height with Bucket at Maximum Lift	mm	6752	6752	6965	7047	7271
	ft/in	22'2"	22'2"	22'11"	23'2"	23'11"
Loader Clearance Circle Radius with Bucket at Carry Position	mm	7852	7852	8071	8232	8310
	ft/in	25'10"	25'10"	26'6"	27'1"	27'4"
Static Tipping Load, Straight (With tire deflection)	kg	15 312	15 312	14 628	14 379	14 095
	lb	33,749	33,749	32,240	31,691	31,067
Static Tipping Load, Straight (No tire deflection)	kg	16 373	16 373	15 735	15 495	15 239
	lb	36,086	36,086	34,681	34,151	33,588
Static Tipping Load, Articulated (With tire deflection)	kg	13 163	13 163	12 492	12 245	11 966
	lb	29,013	29,013	27,534	26,988	26,373
Static Tipping Load, Articulated (No tire deflection)	kg	14 247	14 247	13 623	13 383	13 131
	lb	31,401	31,401	30,025	29,497	28,941
Breakout Force (§)	kN	115	115	100	95	84
	lbf	25,931	25,931	22,679	21,477	19,012
Operating Weight*	kg	25 850	25 850	26 431	26 647	26 854
	lb	56,974	56,974	58,254	58,730	59,187

*Static tipping loads and operating weights shown are based on a machine configuration with Bridgestone 26.5R25 VJT L3 radial tires, full fluids, operator, standard counterweight, ride control, cold start, roading fenders, Product Link™, manual diff lock/open axles (front and rear), power train guard, secondary steering and sound suppression.

† Illustration shown with Dimension charts.

***Rock bucket specifications are given on Bridgestone 26.5R25 VSDL L5 radial tires.

(§) Measured 100 mm (4") behind tip of cutting edge with bucket hinge pin as pivot point in accordance with ISO 14397-2:2007.

(With tire deflection) Full compliance to ISO 14397-1:2007 Sections 1 thru 6, which requires 2% verification between calculations and testing.

(No tire deflection) Compliance to ISO 14397-1:2007 Sections 1 thru 5.

Other buckets are available and offerings vary by region. Consult your local Cat dealer for further details.

966 Wheel Loader Specifications

Operating Specifications – Buckets *(continued)*

Linkage		High Lift Linkage					
Bucket Type		High Dump – Pin-On			High Dump – Hook-On – SW		
		Bolt-On Cutting Edges	Bolt-On Cutting Edges	Bolt-On Cutting Edges	Bolt-On Cutting Edges	Bolt-On Cutting Edges	Bolt-On Cutting Edges
Edge Type							
Capacity – Rated	m ³	7.60	9.20	11.10	7.60	9.20	11.10
	yd ³	10.00	12.00	14.50	10.00	12.00	14.50
Capacity – Rated at 110% Fill Factor	m ³	8.40	10.10	12.20	8.40	10.10	12.20
	yd ³	11.00	13.25	16.00	11.00	13.25	16.00
Width	mm	3350	3656	3656	3350	3656	3656
	ft/in	10'11"	11'11"	11'11"	10'11"	11'11"	11'11"
16 † Dump Clearance at Maximum Lift and 45° Discharge	mm	2984	2928	2772	2939	2882	2726
	ft/in	9'9"	9'7"	9'1"	9'7"	9'5"	8'11"
17 † Reach at Maximum Lift and 45° Discharge	mm	1751	1808	1963	1797	1854	2009
	ft/in	5'8"	5'11"	6'5"	5'10"	6'0"	6'7"
Reach at Level Lift Arm and Bucket Level	mm	3929	4009	4229	3994	4074	4294
	ft/in	12'10"	13'1"	13'10"	13'1"	13'4"	14'1"
A † Digging Depth	mm	59	59	59	59	59	59
	in	2.3"	2.3"	2.3"	2.3"	2.3"	2.3"
12 † Overall Length	mm	10 246	10 326	10 546	10 311	10 391	10 611
	ft/in	33'8"	33'11"	34'8"	33'10"	34'2"	34'10"
B † Overall Height with Bucket at Maximum Lift	mm	6953	7035	7258	6998	7080	7304
	ft/in	22'10"	23'1"	23'10"	23'0"	23'3"	24'0"
Loader Clearance Circle Radius with Bucket at Carry Position	mm	8062	8223	8300	8051	8210	8283
	ft/in	26'6"	27'0"	27'3"	26'5"	27'0"	27'3"
Static Tipping Load, Straight (With tire deflection)	kg	15 081	14 833	14 546	14 534	14 287	14 004
	lb	33,239	32,693	32,061	32,033	31,489	30,864
Static Tipping Load, Straight (No tire deflection)	kg	16 200	15 961	15 704	15 638	15 400	15 143
	lb	35,705	35,180	34,612	34,466	33,942	33,377
Static Tipping Load, Articulated (With tire deflection)	kg	12 939	12 692	12 410	12 413	12 168	11 888
	lb	28,518	27,974	27,352	27,359	26,818	26,203
Static Tipping Load, Articulated (No tire deflection)	kg	14 080	13 843	13 589	13 540	13 303	13 050
	lb	31,034	30,510	29,950	29,842	29,320	28,762
Breakout Force (§)	kN	102	96	85	98	92	82
	lbf	22,962	21,744	19,238	22,046	20,883	18,509
Operating Weight*	kg	25 953	26 169	26 376	26 387	26 603	26 810
	lb	57,199	57,675	58,131	58,155	58,631	59,088

*Static tipping loads and operating weights shown are based on a machine configuration with Bridgestone 26.5R25 VJT L3 radial tires, full fluids, operator, standard counterweight, ride control, cold start, roading fenders, Product Link™, manual diff lock/open axles (front and rear), power train guard, secondary steering and sound suppression.

† Illustration shown with Dimension charts.

***Rock bucket specifications are given on Bridgestone 26.5R25 VSDL L5 radial tires.

(§) Measured 100 mm (4") behind tip of cutting edge with bucket hinge pin as pivot point in accordance with ISO 14397-2:2007.

(With tire deflection) Full compliance to ISO 14397-1:2007 Sections 1 thru 6, which requires 2% verification between calculations and testing.

(No tire deflection) Compliance to ISO 14397-1:2007 Sections 1 thru 5.

Other buckets are available and offerings vary by region. Consult your local Cat dealer for further details.

966 Wheel Loader Specifications

Operating Specifications – Buckets (continued)

Linkage		High Lift Linkage			
Bucket Type		High Dump – Hook-On – VCE Large			Slag – Pin-On
Edge Type		Bolt-On Cutting Edges	Bolt-On Cutting Edges	Bolt-On Cutting Edges	Teeth and Segments
Capacity – Rated	m ³	7.60	9.20	11.10	3.40
	yd ³	10.00	12.00	14.50	4.50
Capacity – Rated at 110% Fill Factor	m ³	8.40	10.10	12.20	3.80
	yd ³	11.00	13.25	16.00	5.00
Width	mm	3350	3656	3656	3250
	ft/in	10'11"	11'11"	11'11"	10'7"
16† Dump Clearance at Maximum Lift and 45° Discharge	mm	2897	2840	2685	3609
	ft/in	9'6"	9'3"	8'9"	11'10"
17† Reach at Maximum Lift and 45° Discharge	mm	1857	1913	2069	1356
	ft/in	6'1"	6'3"	6'9"	4'5"
Reach at Level Lift Arm and Bucket Level	mm	4066	4146	4366	3173
	ft/in	13'4"	13'7"	14'3"	10'4"
A† Digging Depth	mm	46	46	46	88
	in	1.8"	1.8"	1.8"	3.4"
12† Overall Length	mm	10 374	10 454	10 674	9522
	ft/in	34'1"	34'4"	35'1"	31'3"
B† Overall Height with Bucket at Maximum Lift	mm	7054	7136	7360	6228
	ft/in	23'2"	23'5"	24'2"	20'6"
Loader Clearance Circle Radius with Bucket at Carry Position	mm	8094	8255	8334	7769
	ft/in	26'7"	27'1"	27'5"	25'6"
Static Tipping Load, Straight (With tire deflection)	kg	13 996	13 744	13 447	15 268
	lb	30,847	30,291	29,637	33,651
Static Tipping Load, Straight (No tire deflection)	kg	15 068	14 822	14 547	16 288
	lb	33,210	32,668	32,063	35,900
Static Tipping Load, Articulated (With tire deflection)	kg	11 919	11 669	11 378	13 033
	lb	26,270	25,719	25,079	28,725
Static Tipping Load, Articulated (No tire deflection)	kg	13 014	12 771	12 502	14 079
	lb	28,684	28,147	27,554	31,031
Breakout Force (§)	kN	95	90	80	189
	lbf	21,486	20,365	18,091	42,679
Operating Weight*	kg	26 597	26 812	27 020	26 760
	lb	58,618	59,092	59,550	58,977

*Static tipping loads and operating weights shown are based on a machine configuration with Bridgestone 26.5R25 VJT L3 radial tires, full fluids, operator, standard counterweight, ride control, cold start, roading fenders, Product Link™, manual diff lock/open axles (front and rear), power train guard, secondary steering and sound suppression.

† Illustration shown with Dimension charts.

***Rock bucket specifications are given on Bridgestone 26.5R25 VSDL L5 radial tires.

(§) Measured 100 mm (4") behind tip of cutting edge with bucket hinge pin as pivot point in accordance with ISO 14397-2:2007.

(With tire deflection) Full compliance to ISO 14397-1:2007 Sections 1 thru 6, which requires 2% verification between calculations and testing.

(No tire deflection) Compliance to ISO 14397-1:2007 Sections 1 thru 5.

Other buckets are available and offerings vary by region. Consult your local Cat dealer for further details.

966 Wheel Loader Specifications

Operating Specifications – Buckets *(continued)*

Linkage		Aggregate Handler Linkage			
Bucket Type		General Purpose – Hook-On – Fusion			
Edge Type		Bolt-On Cutting Edges	Bolt-On Cutting Edges	Bolt-On Cutting Edges	Bolt-On Cutting Edges
Capacity – Rated	m ³	4.20	3.80	4.60	4.00
	yd ³	5.50	5.00	6.00	5.25
Capacity – Rated at 110% Fill Factor	m ³	4.60	4.20	5.10	4.40
	yd ³	6.00	5.50	6.75	5.75
Width	mm	3220	3220	3220	3201
	ft/in	10'6"	10'6"	10'6"	10'6"
16† Dump Clearance at Maximum Lift and 45° Discharge	mm	2970	3048	2957	3035
	ft/in	9'8"	10'0"	9'8"	9'11"
17† Reach at Maximum Lift and 45° Discharge	mm	1395	1324	1398	1327
	ft/in	4'6"	4'4"	4'7"	4'4"
Reach at Level Lift Arm and Bucket Level	mm	2855	2745	2865	2757
	ft/in	9'4"	9'0"	9'4"	9'0"
A† Digging Depth	mm	106	114	113	84
	in	4.2"	4.5"	4.4"	3.3"
12† Overall Length	mm	9067	8964	9083	8979
	ft/in	29'9"	29'5"	29'10"	29'6"
B† Overall Height with Bucket at Maximum Lift	mm	5970	5813	6048	5929
	ft/in	19'8"	19'1"	19'11"	19'6"
Loader Clearance Circle Radius with Bucket at Carry Position	mm	7539	7512	7544	7508
	ft/in	24'9"	24'8"	24'9"	24'8"
Static Tipping Load, Straight (With tire deflection)	kg	17 792	18 079	17 935	18 029
	lb	39,214	39,846	39,530	39,736
Static Tipping Load, Straight (No tire deflection)	kg	19 021	19 309	19 213	19 274
	lb	41,923	42,559	42,346	42,480
Static Tipping Load, Articulated (With tire deflection)	kg	15 543	15 807	15 655	15 757
	lb	34,257	34,840	34,503	34,730
Static Tipping Load, Articulated (No tire deflection)	kg	16 786	17 052	16 944	17 015
	lb	36,998	37,582	37,346	37,503
Breakout Force (§)	kN	166	180	164	190
	lbf	37,396	40,648	37,021	42,726
Operating Weight*	kg	24 218	24 154	24 332	24 202
	lb	53,375	53,235	53,627	53,341

*Static tipping loads and operating weights shown are based on a machine configuration with Bridgestone 26.5R25 VJT L3 radial tires, full fluids, operator, aggregate counterweight, ride control, cold start, roading fenders, Product Link, manual diff lock/open axles (front and rear), power train guard, secondary steering and sound suppression. If a rock bucket is added, these values are with Bridgestone 26.5R25 VSDL L5 tires.

** Aggregate Handler configuration is not compatible with spade nose rock buckets and high lift.

† Illustration shown with Dimension charts.

(§) Measured 100 mm (4") behind tip of cutting edge with bucket hinge pin as pivot point in accordance with ISO 14397-2:2007.

(With tire deflection) Full compliance to ISO 14397-1:2007 Sections 1 thru 6, which requires 2% verification between calculations and testing.

(No tire deflection) Compliance to ISO 14397-1:2007 Sections 1 thru 5.

Other buckets are available and offerings vary by region. Consult your local Cat dealer for further details.

966 Wheel Loader Specifications

Operating Specifications – Buckets (continued)

Linkage		Aggregate Handler Linkage					
Bucket Type		General Purpose – Pin-On				General Purpose – Hook-On – VCE Large	
Edge Type		Bolt-On Cutting Edges	Bolt-On Cutting Edges	Bolt-On Cutting Edges	Bolt-On Cutting Edges	Bolt-On Cutting Edges	Bolt-On Cutting Edges
Capacity – Rated	m ³	4.60	3.80	4.20	4.00	4.00	4.40
	yd ³	6.00	5.00	5.50	5.25	5.25	5.75
Capacity – Rated at 110% Fill Factor	m ³	5.10	4.20	4.60	4.40	4.40	4.80
	yd ³	6.75	5.50	6.00	5.75	5.75	6.25
Width	mm	3264	3220	3220	3220	3220	3220
	ft/in	10'8"	10'6"	10'6"	10'6"	10'6"	10'6"
16 † Dump Clearance at Maximum Lift and 45° Discharge	mm	2987	3077	3001	3068	2915	2851
	ft/in	9'9"	10'1"	9'10"	10'0"	9'6"	9'4"
17 † Reach at Maximum Lift and 45° Discharge	mm	1361	1289	1350	1296	1484	1530
	ft/in	4'5"	4'2"	4'5"	4'3"	4'10"	5'0"
Reach at Level Lift Arm and Bucket Level	mm	2818	2701	2800	2712	2954	3034
	ft/in	9'2"	8'10"	9'2"	8'10"	9'8"	9'11"
A † Digging Depth	mm	114	114	114	114	108	108
	in	4.5"	4.5"	4.5"	4.5"	4.2"	4.2"
12 † Overall Length	mm	9037	8919	9018	8931	9168	9248
	ft/in	29'8"	29'4"	29'8"	29'4"	30'1"	30'5"
B † Overall Height with Bucket at Maximum Lift	mm	6021	5787	5898	5898	5988	6106
	ft/in	19'10"	19'0"	19'5"	19'5"	19'8"	20'1"
Loader Clearance Circle Radius with Bucket at Carry Position	mm	7537	7488	7512	7491	7551	7574
	ft/in	24'9"	24'7"	24'8"	24'7"	24'10"	24'11"
Static Tipping Load, Straight (With tire deflection)	kg	18 444	18 678	18 449	18 662	16 893	16 753
	lb	40,651	41,167	40,661	41,133	37,233	36,924
Static Tipping Load, Straight (No tire deflection)	kg	19 733	19 935	19 708	19 930	18 074	17 950
	lb	43,491	43,938	43,436	43,927	39,835	39,562
Static Tipping Load, Articulated (With tire deflection)	kg	16 143	16 378	16 160	16 358	14 725	14 585
	lb	35,579	36,097	35,617	36,054	32,454	32,147
Static Tipping Load, Articulated (No tire deflection)	kg	17 444	17 647	17 432	17 638	15 922	15 799
	lb	38,447	38,895	38,420	38,875	35,092	34,821
Breakout Force (§)	kN	170	187	173	185	153	145
	lbf	38,302	42,167	38,999	41,712	34,572	32,680
Operating Weight*	kg	23 930	23 739	23 847	23 791	24 422	24 528
	lb	52,741	52,321	52,559	52,435	53,826	54,060

*Static tipping loads and operating weights shown are based on a machine configuration with Bridgestone 26.5R25 VJT L3 radial tires, full fluids, operator, aggregate counterweight, ride control, cold start, roading fenders, Product Link, manual diff lock/open axles (front and rear), power train guard, secondary steering and sound suppression. If a rock bucket is added, these values are with Bridgestone 26.5R25 VSDL L5 tires.

** Aggregate Handler configuration is not compatible with spade nose rock buckets and high lift.

† Illustration shown with Dimension charts.

(§) Measured 100 mm (4") behind tip of cutting edge with bucket hinge pin as pivot point in accordance with ISO 14397-2:2007.

(With tire deflection) Full compliance to ISO 14397-1:2007 Sections 1 thru 6, which requires 2% verification between calculations and testing.

(No tire deflection) Compliance to ISO 14397-1:2007 Sections 1 thru 5.

Other buckets are available and offerings vary by region. Consult your local Cat dealer for further details.

966 Wheel Loader Specifications

Operating Specifications – Buckets *(continued)*

Linkage		Aggregate Handler Linkage					
Bucket Type		Material Handling – Hook-On – Fusion					
Edge Type		Bolt-On Cutting Edges	Bolt-On Cutting Edges	Bolt-On Cutting Edges	Bolt-On Cutting Edges	Bolt-On Cutting Edges	Bolt-On Cutting Edges
Capacity – Rated	m ³	4.20	4.20	4.80	4.40	4.40	4.20
	yd ³	5.50	5.50	6.25	5.75	5.75	5.50
Capacity – Rated at 110% Fill Factor	m ³	4.60	4.60	5.30	4.80	4.80	4.60
	yd ³	6.00	6.00	7.00	6.25	6.25	6.00
Width	mm	3243	3220	3220	3220	3220	2995
	ft/in	10'7"	10'6"	10'6"	10'6"	10'6"	9'9"
16 † Dump Clearance at Maximum Lift and 45° Discharge	mm	3001	2909	2824	4266	2882	4272
	ft/in	9'10"	9'6"	9'3"	13'11"	9'5"	14'0"
17 † Reach at Maximum Lift and 45° Discharge	mm	1206	1293	1378	2038	1320	2066
	ft/in	3'11"	4'2"	4'6"	6'8"	4'3"	6'9"
Reach at Level Lift Arm and Bucket Level	mm	2716	2842	2962	2875	2881	2904
	ft/in	8'10"	9'3"	9'8"	9'5"	9'5"	9'6"
A † Digging Depth	mm	111	114	114	118	114	118
	in	4.3"	4.5"	4.5"	4.6"	4.5"	4.6"
12 † Overall Length	mm	8932	9061	9181	9097	9099	9126
	ft/in	29'4"	29'9"	30'2"	29'11"	29'11"	30'0"
B † Overall Height with Bucket at Maximum Lift	mm	5872	5953	6076	5978	5983	6005
	ft/in	19'4"	19'7"	20'0"	19'8"	19'8"	19'9"
Loader Clearance Circle Radius with Bucket at Carry Position	mm	7514	7538	7571	7520	7549	7424
	ft/in	24'8"	24'9"	24'11"	24'9"	24'10"	24'5"
Static Tipping Load, Straight (With tire deflection)	kg	18 495	17 673	17 448	18 032	17 596	17 825
	lb	40,764	38,951	38,457	39,743	38,781	39,287
Static Tipping Load, Straight (No tire deflection)	kg	19 782	18 893	18 688	19 323	18 823	19 117
	lb	43,601	41,642	41,189	42,588	41,486	42,134
Static Tipping Load, Articulated (With tire deflection)	kg	16 187	15 432	15 213	15 741	15 356	15 536
	lb	35,677	34,012	33,531	34,694	33,846	34,243
Static Tipping Load, Articulated (No tire deflection)	kg	17 486	16 667	16 467	17 044	16 598	16 840
	lb	38,540	36,735	36,294	37,566	36,582	37,117
Breakout Force (§)	kN	185	167	153	161	162	157
	lbf	41,638	37,690	34,540	36,279	36,614	35,380
Operating Weight*	kg	24 035	24 303	24 443	24 364	24 358	24 546
	lb	52,972	53,564	53,871	53,698	53,684	54,099

*Static tipping loads and operating weights shown are based on a machine configuration with Bridgestone 26.5R25 VJT L3 radial tires, full fluids, operator, aggregate counterweight, ride control, cold start, roading fenders, Product Link, manual diff lock/open axles (front and rear), power train guard, secondary steering and sound suppression. If a rock bucket is added, these values are with Bridgestone 26.5R25 VSDL L5 tires.

** Aggregate Handler configuration is not compatible with spade nose rock buckets and high lift.

† Illustration shown with Dimension charts.

(§) Measured 100 mm (4") behind tip of cutting edge with bucket hinge pin as pivot point in accordance with ISO 14397-2:2007.

(With tire deflection) Full compliance to ISO 14397-1:2007 Sections 1 thru 6, which requires 2% verification between calculations and testing.

(No tire deflection) Compliance to ISO 14397-1:2007 Sections 1 thru 5.

Other buckets are available and offerings vary by region. Consult your local Cat dealer for further details.

Operating Specifications – Buckets (continued)

Linkage		Aggregate Handler Linkage						
Bucket Type		Material Handling – Pin-On						
Edge Type		Bolt-On Cutting Edges	Bolt-On Cutting Edges	Bolt-On Cutting Edges	Bolt-On Cutting Edges	Bolt-On Cutting Edges	Bolt-On Cutting Edges	Bolt-On Cutting Edges
Capacity – Rated	m ³	4.60	4.60	4.20	4.80	4.80	4.40	4.20
	yd ³	6.00	6.00	5.50	6.25	6.25	5.75	5.50
Capacity – Rated at 110% Fill Factor	m ³	5.10	5.10	4.60	5.30	5.30	4.80	4.60
	yd ³	6.75	6.75	6.00	7.00	7.00	6.25	6.00
Width	mm	3220	3220	3220	3220	3220	3220	2995
	ft/in	10'6"	10'6"	10'6"	10'6"	10'6"	10'6"	9'9"
16† Dump Clearance at Maximum Lift and 45° Discharge	mm	2903	2903	2959	2875	2875	2931	2904
	ft/in	9'6"	9'6"	9'8"	9'5"	9'5"	9'7"	9'6"
17† Reach at Maximum Lift and 45° Discharge	mm	1299	1299	1242	1327	1327	1271	1298
	ft/in	4'3"	4'3"	4'0"	4'4"	4'4"	4'2"	4'3"
Reach at Level Lift Arm and Bucket Level	mm	2851	2851	2771	2891	2891	2811	2849
	ft/in	9'4"	9'4"	9'1"	9'5"	9'5"	9'2"	9'4"
A† Digging Depth	mm	114	114	114	114	114	114	114
	in	4.5"	4.5"	4.5"	4.5"	4.5"	4.5"	4.5"
12† Overall Length	mm	9069	9069	8989	9109	9109	9029	9068
	ft/in	29'10"	29'10"	29'6"	29'11"	29'11"	29'8"	29'9"
B† Overall Height with Bucket at Maximum Lift	mm	5984	5992	5911	6025	6033	5941	5984
	ft/in	19'8"	19'8"	19'5"	19'10"	19'10"	19'6"	19'8"
Loader Clearance Circle Radius with Bucket at Carry Position	mm	7524	7524	7504	7534	7534	7514	7420
	ft/in	24'9"	24'9"	24'8"	24'9"	24'9"	24'8"	24'5"
Static Tipping Load, Straight (With tire deflection)	kg	18 112	18 215	18 362	18 033	18 140	18 280	18 222
	lb	39,919	40,147	40,470	39,744	39,981	40,289	40,162
Static Tipping Load, Straight (No tire deflection)	kg	19 346	19 465	19 598	19 272	19 396	19 522	19 454
	lb	42,638	42,901	43,194	42,477	42,750	43,028	42,877
Static Tipping Load, Articulated (With tire deflection)	kg	15 854	15 946	16 088	15 778	15 873	16 008	15 965
	lb	34,943	35,145	35,460	34,775	34,984	35,282	35,188
Static Tipping Load, Articulated (No tire deflection)	kg	17 102	17 209	17 338	17 031	17 142	17 264	17 211
	lb	37,694	37,928	38,213	37,538	37,782	38,051	37,934
Breakout Force (§)	kN	166	166	177	162	162	171	167
	lbf	37,507	37,495	39,850	36,416	36,405	38,633	37,650
Operating Weight*	kg	23 943	23 932	23 844	23 989	23 979	23 898	23 830
	lb	52,770	52,746	52,552	52,871	52,848	52,670	52,521

*Static tipping loads and operating weights shown are based on a machine configuration with Bridgestone 26.5R25 VJT L3 radial tires, full fluids, operator, aggregate counterweight, ride control, cold start, roading fenders, Product Link, manual diff lock/open axles (front and rear), power train guard, secondary steering and sound suppression. If a rock bucket is added, these values are with Bridgestone 26.5R25 VSDL L5 tires.

** Aggregate Handler configuration is not compatible with spade nose rock buckets and high lift.

† Illustration shown with Dimension charts.

(§) Measured 100 mm (4") behind tip of cutting edge with bucket hinge pin as pivot point in accordance with ISO 14397-2:2007.

(With tire deflection) Full compliance to ISO 14397-1:2007 Sections 1 thru 6, which requires 2% verification between calculations and testing.

(No tire deflection) Compliance to ISO 14397-1:2007 Sections 1 thru 5.

Other buckets are available and offerings vary by region. Consult your local Cat dealer for further details.

966 Wheel Loader Specifications

Operating Specifications – Buckets *(continued)*

Linkage		Aggregate Handler Linkage					
Bucket Type	Edge Type	Material Handling – Pin-On			Material Handling – Hook-On – VCE Large		
		Bolt-On Cutting Edges	Bolt-On Cutting Edges	Bolt-On Cutting Edges	Bolt-On Cutting Edges	Bolt-On Cutting Edges	Bolt-On Cutting Edges
Capacity – Rated	m ³	4.60	4.60	4.60	4.20	4.60	4.80
	yd ³	6.00	6.00	6.00	5.50	6.00	6.25
Capacity – Rated at 110% Fill Factor	m ³	5.10	5.10	5.10	4.60	5.10	5.30
	yd ³	6.75	6.75	6.75	6.00	6.75	7.00
Width	mm	3220	2995	2995	3220	3220	3230
	ft/in	10'6"	9'9"	9'9"	10'6"	10'6"	10'7"
16 † Dump Clearance at Maximum Lift and 45° Discharge	mm	2903	2855	2855	2803	2747	2676
	ft/in	9'6"	9'4"	9'4"	9'2"	9'0"	8'9"
17 † Reach at Maximum Lift and 45° Discharge	mm	1299	1347	1347	1407	1463	1530
	ft/in	4'3"	4'5"	4'5"	4'7"	4'9"	5'0"
Reach at Level Lift Arm and Bucket Level	mm	2851	2919	2919	2997	3077	3175
	ft/in	9'4"	9'6"	9'6"	9'10"	10'1"	10'5"
A † Digging Depth	mm	114	114	114	108	108	111
	in	4.5"	4.5"	4.5"	4.2"	4.2"	4.3"
12 † Overall Length	mm	9069	9138	9138	9211	9291	9391
	ft/in	29'10"	30'0"	30'0"	30'3"	30'6"	30'10"
B † Overall Height with Bucket at Maximum Lift	mm	5984	6057	6057	6057	6139	6225
	ft/in	19'8"	19'11"	19'11"	19'11"	20'2"	20'6"
Loader Clearance Circle Radius with Bucket at Carry Position	mm	7524	7438	7438	7563	7586	7606
	ft/in	24'9"	24'5"	24'5"	24'10"	24'11"	25'0"
Static Tipping Load, Straight (With tire deflection)	kg	17 576	18 100	17 602	16 673	16 519	16 303
	lb	38,739	39,894	38,796	36,748	36,408	35,932
Static Tipping Load, Straight (No tire deflection)	kg	18 801	19 350	18 842	17 840	17 696	17 507
	lb	41,439	42,648	41,529	39,319	39,002	38,587
Static Tipping Load, Articulated (With tire deflection)	kg	15 319	15 845	15 346	14 520	14 371	14 155
	lb	33,764	34,922	33,824	32,003	31,674	31,199
Static Tipping Load, Articulated (No tire deflection)	kg	16 558	17 108	16 600	15 704	15 564	15 377
	lb	36,494	37,706	36,587	34,612	34,305	33,891
Breakout Force (§)	kN	164	159	157	149	141	131
	lbf	37,055	35,756	35,358	33,513	31,732	29,533
Operating Weight*	kg	24 413	23 920	24 352	24 520	24 613	24 786
	lb	53,806	52,719	53,671	54,042	54,247	54,628

*Static tipping loads and operating weights shown are based on a machine configuration with Bridgestone 26.5R25 VJT L3 radial tires, full fluids, operator, aggregate counterweight, ride control, cold start, roading fenders, Product Link, manual diff lock/open axles (front and rear), power train guard, secondary steering and sound suppression. If a rock bucket is added, these values are with Bridgestone 26.5R25 VSDL L5 tires.

** Aggregate Handler configuration is not compatible with spade nose rock buckets and high lift.

† Illustration shown with Dimension charts.

(§) Measured 100 mm (4") behind tip of cutting edge with bucket hinge pin as pivot point in accordance with ISO 14397-2:2007.

(With tire deflection) Full compliance to ISO 14397-1:2007 Sections 1 thru 6, which requires 2% verification between calculations and testing.

(No tire deflection) Compliance to ISO 14397-1:2007 Sections 1 thru 5.

Other buckets are available and offerings vary by region. Consult your local Cat dealer for further details.

966 Wheel Loader Specifications

Fork Specifications

Fork Specifications

1	Tine Length	mm	1524
		in	60.0
2	Load Center	mm	762
		in	30.0
	Static Tipping Load - Straight (Forks Level)	kq	12382
		lbs	27289
	Static Tipping Load - Articulated (Forks Level)	kq	10976
		lbs	24192
	Rated Load (SAE J1197 - 50% FTSTL)	kq	5488
		lbs	12096
	Rated Load (CEN EN 474-3 Rough Terrain - 60% FTSTL)	kq	6586
		lbs	14515
	Rated Load (CEN EN 474-3 Firm and Level Ground - 80% FTSTL)	kq	8656
		lbs	19078
3	Maximum Overall Length	mm	9359
		in	368.5
4	Reach with Forks at Ground Level	mm	1126
		in	44.3
5	*Ground to Bottom of Tine at Minimum Height and Fork Level	mm	-166
		in	-6.5
6	Reach with Arms Horizontal and Forks Level	mm	1694
		in	66.7
7	Reach with Fork at Maximum Height	mm	826
		in	32.5
8	Ground to Top of Tine with Arms Horizontal and Fork Level	mm	1866
		in	73.4
9	Ground to Top of Tine at Maximum Height and Fork Level	mm	3949
		in	155.5
10	Overall Height of Fork at Full Lift (top of carriage to ground)	mm	4724
		in	186.0
11	Clearance at Full Lift and Max Dump	mm	2652
		in	104.4
12	Max Discharge Angle from Horizontal	deg	43
13	Overall Carriage Width	mm	2217
		in	87.3
14	Overall Carriage Height	mm	840
		in	33.1
15	Outside Tine Width (max spread)	mm	2070
		in	81.5
16	Outside Tine Width (min spread)	mm	470
		in	18.5
	Tine Width (single tine)	mm	150.0
		in	5.9
	Tine Thickness	mm	65.0
		in	2.6
	Tine Capacity	kq	6300
		lbs	13885
	Operating Weight	kq	22225
		lbs	48983

*Negative values indicate below grade

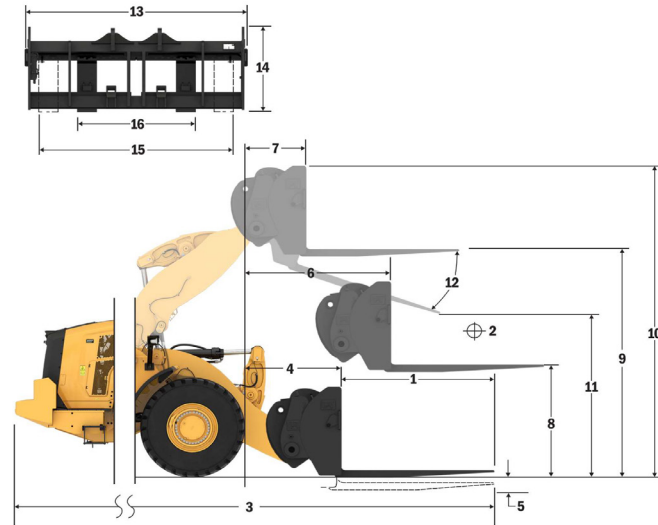
966 STD Pallet Fork, FUSION

87" Carriage

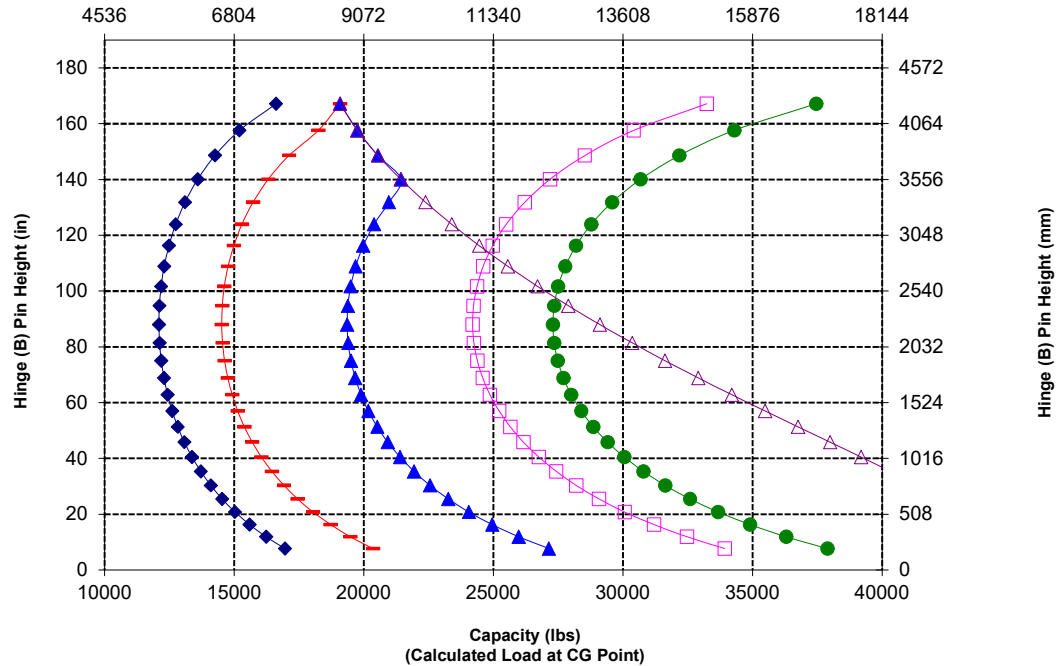
60" Tine

530-1861

548-3265



Capacity (kg) (Calculated Load at CG Point)



WARNING: Do not exceed tine load capacity. Individual tine capacity is stamped on the side of each tine.

966 Wheel Loader Specifications

Fork Specifications

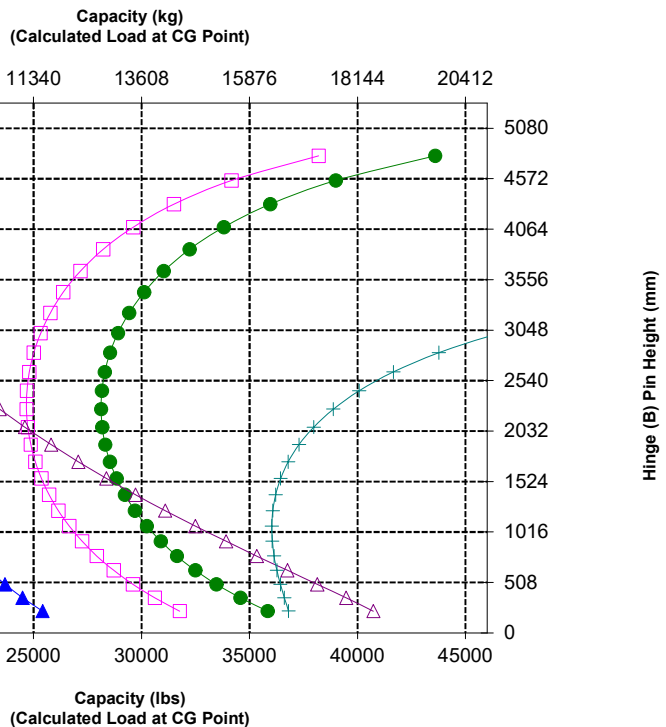
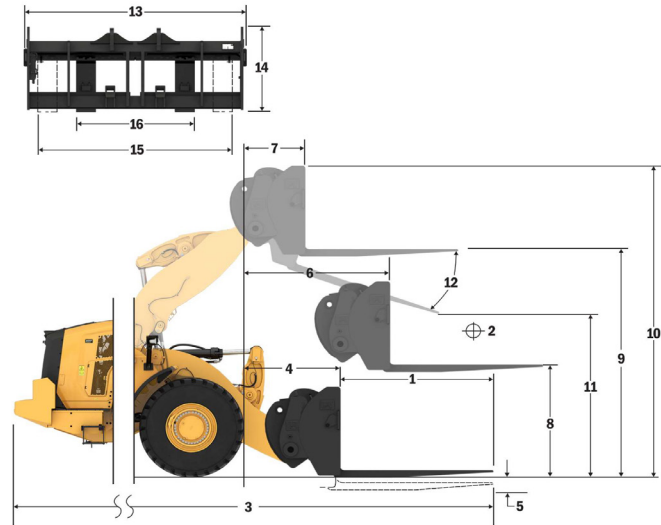
Fork Specifications

1	Tine Length	mm	1524
		in	60.0
2	Load Center	mm	762
		in	30.0
	Static Tipping Load - Straight (Forks Level)	kq	12757
		lbs	28117
	Static Tipping Load - Articulated (Forks Level)	kq	11191
		lbs	24665
	Rated Load (SAE J1197 - 50% FTSTL)	kq	5596
		lbs	12333
	Rated Load (CEN EN 474-3 Rough Terrain - 60% FTSTL)	kq	5754
		lbs	12682
	Rated Load (CEN EN 474-3 Firm and Level Ground - 80% FTSTL)	kq	5754
		lbs	12682
3	Maximum Overall Length	mm	10012
		in	394.2
4	Reach with Forks at Ground Level	mm	1612
		in	63.5
5	*Ground to Bottom of Tine at Minimum Height and Fork Level	mm	-141
		in	-5.6
6	Reach with Arms Horizontal and Forks Level	mm	2098
		in	82.6
7	Reach with Fork at Maximum Height	mm	802
		in	31.6
8	Ground to Top of Tine with Arms Horizontal and Fork Level	mm	1866
		in	73.4
9	Ground to Top of Tine at Maximum Height and Fork Level	mm	4507
		in	177.4
10	Overall Height of Fork at Full Lift (top of carriage to ground)	mm	5292
		in	208.0
11	Clearance at Full Lift and Max Dump	mm	3189
		in	125.6
12	Max Discharge Angle from Horizontal	deg	44
13	Overall Carriage Width	mm	2217
		in	87.3
14	Overall Carriage Height	mm	840
		in	33.1
15	Outside Tine Width (max spread)	mm	2070
		in	81.5
16	Outside Tine Width (min spread)	mm	470
		in	18.5
	Tine Width (single tine)	mm	150.0
		in	5.9
	Tine Thickness	mm	65.0
		in	2.6
	Tine Capacity	kq	6300
		lbs	13885
	Operating Weight	kq	23877
		lbs	52625

*Negative values indicate below grade

966 HL Pallet Fork, FUSION

87" Carriage 60" Tine
530-1861 548-3265



WARNING: Do not exceed tine load capacity. Individual tine capacity is stamped on the side of each tine.

966 Wheel Loader Specifications

Fork Specifications

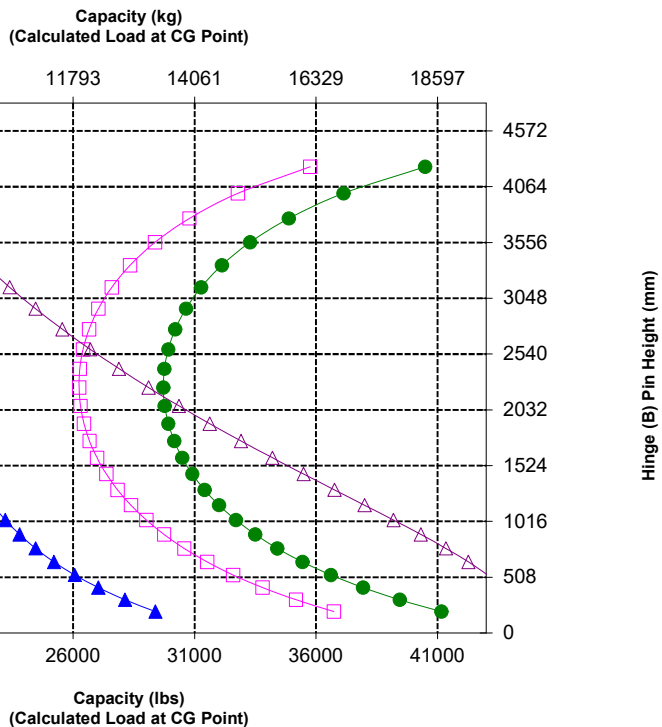
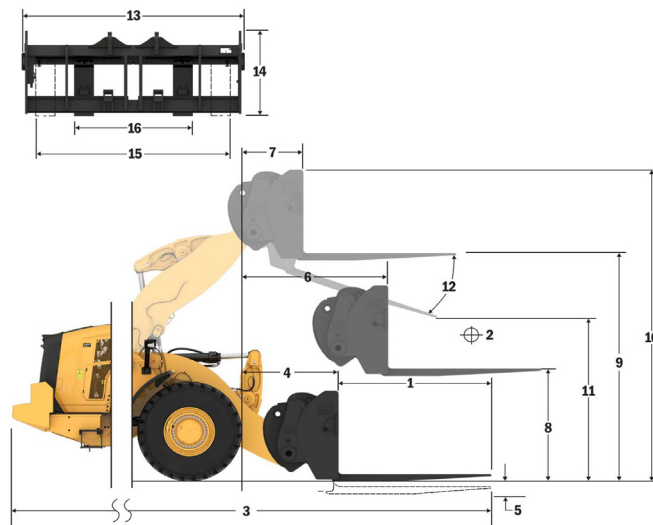
Fork Specifications

1	Tine Length	mm	1524
		in	60.0
2	Load Center	mm	762
		in	30.0
	Static Tipping Load - Straight (Forks Level)	kq	13477
		lbs	29703
	Static Tipping Load - Articulated (Forks Level)	kq	11905
		lbs	26238
	Rated Load (SAE J1197 - 50% FTSTL)	kq	5952
		lbs	13119
	Rated Load (CEN EN 474-3 Rough Terrain - 60% FTSTL)	kq	7143
		lbs	15743
	Rated Load (CEN EN 474-3 Firm and Level Ground - 80% FTSTL)	kq	8656
		lbs	19078
3	Maximum Overall Length	mm	9526
		in	375.0
4	Reach with Forks at Ground Level	mm	1126
		in	44.3
5	*Ground to Bottom of Tine at Minimum Height and Fork Level	mm	-166
		in	-6.5
6	Reach with Arms Horizontal and Forks Level	mm	1694
		in	66.7
7	Reach with Fork at Maximum Height	mm	826
		in	32.5
8	Ground to Top of Tine with Arms Horizontal and Fork Level	mm	1866
		in	73.4
9	Ground to Top of Tine at Maximum Height and Fork Level	mm	3949
		in	155.5
10	Overall Height of Fork at Full Lift (top of carriage to ground)	mm	4724
		in	186.0
11	Clearance at Full Lift and Max Dump	mm	2652
		in	104.4
12	Max Discharge Angle from Horizontal	deg	43
13	Overall Carriage Width	mm	2217
		in	87.3
14	Overall Carriage Height	mm	840
		in	33.1
15	Outside Tine Width (max spread)	mm	2070
		in	81.5
16	Outside Tine Width (min spread)	mm	470
		in	18.5
	Tine Width (single tine)	mm	150.0
		in	5.9
	Tine Thickness	mm	65.0
		in	2.6
	Tine Capacity	kq	6300
		lbs	13885
	Operating Weight	kq	22876
		lbs	50418

*Negative values indicate below grade

966 AGG Pallet Fork, FUSION

87" Carriage 60" Tine
530-1861 548-3265



NOTE: Static tipping loads and operating weight are based on the following loader configuration: Bridgestone VJT L3 Tires, Air Conditioning, Ride Control, Powertrain Guard, Full Fluids, Fuel Tank, Coolant, Lubricants, and Operator.

Specifications and ratings conform to the following standards: SAE* J1197, ISO 14397-1, CEN** EN 474-3.

The rated operating load for a loader equipped with a pallet fork is determined by:
SAE J1197: 50% of full turn static tipping load or hydraulic limit.
CEN EN 474-3: 60% of full turn static tipping load on rough terrain or hydraulic limit.
CEN EN 474-3: 80% of full turn static tipping load on firm and level ground or hydraulic limit.

*SAE - Society of Automotive Engineers
**CEN - European Committee for Standardization



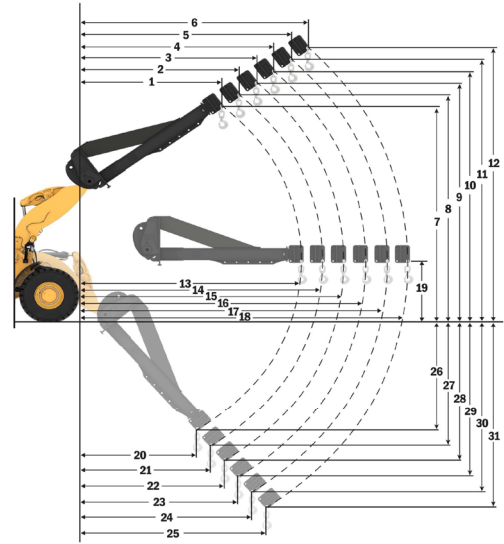
WARNING: Do not exceed tine load capacity. Individual tine capacity is stamped on the side of each tine.

966 Wheel Loader Specifications

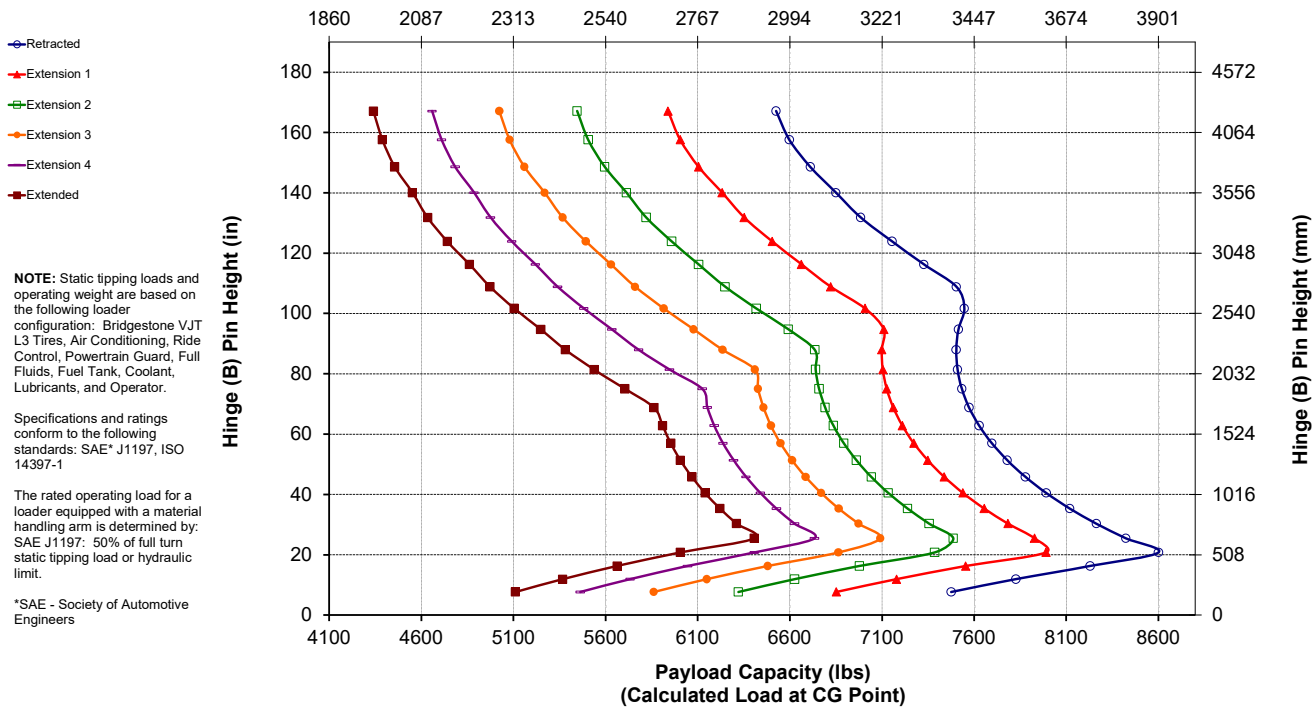
Material Handling Arm Specifications

966 STD Fusion Material Handling Arm 6Pos

MHA Specifications		Retracted	Extension 1	Extension 2	Extension 3	Extension 4	Extended
Max Lift - Hook Reach (1, 2, 3, 4, 5, 6)	mm	1,823	1,936	2,049	2,162	2,275	2,388
	ft, in	5' 11"	6' 4"	6' 8"	7' 1"	7' 5"	7' 10"
Max Lift - Hook Height (7, 8, 9, 10, 11, 12)	mm	7,218	7,501	7,784	8,067	8,350	8,633
	ft, in	23' 8"	24' 7"	25' 6"	26' 5"	27' 4"	28' 3"
Level - Hook Reach (13, 14, 15, 16, 17, 18)	mm	4,553	4,858	5,162	5,467	5,772	6,077
	ft, in	14' 11"	15' 11"	16' 11"	17' 11"	18' 11"	19' 11"
Level - Hook Height (19)	mm	1,937	1,937	1,937	1,937	1,937	1,937
	ft, in	6' 4.2"	6' 4.2"	6' 4.2"	6' 4.2"	6' 4.2"	6' 4.2"
Min Lift - Hook Reach (20, 21, 22, 23, 24, 25)	mm	1,720	1,852	1,983	2,114	2,245	2,377
	ft, in	5' 7"	6' 0"	6' 6"	6' 11"	7' 4"	7' 9"
Min Lift - Hook Height (26, 27, 28, 29, 30, 31)	mm	(2,871)	(3,146)	(3,421)	(3,696)	(3,971)	(4,246)
	ft, in	-9' 6"	-10' 8"	-11' 9"	-12' 10"	-13' 11"	-13' 0"
Static Tipping Load, Straight	kg	7,689	7,275	6,902	6,564	6,258	5,977
	lb	16,947	16,033	15,211	14,468	13,792	13,174
Static Tipping Load, Articulated	kg	6,830	6,461	6,129	5,829	5,556	5,306
	lb	15,053	14,240	13,509	12,847	12,245	11,695
Operating Weight	kg	21,986	21,986	21,986	21,986	21,986	21,986
	lb	48,456	48,456	48,456	48,456	48,456	48,456



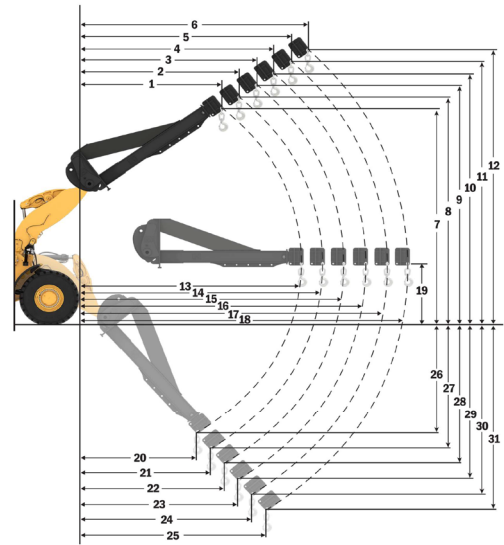
**Payload Capacity (kg)
(Calculated Load at CG Point)**



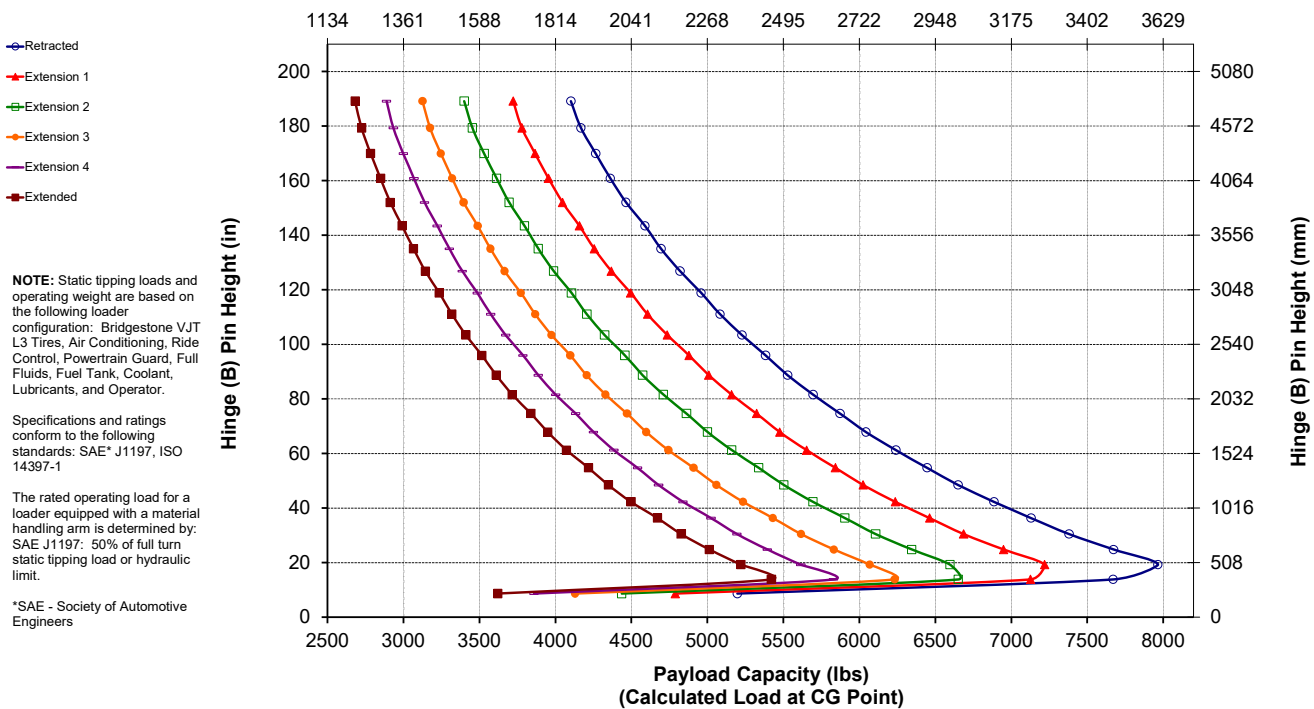
Material Handling Arm Specifications

966 HL Fusion Material Handling Arm 6Pos

MHA Specifications		Retracted	Extension 1	Extension 2	Extension 3	Extension 4	Extended
Max Lift - Hook Reach (1, 2, 3, 4, 5, 6)	mm	1,273	1,336	1,399	1,462	1,525	1,589
	ft, in	4' 2"	4' 4"	4' 7"	4' 9"	5' 0"	5' 2"
Max Lift - Hook Height (7, 8, 9, 10, 11, 12)	mm	7,975	8,273	8,572	8,870	9,168	9,466
	ft, in	26' 1"	27' 1"	28' 1"	29' 1"	30' 0"	31' 0"
Level - Hook Reach (13, 14, 15, 16, 17, 18)	mm	4,957	5,262	5,567	5,871	6,176	6,481
	ft, in	16' 3"	17' 3"	18' 3"	19' 3"	20' 3"	21' 3"
Level - Hook Height (19)	mm	1,937	1,937	1,937	1,937	1,937	1,937
	ft, in	6' 4.2"	6' 4.2"	6' 4.2"	6' 4.2"	6' 4.2"	6' 4.2"
Min Lift - Hook Reach (20, 21, 22, 23, 24, 25)	mm	(413)	(529)	(645)	(761)	(877)	(993)
	ft, in	-1' 7"	-1' 3"	-2' 10"	-2' 6"	-2' 1"	-3' 8"
Min Lift - Hook Height (26, 27, 28, 29, 30, 31)	mm	(2,737)	(3,019)	(3,301)	(3,583)	(3,864)	(4,146)
	ft, in	-8' 0"	-9' 1"	-10' 2"	-11' 2"	-12' 3"	-13' 4"
Static Tipping Load, Straight	kg	8,280	7,864	7,487	7,143	6,829	6,541
	lb	18,249	17,332	16,500	15,744	15,051	14,416
Static Tipping Load, Articulated	kg	7,283	6,917	6,584	6,282	6,005	5,751
	lb	16,053	15,244	14,512	13,845	13,235	12,675
Operating Weight	kg	23,638	23,638	23,638	23,638	23,638	23,638
	lb	52,098	52,098	52,098	52,098	52,098	52,098



Payload Capacity (kg)
(Calculated Load at CG Point)

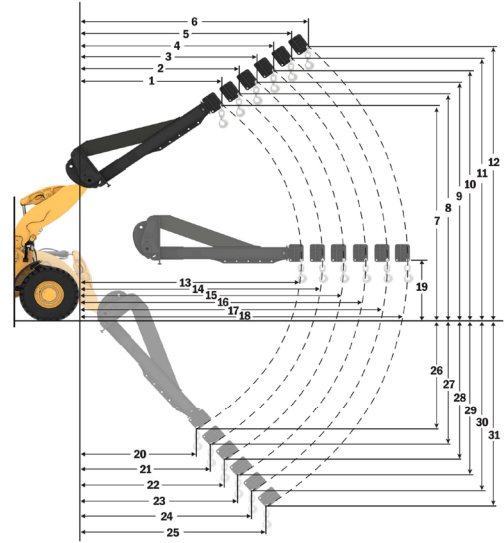


966 Wheel Loader Specifications

Material Handling Arm Specifications

966 AGG Fusion Material Handling Arm 6Pos

MHA Specifications		Retracted	Extension 1	Extension 2	Extension 3	Extension 4	Extended
Max Lift - Hook Reach (1, 2, 3, 4, 5, 6)	mm	1,823	1,936	2,049	2,162	2,275	2,388
	ft. in	5' 11"	6' 4"	6' 8"	7' 1"	7' 5"	7' 10"
Max Lift - Hook Height (7, 8, 9, 10, 11, 12)	mm	7,218	7,501	7,784	8,067	8,350	8,633
	ft. in	23' 8"	24' 7"	25' 6"	26' 5"	27' 4"	28' 3"
Level - Hook Reach (13, 14, 15, 16, 17, 18)	mm	4,553	4,858	5,162	5,467	5,772	6,077
	ft. in	14' 11"	15' 11"	16' 11"	17' 11"	18' 11"	19' 11"
Level - Hook Height (19)	mm	1,937	1,937	1,937	1,937	1,937	1,937
	ft. in	6' 4.2"	6' 4.2"	6' 4.2"	6' 4.2"	6' 4.2"	6' 4.2"
Min Lift - Hook Reach (20, 21, 22, 23, 24, 25)	mm	1,720	1,852	1,983	2,114	2,245	2,377
	ft. in	5' 7"	6' 0"	6' 6"	6' 11"	7' 4"	7' 9"
Min Lift - Hook Height (26, 27, 28, 29, 30, 31)	mm	(2,871)	(3,146)	(3,421)	(3,696)	(3,971)	(4,246)
	ft. in	-9' 6"	-10' 8"	-11' 9"	-12' 10"	-13' 11"	-13' 0"
Static Tipping Load, Straight	kg	8,375	7,925	7,519	7,153	6,819	6,515
	lb	18,459	17,466	16,573	15,764	15,029	14,358
Static Tipping Load, Articulated	kg	7,415	7,016	6,656	6,331	6,035	5,765
	lb	16,343	15,463	14,670	13,953	13,301	12,706
Operating Weight	kg	22,637	22,637	22,637	22,637	22,637	22,637
	lb	49,891	49,891	49,891	49,891	49,891	49,891



**Payload Capacity (kg)
(Calculated Load at CG Point)**

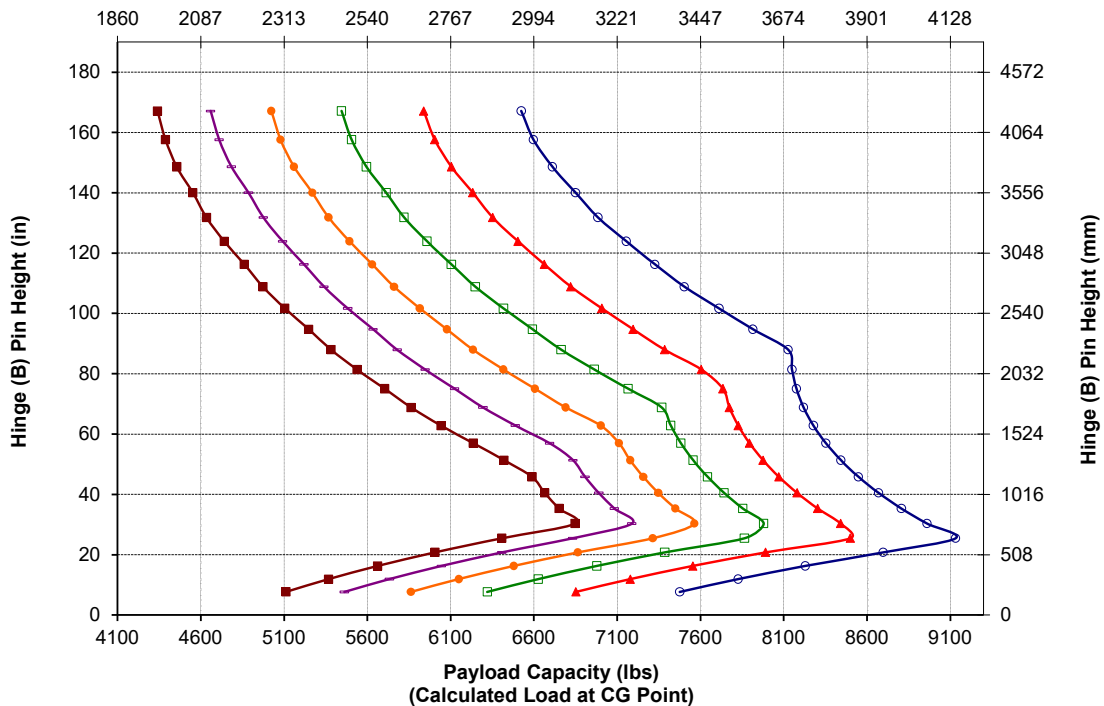
- Retracted
- Extension 1
- Extension 2
- Extension 3
- Extension 4
- Extended

NOTE: Static tipping loads and operating weight are based on the following loader configuration: Bridgestone VJT L3 Tires, Air Conditioning, Ride Control, Powertrain Guard, Full Fluids, Fuel Tank, Coolant, Lubricants, and Operator.

Specifications and ratings conform to the following standards: SAE* J1197, ISO 14397-1

The rated operating load for a loader equipped with a material handling arm is determined by: SAE J1197: 50% of full turn static tipping load or hydraulic limit.

*SAE - Society of Automotive Engineers



966 Wheel Loader Specifications

Standard and Optional Equipment

Standard and optional equipment may vary. Consult your Cat dealer for details.

	Standard	Optional		Standard	Optional
OPERATOR ENVIRONMENT			HYDRAULICS		
Cab, pressurized, sound suppression	✓		Implement system, load sensing with variable displacement piston pump	✓	
Door, remote opening system		✓	Steering system, load sensing with dedicated variable displacement piston pump	✓	
EH implement controls, parking brake	✓		Ride control, dual accumulators	✓	
HMU steering wheel		✓	3 rd and 4 th auxiliary functions with ride control		✓
Steering, joystick	✓		Oil sampling valves, Cat XT™ hoses	✓	
Entertainment radio (FM, AM, USB, BT)		✓	Quick coupler control		✓
Entertainment radio (DAB+)		✓	POWER TRAIN		
CB radio ready		✓	Cat C9.3B engine	✓	
Seat, cloth, air suspension	✓		Electric fuel priming pump	✓	
Seat, suede/cloth, air suspension, heated		✓	Fuel-water separator and secondary fuel filter	✓	
Seat, leather/cloth, air suspension, heated/cooled		✓	Engine, air precleaner	✓	
Touchscreen display	✓		Turbine, air precleaner		✓
Visibility: mirrors, rearview camera	✓		Radiator, high debris		✓
Multiview (360°) vision system		✓	Cooling fan, reversible		✓
Cat Detect rear radar system		✓	Axles, front differential lock	✓	
Dedicated rearview screen		✓	Axles, auto differential locks front and rear		✓
Mirrors, heated		✓	Axles, ecology drains, AOC ready, extreme temperature seals		✓
Air conditioner, heater, defroster (auto temp, fan)	✓		Axles, oil cooler		✓
Sun visor, front, retractable	✓		Transmission, planetary, automatic power-shift	✓	
Sun visor, rear, retractable	✓		Torque converter with lock-up	✓	
Window cleaning platform, front	✓		Service brakes, hydraulic, fully enclosed wet disc, wear indicators	✓	
Windows, front, laminated	✓		Integrated Braking System (IBS)	✓	
Windows, front, heavy duty		✓	Park brake, caliper on front axles, spring applied-pressure released	✓	
Full cab window guard		✓	ELECTRICAL		
ON-BOARD TECHNOLOGIES			Starting and charging system, 24V	✓	
Cat Payload scale	✓		Starter, electric, heavy duty	✓	
Autodig with Auto Set Tires	✓		Cold start, 120V or 240V		✓
Operator ID & machine security	✓		Lights: halogen, 4 work lights, 2 front roading lights with turn signals, 2 rearview lights	✓	
Application Profiles	✓		Lights: LED		✓
Job Aids	✓		Warning beacon		✓
Controls Help and eOMM*	✓				
Cat Advanced Payload		✓			
Cat Payload Printer		✓			

* Not available in all languages

** Standard where mandated

*** Not Compatible with roading arrangements

**** Japan only

(continued on next page)

966 Wheel Loader Specifications

Standard and Optional Equipment *(continued)*

Standard and optional equipment may vary. Consult your Cat dealer for details.

	Standard	Optional		Standard	Optional
MONITORING SYSTEM			SPECIAL CONFIGURATIONS		
Front dash with analog gauges, LCD display, and warning lights	✓		Aggregate handler		✓
Primary touchscreen monitor (Cat Payload, quad screens, machine settings & messages)	✓		Waste and industrial		✓
Reversing strobe lights***		✓	Forestry		✓
LINKAGE			Tunneling****		✓
Standard lift, Z-bar	✓		Corrosion resistant		✓
High lift, Z-bar		✓			
Kickouts: lift and tilt	✓				
ADDITIONAL EQUIPMENT					
Cat Autolube system		✓			
Fenders, extensions or roading		✓			
Guards: power train, crankcase, cab, cylinders, rear		✓			
Biodegradable hydraulic oil		✓			
High-speed oil change system		✓			
Rear cab access		✓			
Toolbox		✓			
Wheel chocks		✓			
Secondary steering system, electrical**		✓			

* Not available in all languages

** Standard where mandated

*** Not Compatible with roading arrangements

**** Japan only

The following information applies to the machine at the time of final manufacture as configured for sale in the regions covered in this document. The content of this declaration is valid as of the date issued; however, content related to machine features and specifications are subject to change without notice. For additional information, please see the machine's Operation and Maintenance Manual.

For more information on sustainability in action and our progress, please visit <https://www.caterpillar.com/en/company/sustainability.html>.

Engine

- The Cat® C9.3B engine meets U.S. EPA Tier 4 Final, EU Stage V, Korea Stage V, China Nonroad Stage IV and Japan 2014 emission standards.
- Cat diesel engines are required to use ULSD (ultra-low sulfur diesel fuel with 15 ppm of sulfur or less) or ULSD blended with the following lower-carbon intensity fuels up to:
 - ✓ 20% biodiesel FAME (fatty acid methyl ester)*
 - ✓ 100% renewable diesel, HVO (hydrotreated vegetable oil) and GTL (gas-to-liquid) fuels
 Refer to guidelines for successful application. Please consult your Cat dealer or "Caterpillar Machine Fluids Recommendations" (SEBU6250) for details.

**Engines with no aftertreatment devices can use higher blends, up to 100% biodiesel.*

Air Conditioning System

The air conditioning system on this machine contains the fluorinated greenhouse gas refrigerant R134a (Global Warming Potential = 1430). The system contains 1.6 kg (3.5 lb) of refrigerant, which has a CO₂ equivalent of 2.288 metric tonnes (2.522 tons).

Paint

- Based on best available knowledge, the maximum allowable concentration, measured in parts per million (PPM), of the following heavy metals in paint are:
 - Barium < 0.01%
 - Cadmium < 0.01%
 - Chromium < 0.01%
 - Lead < 0.01%

Sound Performance

Operator Sound Pressure Level (ISO 6396:2008)	70 dB(A)
Exterior Sound Power Level (ISO 6395:2008)	109 dB(A)
Operator Sound Pressure Level (ISO 6396:2008)*	69 dB(A)
Exterior Sound Power Level (ISO 6395:2008)**	108 dB(A)

*Including countries that adopt the EU and UK Directives

**EU Noise Directive 2000/14/EC and UK Noise Regulation 2001 No. 1701

Oils and Fluids

- Caterpillar factory fills with ethylene glycol coolants. Cat Diesel Engine Antifreeze/Coolant (DEAC) and Cat Extended Life Coolant (ELC) can be recycled. Consult your Cat dealer for more information.
- Cat Bio HYDO™ Advanced is an EU Ecolabel approved biodegradable hydraulic oil.
- Additional fluids are likely to be present, please consult the Operations and Maintenance Manual or the Application and Installation guide for complete fluid recommendations and maintenance intervals.

Features and Technology

- The following features and technology may contribute to fuel savings and/or carbon reduction. Features may vary. Consult your Cat dealer for details.
 - Autodig with Auto Set Tires provides consistent high bucket fill factors for up to 10% more productivity
 - Powershift transmission with lock-up clutch increases fuel efficiency while delivering optimal performance
 - Automatic engine idle shutdown system reduces idle hours
 - Extended maintenance intervals reduce fluid and filter consumption
 - Remote Flash and Remote Troubleshoot

Recycling

- The materials included in machines are categorized as below with approximate weight percentage. Because of variations of product configurations, the following values in the table may vary.

Material Type	Weight Percentage
Steel	68.70%
Iron	14.10%
Nonferrous Metal	2.40%
Mixed Metal	0.27%
Mixed-Metal and Nonmetal	0.38%
Plastic	1.13%
Rubber	7.62%
Mixed Nonmetallic	0.02%
Fluid	1.81%
Other	3.00%
Uncategorized	0.57%
Total	100%

- A machine with higher recyclability rate will ensure more efficient usage of valuable natural resources and enhance End-of-Life value of the product. According to ISO 16714 (Earthmoving machinery – Recyclability and recoverability – Terminology and calculation method), recyclability rate is defined as percentage by mass (mass fraction in percent) of the new machine potentially able to be recycled, reused, or both.

All parts in the bill of material are first evaluated by component type based on a list of components defined by the ISO 16714 and Japan CEMA (Construction Equipment Manufacturers Association) standards. Remaining parts are further evaluated for recyclability based on material type.

Because of variations of product configurations, the following value in the table may vary.

Recyclability – 98%



966

Waste & Scrap Handler

The Cat 966 Wheel Loader Waste and Scrap Handler package features guarding and reinforcement necessary for work in transfer stations, recycling depots, scrap yards, and demolition sites.

Proven Reliability

- Cat C9.3B engine offers high power density with a combination of proven electronics, fuel, and air systems.
- Equipped with automatic Cat regeneration system, Cat Clean Emissions Module (CEM) with Diesel Particulate Filter (DPF), and Diesel Exhaust Fluid (DEF) tank and pump.
- Features an electric fuel priming pump, fuel-water separator, and secondary fuel filter.
- Thorough component design and machine validation processes result in unmatched reliability and uptime.

Durability

- Waste and scrap handler package adds additional steel guards all around the machine to protect your investment and keep debris out of the implement valve and engine compartments.
- Heavy-duty steel cable lower steps stand up to the harshest of conditions.
- Heavy-duty transmission and axles designed to handle waste and scrap applications.
- Automatic planetary powershift (4F/4R) transmission features durable, long-lasting components.

Superior Fuel Efficiency & Productivity

- Optional high lift linkage provides additional dump clearance.
- Optional 3rd and 4th valve hydraulics for work tools that require additional functions.
- Optional variable pitch fan and high debris cooling cores keep the cores free from debris.
- Powershift transmission with lock-up clutch increases fuel efficiency while delivering optimal performance.
- Single clutch and lock-to-lock shifting for faster acceleration and speed on grades.
- Automatic idle engine shutdown system significantly reduces idle time, overall operating hours, and fuel consumption.
- Deeply integrated engine, power train, and hydraulic systems deliver unmatched productivity and fuel efficiency.

Safety Features

- Rearview camera enhances visibility behind the machine, helping you work safely and confidently.
- Optional Multiview (360°) vision system helps the operator monitor the surroundings of the machine at all times.
- Optional Cat Detect radar technology enhances awareness by monitoring the working environment and alerts operators to hazards.
- Cab access with wide door, optional remote door opening, and stair-like steps add solid stability.
- Floor-to-ceiling windshield, large mirrors with integrated spot mirrors, and rearview camera provide industry leading all-around visibility.

Reduced Maintenance Time and Costs

- Extended fluid and filter change intervals reduce maintenance costs by up to 20%.
- Optional turbine engine air precleaner improves air filter life.
- Remote Troubleshoot can connect the machine to the dealer service department to help diagnose problems quickly so you can get back to work.
- Remote Flash works around your schedule to ensure your machine's software is up to date for optimal performance.
- The Cat App helps you manage fleet location, hours, and maintenance schedules; it also alerts you for required maintenance and allows you to request service from your local Cat dealer.
- One-piece tilting hood makes engine compartment access fast and easy.

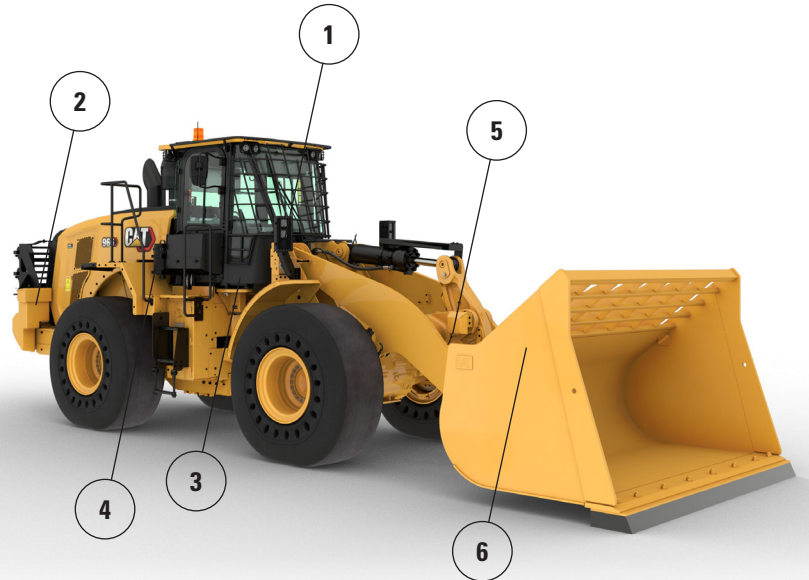
Work in Comfort in the All New Cab

- Carbon cab air filter reduces cabin odors.
- Optional powered cabin precleaner filters the incoming air and pressurize the cab.
- Next-generation, easily adjustable seat and suspension for improved operator comfort. It comes in three trim levels and can be equipped with a 4-point harness.
- New in-cab dashboard and high-resolution touch display(s) are easy to use, intuitive, and user friendly.
- Sound suppression, seals, and viscous cab mounts decrease noise and vibration for a quieter work environment.
- The seat-mounted electro-hydraulic joystick steering system provides precision control and dramatically reduces arm fatigue, resulting in excellent comfort and accuracy. An HMU steering wheel is also available.

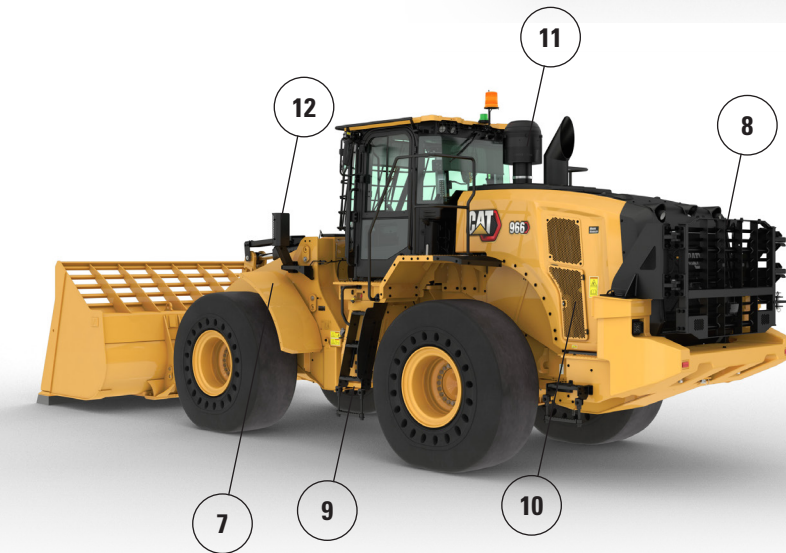
966 Waste & Scrap Handler Specifications

966 Waste and Scrap Handler Features

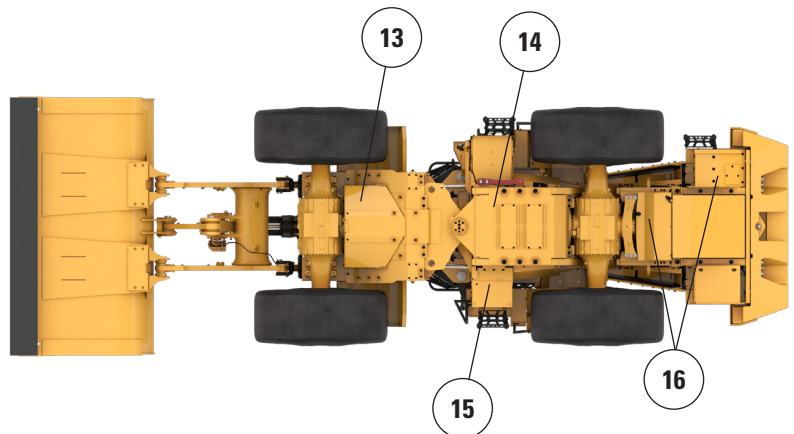
1. Optional window guarding to provide impact resistance to the glass
2. Added steel guards include crankcase, power train, front frame, hitch, steering cylinder, service center, cab, platform, implement valve cover, and tilt cylinder
3. Carbon cab air filter removes harsh odors
4. Optional powered cab precleaner helps to improve cab filter life and keeps the cab pressurized
5. Optional 3rd and 4th valve hydraulics available to control a large variety of work tools
6. Large line of Cat waste and scrap work tools



7. Narrow front steel fenders help to keep the windshield clean and are set inboard of the outer edge of the tire for added protection
8. Optional rear guard protects the rear grill and cooling package from impact
9. Heavy-duty steel cable lower steps stand up to the harshest conditions
10. Optional variable pitch fan and high debris cooling cores help to keep the cooling package clean
11. Optional turbine engine air precleaner with a trash screen option help to extend engine air filter life
12. Front lights are guarded and positioned close to the frame for added protection



13. Lower front frame guard protects vital drivetrain components and keeps trash from getting in the front frame compartment
14. Power train guard protects the transmission and helps keep trash out of the engine compartment
15. Lower hydraulic service center guard protects the transmission filter and keep trash out of the service center
16. Rear crankcase and platform guards keeps trash and debris out



966 Waste & Scrap Handler Specifications

Tire Options

Tire Brand	BRAWLER HPS SMOOTH	BRAWLER HPS TRACTION	BRIDGESTONE	MICHELIN	MAXAM
Tire Size	26.5R25	26.5R25	26.5R25	26.5R25	26.5R25
Tread Type	N/A	N/A	L3	L3	L3
Tread Pattern	SMOOTH	TRACTION	VJT	XHA2	MS302
Casing Strength	N/A	N/A	*	**	**
Width over Tires – Maximum (empty)*	2959 mm 9'9"	2959 mm 9'9"	2978 mm 9'10"	2986 mm 9'10"	2972 mm 9'9"
Width over Tires – Maximum (loaded)*	2968 mm 9'9"	2968 mm 9'9"	3012 mm 9'11"	3016 mm 9'11"	2947 mm 9'9"
Change in Vertical Dimensions (average of front and rear)		-3 mm -0.1"	-37 mm -1.5"	-48 mm -1.9"	-23 mm -0.9"
Change in Horizontal Reach		0 mm 0"	-11 mm -0.4"	-8 mm -0.3"	-18 mm -0.7"
Change in Clearance Circle to Outside of Tires		0 mm 0"	44 mm 1.7"	48 mm 1.9"	-21 mm -0.8"
Change in Clearance Circle to Inside of Tires		0 mm 0"	-44 mm -1.7"	-48 mm -1.9"	21 mm 0.8"
Change in Operating Weight (without Ballast)		-224 kg -494 lb	-4300 kg -9,482 lb	-4464 kg -9,843 lb	-4316 kg -9,517 lb
Change in Static Tipping Load – Straight		-162 kg -358 lb	-3118 kg -6,874 lb	-3236 kg -7,136 lb	-3129 kg -6,900 lb
Change in Static Tipping Load – Articulated		-144 kg -319 lb	-2774 kg -6,116 lb	-2879 kg -6,349 lb	-2784 kg -6,138 lb
Rear Axle Oscillation Angle	±8 degrees	±8 degrees	±13 degrees	±13 degrees	±13 degrees
Maximum Single-wheel Rise and Fall	310 mm 1'1"	310 mm 1'1"	502 mm 1'8"	502 mm 1'8"	502 mm 1'8"

*Width over tire bulge and includes tire growth.

966 Waste & Scrap Handler Specifications

Operating Specifications – Buckets

Linkage		Standard Linkage			
Bucket Type		General Purpose – Hook-On – Fusion			
Edge Type		Bolt-On Cutting Edges	Teeth and Segments	Tips	
Capacity – Rated	m ³	4.20	4.20	4.00	
	yd ³	5.50	5.50	5.25	
Capacity – Rated at 110% Fill Factor	m ³	4.60	4.60	4.40	
	yd ³	6.00	6.00	5.75	
Width	mm	3220	3271	3271	
	ft/in	10'6"	10'8"	10'8"	
16† Dump Clearance at Maximum Lift and 45° Discharge	mm	2998	2844	2844	
	ft/in	9'10"	9'3"	9'3"	
17† Reach at Maximum Lift and 45° Discharge	mm	1406	1544	1544	
	ft/in	4'7"	5'0"	5'0"	
Reach at Level Lift Arm and Bucket Level	mm	2866	3070	3070	
	ft/in	9'4"	10'0"	10'0"	
A† Digging Depth	mm	78	78	48	
	in	3.0"	3.0"	1.9"	
12† Overall Length	mm	8767	8993	8993	
	ft/in	28'10"	29'7"	29'7"	
B† Overall Height with Bucket at Maximum Lift	mm	5998	5998	5998	
	ft/in	19'9"	19'9"	19'9"	
Loader Clearance Circle Radius with Bucket at Carry Position	mm	7539	7629	7629	
	ft/in	24'9"	25'1"	25'1"	
Static Tipping Load, Straight (With tire deflection)	kg	19 632	19 449	19 814	
	lb	43,280	42,877	43,682	
Static Tipping Load, Straight (No tire deflection)	kg	21 122	20 937	21 319	
	lb	46,554	46,146	46,988	
Static Tipping Load, Articulated (With tire deflection)	kg	17 832	17 649	18 001	
	lb	39,313	38,910	39,685	
Static Tipping Load, Articulated (No tire deflection)	kg	19 330	19 145	19 513	
	lb	42,604	42,196	43,007	
Breakout Force (§)	kN	166	165	176	
	lbf	37,424	37,081	39,622	
Operating Weight*	kg	28 578	28 716	28 553	
	lb	62,985	63,289	62,930	

* Static tipping loads and operating weights shown are based on a machine configuration with Brawler 26.5X25 Smooth solid tires, full fluids, operator, cab precleaner, fabricated counterweight with rear guard (1300 kg), flat window glass with front guard, industrial package, ride control, standard starting, narrow fenders, turbine engine precleaner, Product Link, auto diff lock axles (front/rear), power train guard, standard steering, industrial sound suppression and variable pitch fan.

† Illustration shown with Dimension charts.

(§) Measured 100 mm (4") behind tip of cutting edge with bucket hinge pin as pivot point in accordance with ISO 14397-2:2007.

(With tire deflection) Full compliance to ISO 14397-1:2007 Sections 1 thru 6, which requires 2% verification between calculations and testing.

(No tire deflection) Compliance to ISO 14397-1:2007 Sections 1 thru 5.

Other buckets are available and offerings vary by region. Consult your local Cat dealer for further details.

966 Waste & Scrap Handler Specifications

Operating Specifications – Buckets

Linkage		Standard Linkage					
Bucket Type		General Purpose – Hook-On – Fusion					
Edge Type		Bolt-On Cutting Edges	Teeth and Segments	Tips	Bolt-On Cutting Edges	Teeth and Segments	Tips
Capacity – Rated	m ³	3.80	3.80	3.60	4.60	4.60	4.40
	yd ³	5.00	5.00	4.75	6.00	6.00	5.75
Capacity – Rated at 110% Fill Factor	m ³	4.20	4.20	4.00	5.10	5.10	4.80
	yd ³	5.50	5.50	5.25	6.75	6.75	6.25
Width	mm	3220	3271	3271	3220	3271	3271
	ft/in	10'6"	10'8"	10'8"	10'6"	10'8"	10'8"
16† Dump Clearance at Maximum Lift and 45° Discharge	mm	3076	2924	2924	2985	2831	2831
	ft/in	10'1"	9'7"	9'7"	9'9"	9'3"	9'3"
17† Reach at Maximum Lift and 45° Discharge	mm	1335	1474	1474	1409	1546	1546
	ft/in	4'4"	4'10"	4'10"	4'7"	5'0"	5'0"
Reach at Level Lift Arm and Bucket Level	mm	2756	2961	2961	2876	3081	3081
	ft/in	9'0"	9'8"	9'8"	9'5"	10'1"	10'1"
A† Digging Depth	mm	86	86	56	85	85	55
	in	3.4"	3.4"	2.2"	3.3"	3.3"	2.1"
12† Overall Length	mm	8664	8890	8890	8783	9009	9009
	ft/in	28'6"	29'2"	29'2"	28'10"	29'7"	29'7"
B† Overall Height with Bucket at Maximum Lift	mm	5841	5841	5841	6076	6076	6076
	ft/in	19'2"	19'2"	19'2"	20'0"	20'0"	20'0"
Loader Clearance Circle Radius with Bucket at Carry Position	mm	7513	7602	7602	7545	7635	7635
	ft/in	24'8"	25'0"	25'0"	24'10"	25'1"	25'1"
Static Tipping Load, Straight (With tire deflection)	kg	19 940	19 758	20 132	19 767	19 611	19 971
	lb	43,960	43,559	44,383	43,644	43,234	44,028
Static Tipping Load, Straight (No tire deflection)	kg	21 432	21 248	21 639	21 345	21 157	21 536
	lb	47,237	46,831	47,692	47,046	46,630	47,466
Static Tipping Load, Articulated (With tire deflection)	kg	18 123	17 941	18 300	17 972	17 786	18 133
	lb	39,954	39,553	40,345	39,621	39,212	39,976
Static Tipping Load, Articulated (No tire deflection)	kg	19 622	19 437	19 813	19 526	19 338	19 704
	lb	43,247	42,840	43,669	43,037	42,621	43,428
Breakout Force (§)	kN	181	179	192	164	163	174
	lbf	40,682	40,332	43,265	37,052	36,706	39,210
Operating Weight*	kg	28 515	28 653	28 489	28 692	28 830	28 667
	lb	62,846	63,150	62,790	63,237	63,541	63,181

* Static tipping loads and operating weights shown are based on a machine configuration with Brawler 26.5X25 Smooth solid tires, full fluids, operator, cab precleaner, fabricated counterweight with rear guard (1300 kg), flat window glass with front guard, industrial package, ride control, standard starting, narrow fenders, turbine engine precleaner, Product Link, auto diff lock axles (front/rear), power train guard, standard steering, industrial sound suppression and variable pitch fan.

† Illustration shown with Dimension charts.

(§) Measured 100 mm (4") behind tip of cutting edge with bucket hinge pin as pivot point in accordance with ISO 14397-2:2007.

(With tire deflection) Full compliance to ISO 14397-1:2007 Sections 1 thru 6, which requires 2% verification between calculations and testing.

(No tire deflection) Compliance to ISO 14397-1:2007 Sections 1 thru 5.

Other buckets are available and offerings vary by region. Consult your local Cat dealer for further details.

966 Waste & Scrap Handler Specifications

Operating Specifications – Buckets

Linkage		Standard Linkage				
Bucket Type		General Purpose – Pin-On				
Edge Type		Bolt-On Cutting Edges	Teeth and Segments	Tips	Bolt-On Cutting Edges	Tips
Capacity – Rated	m ³	4.60	4.60	4.40	3.80	3.60
	yd ³	6.00	6.00	5.75	5.00	4.75
Capacity – Rated at 110% Fill Factor	m ³	5.10	5.10	4.80	4.20	4.00
	yd ³	6.75	6.75	6.25	5.50	5.25
Width	mm	3264	3301	3301	3220	3271
	ft/in	10'8"	10'9"	10'9"	10'6"	10'8"
16† Dump Clearance at Maximum Lift and 45° Discharge	mm	3015	2857	2857	3105	2953
	ft/in	9'10"	9'4"	9'4"	10'2"	9'8"
17† Reach at Maximum Lift and 45° Discharge	mm	1372	1508	1508	1300	1440
	ft/in	4'6"	4'11"	4'11"	4'3"	4'8"
Reach at Level Lift Arm and Bucket Level	mm	2829	3035	3035	2712	2916
	ft/in	9'3"	9'11"	9'11"	8'10"	9'6"
A† Digging Depth	mm	86	86	56	86	56
	in	3.4"	3.4"	2.2"	3.4"	2.2"
12† Overall Length	mm	8737	8968	8968	8620	8846
	ft/in	28'8"	29'6"	29'6"	28'4"	29'1"
B† Overall Height with Bucket at Maximum Lift	mm	6049	6049	6049	5815	5815
	ft/in	19'11"	19'11"	19'11"	19'1"	19'1"
Loader Clearance Circle Radius with Bucket at Carry Position	mm	7538	7619	7619	7488	7573
	ft/in	24'9"	25'0"	25'0"	24'7"	24'11"
Static Tipping Load, Straight (With tire deflection)	kg	20 322	20 014	20 393	20 562	20 599
	lb	44,803	44,123	44,958	45,332	45,414
Static Tipping Load, Straight (No tire deflection)	kg	21 884	21 570	21 966	22 086	22 106
	lb	48,234	47,541	48,413	48,678	48,722
Static Tipping Load, Articulated (With tire deflection)	kg	18 481	18 174	18 537	18 722	18 751
	lb	40,743	40,066	40,868	41,274	41,339
Static Tipping Load, Articulated (No tire deflection)	kg	20 049	19 735	20 116	20 251	20 263
	lb	44,189	43,498	44,336	44,635	44,661
Breakout Force (§)	kN	170	167	179	187	200
	lbf	38,334	37,661	40,281	42,203	44,976
Operating Weight*	kg	28 291	28 463	28 302	28 100	28 074
	lb	62,352	62,731	62,376	61,931	61,875

*Static tipping loads and operating weights shown are based on a machine configuration with Brawler 26.5X25 Smooth solid tires, full fluids, operator, cab precleaner, fabricated counterweight with rear guard (1300 kg), flat window glass with front guard, industrial package, ride control, standard starting, narrow fenders, turbine engine precleaner, Product Link, auto diff lock axles (front/rear), power train guard, standard steering, industrial sound suppression and variable pitch fan.

† Illustration shown with Dimension charts.

(§) Measured 100 mm (4") behind tip of cutting edge with bucket hinge pin as pivot point in accordance with ISO 14397-2:2007.

(With tire deflection) Full compliance to ISO 14397-1:2007 Sections 1 thru 6, which requires 2% verification between calculations and testing.

(No tire deflection) Compliance to ISO 14397-1:2007 Sections 1 thru 5.

Other buckets are available and offerings vary by region. Consult your local Cat dealer for further details.

966 Waste & Scrap Handler Specifications

Operating Specifications – Buckets

Linkage		Standard Linkage			
Bucket Type		General Purpose – Pin-On			
Edge Type		Bolt-On Cutting Edges	Tips	Bolt-On Cutting Edges	Tips
Capacity – Rated	m ³	4.20	4.00	4.00	3.80
	yd ³	5.50	5.25	5.25	5.00
Capacity – Rated at 110% Fill Factor	m ³	4.60	4.40	4.40	4.20
	yd ³	6.00	5.75	5.75	5.50
Width	mm	3220	3271	3220	3271
	ft/in	10'6"	10'8"	10'6"	10'8"
16† Dump Clearance at Maximum Lift and 45° Discharge	mm	3029	2875	3096	2943
	ft/in	9'11"	9'5"	10'1"	9'7"
17† Reach at Maximum Lift and 45° Discharge	mm	1361	1498	1307	1446
	ft/in	4'5"	4'11"	4'3"	4'8"
Reach at Level Lift Arm and Bucket Level	mm	2811	3016	2723	2928
	ft/in	9'2"	9'10"	8'11"	9'7"
A† Digging Depth	mm	86	56	86	56
	in	3.4"	2.2"	3.4"	2.2"
12† Overall Length	mm	8719	8945	8631	8857
	ft/in	28'8"	29'5"	28'4"	29'1"
B† Overall Height with Bucket at Maximum Lift	mm	5926	5926	5926	5926
	ft/in	19'6"	19'6"	19'6"	19'6"
Loader Clearance Circle Radius with Bucket at Carry Position	mm	7513	7598	7491	7576
	ft/in	24'8"	25'0"	24'7"	24'11"
Static Tipping Load, Straight (With tire deflection)	kg	20 321	20 410	20 549	20 630
	lb	44,800	44,996	45,302	45,482
Static Tipping Load, Straight (No tire deflection)	kg	21 847	21 939	22 085	22 170
	lb	48,152	48,354	48,677	48,863
Static Tipping Load, Articulated (With tire deflection)	kg	18 489	18 565	18 704	18 772
	lb	40,762	40,928	41,236	41,386
Static Tipping Load, Articulated (No tire deflection)	kg	20 022	20 099	20 247	20 317
	lb	44,130	44,298	44,625	44,778
Breakout Force (§)	kN	173	184	185	197
	lbf	39,032	41,412	41,747	44,465
Operating Weight*	kg	28 208	28 182	28 152	28 126
	lb	62,169	62,113	62,046	61,990

* Static tipping loads and operating weights shown are based on a machine configuration with Brawler 26.5X25 Smooth solid tires, full fluids, operator, cab precleaner, fabricated counterweight with rear guard (1300 kg), flat window glass with front guard, industrial package, ride control, standard starting, narrow fenders, turbine engine precleaner, Product Link, auto diff lock axles (front/rear), power train guard, standard steering, industrial sound suppression and variable pitch fan.

† Illustration shown with Dimension charts.

(§) Measured 100 mm (4") behind tip of cutting edge with bucket hinge pin as pivot point in accordance with ISO 14397-2:2007.

(With tire deflection) Full compliance to ISO 14397-1:2007 Sections 1 thru 6, which requires 2% verification between calculations and testing.

(No tire deflection) Compliance to ISO 14397-1:2007 Sections 1 thru 5.

Other buckets are available and offerings vary by region. Consult your local Cat dealer for further details.

966 Waste & Scrap Handler Specifications

Operating Specifications – Buckets

Linkage		Standard Linkage			
Bucket Type		High Dump – Hook-On – Fusion		Waste, Dozing – Pin-On	Waste, Load and Carry – Pin-On
Edge Type		Bolt-On Cutting Edges	Bolt-On Cutting Edges	Steel Bolt-On Cutting Edges	Steel Bolt-On Cutting Edges
Capacity – Rated	m ³	5.35	5.35	6.50	7.40
	yd ³	7.00	7.00	8.50	9.75
Capacity – Rated at 110% Fill Factor	m ³	5.90	5.90	7.20	8.10
	yd ³	7.75	7.75	9.50	10.50
Width	mm	3059	3059	3357	3357
	ft/in	10'0"	10'0"	11'0"	11'0"
16 † Dump Clearance at Maximum Lift and 45° Discharge	mm	2629	2629	2951	2670
	ft/in	8'7"	8'7"	9'8"	8'9"
17 † Reach at Maximum Lift and 45° Discharge	mm	1579	1579	1245	1526
	ft/in	5'2"	5'2"	4'1"	5'0"
Reach at Level Lift Arm and Bucket Level	mm	3266	3266	2802	3199
	ft/in	10'8"	10'8"	9'2"	10'5"
A † Digging Depth	mm	109	109	118	78
	in	4.3"	4.3"	4.6"	3.0"
12 † Overall Length	mm	9193	9193	8736	9133
	ft/in	30'2"	30'2"	28'8"	30'0"
B † Overall Height with Bucket at Maximum Lift	mm	6221	6221	6600	6377
	ft/in	20'5"	20'5"	21'8"	21'0"
Loader Clearance Circle Radius with Bucket at Carry Position	mm	7592	7592	7584	7686
	ft/in	24'11"	24'11"	24'11"	25'3"
Static Tipping Load, Straight (With tire deflection)	kg	18 318	18 318	20 566	18 761
	lb	40,384	40,384	45,340	41,361
Static Tipping Load, Straight (No tire deflection)	kg	19 834	19 834	22 389	20 344
	lb	43,715	43,715	49,345	44,840
Static Tipping Load, Articulated (With tire deflection)	kg	16 563	16 563	18 643	16 970
	lb	36,515	36,515	41,101	37,412
Static Tipping Load, Articulated (No tire deflection)	kg	18 086	18 086	20 465	18 559
	lb	39,863	39,863	45,106	40,905
Breakout Force (§)	kN	126	126	169	136
	lbf	28,437	28,437	38,181	30,669
Operating Weight*	kg	29 209	29 209	28 905	29 129
	lb	64,377	64,377	63,705	64,199

* Static tipping loads and operating weights shown are based on a machine configuration with Brawler 26.5X25 Smooth solid tires, full fluids, operator, cab precleaner, fabricated counterweight with rear guard (1300 kg), flat window glass with front guard, industrial package, ride control, standard starting, narrow fenders, turbine engine precleaner, Product Link, auto diff lock axles (front/rear), power train guard, standard steering, industrial sound suppression and variable pitch fan.

† Illustration shown with Dimension charts.

(§) Measured 100 mm (4") behind tip of cutting edge with bucket hinge pin as pivot point in accordance with ISO 14397-2:2007.

(With tire deflection) Full compliance to ISO 14397-1:2007 Sections 1 thru 6, which requires 2% verification between calculations and testing.

(No tire deflection) Compliance to ISO 14397-1:2007 Sections 1 thru 5.

Other buckets are available and offerings vary by region. Consult your local Cat dealer for further details.

966 Waste & Scrap Handler Specifications

Operating Specifications – Buckets

Linkage		Standard Linkage
Bucket Type		Waste, Top Clamp – Pin-On
Edge Type		Steel Bolt-On Cutting Edges
Capacity – Rated	m ³	5.00
	yd ³	6.50
Capacity – Rated at 110% Fill Factor	m ³	5.50
	yd ³	7.25
Width	mm	3357
	ft/in	11'0"
16† Dump Clearance at Maximum Lift and 45° Discharge	mm	2457
	ft/in	8'0"
17† Reach at Maximum Lift and 45° Discharge	mm	1740
	ft/in	5'8"
Reach at Level Lift Arm and Bucket Level	mm	3501
	ft/in	11'5"
A† Digging Depth	mm	78
	in	3.0"
12† Overall Length	mm	9435
	ft/in	31'0"
B† Overall Height with Bucket at Maximum Lift	mm	5516
	ft/in	18'2"
Loader Clearance Circle Radius with Bucket at Carry Position	mm	7768
	ft/in	25'6"
Static Tipping Load, Straight (With tire deflection)	kg	16 608
	lb	36,615
Static Tipping Load, Straight (No tire deflection)	kg	17 923
	lb	39,503
Static Tipping Load, Articulated (With tire deflection)	kg	14 949
	lb	32,956
Static Tipping Load, Articulated (No tire deflection)	kg	16 275
	lb	35,872
Breakout Force (§)	kN	112
	lbf	25,206
Operating Weight*	kg	29 916
	lb	65,933

* Static tipping loads and operating weights shown are based on a machine configuration with Brawler 26.5X25 Smooth solid tires, full fluids, operator, cab precleaner, fabricated counterweight with rear guard (1300 kg), flat window glass with front guard, industrial package, ride control, standard starting, narrow fenders, turbine engine precleaner, Product Link, auto diff lock axles (front/rear), power train guard, standard steering, industrial sound suppression and variable pitch fan.

† Illustration shown with Dimension charts.

(§) Measured 100 mm (4") behind tip of cutting edge with bucket hinge pin as pivot point in accordance with ISO 14397-2:2007.

(With tire deflection) Full compliance to ISO 14397-1:2007 Sections 1 thru 6, which requires 2% verification between calculations and testing.

(No tire deflection) Compliance to ISO 14397-1:2007 Sections 1 thru 5.

Other buckets are available and offerings vary by region. Consult your local Cat dealer for further details.

966 Waste & Scrap Handler Specifications

Operating Specifications – Buckets

Linkage		High Lift Linkage					
Bucket Type		General Purpose – Hook-On – Fusion					
Edge Type		Bolt-On Cutting Edges	Teeth and Segments	Tips	Bolt-On Cutting Edges	Teeth and Segments	Tips
Capacity – Rated	m ³	4.20	4.20	4.00	3.80	3.80	3.60
	yd ³	5.50	5.50	5.25	5.00	5.00	4.75
Capacity – Rated at 110% Fill Factor	m ³	4.60	4.60	4.40	4.20	4.20	4.00
	yd ³	6.00	6.00	5.75	5.50	5.50	5.25
Width	mm	3220	3271	3271	3220	3271	3271
	ft/in	10'6"	10'8"	10'8"	10'6"	10'8"	10'8"
16 † Dump Clearance at Maximum Lift and 45° Discharge	mm	3556	3402	3402	3634	3482	3482
	ft/in	11'8"	11'1"	11'1"	11'11"	11'5"	11'5"
17 † Reach at Maximum Lift and 45° Discharge	mm	1382	1519	1519	1310	1450	1450
	ft/in	4'6"	4'11"	4'11"	4'3"	4'9"	4'9"
Reach at Level Lift Arm and Bucket Level	mm	3270	3475	3475	3160	3365	3365
	ft/in	10'8"	11'4"	11'4"	10'4"	11'0"	11'0"
A † Digging Depth	mm	53	53	23	61	61	31
	in	2.1"	2.1"	0.9"	2.4"	2.4"	1.2"
12 † Overall Length	mm	9274	9496	9496	9170	9392	9392
	ft/in	30'6"	31'2"	31'2"	30'2"	30'10"	30'10"
B † Overall Height with Bucket at Maximum Lift	mm	6556	6556	6556	6399	6399	6399
	ft/in	21'7"	21'7"	21'7"	21'0"	21'0"	21'0"
Loader Clearance Circle Radius with Bucket at Carry Position	mm	7778	7878	7878	7747	7845	7845
	ft/in	25'7"	25'11"	25'11"	25'5"	25'9"	25'9"
Static Tipping Load, Straight (With tire deflection)	kg	16 503	16 328	16 638	16 725	16 550	16 865
	lb	36,383	35,996	36,680	36,872	36,487	37,182
Static Tipping Load, Straight (No tire deflection)	kg	17 608	17 431	17 750	17 825	17 648	17 972
	lb	38,809	38,418	39,122	39,286	38,896	39,611
Static Tipping Load, Articulated (With tire deflection)	kg	14 933	14 757	15 058	15 144	14 969	15 274
	lb	32,921	32,534	33,197	33,386	33,000	33,674
Static Tipping Load, Articulated (No tire deflection)	kg	16 053	15 875	16 185	16 258	16 081	16 395
	lb	35,381	34,990	35,672	35,832	35,442	36,135
Breakout Force (§)	kN	154	152	162	167	165	177
	lbf	34,684	34,165	36,535	37,665	37,129	39,857
Operating Weight*	kg	28 813	28 951	28 788	28 750	28 888	28 725
	lb	63,504	63,808	63,448	63,364	63,668	63,308

* Static tipping loads and operating weights shown are based on a machine configuration with Brawler 26.5X25 Smooth solid tires, full fluids, operator, cab precleaner, fabricated counterweight with rear guard (1300 kg), flat window glass with front guard, industrial package, ride control, standard starting, narrow fenders, turbine engine precleaner, Product Link, auto diff lock axles (front/rear), power train guard, standard steering, industrial sound suppression and variable pitch fan.

† Illustration shown with Dimension charts.

(§) Measured 100 mm (4") behind tip of cutting edge with bucket hinge pin as pivot point in accordance with ISO 14397-2:2007.

(With tire deflection) Full compliance to ISO 14397-1:2007 Sections 1 thru 6, which requires 2% verification between calculations and testing.

(No tire deflection) Compliance to ISO 14397-1:2007 Sections 1 thru 5.

Other buckets are available and offerings vary by region. Consult your local Cat dealer for further details.

966 Waste & Scrap Handler Specifications

Operating Specifications – Buckets

Linkage		High Lift Linkage					
Bucket Type	Edge Type	General Purpose – Hook-On – Fusion			General Purpose – Pin-On		
		Bolt-On Cutting Edges	Teeth and Segments	Tips	Bolt-On Cutting Edges	Teeth and Segments	Tips
Capacity – Rated	m ³	4.60	4.60	4.40	4.60	4.60	4.40
	yd ³	6.00	6.00	5.75	6.00	6.00	5.75
Capacity – Rated at 110% Fill Factor	m ³	5.10	5.10	4.80	5.10	5.10	4.80
	yd ³	6.75	6.75	6.25	6.75	6.75	6.25
Width	mm	3220	3271	3271	3264	3301	3301
	ft/in	10'6"	10'8"	10'8"	10'8"	10'9"	10'9"
16† Dump Clearance at Maximum Lift and 45° Discharge	mm	3543	3389	3389	3573	3415	3415
	ft/in	11'7"	11'1"	11'1"	11'8"	11'2"	11'2"
17† Reach at Maximum Lift and 45° Discharge	mm	1384	1522	1522	1348	1483	1483
	ft/in	4'6"	4'11"	4'11"	4'5"	4'10"	4'10"
Reach at Level Lift Arm and Bucket Level	mm	3280	3485	3485	3233	3439	3439
	ft/in	10'9"	11'5"	11'5"	10'7"	11'3"	11'3"
A† Digging Depth	mm	60	60	30	61	61	31
	in	2.3"	2.3"	1.1"	2.4"	2.4"	1.2"
12† Overall Length	mm	9289	9511	9511	9243	9469	9469
	ft/in	30'6"	31'3"	31'3"	30'4"	31'1"	31'1"
B† Overall Height with Bucket at Maximum Lift	mm	6634	6634	6634	6607	6607	6607
	ft/in	21'10"	21'10"	21'10"	21'9"	21'9"	21'9"
Loader Clearance Circle Radius with Bucket at Carry Position	mm	7784	7884	7884	7772	7863	7863
	ft/in	25'7"	25'11"	25'11"	25'6"	25'10"	25'10"
Static Tipping Load, Straight (With tire deflection)	kg	16 608	16 430	16 739	17 084	16 800	17 117
	lb	36,615	36,222	36,903	37,664	37,037	37,737
Static Tipping Load, Straight (No tire deflection)	kg	17 751	17 570	17 891	18 235	17 947	18 273
	lb	39,124	38,726	39,432	40,191	39,555	40,274
Static Tipping Load, Articulated (With tire deflection)	kg	15 018	14 840	15 139	15 482	15 199	15 506
	lb	33,108	32,716	33,376	34,132	33,507	34,184
Static Tipping Load, Articulated (No tire deflection)	kg	16 174	15 994	16 305	16 648	16 359	16 675
	lb	35,649	35,251	35,936	36,692	36,057	36,753
Breakout Force (§)	kN	152	150	160	157	153	164
	lbf	34,285	33,768	36,100	35,467	34,587	37,021
Operating Weight*	kg	28 927	29 065	28 902	28 526	28 698	28 537
	lb	63,755	64,059	63,700	62,870	63,249	62,894

* Static tipping loads and operating weights shown are based on a machine configuration with Brawler 26.5X25 Smooth solid tires, full fluids, operator, cab precleaner, fabricated counterweight with rear guard (1300 kg), flat window glass with front guard, industrial package, ride control, standard starting, narrow fenders, turbine engine precleaner, Product Link, auto diff lock axles (front/rear), power train guard, standard steering, industrial sound suppression and variable pitch fan.

† Illustration shown with Dimension charts.

(§) Measured 100 mm (4") behind tip of cutting edge with bucket hinge pin as pivot point in accordance with ISO 14397-2:2007.

(With tire deflection) Full compliance to ISO 14397-1:2007 Sections 1 thru 6, which requires 2% verification between calculations and testing.

(No tire deflection) Compliance to ISO 14397-1:2007 Sections 1 thru 5.

Other buckets are available and offerings vary by region. Consult your local Cat dealer for further details.

966 Waste & Scrap Handler Specifications

Operating Specifications – Buckets

Linkage		High Lift Linkage					
Bucket Type		General Purpose – Pin-On					
Edge Type		Bolt-On Cutting Edges		Bolt-On Cutting Edges		Bolt-On Cutting Edges	
		Tips	Tips	Tips	Tips	Tips	Tips
Capacity – Rated	m ³	3.80	3.60	4.20	4.00	4.00	3.80
	yd ³	5.00	4.75	5.50	5.25	5.25	5.00
Capacity – Rated at 110% Fill Factor	m ³	4.20	4.00	4.60	4.40	4.40	4.20
	yd ³	5.50	5.25	6.00	5.75	5.75	5.50
Width	mm	3220	3271	3220	3271	3220	3271
	ft/in	10'6"	10'8"	10'6"	10'8"	10'6"	10'8"
16† Dump Clearance at Maximum Lift and 45° Discharge	mm	3663	3511	3587	3433	3654	3501
	ft/in	12'0"	11'6"	11'9"	11'3"	11'11"	11'5"
17† Reach at Maximum Lift and 45° Discharge	mm	1276	1415	1336	1474	1283	1422
	ft/in	4'2"	4'7"	4'4"	4'10"	4'2"	4'7"
Reach at Level Lift Arm and Bucket Level	mm	3116	3321	3215	3420	3128	3332
	ft/in	10'2"	10'10"	10'6"	11'2"	10'3"	10'11"
A† Digging Depth	mm	61	31	61	31	61	31
	in	2.4"	1.2"	2.4"	1.2"	2.4"	1.2"
12† Overall Length	mm	9125	9347	9225	9447	9137	9359
	ft/in	30'0"	30'8"	30'4"	31'0"	30'0"	30'9"
B† Overall Height with Bucket at Maximum Lift	mm	6373	6373	6484	6484	6484	6484
	ft/in	20'11"	20'11"	21'4"	21'4"	21'4"	21'4"
Loader Clearance Circle Radius with Bucket at Carry Position	mm	7718	7812	7747	7842	7721	7815
	ft/in	25'4"	25'8"	25'5"	25'9"	25'4"	25'8"
Static Tipping Load, Straight (With tire deflection)	kg	17 281	17 283	17 090	17 135	17 264	17 304
	lb	38,098	38,102	37,676	37,776	38,061	38,149
Static Tipping Load, Straight (No tire deflection)	kg	18 401	18 387	18 215	18 258	18 393	18 431
	lb	40,556	40,525	40,146	40,241	40,539	40,622
Static Tipping Load, Articulated (With tire deflection)	kg	15 682	15 680	15 497	15 532	15 662	15 693
	lb	34,573	34,569	34,164	34,243	34,529	34,597
Static Tipping Load, Articulated (No tire deflection)	kg	16 817	16 798	16 636	16 669	16 806	16 833
	lb	37,065	37,024	36,667	36,739	37,041	37,101
Breakout Force (§)	kN	173	184	160	169	172	182
	lbf	39,085	41,447	36,129	38,141	38,656	40,968
Operating Weight*	kg	28 335	28 310	28 443	28 418	28 387	28 362
	lb	62,450	62,394	62,688	62,632	62,564	62,508

* Static tipping loads and operating weights shown are based on a machine configuration with Brawler 26.5X25 Smooth solid tires, full fluids, operator, cab precleaner, fabricated counterweight with rear guard (1300 kg), flat window glass with front guard, industrial package, ride control, standard starting, narrow fenders, turbine engine precleaner, Product Link, auto diff lock axles (front/rear), power train guard, standard steering, industrial sound suppression and variable pitch fan.

† Illustration shown with Dimension charts.

(§) Measured 100 mm (4") behind tip of cutting edge with bucket hinge pin as pivot point in accordance with ISO 14397-2:2007.

(With tire deflection) Full compliance to ISO 14397-1:2007 Sections 1 thru 6, which requires 2% verification between calculations and testing.

(No tire deflection) Compliance to ISO 14397-1:2007 Sections 1 thru 5.

Other buckets are available and offerings vary by region. Consult your local Cat dealer for further details.

966 Waste & Scrap Handler Specifications

Operating Specifications – Buckets

Linkage		High Lift Linkage			
Bucket Type		High Dump – Hook-On – Fusion	Waste, Dozing – Pin-On	Waste, Load and Carry – Pin-On	Waste, Top Clamp – Pin-On
Edge Type		Bolt-On Cutting Edges	Steel Bolt-On Cutting Edges	Steel Bolt-On Cutting Edges	Steel Bolt-On Cutting Edges
Capacity – Rated	m ³	5.35	6.50	7.40	5.00
	yd ³	7.00	8.50	9.75	6.50
Capacity – Rated at 110% Fill Factor	m ³	5.90	7.20	8.10	5.50
	yd ³	7.75	9.50	10.50	7.25
Width	mm	3059	3357	3357	3357
	ft/in	10'0"	11'0"	11'0"	11'0"
16 † Dump Clearance at Maximum Lift and 45° Discharge	mm	3187	3509	3228	3015
	ft/in	10'5"	11'6"	10'7"	9'10"
17 † Reach at Maximum Lift and 45° Discharge	mm	1555	1221	1501	1715
	ft/in	5'1"	4'0"	4'11"	5'7"
Reach at Level Lift Arm and Bucket Level	mm	3670	3206	3603	3905
	ft/in	12'0"	10'6"	11'9"	12'9"
A † Digging Depth	mm	84	93	53	53
	in	3.3"	3.6"	2.0"	2.0"
12 † Overall Length	mm	9695	9237	9634	9936
	ft/in	31'10"	30'4"	31'8"	32'8"
B † Overall Height with Bucket at Maximum Lift	mm	6780	7158	6935	6074
	ft/in	22'3"	23'6"	22'10"	20'0"
Loader Clearance Circle Radius with Bucket at Carry Position	mm	7853	7817	7937	8032
	ft/in	25'10"	25'8"	26'1"	26'5"
Static Tipping Load, Straight (With tire deflection)	kg	15 443	17 196	15 798	13 948
	lb	34,046	37,911	34,828	30,750
Static Tipping Load, Straight (No tire deflection)	kg	16 583	18 524	16 982	14 948
	lb	36,550	40,827	37,428	32,947
Static Tipping Load, Articulated (With tire deflection)	kg	13 898	15 524	14 225	12 481
	lb	30,640	34,225	31,361	27,516
Static Tipping Load, Articulated (No tire deflection)	kg	15 052	16 863	15 423	13 499
	lb	33,175	37,166	33,993	29,752
Breakout Force (§)	kN	116	155	124	102
	lbf	26,107	35,038	28,070	22,995
Operating Weight*	kg	29 445	29 140	29 364	30 151
	lb	64,895	64,224	64,717	66,452

* Static tipping loads and operating weights shown are based on a machine configuration with Brawler 26.5X25 Smooth solid tires, full fluids, operator, cab precleaner, fabricated counterweight with rear guard (1300 kg), flat window glass with front guard, industrial package, ride control, standard starting, narrow fenders, turbine engine precleaner, Product Link, auto diff lock axles (front/rear), power train guard, standard steering, industrial sound suppression and variable pitch fan.

† Illustration shown with Dimension charts.

(§) Measured 100 mm (4") behind tip of cutting edge with bucket hinge pin as pivot point in accordance with ISO 14397-2:2007.

(With tire deflection) Full compliance to ISO 14397-1:2007 Sections 1 thru 6, which requires 2% verification between calculations and testing.

(No tire deflection) Compliance to ISO 14397-1:2007 Sections 1 thru 5.

Other buckets are available and offerings vary by region. Consult your local Cat dealer for further details.



966

Forestry Machine

The Cat 966 Wheel Loader Forestry Package provides the additional performance, productivity, and safety that is demanded in the woods and the millyard.

Proven Reliability

- Cat C9.3B engine offers high power density with a combination of proven electronics, fuel, and air systems.
- Equipped with automatic Cat regeneration system, Cat Clean Emissions Module (CEM) with Diesel Particulate Filter (DPF), and Diesel Exhaust Fluid (DEF) tank and pump.
- Features an electric fuel priming pump, fuel-water separator, and secondary fuel filter.
- Thorough component design and machine validation processes result in unmatched reliability and uptime.

Durability

- Forestry package includes an extreme service transmission and a lift arm with additional weld treatments for added durability.
- Heavy-duty axles are designed to handle extreme applications.

Superior Fuel Efficiency & Productivity

- Forestry package includes additional counterweight, a larger tilt cylinder, and increased tilt relief pressure to increase machine capacity over the base model.
- Optional variable pitch fan and high debris coolers minimize the potential for overheating and reduce downtime for radiator clean out in high debris applications.
- Optional 3rd and 4th valve auxiliary hydraulics to control work tools requiring the additional function.
- Powershift transmission with lock-up clutch increases fuel efficiency while delivering optimal performance.
- Single clutch and lock-to-lock shifting for faster acceleration and speed on grades.
- Automatic idle engine shutdown system significantly reduces idle time, overall operating hours, and fuel consumption.
- Deeply integrated engine, power train, and hydraulic systems deliver unmatched productivity and fuel efficiency.

Safety Features

- Rearview camera enhances visibility behind the machine, helping you work safely and confidently.
- Optional Multiview (360°) vision system helps the operator monitor the surroundings of the machine at all times.
- Optional Cat Detect radar technology enhances awareness by monitoring the working environment and alerts operators to hazards.
- Cab access with wide door, optional remote door opening, and stair-like steps add solid stability.
- Floor-to-ceiling windshield, large mirrors with integrated spot mirrors, and rearview camera provide industry leading all-around visibility.

Reduced Maintenance Time and Costs

- Extended fluid and filter change intervals reduce maintenance costs by up to 20%.
- Optional turbine engine air precleaner improves air filter life.
- Remote Troubleshoot can connect the machine to the dealer service department to help diagnose problems quickly so you can get back to work.
- Remote Flash works around your schedule to ensure your machine's software is up to date for optimal performance.
- The Cat App helps you manage fleet location, hours, and maintenance schedules; it also alerts you for required maintenance and allows you to request service from your local Cat dealer.
- One-piece tilting hood makes engine compartment access fast and easy.

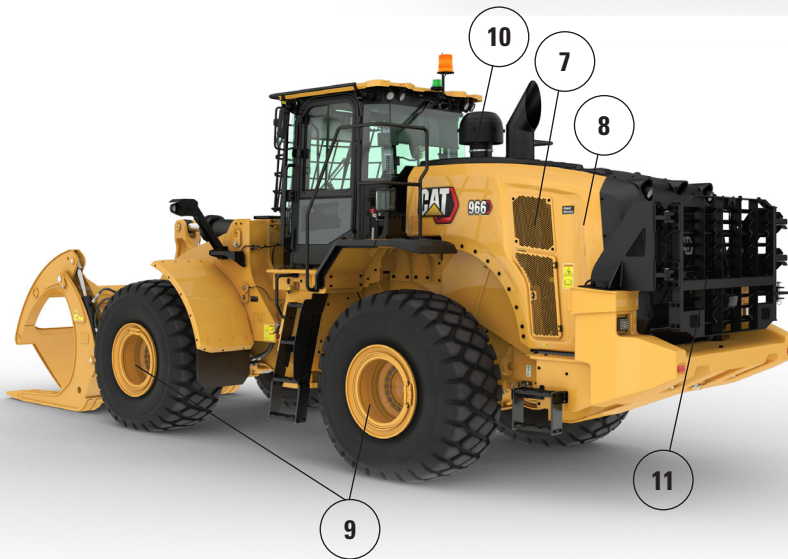
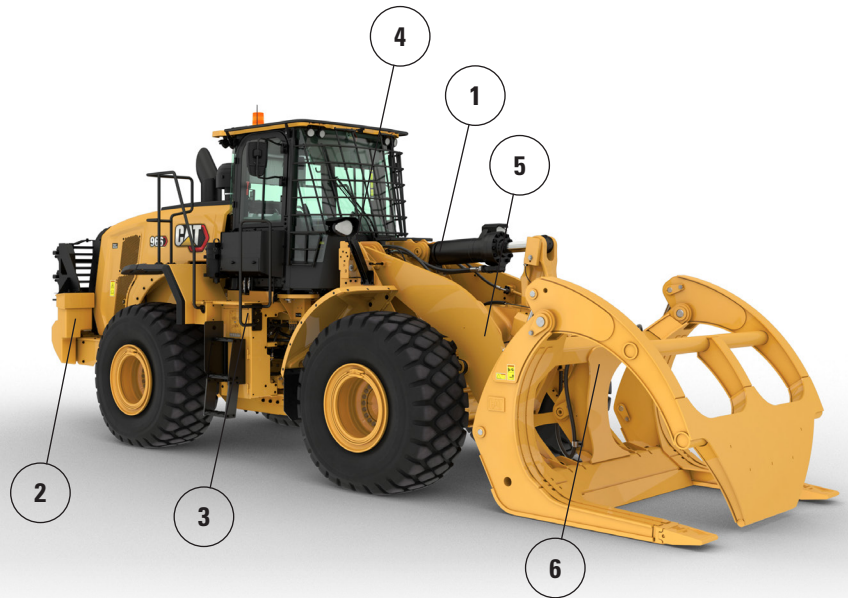
Work in Comfort in the All New Cab

- Optional powered cabin precleaner filters the incoming air and pressurize the cab.
- Next-generation, easily adjustable seat and suspension for improved operator comfort. It comes in three trim levels and can be equipped with a 4-point harness.
- New in-cab dashboard and high-resolution touch display(s) are easy to use, intuitive, and user friendly.
- Sound suppression, seals, and viscous cab mounts decrease noise and vibration for a quieter work environment.
- The seat-mounted electro-hydraulic joystick steering system provides precision control and dramatically reduces arm fatigue, resulting in excellent comfort and accuracy. An HMU steering wheel is also available.

966 Forestry Machine Specifications

966 Forestry Machine Features

1. Larger tilt cylinder and relief valves for increased load control in fork applications
2. Heavier counterweight provides increased tipping loads in a millyard application
3. Extreme service transmission maintains durability
4. Optional window guarding to provide impact resistance to the glass
5. Optional 3rd and 4th function hydraulics provide auxiliary hydraulic control for work tools like millyard or logging forks
6. Wide range of millyard work tools



7. Optional variable pitch fan help to keep rear grill and cooling cores clean in high debris applications
8. Optional high debris/wide fin spacing cooling cores are less prone to plugging
9. Optional axle oil cooler provides lower axle oil temperatures in high braking applications
10. Optional engine and cab precleaners for use in high debris applications
11. Optional rear guard protects the rear grill and cooling package from impact

966 Forestry Machine Specifications

Tire Options

Tire Brand	BRIDGESTONE	BRIDGESTONE	BRIDGESTONE	MICHELIN	MICHELIN	MAXAM
Tire Size	26.5R25	26.5R25	775/65R29	26.5R25	775/65R29	26.5R25
Tread Type	L3	L4	L3	L3	L3	L3
Tread Pattern	VJT	VSNT	VTS	XHA2	XHA2	MS302
Casing Strength	*	*	*	**	*	**
Width over Tires – Maximum (empty)*	2978 mm 9'10"	2960 mm 9'9"	3046 mm 10'0"	2986 mm 9'10"	3019 mm 9'11"	2972 mm 9'9"
Width over Tires – Maximum (loaded)*	3012 mm 9'11"	2991 mm 9'10"	3070 mm 10'1"	3016 mm 9'11"	3049 mm 10'1"	2947 mm 9'9"
Change in Vertical Dimensions (average of front and rear)		26 mm 1.0"	11 mm 0.4"	-11 mm -0.4"	4 mm 0.1"	14 mm 0.5"
Change in Horizontal Reach		-21 mm -0.8"	-1 mm 0"	3 mm 0.1"	2 mm 0.1"	-7 mm -0.3"
Change in Clearance Circle to Outside of Tires		-21 mm -0.8"	58 mm 2.3"	5 mm 0.2"	38 mm 1.5"	-65 mm -2.6"
Change in Clearance Circle to Inside of Tires		21 mm 0.8"	-58 mm -2.3"	-5 mm -0.2"	-38 mm -1.5"	65 mm 2.6"
Change in Operating Weight (without Ballast)		460 kg 1,014 lb	692 lb 1,525 lb	-164 kg -362 lb	504 kg 1,110 lb	-16 kg -35 lb
Change in Static Tipping Load – Straight		334 kg 735 lb	501 kg 1,106 lb	-119 kg -262 lb	365 kg 805 lb	-12 kg -26 lb
Change in Static Tipping Load – Articulated		297 kg 654 lb	446 kg 984 lb	-106 kg -233 lb	325 kg 716 lb	-10 kg -23 lb
Rear Axle Oscillation Angle	±13 degrees	±13 degrees	±8 degrees	±13 degrees	±8 degrees	±13 degrees
Maximum Single-wheel Rise and Fall	502 mm 1'8"	502 mm 1'8"	310 mm 1'1"	502 mm 1'8"	310 mm 1'1"	502 mm 1'8"

*Width over tire bulge and includes tire growth.

Operating Specifications – Buckets

Linkage		Forestry Linkage					
Bucket Type		High Dump – Hook-On – Fusion			High Dump – Pin-On		
Edge Type		Bolt-On Cutting Edges	Bolt-On Cutting Edges	Bolt-On Cutting Edges	Bolt-On Cutting Edges	Bolt-On Cutting Edges	Bolt-On Cutting Edges
Capacity – Rated	m ³	7.60	9.20	11.10	7.60	9.20	11.10
	yd ³	10.00	12.00	14.50	10.00	12.00	14.50
Capacity – Rated at 110% Fill Factor	m ³	8.40	10.10	12.20	8.40	10.10	12.20
	yd ³	11.00	13.25	16.00	11.00	13.25	16.00
Width	mm	3350	3656	3656	3350	3656	3656
	ft/in	10'11"	11'11"	11'11"	10'11"	11'11"	11'11"
16 † Dump Clearance at Maximum Lift and 45° Discharge	mm	2412	2356	2200	2426	2370	2214
	ft/in	7'10"	7'8"	7'2"	7'11"	7'9"	7'3"
17 † Reach at Maximum Lift and 45° Discharge	mm	1790	1846	2002	1776	1832	1988
	ft/in	5'10"	6'0"	6'6"	5'9"	6'0"	6'6"
Reach at Level Lift Arm and Bucket Level	mm	3545	3625	3845	3525	3605	3825
	ft/in	11'7"	11'10"	12'7"	11'6"	11'9"	12'6"
A † Digging Depth	mm	84	84	84	84	84	84
	in	3.3"	3.3"	3.3"	3.3"	3.3"	3.3"
12 † Overall Length	mm	9764	9844	10 064	9744	9824	10 044
	ft/in	32'1"	32'4"	33'1"	32'0"	32'3"	33'0"
B † Overall Height with Bucket at Maximum Lift	mm	6406	6488	6712	6394	6476	6700
	ft/in	21'1"	21'4"	22'1"	21'0"	21'3"	22'0"
Loader Clearance Circle Radius with Bucket at Carry Position	mm	7802	7963	8032	7795	7956	8023
	ft/in	25'8"	26'2"	26'5"	25'7"	26'2"	26'4"
Static Tipping Load, Straight (With tire deflection)	kg	17 390	17 110	16 746	17 849	17 570	17 200
	lb	38,329	37,711	36,909	39,339	38,724	37,910
Static Tipping Load, Straight (No tire deflection)	kg	18 859	18 589	18 255	19 327	19 060	18 720
	lb	41,567	40,972	40,234	42,598	42,008	41,261
Static Tipping Load, Articulated (With tire deflection)	kg	14 963	14 687	14 336	15 412	15 137	14 780
	lb	32,980	32,372	31,597	33,969	33,362	32,576
Static Tipping Load, Articulated (No tire deflection)	kg	16 457	16 192	15 869	16 916	16 652	16 325
	lb	36,272	35,687	34,977	37,283	36,701	35,982
Breakout Force (§)	kN	142	135	120	143	136	122
	lbf	31,958	30,412	27,122	32,331	30,762	27,416
Operating Weight*	kg	26 369	26 585	26 792	25 891	26 107	26 314
	lb	58,118	58,594	59,050	57,062	57,538	57,995

* Static tipping loads and operating weights shown are based on a machine configuration with Bridgestone 26.5R25 VJT L3 radial tires, full fluids, operator, axle oil cooler, logger counterweight, ride control, cold start, roading fenders, Product Link, manual diff lock/open axles (front/rear), logger package, power train guard, secondary steering and sound suppression.

† Illustration shown with Dimension charts.

(§) Measured 100 mm (4") behind tip of cutting edge with bucket hinge pin as pivot point in accordance with ISO 14397-2:2007.

(With tire deflection) Full compliance to ISO 14397-1:2007 Sections 1 thru 6, which requires 2% verification between calculations and testing.

(No tire deflection) Compliance to ISO 14397-1:2007 Sections 1 thru 5.

Other buckets are available and offerings vary by region. Consult your local Cat dealer for further details.

966 Forestry Machine Specifications

Operating Specifications – Buckets

Linkage		Forestry Linkage				
Bucket Type		High Dump – Hook-On – VCE Large			Woodchip – Hook-On – Fusion	Woodchip – Pin-On
Edge Type		Bolt-On Cutting Edges	Bolt-On Cutting Edges	Bolt-On Cutting Edges	Bolt-On Cutting Edges	Bolt-On Cutting Edges
Capacity – Rated	m ³	7.60	9.20	11.10	11.90	11.90
	yd ³	10.00	12.00	14.50	15.50	15.50
Capacity – Rated at 110% Fill Factor	m ³	8.40	10.10	12.20	13.10	13.10
	yd ³	11.00	13.25	16.00	17.25	17.25
Width	mm	3350	3656	3656	3943	3943
	ft/in	10'11"	11'11"	11'11"	12'11"	12'11"
16 † Dump Clearance at Maximum Lift and 45° Discharge	mm	2339	2282	2127	2442	2442
	ft/in	7'8"	7'5"	6'11"	8'0"	8'0"
17 † Reach at Maximum Lift and 45° Discharge	mm	1881	1938	2094	1771	1732
	ft/in	6'2"	6'4"	6'10"	5'9"	5'8"
Reach at Level Lift Arm and Bucket Level	mm	3662	3742	3962	3511	3483
	ft/in	12'0"	12'3"	12'11"	11'6"	11'5"
A † Digging Depth	mm	71	71	71	106	134
	in	2.8"	2.8"	2.8"	4.2"	5.3"
12 † Overall Length	mm	9871	9951	10 171	9724	9719
	ft/in	32'5"	32'8"	33'5"	31'11"	31'11"
B † Overall Height with Bucket at Maximum Lift	mm	6496	6578	6802	6680	6689
	ft/in	21'4"	21'7"	22'4"	21'11"	22'0"
Loader Clearance Circle Radius with Bucket at Carry Position	mm	7818	7980	8051	8055	8026
	ft/in	25'8"	26'3"	26'5"	26'6"	26'4"
Static Tipping Load, Straight (With tire deflection)	kg	16 572	16 289	15 913	18 714	18 935
	lb	36,525	35,901	35,073	41,245	41,732
Static Tipping Load, Straight (No tire deflection)	kg	17 975	17 700	17 346	20 361	20 529
	lb	39,617	39,011	38,232	44,876	45,245
Static Tipping Load, Articulated (With tire deflection)	kg	14 225	13 947	13 586	16 151	16 399
	lb	31,352	30,740	29,944	35,597	36,143
Static Tipping Load, Articulated (No tire deflection)	kg	15 655	15 385	15 047	17 817	18 014
	lb	34,505	33,910	33,164	39,269	39,703
Breakout Force (§)	kN	132	126	113	139	141
	lbf	29,808	28,395	25,413	31,266	31,780
Operating Weight*	kg	26 535	26 750	26 958	26 085	25 620
	lb	58,482	58,956	59,414	57,490	56,465

* Static tipping loads and operating weights shown are based on a machine configuration with Bridgestone 26.5R25 VJT L3 radial tires, full fluids, operator, axle oil cooler, logger counterweight, ride control, cold start, roading fenders, Product Link, manual diff lock/open axles (front/rear), logger package, power train guard, secondary steering and sound suppression.

† Illustration shown with Dimension charts.

(§) Measured 100 mm (4") behind tip of cutting edge with bucket hinge pin as pivot point in accordance with ISO 14397-2:2007.

(With tire deflection) Full compliance to ISO 14397-1:2007 Sections 1 thru 6, which requires 2% verification between calculations and testing.

(No tire deflection) Compliance to ISO 14397-1:2007 Sections 1 thru 5.

Other buckets are available and offerings vary by region. Consult your local Cat dealer for further details.

966 Forestry Machine Specifications

Fork Specifications

Fork Specifications

1	Tine Length	mm	1524
		in	60.0
2	Load Center	mm	762
		in	30.0
	Static Tipping Load - Straight (Forks Level)	kg	14730
		lbs	32464
	Static Tipping Load - Articulated (Forks Level)	kg	12970
		lbs	28586
	Rated Load (SAE J1197 - 50% FTSTL)	kg	6485
		lbs	14293
	Rated Load (CEN EN 474-3 Rough Terrain - 60% FTSTL)	kg	7782
		lbs	17151
	Rated Load (CEN EN 474-3 Firm and Level Ground - 80% FTSTL)	kg	10376
		lbs	22868
3	Maximum Overall Length	mm	9527
		in	375.1
4	Reach with Forks at Ground Level	mm	1126
		in	44.3
5	*Ground to Bottom of Tine at Minimum Height and Fork Level	mm	-166
		in	-6.5
6	Reach with Arms Horizontal and Forks Level	mm	1694
		in	66.7
7	Reach with Fork at Maximum Height	mm	826
		in	32.5
8	Ground to Top of Tine with Arms Horizontal and Fork Level	mm	1866
		in	73.4
9	Ground to Top of Tine at Maximum Height and Fork Level	mm	3949
		in	155.5
10	Overall Height of Fork at Full Lift (top of carriage to ground)	mm	4724
		in	186.0
11	Clearance at Full Lift and Max Dump	mm	2652
		in	104.4
12	Max Discharge Angle from Horizontal	deg	43
13	Overall Carriage Width	mm	2217
		in	87.3
14	Overall Carriage Height	mm	840
		in	33.1
15	Outside Tine Width (max spread)	mm	2070
		in	81.5
16	Outside Tine Width (min spread)	mm	470
		in	18.5
	Tine Width (single tine)	mm	150.0
		in	5.9
	Tine Thickness	mm	65.0
		in	2.6
	Tine Capacity	kg	6300
		lbs	13885
	Operating Weight	kg	23815
		lbs	52488

*Negative values indicate below grade

966 LOG

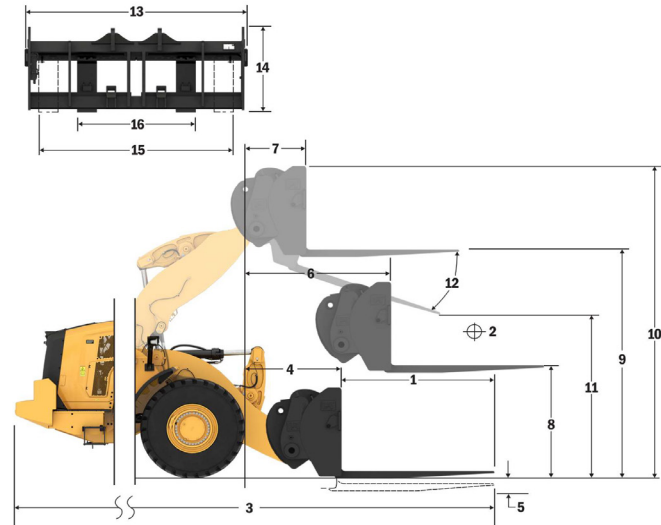
Pallet Fork, FUSION

87" Carriage

60" Tine

530-1861

548-3265



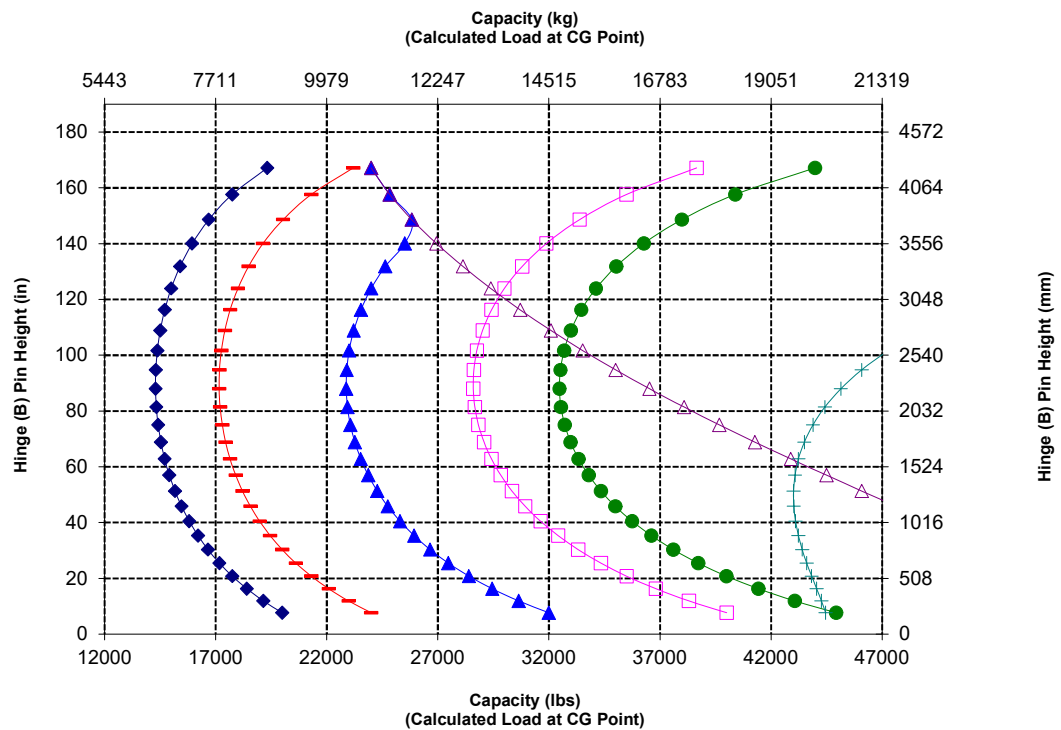
- ◆ Payload (SAE J1197)
- ◆ Payload (CEN EN 474-3 - Rough Terrain)
- ◆ Payload (CEN EN 474-3 - Firm & Level)
- ◆ Static Tipping Load - Articulated
- ◆ Static Tipping Load - Straight
- ◆ Hydraulic TIR Capacity
- ◆ Hydraulic Lift Capacity

NOTE: Static tipping loads and operating weight are based on the following loader configuration: Bridgestone VJT L3 Tires, Air Conditioning, Ride Control, Powertrain Guard, Full Fluids, Fuel Tank, Coolant, Lubricants, and Operator.

Specifications and ratings conform to the following standards: SAE* J1197, ISO 14397-1, CEN** EN 474-3.

The rated operating load for a loader equipped with a pallet fork is determined by:
SAE J1197: 50% of full turn static tipping load or hydraulic limit.
CEN EN 474-3: 60% of full turn static tipping load on rough terrain or hydraulic limit.
CEN EN 474-3: 80% of full turn static tipping load on firm and level ground or hydraulic limit.

*SAE - Society of Automotive Engineers
**CEN - European Committee for Standardization



WARNING: Do not exceed tine load capacity. Individual tine capacity is stamped on the side of each tine.

966 Forestry Machine Specifications

Fork Specifications

Fork Specifications

1	Tine Length	mm	1830
		in	72.0
2	Load Center	mm	915
		in	36.0
	Static Tipping Load - Straight (Forks Level)	kq	14047
		lbs	30960
	Static Tipping Load - Articulated (Forks Level)	kq	12364
		lbs	27251
	Rated Load (SAE J1197 - 50% FTSTL)	kq	6182
		lbs	13625
	Rated Load (CEN EN 474-3 Rough Terrain - 60% FTSTL)	kq	7418
		lbs	16350
	Rated Load (CEN EN 474-3 Firm and Level Ground - 80% FTSTL)	kq	9594
		lbs	21146
3	Maximum Overall Length	mm	9833
		in	387.1
4	Reach with Forks at Ground Level	mm	1126
		in	44.3
5	*Ground to Bottom of Tine at Minimum Height and Fork Level	mm	-166
		in	-6.5
6	Reach with Arms Horizontal and Forks Level	mm	1694
		in	66.7
7	Reach with Fork at Maximum Height	mm	826
		in	32.5
8	Ground to Top of Tine with Arms Horizontal and Fork Level	mm	1866
		in	73.4
9	Ground to Top of Tine at Maximum Height and Fork Level	mm	3949
		in	155.5
10	Overall Height of Fork at Full Lift (top of carriage to ground)	mm	4724
		in	186.0
11	Clearance at Full Lift and Max Dump	mm	2444
		in	96.2
12	Max Discharge Angle from Horizontal	deg	43
13	Overall Carriage Width	mm	2217
		in	87.3
14	Overall Carriage Height	mm	840
		in	33.1
15	Outside Tine Width (max spread)	mm	2070
		in	81.5
16	Outside Tine Width (min spread)	mm	470
		in	18.5
	Tine Width (single tine)	mm	150.0
		in	5.9
	Tine Thickness	mm	65.0
		in	2.6
	Tine Capacity	kq	5246
		lbs	11562
	Operating Weight	kq	23862
		lbs	52592

*Negative values indicate below grade

966 LOG

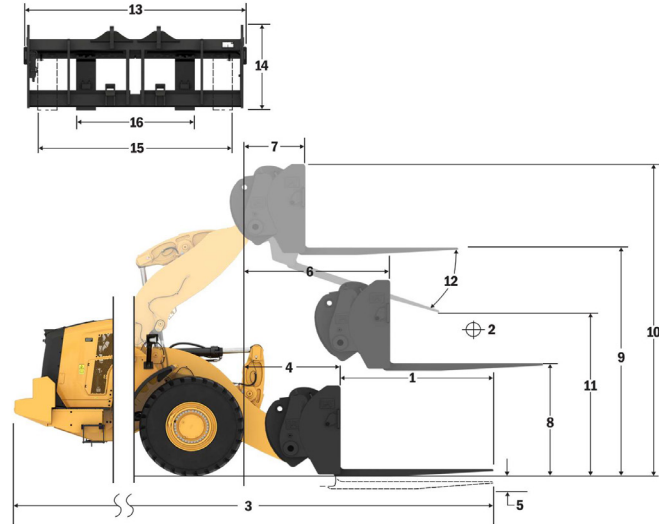
Pallet Fork, FUSION

87" Carriage

72" Tine

530-1861

530-1869



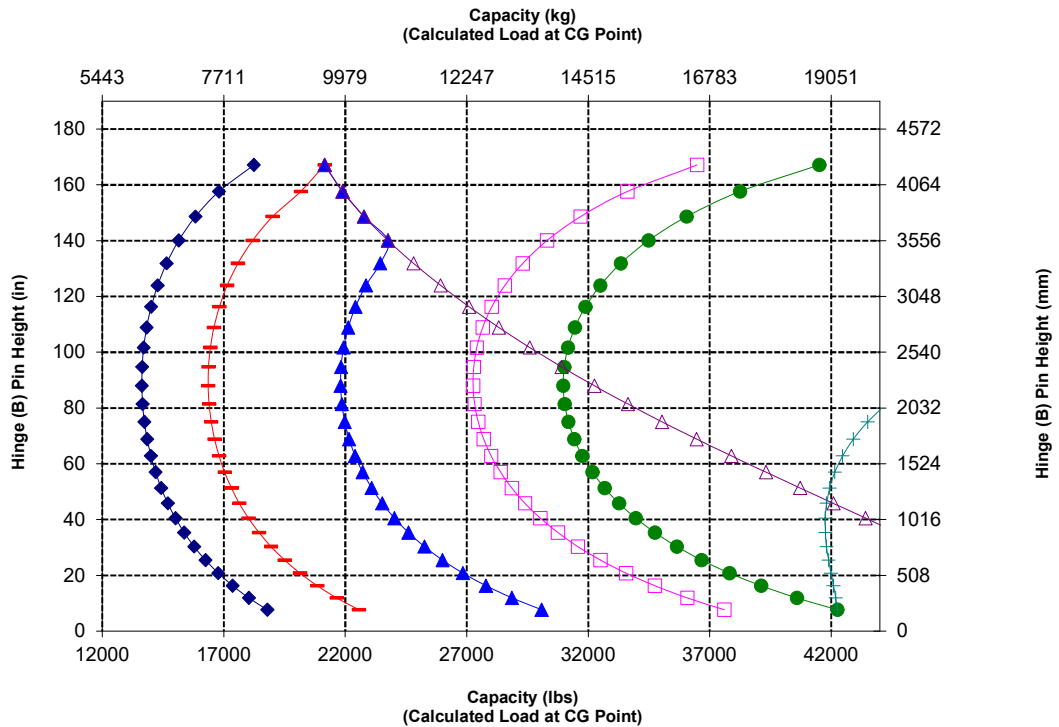
- ◆ Payload (SAE J1197)
- ◆ Payload (CEN EN 474-3 - Rough Terrain)
- ◆ Payload (CEN EN 474-3 - Firm & Level)
- ◆ Static Tipping Load - Articulated
- ◆ Static Tipping Load - Straight
- ◆ Hydraulic TR Capacity
- ◆ Hydraulic LR Capacity

NOTE: Static tipping loads and operating weight are based on the following loader configuration: Bridgestone VJT L3 Tires, Air Conditioning, Ride Control, Powertrain Guard, Full Fluids, Fuel Tank, Coolant, Lubricants, and Operator.

Specifications and ratings conform to the following standards: SAE* J1197, ISO 14397-1, CEN** EN 474-3.

The rated operating load for a loader equipped with a pallet fork is determined by:
 SAE J1197: 50% of full turn static tipping load or hydraulic limit.
 CEN EN 474-3: 60% of full turn static tipping load on rough terrain or hydraulic limit.
 CEN EN 474-3: 80% of full turn static tipping load on firm and level ground or hydraulic limit.

*SAE - Society of Automotive Engineers
 **CEN - European Committee for Standardization



WARNING: Do not exceed tine load capacity. Individual tine capacity is stamped on the side of each tine.

Fork Specifications

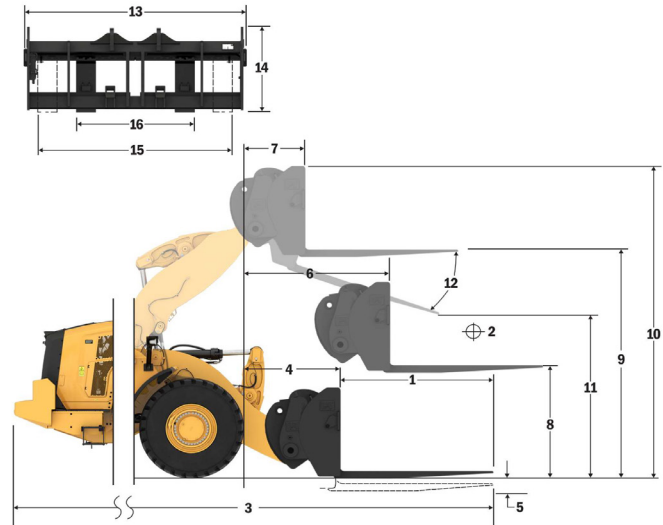
Fork Specifications

1	Tine Length	mm	1219
		in	48.0
2	Load Center	mm	610
		in	24.0
	Static Tipping Load - Straight (Forks Level)	kq	15225
		lbs	33555
	Static Tipping Load - Articulated (Forks Level)	kq	13376
		lbs	29481
	Rated Load (SAE J1197 - 50% FTSTL)	kq	6688
		lbs	14741
	Rated Load (CEN EN 474-3 Rough Terrain - 60% FTSTL)	kq	8026
		lbs	17689
	Rated Load (CEN EN 474-3 Firm and Level Ground - 80% FTSTL)	kq	10701
		lbs	23585
3	Maximum Overall Length	mm	9173
		in	361.1
4	Reach with Forks at Ground Level	mm	1077
		in	42.4
5	*Ground to Bottom of Tine at Minimum Height and Fork Level	mm	-87
		in	-3.4
6	Reach with Arms Horizontal and Forks Level	mm	1685
		in	66.3
7	Reach with Fork at Maximum Height	mm	818
		in	32.2
8	Ground to Top of Tine with Arms Horizontal and Fork Level	mm	1970
		in	77.5
9	Ground to Top of Tine at Maximum Height and Fork Level	mm	4053
		in	159.6
10	Overall Height of Fork at Full Lift (top of carriage to ground)	mm	5093
		in	200.5
11	Clearance at Full Lift and Max Dump	mm	2820
		in	111.0
12	Max Discharge Angle from Horizontal	deg	49
13	Overall Carriage Width	mm	2528
		in	99.5
14	Overall Carriage Height	mm	1130
		in	44.5
15	Outside Tine Width (max spread)	mm	2178
		in	85.7
16	Outside Tine Width (min spread)	mm	576
		in	22.7
	Tine Width (single tine)	mm	180.0
		in	7.1
	Tine Thickness	mm	90.0
		in	3.5
	Tine Capacity	kq	22200
		lbs	48929
	Operating Weight	kq	24124
		lbs	53170

*Negative values indicate below grade

966 LOG Construction Fork, FUSION

96" Carriage 48" Tine
520-7957 520-7985



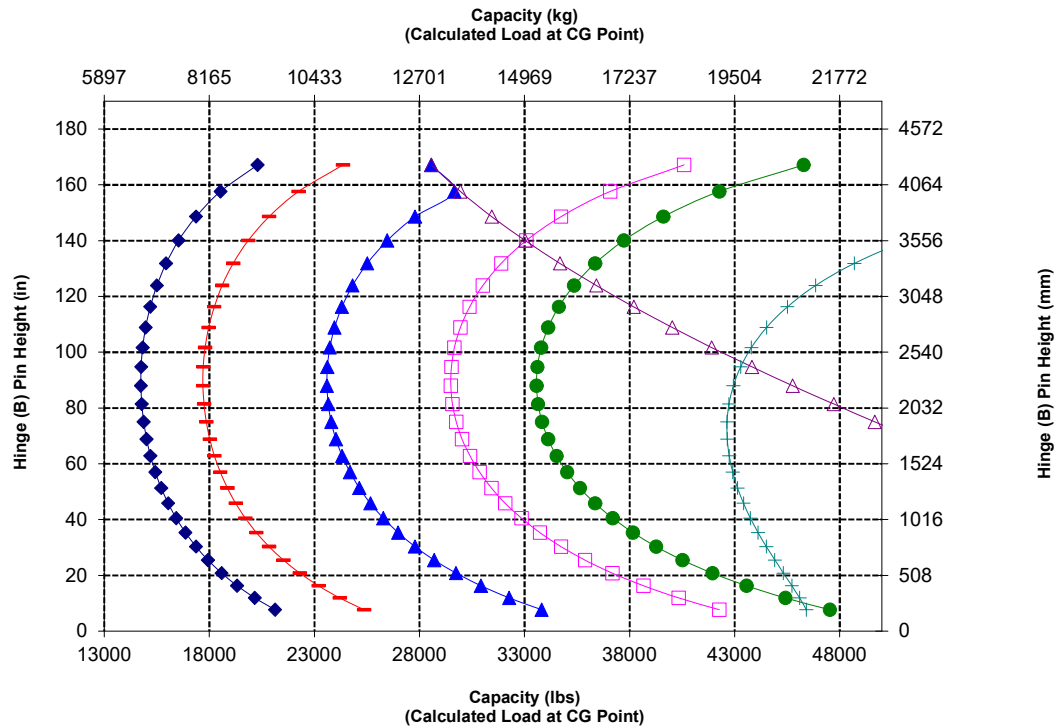
- ◆ Payload (SAE J1197)
- ◆ Payload (CEN EN 474-3 - Rough Terrain)
- ◆ Payload (CEN EN 474-3 - Firm & Level)
- ◆ Static Tipping Load - Articulated
- ◆ Static Tipping Load - Straight
- ◆ Hydraulic TR Capacity
- ◆ Hydraulic LR Capacity

NOTE: Static tipping loads and operating weight are based on the following loader configuration: Bridgestone VJT L3 Tires, Air Conditioning, Ride Control, Powertrain Guard, Full Fluids, Fuel Tank, Coolant, Lubricants, and Operator.

Specifications and ratings conform to the following standards: SAE* J1197, ISO 14397-1, CEN** EN 474-3.

The rated operating load for a loader equipped with a pallet fork is determined by:
SAE J1197: 50% of full turn static tipping load or hydraulic limit.
CEN EN 474-3: 60% of full turn static tipping load on rough terrain or hydraulic limit.
CEN EN 474-3: 80% of full turn static tipping load on firm and level ground or hydraulic limit.

*SAE - Society of Automotive Engineers
**CEN - European Committee for Standardization



WARNING: Do not exceed tine load capacity. Individual tine capacity is stamped on the side of each tine.

966 Forestry Machine Specifications

Fork Specifications

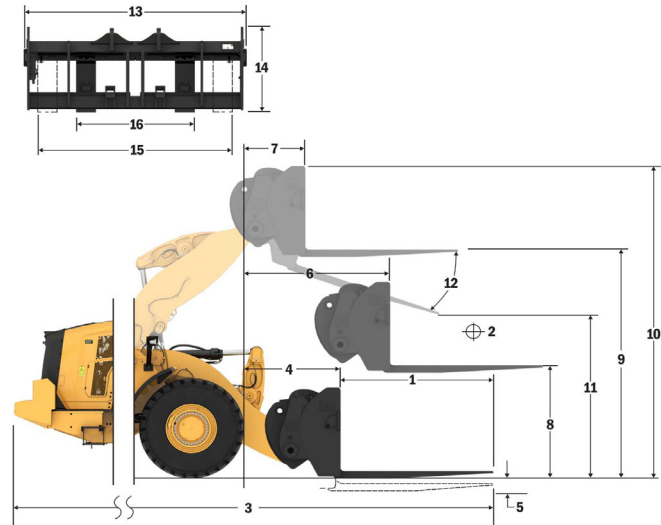
Fork Specifications

1	Tine Length	mm	1524
		in	60.0
2	Load Center	mm	762
		in	30.0
	Static Tipping Load - Straight (Forks Level)	kq	14474
		lbs	31901
	Static Tipping Load - Articulated (Forks Level)	kq	12709
		lbs	28011
	Rated Load (SAE J1197 - 50% FTSTL)	kq	6355
		lbs	14005
	Rated Load (CEN EN 474-3 Rough Terrain - 60% FTSTL)	kq	7625
		lbs	16806
	Rated Load (CEN EN 474-3 Firm and Level Ground - 80% FTSTL)	kq	10167
		lbs	22409
3	Maximum Overall Length	mm	9478
		in	373.1
4	Reach with Forks at Ground Level	mm	1077
		in	42.4
5	*Ground to Bottom of Tine at Minimum Height and Fork Level	mm	-87
		in	-3.4
6	Reach with Arms Horizontal and Forks Level	mm	1685
		in	66.4
7	Reach with Fork at Maximum Height	mm	818
		in	32.2
8	Ground to Top of Tine with Arms Horizontal and Fork Level	mm	1970
		in	77.5
9	Ground to Top of Tine at Maximum Height and Fork Level	mm	4053
		in	159.6
10	Overall Height of Fork at Full Lift (top of carriage to ground)	mm	5093
		in	200.5
11	Clearance at Full Lift and Max Dump	mm	2589
		in	101.9
12	Max Discharge Angle from Horizontal	deg	49
13	Overall Carriage Width	mm	2528
		in	99.5
14	Overall Carriage Height	mm	1130
		in	44.5
15	Outside Tine Width (max spread)	mm	2178
		in	85.7
16	Outside Tine Width (min spread)	mm	576
		in	22.7
	Tine Width (single tine)	mm	180.0
		in	7.1
	Tine Thickness	mm	90.0
		in	3.5
	Tine Capacity	kq	17800
		lbs	39231
	Operating Weight	kq	24190
		lbs	53315

*Negative values indicate below grade

966 LOG Construction Fork, FUSION

96" Carriage 60" Tine
520-7957 520-7980



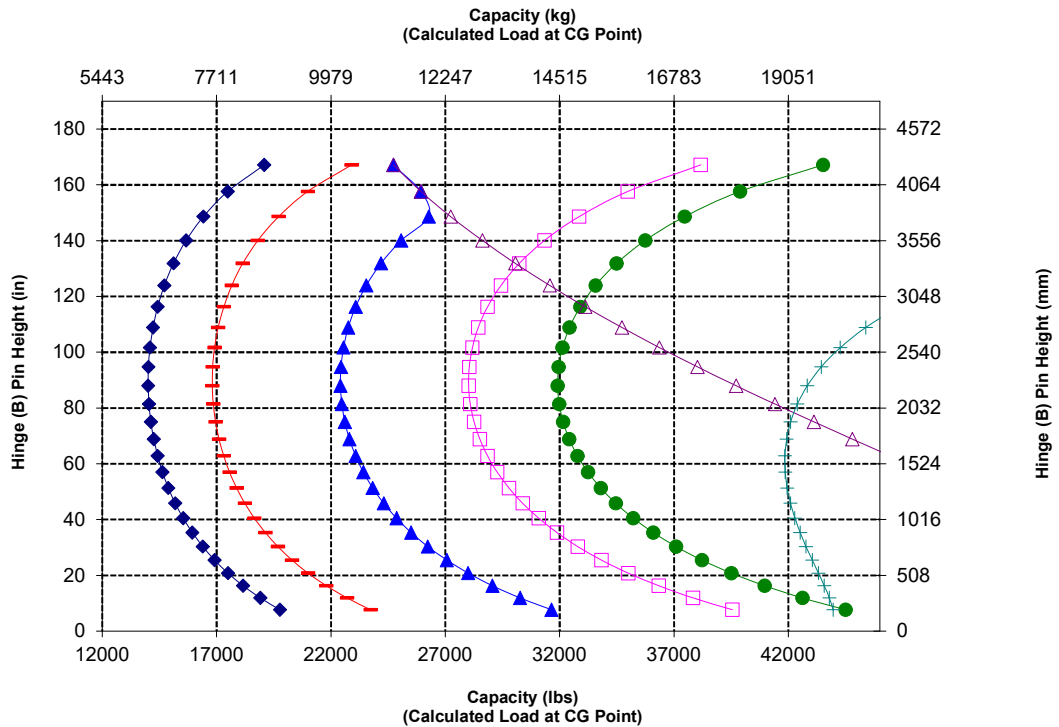
- ◆ Payload (SAE J1197)
- ◆ Payload (CEN EN 474-3 - Rough Terrain)
- ◆ Payload (CEN EN 474-3 - Firm & Level)
- ◆ Static Tipping Load - Articulated
- ◆ Static Tipping Load - Straight
- ◆ Hydraulic TR Capacity
- ◆ Hydraulic LR Capacity

NOTE: Static tipping loads and operating weight are based on the following loader configuration: Bridgestone VJT L3 Tires, Air Conditioning, Ride Control, Powertrain Guard, Full Fluids, Fuel Tank, Coolant, Lubricants, and Operator.

Specifications and ratings conform to the following standards: SAE* J1197, ISO 14397-1, CEN** EN 474-3.

The rated operating load for a loader equipped with a pallet fork is determined by:
SAE J1197: 50% of full turn static tipping load or hydraulic limit.
CEN EN 474-3: 60% of full turn static tipping load on rough terrain or hydraulic limit.
CEN EN 474-3: 80% of full turn static tipping load on firm and level ground or hydraulic limit.

*SAE - Society of Automotive Engineers
**CEN - European Committee for Standardization



WARNING: Do not exceed tine load capacity. Individual tine capacity is stamped on the side of each tine.

Fork Specifications

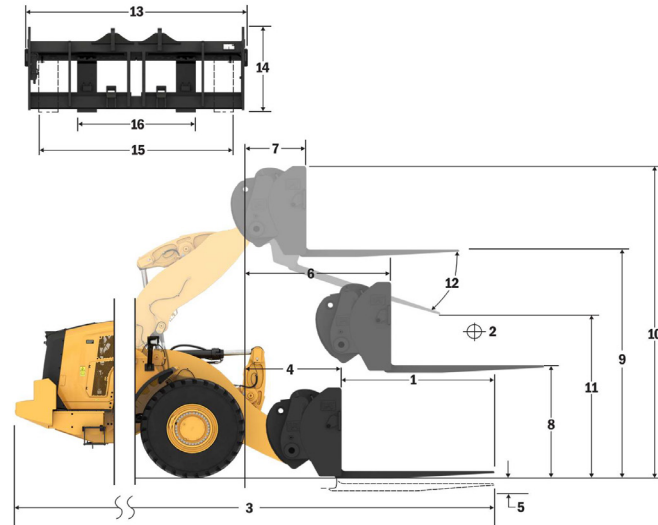
Fork Specifications

1	Tine Length	mm	1829
		in	72.0
2	Load Center	mm	915
		in	36.0
	Static Tipping Load - Straight (Forks Level)	kg	13786
		lbs	30384
	Static Tipping Load - Articulated (Forks Level)	kg	12097
		lbs	26662
	Rated Load (SAE J1197 - 50% FTSTL)	kg	6049
		lbs	13331
	Rated Load (CEN EN 474-3 Rough Terrain - 60% FTSTL)	kg	7258
		lbs	15997
	Rated Load (CEN EN 474-3 Firm and Level Ground - 80% FTSTL)	kg	9678
		lbs	21330
3	Maximum Overall Length	mm	9783
		in	385.1
4	Reach with Forks at Ground Level	mm	1077
		in	42.4
5	*Ground to Bottom of Tine at Minimum Height and Fork Level	mm	-87
		in	-3.4
6	Reach with Arms Horizontal and Forks Level	mm	1685
		in	66.4
7	Reach with Fork at Maximum Height	mm	818
		in	32.2
8	Ground to Top of Tine with Arms Horizontal and Fork Level	mm	1970
		in	77.5
9	Ground to Top of Tine at Maximum Height and Fork Level	mm	4053
		in	159.6
10	Overall Height of Fork at Full Lift (top of carriage to ground)	mm	5093
		in	200.5
11	Clearance at Full Lift and Max Dump	mm	2359
		in	92.9
12	Max Discharge Angle from Horizontal	deg	49
13	Overall Carriage Width	mm	2528
		in	99.5
14	Overall Carriage Height	mm	1130
		in	44.5
15	Outside Tine Width (max spread)	mm	2178
		in	85.7
16	Outside Tine Width (min spread)	mm	576
		in	22.7
	Tine Width (single tine)	mm	180.0
		in	7.1
	Tine Thickness	mm	90.0
		in	3.5
	Tine Capacity	kg	14800
		lbs	32619
	Operating Weight	kg	24251
		lbs	53449

*Negative values indicate below grade

966 LOG Construction Fork, FUSION

96" Carriage 72" Tine
520-7957 520-7979



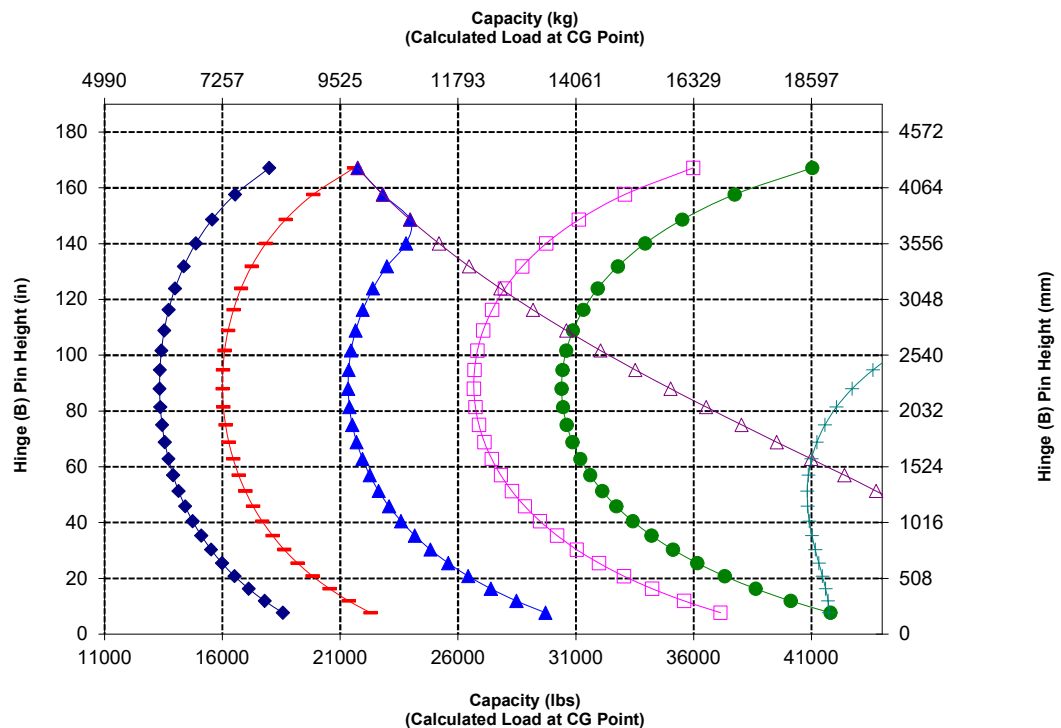
- ◆ Payload (SAE J1197)
- ◆ Payload (CEN EN 474-3 - Rough Terrain)
- ◆ Payload (CEN EN 474-3 - Firm & Level)
- ◆ Static Tipping Load - Articulated
- ◆ Static Tipping Load - Straight
- ◆ Hydraulic TIR Capacity
- ◆ Hydraulic Lift Capacity

NOTE: Static tipping loads and operating weight are based on the following loader configuration: Bridgestone VJT L3 Tires, Air Conditioning, Ride Control, Powertrain Guard, Full Fluids, Fuel Tank, Coolant, Lubricants, and Operator.

Specifications and ratings conform to the following standards: SAE* J1197, ISO 14397-1, CEN** EN 474-3.

The rated operating load for a loader equipped with a pallet fork is determined by:
SAE J1197: 50% of full turn static tipping load or hydraulic limit.
CEN EN 474-3: 60% of full turn static tipping load on rough terrain or hydraulic limit.
CEN EN 474-3: 80% of full turn static tipping load on firm and level ground or hydraulic limit.

*SAE - Society of Automotive Engineers
**CEN - European Committee for Standardization



WARNING: Do not exceed tine load capacity. Individual tine capacity is stamped on the side of each tine.

966 Forestry Machine Specifications

Fork Specifications

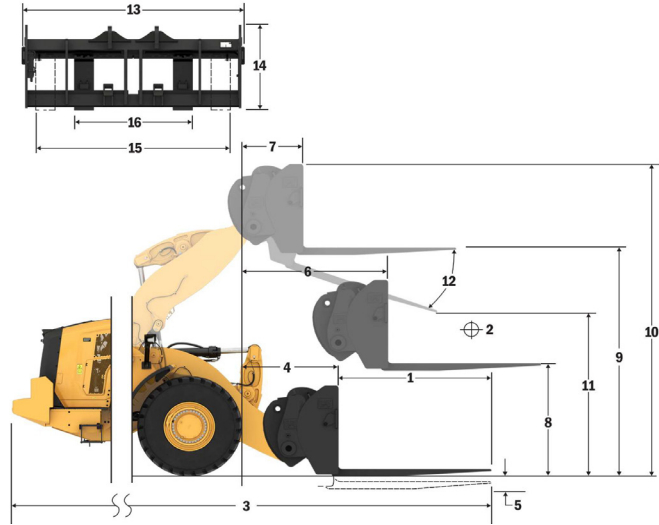
Fork Specifications

1	Tine Length	mm	2134
		in	84.0
2	Load Center	mm	1067
		in	42.0
	Static Tipping Load - Straight (Forks Level)	kq	13147
		lbs	28976
	Static Tipping Load - Articulated (Forks Level)	kq	11529
		lbs	25410
	Rated Load (SAE J1197 - 50% FTSTL)	kq	5764
		lbs	12705
	Rated Load (CEN EN 474-3 Rough Terrain - 60% FTSTL)	kq	6917
		lbs	15246
	Rated Load (CEN EN 474-3 Firm and Level Ground - 80% FTSTL)	kq	8773
		lbs	19337
3	Maximum Overall Length	mm	10088
		in	397.1
4	Reach with Forks at Ground Level	mm	1077
		in	42.4
5	*Ground to Bottom of Tine at Minimum Height and Fork Level	mm	-87
		in	-3.4
6	Reach with Arms Horizontal and Forks Level	mm	1685
		in	66.4
7	Reach with Fork at Maximum Height	mm	818
		in	32.2
8	Ground to Top of Tine with Arms Horizontal and Fork Level	mm	1970
		in	77.5
9	Ground to Top of Tine at Maximum Height and Fork Level	mm	4053
		in	159.6
10	Overall Height of Fork at Full Lift (top of carriage to ground)	mm	5093
		in	200.5
11	Clearance at Full Lift and Max Dump	mm	2128
		in	83.8
12	Max Discharge Angle from Horizontal	deg	49
13	Overall Carriage Width	mm	2528
		in	99.5
14	Overall Carriage Height	mm	1130
		in	44.5
15	Outside Tine Width (max spread)	mm	2178
		in	85.7
16	Outside Tine Width (min spread)	mm	576
		in	22.7
	Tine Width (single tine)	mm	180.0
		in	7.1
	Tine Thickness	mm	90.0
		in	3.5
	Tine Capacity	kq	12700
		lbs	27991
	Operating Weight	kq	24314
		lbs	53588

*Negative values indicate below grade

966 LOG Construction Fork, FUSION

96" Carriage 84" Tine
520-7957 520-7986



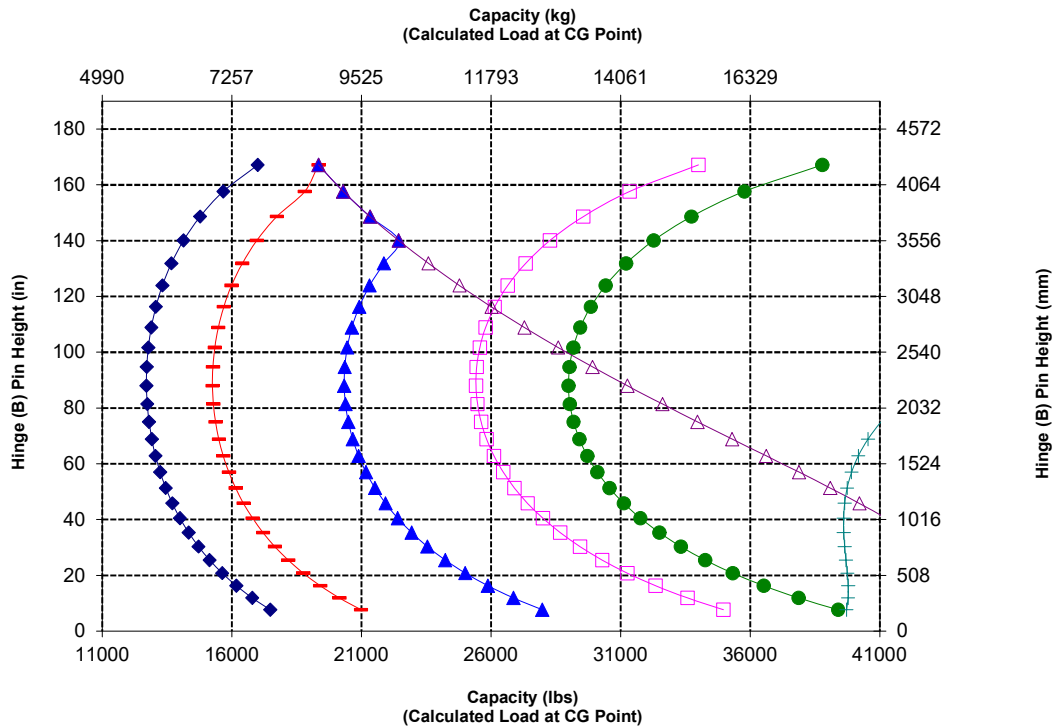
- ◆ Payload (SAE J1197)
- ◆ Payload (CEN EN 474-3 - Rough Terrain)
- ◆ Payload (CEN EN 474-3 - Firm & Level)
- ◆ Static Tipping Load - Articulated
- ◆ Static Tipping Load - Straight
- ◆ Hydraulic TR Capacity
- ◆ Hydraulic LR Capacity

NOTE: Static tipping loads and operating weight are based on the following loader configuration: Bridgestone VJT L3 Tires, Air Conditioning, Ride Control, Powertrain Guard, Full Fluids, Fuel Tank, Coolant, Lubricants, and Operator.

Specifications and ratings conform to the following standards: SAE* J1197, ISO 14397-1, CEN** EN 474-3.

The rated operating load for a loader equipped with a pallet fork is determined by:
SAE J1197: 50% of full turn static tipping load or hydraulic limit.
CEN EN 474-3: 60% of full turn static tipping load on rough terrain or hydraulic limit.
CEN EN 474-3: 80% of full turn static tipping load on firm and level ground or hydraulic limit.

*SAE - Society of Automotive Engineers
**CEN - European Committee for Standardization



WARNING: Do not exceed tine load capacity. Individual tine capacity is stamped on the side of each tine.

966 Forestry Machine Specifications

Fork Specifications

Fork Specifications

1	Tine Length	mm	2438
		in	96.0
2	Load Center	mm	1219
		in	48.0
	Static Tipping Load - Straight (Forks Level)	kg	12557
		lbs	27677
	Static Tipping Load - Articulated (Forks Level)	kg	11004
		lbs	24252
	Rated Load (SAE J1197 - 50% FTSTL)	kg	5502
		lbs	12126
	Rated Load (CEN EN 474-3 Rough Terrain - 60% FTSTL)	kg	6602
		lbs	14551
	Rated Load (CEN EN 474-3 Firm and Level Ground - 80% FTSTL)	kg	7882
		lbs	17371
3	Maximum Overall Length	mm	10392
		in	409.1
4	Reach with Forks at Ground Level	mm	1077
		in	42.4
5	*Ground to Bottom of Tine at Minimum Height and Fork Level	mm	-87
		in	-3.4
6	Reach with Arms Horizontal and Forks Level	mm	1685
		in	66.4
7	Reach with Fork at Maximum Height	mm	818
		in	32.2
8	Ground to Top of Tine with Arms Horizontal and Fork Level	mm	1970
		in	77.5
9	Ground to Top of Tine at Maximum Height and Fork Level	mm	4053
		in	159.6
10	Overall Height of Fork at Full Lift (top of carriage to ground)	mm	5093
		in	200.5
11	Clearance at Full Lift and Max Dump	mm	1899
		in	74.7
12	Max Discharge Angle from Horizontal	deg	49
13	Overall Carriage Width	mm	2528
		in	99.5
14	Overall Carriage Height	mm	1130
		in	44.5
15	Outside Tine Width (max spread)	mm	2178
		in	85.7
16	Outside Tine Width (min spread)	mm	576
		in	22.7
	Tine Width (single tine)	mm	180.0
		in	7.1
	Tine Thickness	mm	90.0
		in	3.5
	Tine Capacity	kg	11300
		lbs	24905
	Operating Weight	kg	24376
		lbs	53725

*Negative values indicate below grade

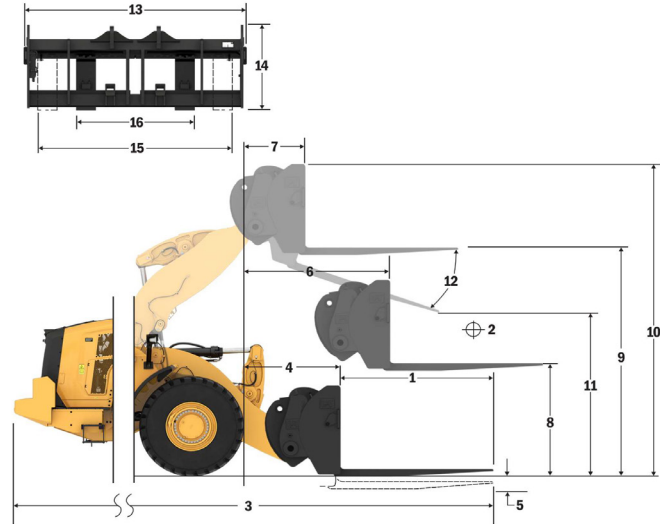
966 LOG Construction Fork, FUSION

96" Carriage

96" Tine

520-7957

520-7981



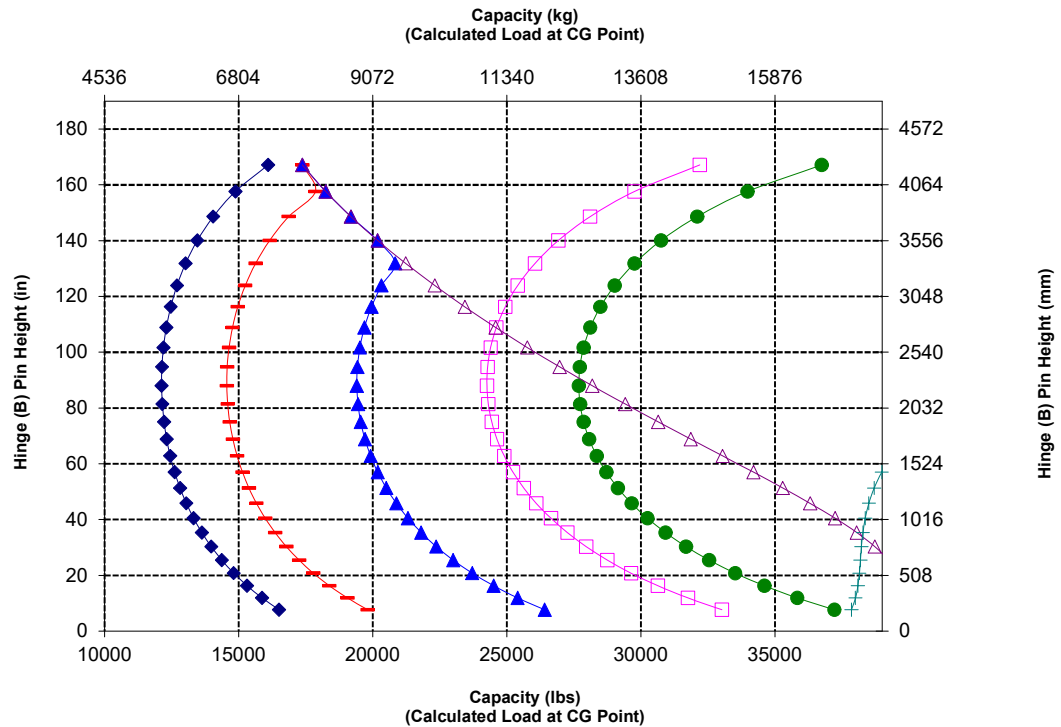
- ◆ Payload (SAE J1197)
- ◆ Payload (CEN EN 474-3 - Rough Terrain)
- ◆ Payload (CEN EN 474-3 - Firm & Level)
- ◆ Static Tipping Load - Articulated
- ◆ Static Tipping Load - Straight
- ◆ Hydraulic TIR Capacity
- ◆ Hydraulic Lift Capacity

NOTE: Static tipping loads and operating weight are based on the following loader configuration: Bridgestone VJT L3 Tires, Air Conditioning, Ride Control, Powertrain Guard, Full Fluids, Fuel Tank, Coolant, Lubricants, and Operator.

Specifications and ratings conform to the following standards: SAE* J1197, ISO 14397-1, CEN** EN 474-3.

The rated operating load for a loader equipped with a pallet fork is determined by:
SAE J1197: 50% of full turn static tipping load or hydraulic limit.
CEN EN 474-3: 60% of full turn static tipping load on rough terrain or hydraulic limit.
CEN EN 474-3: 80% of full turn static tipping load on firm and level ground or hydraulic limit.

*SAE - Society of Automotive Engineers
**CEN - European Committee for Standardization



WARNING: Do not exceed tine load capacity. Individual tine capacity is stamped on the side of each tine.

966 Forestry Machine Specifications

Fork Specifications

Fork Specifications

1	Tine Length	mm	1219
		in	48.0
2	Load Center	mm	610
		in	24.0
	Static Tipping Load - Straight (Forks Level)	kg	15184
		lbs	33466
	Static Tipping Load - Articulated (Forks Level)	kg	13336
		lbs	29392
	Rated Load (SAE J1197 - 50% FTSTL)	kg	6668
		lbs	14696
	Rated Load (CEN EN 474-3 Rough Terrain - 60% FTSTL)	kg	8001
		lbs	17635
	Rated Load (CEN EN 474-3 Firm and Level Ground - 80% FTSTL)	kg	10669
		lbs	23513
3	Maximum Overall Length	mm	9173
		in	361.1
4	Reach with Forks at Ground Level	mm	1077
		in	42.4
5	*Ground to Bottom of Tine at Minimum Height and Fork Level	mm	-87
		in	-3.4
6	Reach with Arms Horizontal and Forks Level	mm	1685
		in	66.3
7	Reach with Fork at Maximum Height	mm	818
		in	32.2
8	Ground to Top of Tine with Arms Horizontal and Fork Level	mm	1970
		in	77.5
9	Ground to Top of Tine at Maximum Height and Fork Level	mm	4053
		in	159.6
10	Overall Height of Fork at Full Lift (top of carriage to ground)	mm	5093
		in	200.5
11	Clearance at Full Lift and Max Dump	mm	2820
		in	111.0
12	Max Discharge Angle from Horizontal	deg	49
13	Overall Carriage Width	mm	2833
		in	111.5
14	Overall Carriage Height	mm	1130
		in	44.5
15	Outside Tine Width (max spread)	mm	2493
		in	98.1
16	Outside Tine Width (min spread)	mm	590
		in	23.2
	Tine Width (single tine)	mm	180.0
		in	7.1
	Tine Thickness	mm	90.0
		in	3.5
	Tine Capacity	kg	22200
		lbs	48929
	Operating Weight	kg	24177
		lbs	53286

*Negative values indicate below grade

966 LOG

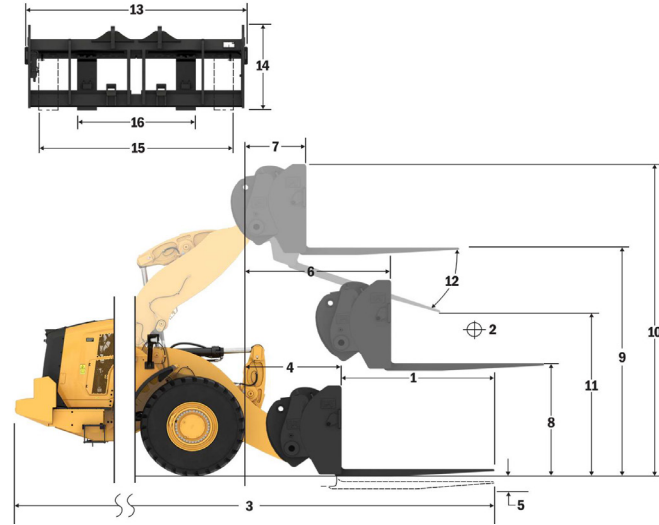
Construction Fork, FUSION

108" Carriage

48" Tine

520-7968

520-7985



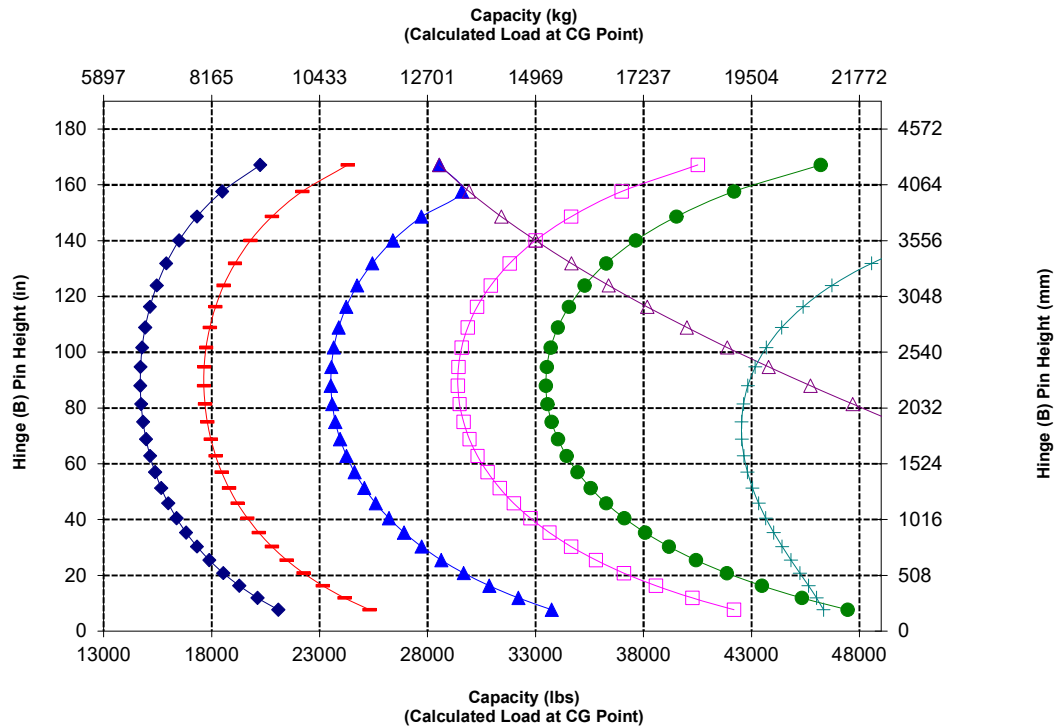
- ◆ Payload (SAE J1197)
- ◆ Payload (CEN EN 474-3 - Rough Terrain)
- ◆ Payload (CEN EN 474-3 - Firm & Level)
- ◆ Static Tipping Load - Articulated
- ◆ Static Tipping Load - Straight
- ◆ Hydraulic TIR Capacity
- ◆ Hydraulic Lift Capacity

NOTE: Static tipping loads and operating weight are based on the following loader configuration: Bridgestone VJT L3 Tires, Air Conditioning, Ride Control, Powertrain Guard, Full Fluids, Fuel Tank, Coolant, Lubricants, and Operator.

Specifications and ratings conform to the following standards: SAE* J1197, ISO 14397-1, CEN** EN 474-3.

The rated operating load for a loader equipped with a pallet fork is determined by:
SAE J1197: 50% of full turn static tipping load or hydraulic limit.
CEN EN 474-3: 60% of full turn static tipping load on rough terrain or hydraulic limit.
CEN EN 474-3: 80% of full turn static tipping load on firm and level ground or hydraulic limit.

*SAE - Society of Automotive Engineers
**CEN - European Committee for Standardization



WARNING: Do not exceed tine load capacity. Individual tine capacity is stamped on the side of each tine.

Fork Specifications

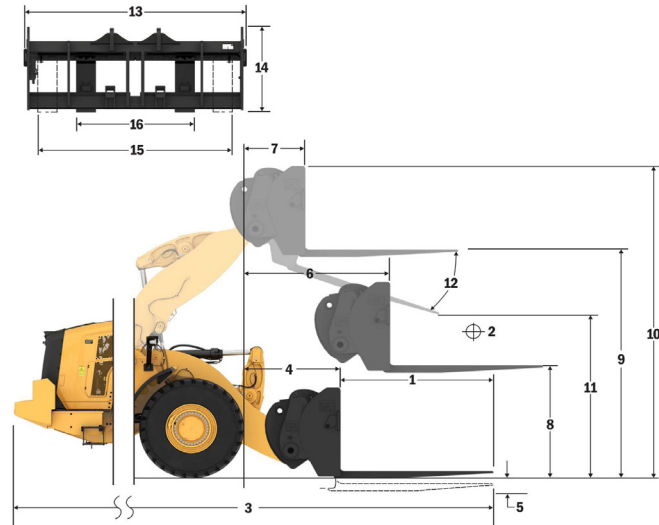
Fork Specifications

1	Tine Length	mm	1524
		in	60.0
2	Load Center	mm	762
		in	30.0
	Static Tipping Load - Straight (Forks Level)	kq	14439
		lbs	31824
	Static Tipping Load - Articulated (Forks Level)	kq	12674
		lbs	27933
	Rated Load (SAE J1197 - 50% FTSTL)	kq	6337
		lbs	13967
	Rated Load (CEN EN 474-3 Rough Terrain - 60% FTSTL)	kq	7604
		lbs	16760
	Rated Load (CEN EN 474-3 Firm and Level Ground - 80% FTSTL)	kq	10139
		lbs	22347
3	Maximum Overall Length	mm	9478
		in	373.1
4	Reach with Forks at Ground Level	mm	1077
		in	42.4
5	*Ground to Bottom of Tine at Minimum Height and Fork Level	mm	-87
		in	-3.4
6	Reach with Arms Horizontal and Forks Level	mm	1685
		in	66.4
7	Reach with Fork at Maximum Height	mm	818
		in	32.2
8	Ground to Top of Tine with Arms Horizontal and Fork Level	mm	1970
		in	77.5
9	Ground to Top of Tine at Maximum Height and Fork Level	mm	4053
		in	159.6
10	Overall Height of Fork at Full Lift (top of carriage to ground)	mm	5093
		in	200.5
11	Clearance at Full Lift and Max Dump	mm	2589
		in	101.9
12	Max Discharge Angle from Horizontal	deg	49
13	Overall Carriage Width	mm	2833
		in	111.5
14	Overall Carriage Height	mm	1130
		in	44.5
15	Outside Tine Width (max spread)	mm	2483
		in	97.8
16	Outside Tine Width (min spread)	mm	590
		in	23.2
	Tine Width (single tine)	mm	180.0
		in	7.1
	Tine Thickness	mm	90.0
		in	3.5
	Tine Capacity	kq	17800
		lbs	39231
	Operating Weight	kq	24239
		lbs	53423

*Negative values indicate below grade

966 LOG Construction Fork, FUSION

108" Carriage 60" Tine
520-7968 520-7980



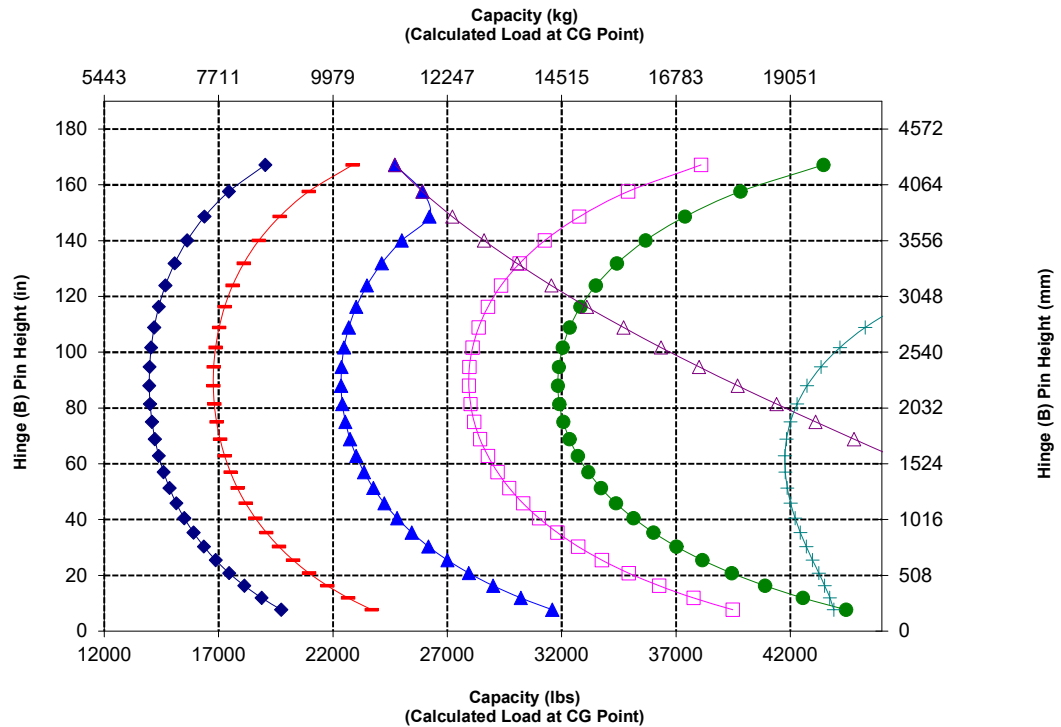
- ◆ Payload (SAE J1197)
- ◆ Payload (CEN EN 474-3 - Rough Terrain)
- ◆ Payload (CEN EN 474-3 - Firm & Level)
- ◆ Static Tipping Load - Articulated
- ◆ Static Tipping Load - Straight
- ◆ Hydraulic TR Capacity
- ◆ Hydraulic LR Capacity

NOTE: Static tipping loads and operating weight are based on the following loader configuration: Bridgestone VJT L3 Tires, Air Conditioning, Ride Control, Powertrain Guard, Full Fluids, Fuel Tank, Coolant, Lubricants, and Operator.

Specifications and ratings conform to the following standards: SAE* J1197, ISO 14397-1, CEN** EN 474-3.

The rated operating load for a loader equipped with a pallet fork is determined by:
SAE J1197: 50% of full turn static tipping load or hydraulic limit.
CEN EN 474-3: 60% of full turn static tipping load on rough terrain or hydraulic limit.
CEN EN 474-3: 80% of full turn static tipping load on firm and level ground or hydraulic limit.

*SAE - Society of Automotive Engineers
**CEN - European Committee for Standardization



WARNING: Do not exceed tine load capacity. Individual tine capacity is stamped on the side of each tine.

966 Forestry Machine Specifications

Fork Specifications

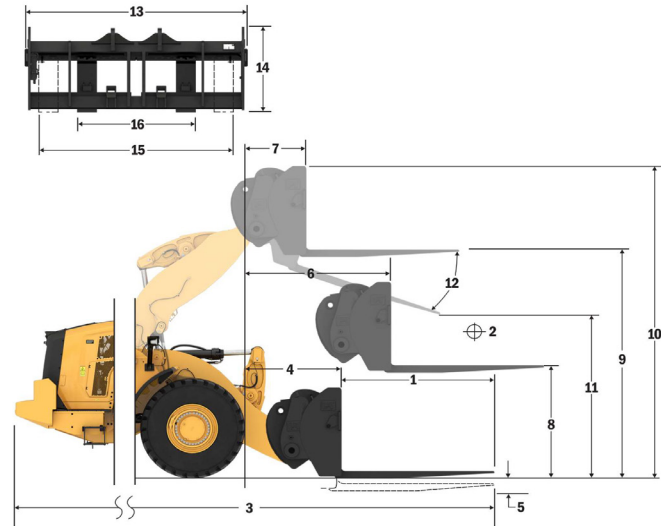
Fork Specifications

1	Tine Length	mm	1829
		in	72.0
2	Load Center	mm	915
		in	36.0
	Static Tipping Load - Straight (Forks Level)	kg	13751
		lbs	30307
	Static Tipping Load - Articulated (Forks Level)	kg	12062
		lbs	26585
	Rated Load (SAE J1197 - 50% FTSTL)	kg	6031
		lbs	13293
	Rated Load (CEN EN 474-3 Rough Terrain - 60% FTSTL)	kg	7237
		lbs	15951
	Rated Load (CEN EN 474-3 Firm and Level Ground - 80% FTSTL)	kg	9650
		lbs	21268
3	Maximum Overall Length	mm	9783
		in	385.1
4	Reach with Forks at Ground Level	mm	1077
		in	42.4
5	*Ground to Bottom of Tine at Minimum Height and Fork Level	mm	-87
		in	-3.4
6	Reach with Arms Horizontal and Forks Level	mm	1685
		in	66.4
7	Reach with Fork at Maximum Height	mm	818
		in	32.2
8	Ground to Top of Tine with Arms Horizontal and Fork Level	mm	1970
		in	77.5
9	Ground to Top of Tine at Maximum Height and Fork Level	mm	4053
		in	159.6
10	Overall Height of Fork at Full Lift (top of carriage to ground)	mm	5093
		in	200.5
11	Clearance at Full Lift and Max Dump	mm	2359
		in	92.9
12	Max Discharge Angle from Horizontal	deg	49
13	Overall Carriage Width	mm	2833
		in	111.5
14	Overall Carriage Height	mm	1130
		in	44.5
15	Outside Tine Width (max spread)	mm	2483
		in	97.8
16	Outside Tine Width (min spread)	mm	590
		in	23.2
	Tine Width (single tine)	mm	180.0
		in	7.1
	Tine Thickness	mm	90.0
		in	3.5
	Tine Capacity	kg	14800
		lbs	32619
	Operating Weight	kg	24301
		lbs	53560

*Negative values indicate below grade

966 LOG Construction Fork, FUSION

108" Carriage 72" Tine
520-7968 520-7979



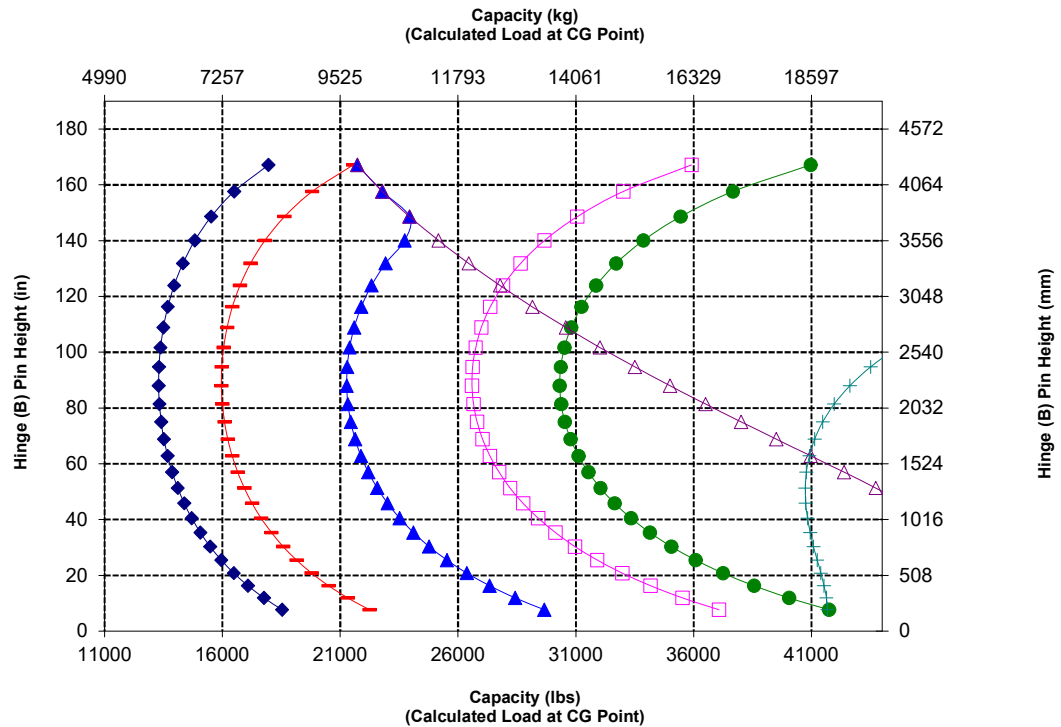
- ◆ Payload (SAE J1197)
- ◆ Payload (CEN EN 474-3 - Rough Terrain)
- ◆ Payload (CEN EN 474-3 - Firm & Level)
- ◆ Static Tipping Load - Articulated
- ◆ Static Tipping Load - Straight
- ◆ Hydraulic TIR Capacity
- ◆ Hydraulic Lift Capacity

NOTE: Static tipping loads and operating weight are based on the following loader configuration: Bridgestone VJT L3 Tires, Air Conditioning, Ride Control, Powertrain Guard, Full Fluids, Fuel Tank, Coolant, Lubricants, and Operator.

Specifications and ratings conform to the following standards: SAE* J1197, ISO 14397-1, CEN** EN 474-3.

The rated operating load for a loader equipped with a pallet fork is determined by:
SAE J1197: 50% of full turn static tipping load or hydraulic limit.
CEN EN 474-3: 60% of full turn static tipping load on rough terrain or hydraulic limit.
CEN EN 474-3: 80% of full turn static tipping load on firm and level ground or hydraulic limit.

*SAE - Society of Automotive Engineers
**CEN - European Committee for Standardization



WARNING: Do not exceed tine load capacity. Individual tine capacity is stamped on the side of each tine.

Fork Specifications

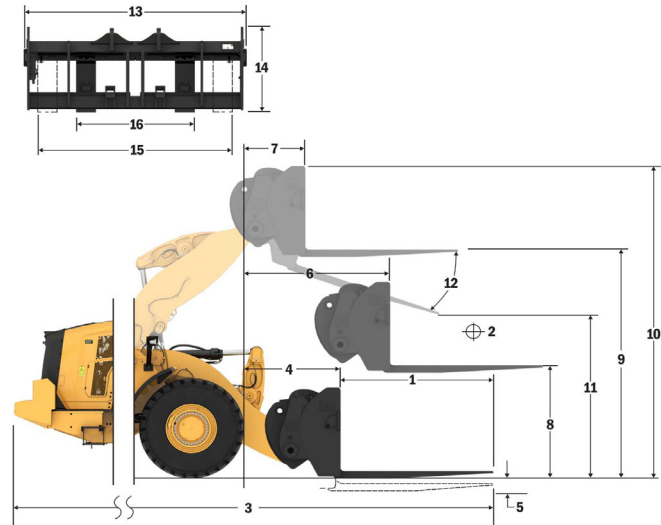
Fork Specifications

1	Tine Length	mm	2134
		in	84.0
2	Load Center	mm	1067
		in	42.0
	Static Tipping Load - Straight (Forks Level)	kq	13115
		lbs	28905
	Static Tipping Load - Articulated (Forks Level)	kq	11497
		lbs	25338
	Rated Load (SAE J1197 - 50% FTSTL)	kq	5748
		lbs	12669
	Rated Load (CEN EN 474-3 Rough Terrain - 60% FTSTL)	kq	6898
		lbs	15203
	Rated Load (CEN EN 474-3 Firm and Level Ground - 80% FTSTL)	kq	8767
		lbs	19322
3	Maximum Overall Length	mm	10088
		in	397.1
4	Reach with Forks at Ground Level	mm	1077
		in	42.4
5	*Ground to Bottom of Tine at Minimum Height and Fork Level	mm	-87
		in	-3.4
6	Reach with Arms Horizontal and Forks Level	mm	1685
		in	66.4
7	Reach with Fork at Maximum Height	mm	818
		in	32.2
8	Ground to Top of Tine with Arms Horizontal and Fork Level	mm	1970
		in	77.5
9	Ground to Top of Tine at Maximum Height and Fork Level	mm	4053
		in	159.6
10	Overall Height of Fork at Full Lift (top of carriage to ground)	mm	5093
		in	200.5
11	Clearance at Full Lift and Max Dump	mm	2128
		in	83.8
12	Max Discharge Angle from Horizontal	deg	49
13	Overall Carriage Width	mm	2833
		in	111.5
14	Overall Carriage Height	mm	1130
		in	44.5
15	Outside Tine Width (max spread)	mm	2483
		in	97.8
16	Outside Tine Width (min spread)	mm	590
		in	23.2
	Tine Width (single tine)	mm	180.0
		in	7.1
	Tine Thickness	mm	90.0
		in	3.5
	Tine Capacity	kq	12700
		lbs	27991
	Operating Weight	kq	24363
		lbs	53696

*Negative values indicate below grade

966 LOG Construction Fork, FUSION

108" Carriage 84" Tine
520-7968 520-7986



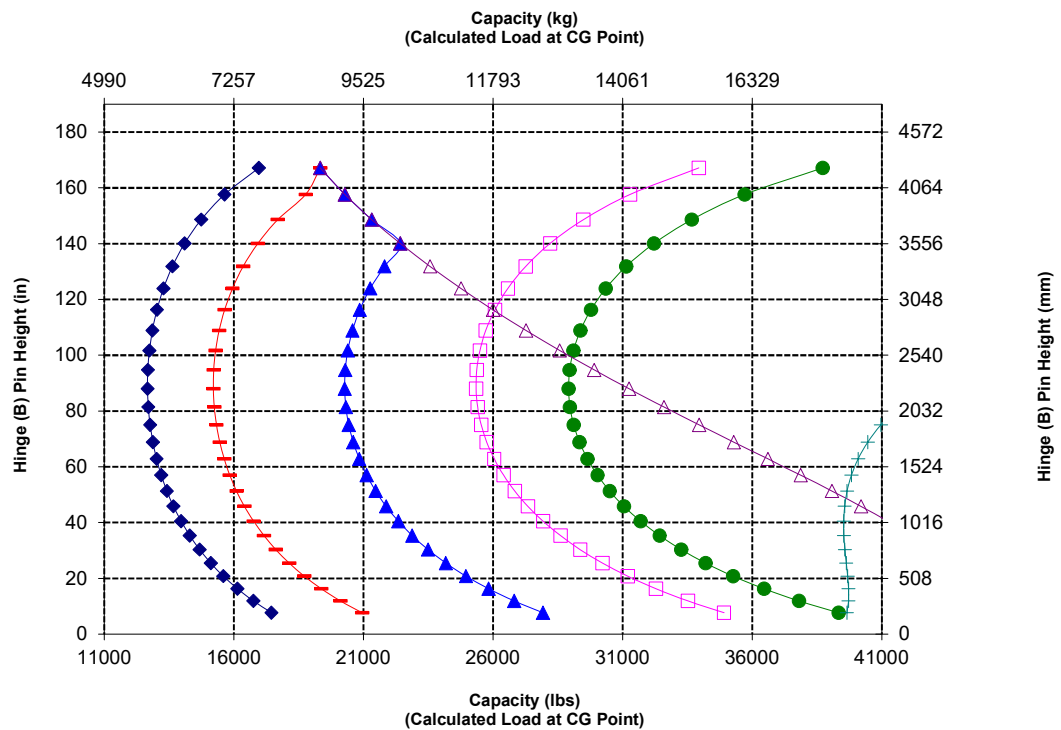
- ◆ Payload (SAE J1197)
- ◆ Payload (CEN EN 474-3 - Rough Terrain)
- ◆ Payload (CEN EN 474-3 - Firm & Level)
- ◆ Static Tipping Load - Articulated
- ◆ Static Tipping Load - Straight
- ◆ Hydraulic TR Capacity
- ◆ Hydraulic LR Capacity

NOTE: Static tipping loads and operating weight are based on the following loader configuration: Bridgestone VJT L3 Tires, Air Conditioning, Ride Control, Powertrain Guard, Full Fluids, Fuel Tank, Coolant, Lubricants, and Operator.

Specifications and ratings conform to the following standards: SAE* J1197, ISO 14397-1, CEN** EN 474-3.

The rated operating load for a loader equipped with a pallet fork is determined by:
SAE J1197: 50% of full turn static tipping load or hydraulic limit.
CEN EN 474-3: 60% of full turn static tipping load on rough terrain or hydraulic limit.
CEN EN 474-3: 80% of full turn static tipping load on firm and level ground or hydraulic limit.

*SAE - Society of Automotive Engineers
**CEN - European Committee for Standardization



WARNING: Do not exceed tine load capacity. Individual tine capacity is stamped on the side of each tine.

966 Forestry Machine Specifications

Fork Specifications

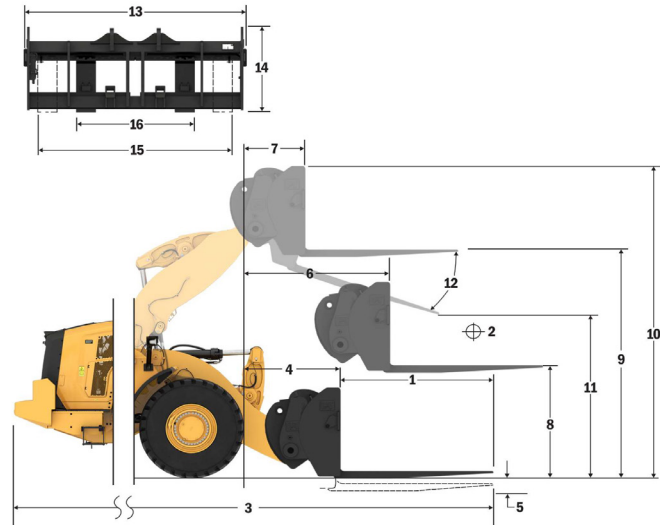
Fork Specifications

1	Tine Length	mm	2438
		in	96.0
2	Load Center	mm	1219
		in	48.0
	Static Tipping Load - Straight (Forks Level)	kg	12526
		lbs	27606
	Static Tipping Load - Articulated (Forks Level)	kg	10972
		lbs	24182
	Rated Load (SAE J1197 - 50% FTSTL)	kg	5486
		lbs	12091
	Rated Load (CEN EN 474-3 Rough Terrain - 60% FTSTL)	kg	6583
		lbs	14509
	Rated Load (CEN EN 474-3 Firm and Level Ground - 80% FTSTL)	kg	7875
		lbs	17357
3	Maximum Overall Length	mm	10392
		in	409.1
4	Reach with Forks at Ground Level	mm	1077
		in	42.4
5	*Ground to Bottom of Tine at Minimum Height and Fork Level	mm	-87
		in	-3.4
6	Reach with Arms Horizontal and Forks Level	mm	1685
		in	66.4
7	Reach with Fork at Maximum Height	mm	818
		in	32.2
8	Ground to Top of Tine with Arms Horizontal and Fork Level	mm	1970
		in	77.5
9	Ground to Top of Tine at Maximum Height and Fork Level	mm	4053
		in	159.6
10	Overall Height of Fork at Full Lift (top of carriage to ground)	mm	5093
		in	200.5
11	Clearance at Full Lift and Max Dump	mm	1899
		in	74.7
12	Max Discharge Angle from Horizontal	deg	49
13	Overall Carriage Width	mm	2833
		in	111.5
14	Overall Carriage Height	mm	1130
		in	44.5
15	Outside Tine Width (max spread)	mm	2483
		in	97.8
16	Outside Tine Width (min spread)	mm	590
		in	23.2
	Tine Width (single tine)	mm	180.0
		in	7.1
	Tine Thickness	mm	90.0
		in	3.5
	Tine Capacity	kg	11300
		lbs	24905
	Operating Weight	kg	24426
		lbs	53835

*Negative values indicate below grade

966 LOG Construction Fork, FUSION

108" Carriage 96" Tine
520-7968 520-7981



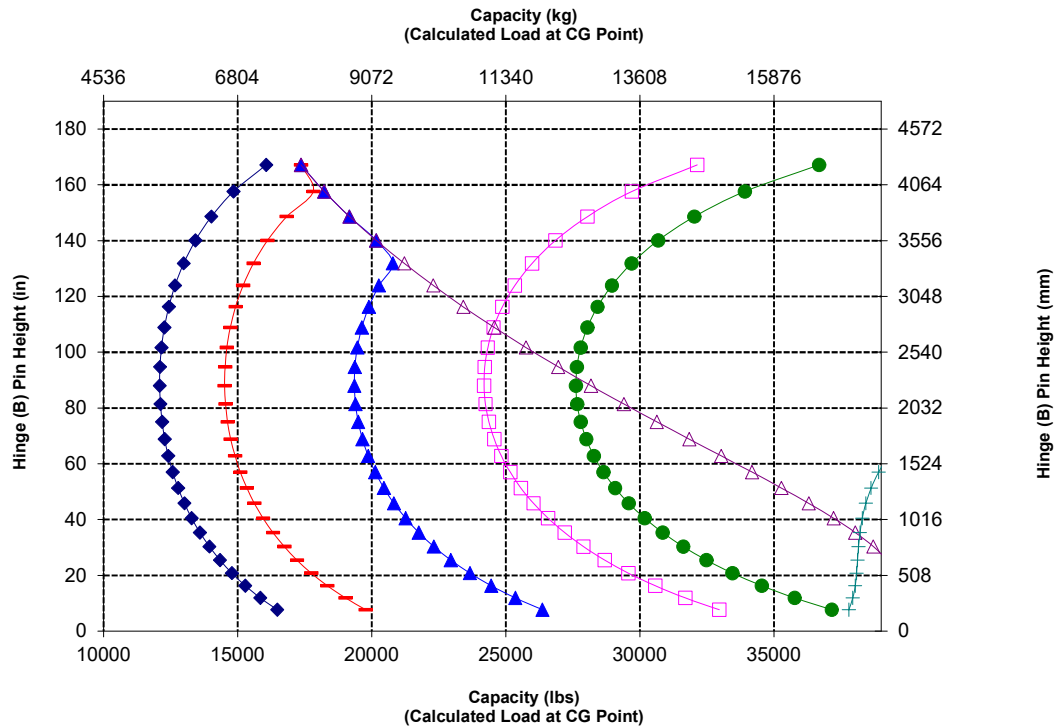
- ◆ Payload (SAE J1197)
- ◆ Payload (CEN EN 474-3 - Rough Terrain)
- ◆ Payload (CEN EN 474-3 - Firm & Level)
- ◆ Static Tipping Load - Articulated
- ◆ Static Tipping Load - Straight
- ◆ Hydraulic TIR Capacity
- ◆ Hydraulic Lift Capacity

NOTE: Static tipping loads and operating weight are based on the following loader configuration: Bridgestone VJT L3 Tires, Air Conditioning, Ride Control, Powertrain Guard, Full Fluids, Fuel Tank, Coolant, Lubricants, and Operator.

Specifications and ratings conform to the following standards: SAE* J1197, ISO 14397-1, CEN** EN 474-3.

The rated operating load for a loader equipped with a pallet fork is determined by:
SAE J1197: 50% of full turn static tipping load or hydraulic limit.
CEN EN 474-3: 60% of full turn static tipping load on rough terrain or hydraulic limit.
CEN EN 474-3: 80% of full turn static tipping load on firm and level ground or hydraulic limit.

*SAE - Society of Automotive Engineers
**CEN - European Committee for Standardization



WARNING: Do not exceed tine load capacity. Individual tine capacity is stamped on the side of each tine.

966 Forestry Machine Specifications

Fork Specifications

Fork Specifications

1	Tine Length	mm	1524
		in	60.0
2	Load Center	mm	762
		in	30.0
	Static Tipping Load - Straight (Forks Level)	kg	14343
		lbs	31612
	Static Tipping Load - Articulated (Forks Level)	kg	12597
		lbs	27763
	Rated Load (SAE J1197 - 50% FTSTL)	kg	6298
		lbs	13881
	Rated Load (CEN EN 474-3 Rough Terrain - 60% FTSTL)	kg	7558
		lbs	16658
	Rated Load (CEN EN 474-3 Firm and Level Ground - 80% FTSTL)	kg	10077
		lbs	22210
3	Maximum Overall Length	mm	9521
		in	374.8
4	Reach with Forks at Ground Level	mm	1120
		in	44.1
5	*Ground to Bottom of Tine at Minimum Height and Fork Level	mm	-88
		in	-3.5
6	Reach with Arms Horizontal and Forks Level	mm	1728
		in	68.0
7	Reach with Fork at Maximum Height	mm	860
		in	33.9
8	Ground to Top of Tine with Arms Horizontal and Fork Level	mm	1968
		in	77.5
9	Ground to Top of Tine at Maximum Height and Fork Level	mm	4052
		in	159.5
10	Overall Height of Fork at Full Lift (top of carriage to ground)	mm	5565
		in	219.1
11	Clearance at Full Lift and Max Dump	mm	2600
		in	102.4
12	Max Discharge Angle from Horizontal	deg	47
13	Overall Carriage Width	mm	2470
		in	97.3
14	Overall Carriage Height	mm	1603
		in	63.1
15	Outside Tine Width (max spread)	mm	2366
		in	93.1
16	Outside Tine Width (min spread)	mm	1002
		in	39.4
	Tine Width (single tine)	mm	180.0
		in	7.1
	Tine Thickness	mm	90.0
		in	3.5
	Tine Capacity	kg	15906
		lbs	35057
	Operating Weight	kg	24140
		lbs	53205

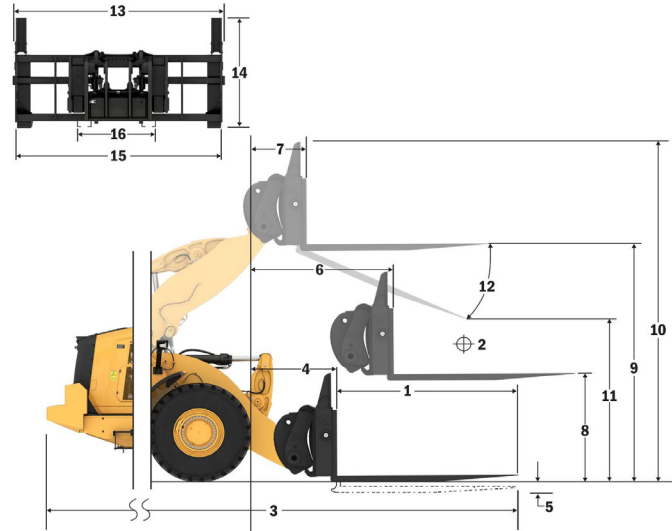
*Negative values indicate below grade

966 LOG

Log & Lumber No Clamp, FUSION

60" Tine

379-2109



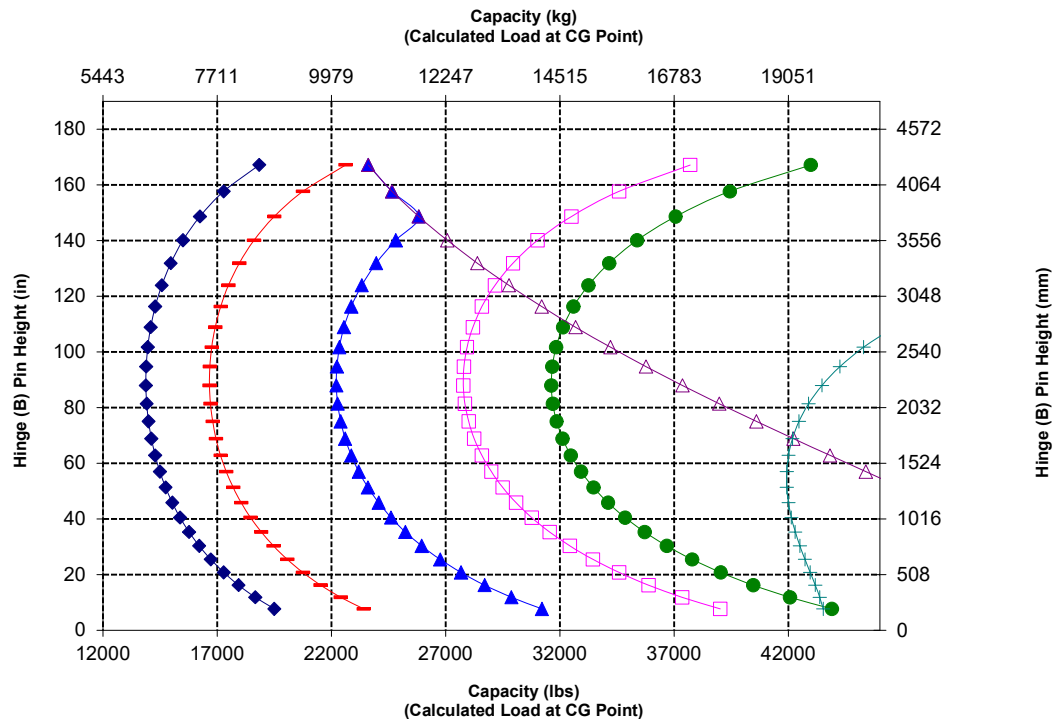
- ◆ Payload (SAE J1197)
- ◆ Payload (CEN EN 474-3 - Rough Terrain)
- ◆ Payload (CEN EN 474-3 - Firm & Level)
- ◆ Static Tipping Load - Articulated
- ◆ Static Tipping Load - Straight
- ◆ Hydraulic Tilt Capacity
- ◆ Hydraulic Lift Capacity

NOTE: Static tipping loads and operating weight are based on the following loader configuration: Bridgestone VJT L3 Tires, Air Conditioning, Ride Control, Powertrain Guard, Full Fluids, Fuel Tank, Coolant, Lubricants, and Operator.

Specifications and ratings conform to the following standards: SAE* J1197, ISO 14397-1, CEN** EN 474-3.

The rated operating load for a loader equipped with a pallet fork is determined by:
 SAE J1197: 50% of full turn static tipping load or hydraulic limit.
 CEN EN 474-3: 60% of full turn static tipping load on rough terrain or hydraulic limit.
 CEN EN 474-3: 80% of full turn static tipping load on firm and level ground or hydraulic limit.

*SAE - Society of Automotive Engineers
 **CEN - European Committee for Standardization



WARNING: Do not exceed tine load capacity. Individual tine capacity is stamped on the side of each tine.

966 Forestry Machine Specifications

Fork Specifications

Fork Specifications

1	Tine Length	mm	1829
		in	72.0
2	Load Center	mm	915
		in	36.0
	Static Tipping Load - Straight (Forks Level)	kq	13665
		lbs	30118
	Static Tipping Load - Articulated (Forks Level)	kq	11994
		lbs	26435
	Rated Load (SAE J1197 - 50% FTSTL)	kq	5997
		lbs	13217
	Rated Load (CEN EN 474-3 Rough Terrain - 60% FTSTL)	kq	7196
		lbs	15861
	Rated Load (CEN EN 474-3 Firm and Level Ground - 80% FTSTL)	kq	9443
		lbs	20812
3	Maximum Overall Length	mm	9826
		in	386.8
4	Reach with Forks at Ground Level	mm	1120
		in	44.1
5	*Ground to Bottom of Tine at Minimum Height and Fork Level	mm	-88
		in	-3.5
6	Reach with Arms Horizontal and Forks Level	mm	1728
		in	68.0
7	Reach with Fork at Maximum Height	mm	860
		in	33.9
8	Ground to Top of Tine with Arms Horizontal and Fork Level	mm	1968
		in	77.5
9	Ground to Top of Tine at Maximum Height and Fork Level	mm	4052
		in	159.5
10	Overall Height of Fork at Full Lift (top of carriage to ground)	mm	5565
		in	219.1
11	Clearance at Full Lift and Max Dump	mm	2377
		in	93.6
12	Max Discharge Angle from Horizontal	deg	47
13	Overall Carriage Width	mm	2470
		in	97.3
14	Overall Carriage Height	mm	1603
		in	63.1
15	Outside Tine Width (max spread)	mm	2366
		in	93.1
16	Outside Tine Width (min spread)	mm	1002
		in	39.4
	Tine Width (single tine)	mm	180.0
		in	7.1
	Tine Thickness	mm	90.0
		in	3.5
	Tine Capacity	kq	12600
		lbs	27770
	Operating Weight	kq	24202
		lbs	53341

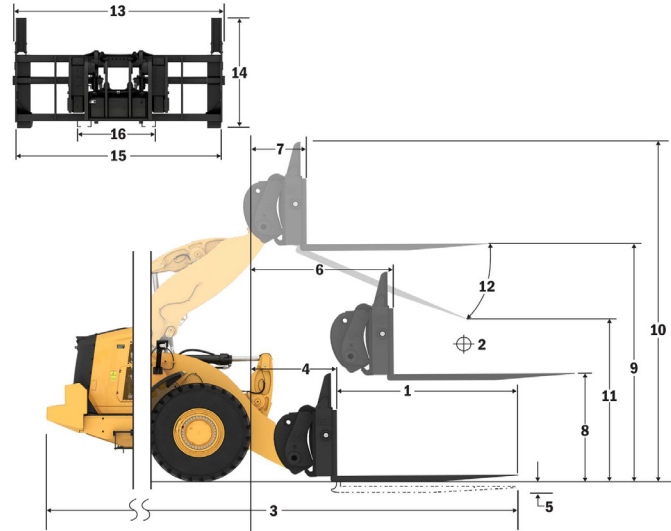
*Negative values indicate below grade

966 LOG

Log & Lumber No Clamp, FUSION

72" Tine

379-2199



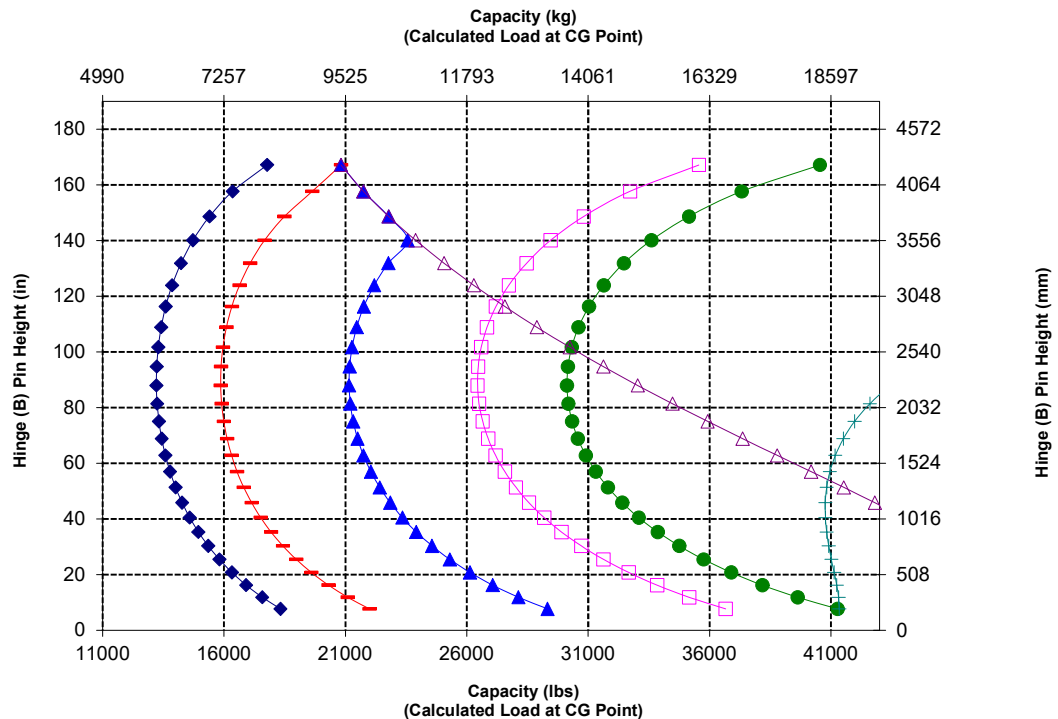
- ◆ Payload (SAE J1197)
- ◆ Payload (CEN EN 474-3 - Rough Terrain)
- ◆ Payload (CEN EN 474-3 - Firm & Level)
- ◆ Static Tipping Load - Articulated
- ◆ Static Tipping Load - Straight
- ◆ Hydraulic Tilt Capacity
- ◆ Hydraulic Lift Capacity

NOTE: Static tipping loads and operating weight are based on the following loader configuration: Bridgestone VJT L3 Tires, Air Conditioning, Ride Control, Powertrain Guard, Full Fluids, Fuel Tank, Coolant, Lubricants, and Operator.

Specifications and ratings conform to the following standards: SAE* J1197, ISO 14397-1, CEN** EN 474-3.

The rated operating load for a loader equipped with a pallet fork is determined by:
 SAE J1197: 50% of full turn static tipping load or hydraulic limit.
 CEN EN 474-3: 60% of full turn static tipping load on rough terrain or hydraulic limit.
 CEN EN 474-3: 80% of full turn static tipping load on firm and level ground or hydraulic limit.

*SAE - Society of Automotive Engineers
 **CEN - European Committee for Standardization



WARNING: Do not exceed tine load capacity. Individual tine capacity is stamped on the side of each tine.

966 Forestry Machine Specifications

Fork Specifications

Fork Specifications

1	Tine Length	mm	2438
		in	96.0
2	Load Center	mm	1219
		in	48.0
	Static Tipping Load - Straight (Forks Level)	kg	12453
		lbs	27445
	Static Tipping Load - Articulated (Forks Level)	kg	10914
		lbs	24055
	Rated Load (SAE J1197 - 50% FTSTL)	kg	5457
		lbs	12027
	Rated Load (CEN EN 474-3 Rough Terrain - 60% FTSTL)	kg	6548
		lbs	14433
	Rated Load (CEN EN 474-3 Firm and Level Ground - 80% FTSTL)	kg	7575
		lbs	16695
3	Maximum Overall Length	mm	10435
		in	410.8
4	Reach with Forks at Ground Level	mm	1121
		in	44.1
5	*Ground to Bottom of Tine at Minimum Height and Fork Level	mm	-88
		in	-3.5
6	Reach with Arms Horizontal and Forks Level	mm	1728
		in	68.0
7	Reach with Fork at Maximum Height	mm	861
		in	33.9
8	Ground to Top of Tine with Arms Horizontal and Fork Level	mm	1968
		in	77.5
9	Ground to Top of Tine at Maximum Height and Fork Level	mm	4052
		in	159.5
10	Overall Height of Fork at Full Lift (top of carriage to ground)	mm	5565
		in	219.1
11	Clearance at Full Lift and Max Dump	mm	1932
		in	76.1
12	Max Discharge Angle from Horizontal	deg	47
13	Overall Carriage Width	mm	2470
		in	97.3
14	Overall Carriage Height	mm	1603
		in	63.1
15	Outside Tine Width (max spread)	mm	2366
		in	93.1
16	Outside Tine Width (min spread)	mm	1002
		in	39.4
	Tine Width (single tine)	mm	180.0
		in	7.1
	Tine Thickness	mm	90.0
		in	3.5
	Tine Capacity	kg	10100
		lbs	22260
	Operating Weight	kg	24330
		lbs	53624

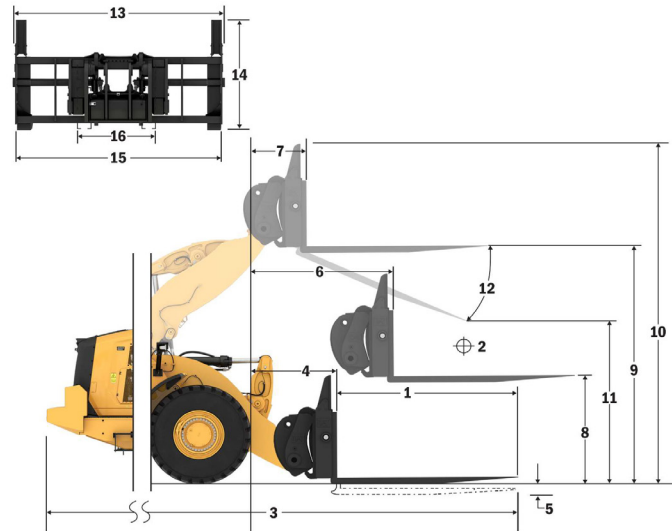
*Negative values indicate below grade

966 LOG

Log & Lumber No Clamp, FUSION

96" Tine

379-2321



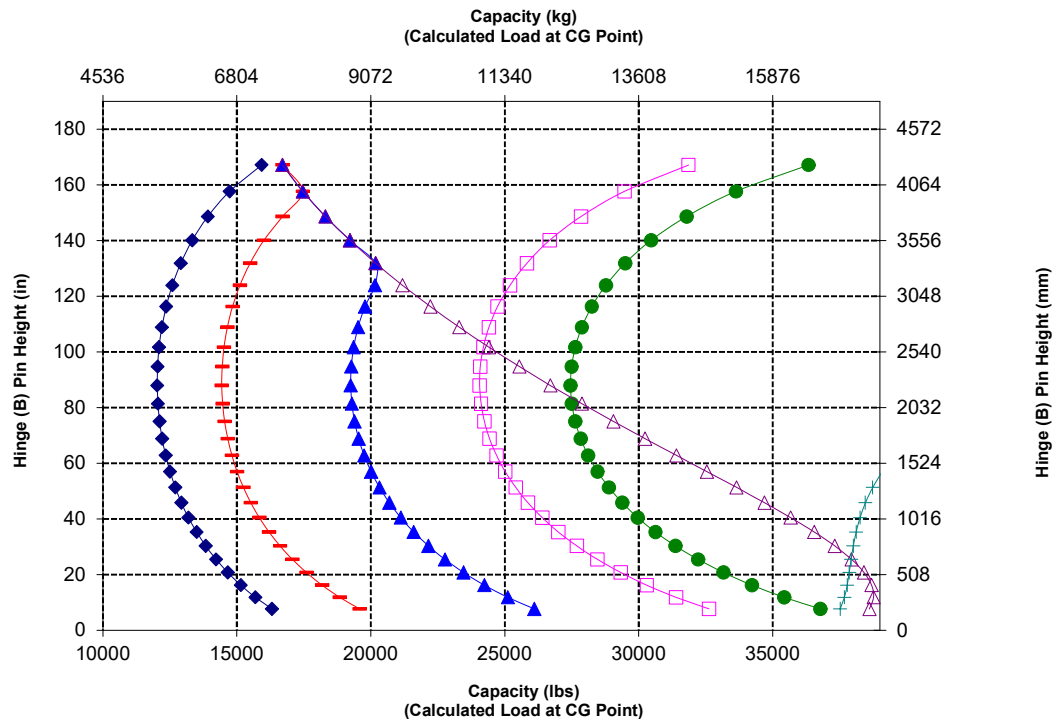
- ◆ Payload (SAE J1197)
- ◆ Payload (CEN EN 474-3 - Rough Terrain)
- ◆ Payload (CEN EN 474-3 - Firm & Level)
- ◆ Static Tipping Load - Articulated
- ◆ Static Tipping Load - Straight
- ◆ Hydraulic Tilt Capacity
- ◆ Hydraulic Lift Capacity

NOTE: Static tipping loads and operating weight are based on the following loader configuration: Bridgestone VJT L3 Tires, Air Conditioning, Ride Control, Powertrain Guard, Full Fluids, Fuel Tank, Coolant, Lubricants, and Operator.

Specifications and ratings conform to the following standards: SAE* J1197, ISO 14397-1, CEN** EN 474-3.

The rated operating load for a loader equipped with a pallet fork is determined by:
 SAE J1197: 50% of full turn static tipping load or hydraulic limit.
 CEN EN 474-3: 60% of full turn static tipping load on rough terrain or hydraulic limit.
 CEN EN 474-3: 80% of full turn static tipping load on firm and level ground or hydraulic limit.

*SAE - Society of Automotive Engineers
 **CEN - European Committee for Standardization



WARNING: Do not exceed tine load capacity. Individual tine capacity is stamped on the side of each tine.

966 Forestry Machine Specifications

Fork Specifications

Fork Specifications

1	Tine Length	mm	2438
		in	96.0
2	Load Center	mm	1219
		in	48.0
	Static Tipping Load - Straight (Forks Level)	kg	10803
		lbs	23810
	Static Tipping Load - Articulated (Forks Level)	kg	9285
		lbs	20465
	Rated Load (SAE J1197 - 50% FTSTL)	kg	4643
		lbs	10232
	Rated Load (CEN EN 474-3 Rough Terrain - 60% FTSTL)	kg	5571
		lbs	12279
	Rated Load (CEN EN 474-3 Firm and Level Ground - 80% FTSTL)	kg	6276
		lbs	13833
3	Maximum Overall Length	mm	10479
		in	412.6
4	Reach with Forks at Ground Level	mm	1164
		in	45.8
5	*Ground to Bottom of Tine at Minimum Height and Fork Level	mm	-64
		in	-2.5
6	Reach with Arms Horizontal and Forks Level	mm	1790
		in	70.5
7	Reach with Fork at Maximum Height	mm	923
		in	36.3
8	Ground to Top of Tine with Arms Horizontal and Fork Level	mm	1993
		in	78.5
9	Ground to Top of Tine at Maximum Height and Fork Level	mm	4076
		in	160.5
10	Overall Height of Fork at Full Lift (top of carriage to ground)	mm	5539
		in	218.1
11	Clearance at Full Lift and Max Dump	mm	1774
		in	69.9
12	Max Discharge Angle from Horizontal	deg	51
13	Overall Carriage Width	mm	3131
		in	123.3
14	Overall Carriage Height	mm	1553
		in	61.1
15	Outside Tine Width (max spread)	mm	2991
		in	117.8
16	Outside Tine Width (min spread)	mm	2991
		in	117.8
	Tine Width (single tine)	mm	200.0
		in	7.9
	Tine Thickness	mm	90.0
		in	3.5
	Operating Weight	kg	25869
		lbs	57015
	Active-Clamp Tine Lift Capacity	kg	7621
		lbs	16796
	Tine Capacity	kg	12701
		lbs	27993

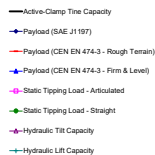
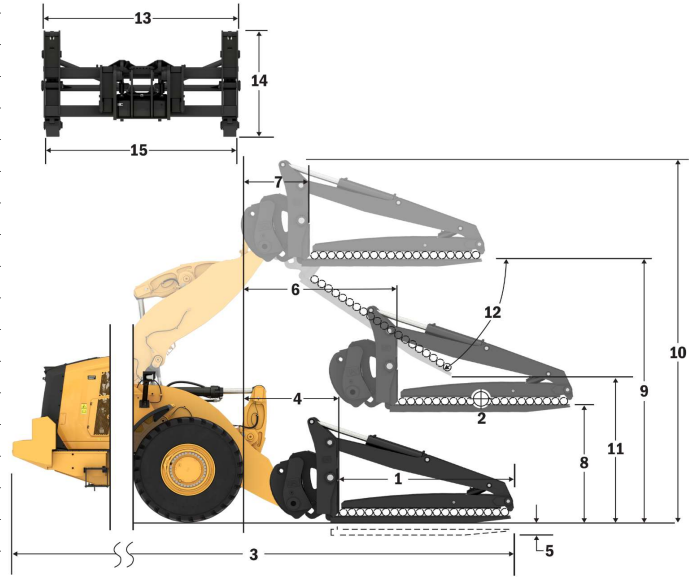
*Negative values indicate below grade

966 LOG

Pipe & Pole 3" Row, FUSION

96" Tine

365-1318

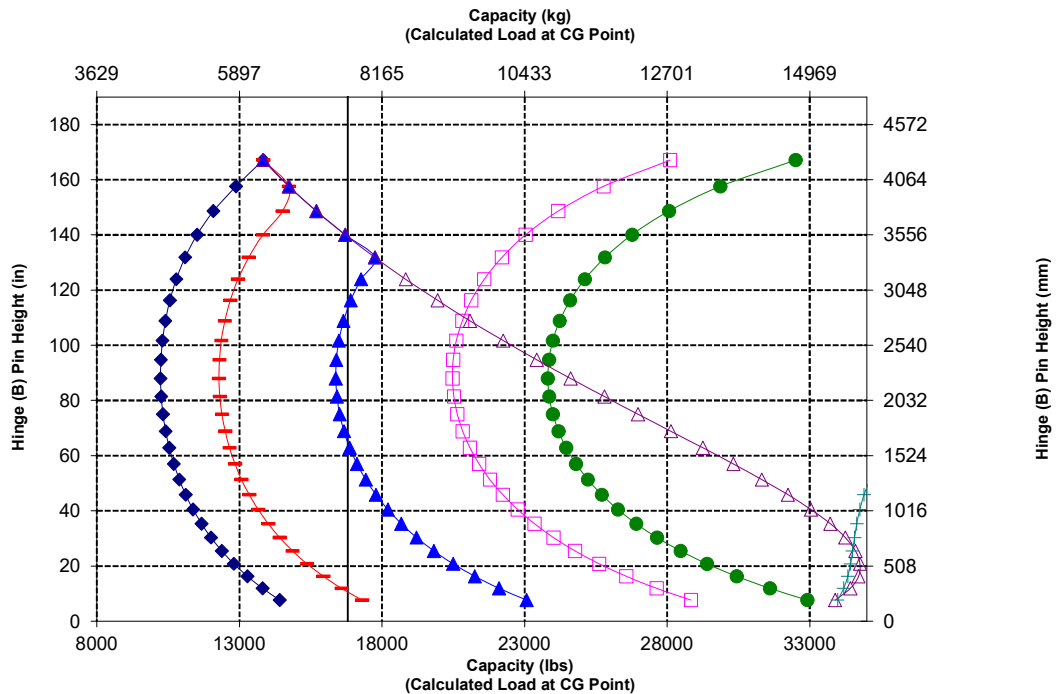


NOTE: Static tipping loads and operating weight are based on the following loader configuration: Bridgestone VJT L3 Tires, Air Conditioning, Ride Control, Powertrain Guard, Full Fluids, Fuel Tank, Coolant, Lubricants, and Operator.

Specifications and ratings conform to the following standards: SAE* J1197, ISO 14397-1, CEN** EN 474-3.

The rated operating load for a loader equipped with a pallet fork is determined by:
SAE J1197: 50% of full turn static tipping load or hydraulic limit.
CEN EN 474-3: 60% of full turn static tipping load on rough terrain or hydraulic limit.
CEN EN 474-3: 80% of full turn static tipping load on firm and level ground or hydraulic limit.

*SAE - Society of Automotive Engineers
**CEN - European Committee for Standardization



WARNING: Do not exceed tine load capacity. Individual tine capacity is stamped on the side of each tine.



WARNING: When clamp is continuously supplied with 15513 kPa (2250 psi), tine rating is 7621 kg (16796 lbs.) at 1219 mm (48") load center per pair.

Fork Specifications

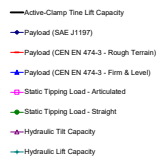
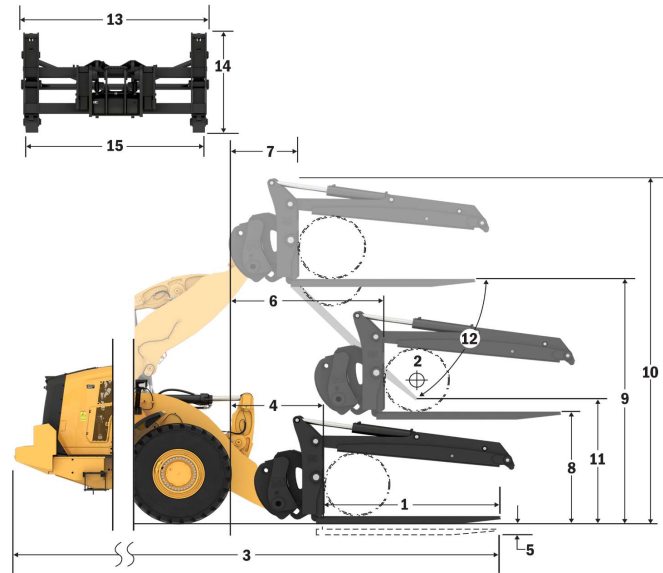
Fork Specifications

1	Tine Length	mm	2438
		in	96.0
2	Load Center	mm	1219
		in	48.0
	Static Tipping Load - Straight (Forks Level)	kg	13277
		lbs	29262
	Static Tipping Load - Articulated (Forks Level)	kg	11401
		lbs	25128
	Rated Load (SAE J1197 - 50% FTSTL)	kg	5701
		lbs	12564
	Rated Load (CEN EN 474-3 Rough Terrain - 60% FTSTL)	kg	6841
		lbs	15077
	Rated Load (CEN EN 474-3 Firm and Level Ground - 80% FTSTL)	kg	9121
		lbs	20103
3	Maximum Overall Length	mm	10479
		in	412.6
4	Reach with Forks at Ground Level	mm	1164
		in	45.8
5	*Ground to Bottom of Tine at Minimum Height and Fork Level	mm	-64
		in	-2.5
6	Reach with Arms Horizontal and Forks Level	mm	1790
		in	70.5
7	Reach with Fork at Maximum Height	mm	923
		in	36.3
8	Ground to Top of Tine with Arms Horizontal and Fork Level	mm	1993
		in	78.5
9	Ground to Top of Tine at Maximum Height and Fork Level	mm	4076
		in	160.5
10	Overall Height of Fork at Full Lift (top of carriage to ground)	mm	5539
		in	218.1
11	Clearance at Full Lift and Max Dump	mm	1774
		in	69.9
12	Max Discharge Angle from Horizontal	deg	51
13	Overall Carriage Width	mm	3131
		in	123.3
14	Overall Carriage Height	mm	1553
		in	61.1
15	Outside Tine Width (max spread)	mm	2991
		in	117.8
16	Outside Tine Width (min spread)	mm	2991
		in	117.8
	Tine Width (single tine)	mm	200.0
		in	7.9
	Tine Thickness	mm	90.0
		in	3.5
	Operating Weight	kg	25869
		lbs	57015
	Active-Clamp Tine Lift Capacity	kg	7621
		lbs	16796
	Tine Capacity	kg	12701
		lbs	27993

*Negative values indicate below grade

966 LOG Pipe & Pole 30" Row, FUSION

96" Tine
365-1318

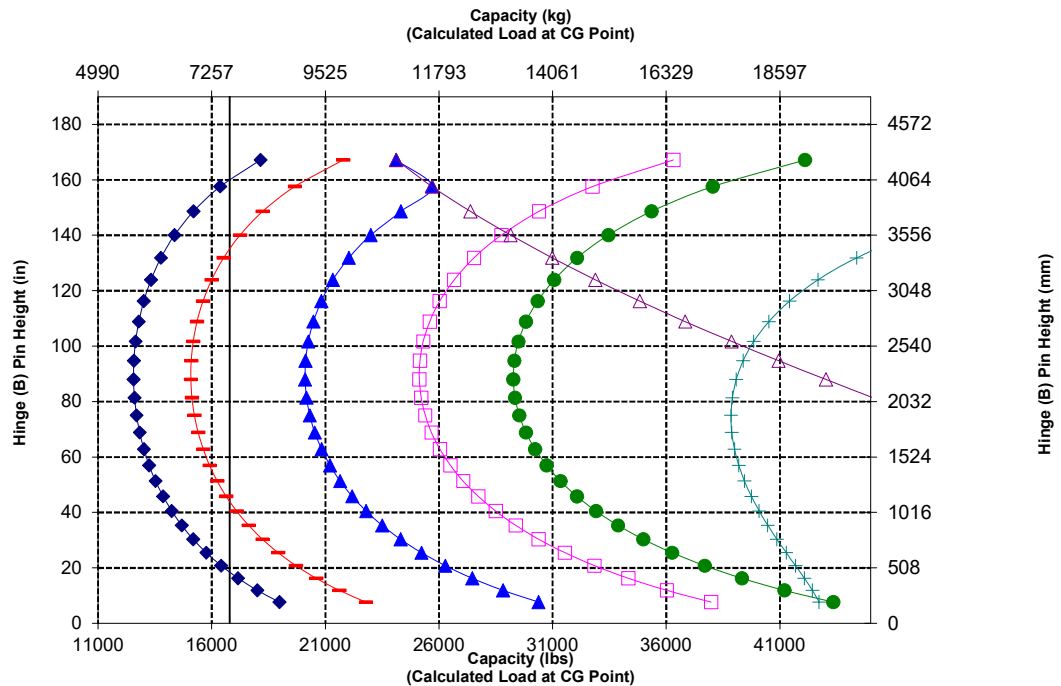


NOTE: Static tipping loads and operating weight are based on the following loader configuration: Bridgestone VJT L3 Tires, Air Conditioning, Ride Control, Powertrain Guard, Full Fluids, Fuel Tank, Coolant, Lubricants, and Operator.

Specifications and ratings conform to the following standards: SAE* J1197, ISO 14397-1, CEN** EN 474-3.

The rated operating load for a loader equipped with a pallet fork is determined by:
SAE J1197: 50% of full turn static tipping load or hydraulic limit.
CEN EN 474-3: 60% of full turn static tipping load on rough terrain or hydraulic limit.
CEN EN 474-3: 80% of full turn static tipping load on firm and level ground or hydraulic limit.

*SAE - Society of Automotive Engineers
**CEN - European Committee for Standardization



WARNING: Do not exceed tine load capacity. Individual tine capacity is stamped on the side of each tine.



WARNING: When clamp is continuously supplied with 15513 kPa (2250 psi), tine rating is 7621 kg (16796 lbs.) at 1219 mm (48") load center per pair.

966 Forestry Machine Specifications

Fork Specifications

Fork Specifications

1	Tine Length	mm	2438
		in	96.0
2	Load Center	mm	1219
		in	48.0
	Static Tipping Load - Straight (Forks Level)	kq	11165
		lbs	24608
	Static Tipping Load - Articulated (Forks Level)	kq	9653
		lbs	21275
	Rated Load (SAE J1197 - 50% FTSTL)	kq	4826
		lbs	10637
	Rated Load (CEN EN 474-3 Rough Terrain - 60% FTSTL)	kq	5792
		lbs	12765
	Rated Load (CEN EN 474-3 Firm and Level Ground - 80% FTSTL)	kq	7055
		lbs	15549
3	Maximum Overall Length	mm	10479
		in	412.6
4	Reach with Forks at Ground Level	mm	1164
		in	45.8
5	*Ground to Bottom of Tine at Minimum Height and Fork Level	mm	-64
		in	-2.5
6	Reach with Arms Horizontal and Forks Level	mm	1790
		in	70.5
7	Reach with Fork at Maximum Height	mm	923
		in	36.3
8	Ground to Top of Tine with Arms Horizontal and Fork Level	mm	1993
		in	78.5
9	Ground to Top of Tine at Maximum Height and Fork Level	mm	4076
		in	160.5
10	Overall Height of Fork at Full Lift (top of carriage to ground)	mm	7074
		in	278.5
11	Clearance at Full Lift and Max Dump	mm	1774
		in	69.9
12	Max Discharge Angle from Horizontal	deg	51
13	Overall Carriage Width	mm	3131
		in	123.3
14	Overall Carriage Height	mm	3088
		in	121.6
15	Outside Tine Width (max spread)	mm	2991
		in	117.8
16	Outside Tine Width (min spread)	mm	2991
		in	117.8
	Tine Width (single tine)	mm	200.0
		in	7.9
	Tine Thickness	mm	90.0
		in	3.5
	Operating Weight	kq	25869
		lbs	57015
	Tine Capacity	kq	12700
		lbs	27991

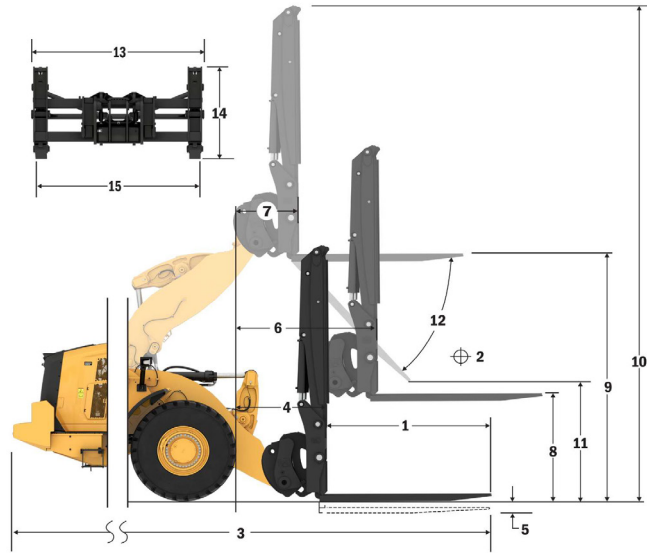
*Negative values indicate below grade

966 LOG

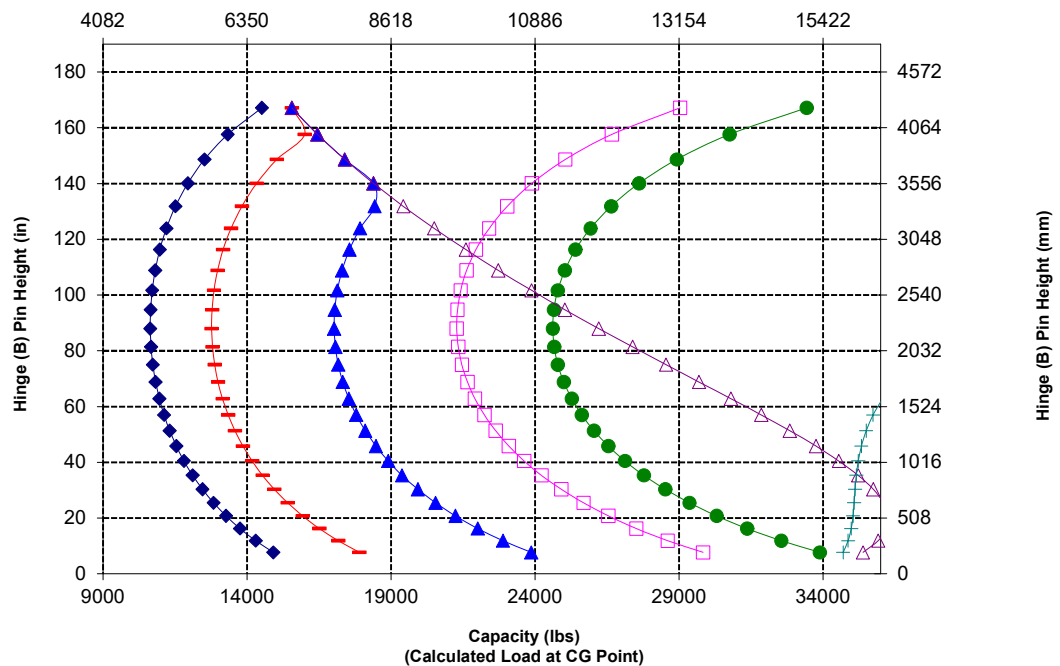
96" Tine

Pipe & Pole Open Clamp, FUSION

365-1318



Capacity (kg)
(Calculated Load at CG Point)



WARNING: Do not exceed tine load capacity. Individual tine capacity is stamped on the side of each tine.

Fork Specifications

Fork Specifications

1	Tine length	mm	1609
		in	63.3
2	Fork width	mm	2324
		in	91.5
	End area	m ²	1.26
		ft ²	14
3	Inside Height (only applies to double top clamp)	mm	0
		in	0
4	Min. opening (only applies to millyard forks)	mm	427
		in	17
	Operating Weight	kg	25632
		lbs	56509
5	Distance inside of tine tips	mm	1780
		in	70
	Static tipping load, articulated Fork level	kg	12603
		lbs	27785.7
	Static tipping load, straight Fork level	kg	14550
		lbs	32077.8
6	Max. height of fork (w/clamp open if applicable)	mm	2843
		in	111.9
7	Clearance w/full lift, 45 deg dump (if max. dump <=> 45)	mm	2765
		in	108.8
8	Clearance @ full lift fork level	mm	3987
		in	157.0
9	Reach w/full lift, 45 deg dump (if max. dump <=> 45)	mm	1511
		in	59.5
10	Reach w/lift arm horizontal and fork level	mm	3099
		in	122.0
11	*Ground to Bottom of Tool at Minimum Height and Tool Level	mm	-63
		in	-2.5
12	Width over tines	mm	2286
		in	90.0
13	Reach @ ground level	mm	2398
		in	94
14	Max. opening across tine and clamp	mm	2709
		in	106.7
15	Overall height of fork @ full lift and clamp open	mm	6830
		in	268.9
16	Overall length Tip of tine to rear of machine	mm	9275
		in	365.2
17	Clearance @ full lift and max. dump Discharge (if <=> 45)	mm	2526
		in	99.5
18	Clearance w/horizontal lift arms and fork level	mm	1903.2
		in	74.9
19	Reach @ full lift and fork level	mm	2231.4
		in	87.8
20	Max. discharge angle from horizontal	deg	60
		rad	1.0

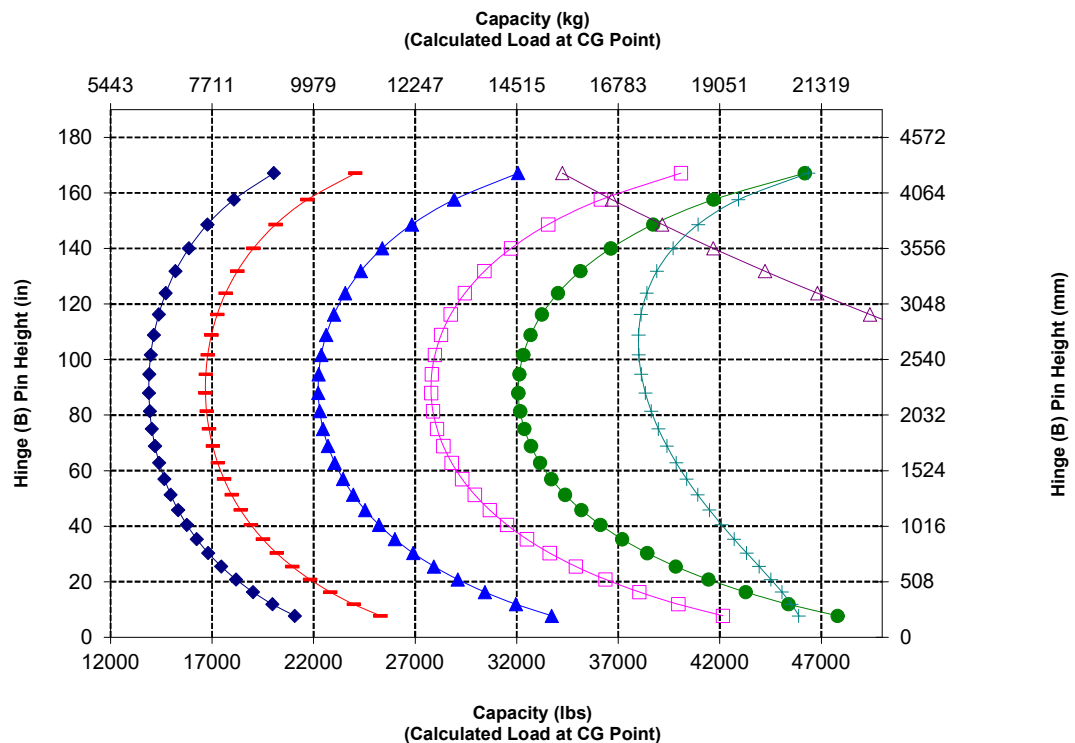
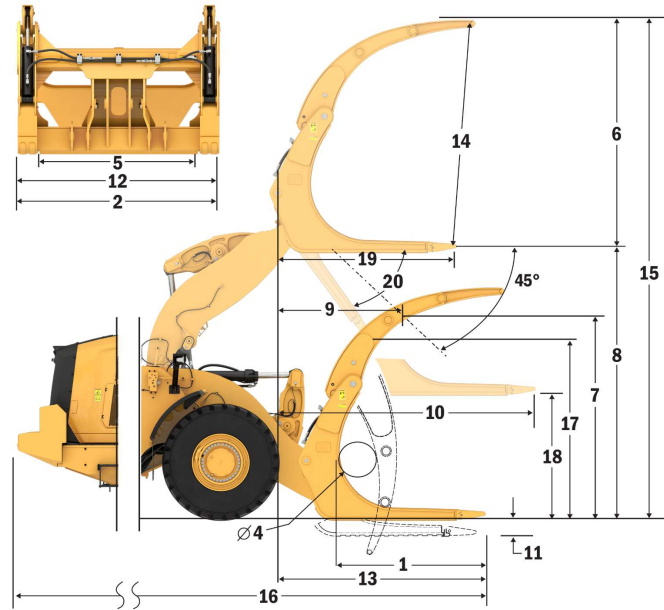
*Negative values indicate below grade

966 LOG

Millyard Fork, FUSION

63" Tine

383-3523



NOTE: Static tipping loads and operating weight are based on the following loader configuration: Bridgestone V.J.T L3 Tires, Air Conditioning, Ride Control, Powertrain Guard, Full Fluids, Fuel Tank, Coolant, Lubricants, and Operator.

Specifications and ratings conform to the following standards: SAE* J1197, ISO 14397-1, CEN** EN 474-3.

The rated operating load for a loader equipped with a pallet fork is determined by:
 SAE J1197: 50% of full turn static tipping load or hydraulic limit.
 CEN EN 474-3: 60% of full turn static tipping load on rough terrain or hydraulic limit.
 CEN EN 474-3: 80% of full turn static tipping load on firm and level ground or hydraulic limit.

*SAE - Society of Automotive Engineers
 **CEN - European Committee for Standardization

966 Forestry Machine Specifications

Fork Specifications

Fork Specifications

1	Tine length	mm	1609
		in	63.4
2	Fork width	mm	2498
		in	98.3
	End area	m ²	1.91
		ft ²	21
3	Inside Height (only applies to double top clamp)	mm	1376
		in	54
4	Min. opening (only applies to millyard forks)	mm	0
		in	0
	Operating Weight	kg	24875
		lbs	54840
5	Distance inside of tine tips	mm	1892
		in	74
	Static tipping load, articulated Fork level	kg	13196
		lbs	29092.2
	Static tipping load, straight Fork level	kg	15125
		lbs	33343.8
6	Max. height of fork (w/clamp open if applicable)	mm	2943
		in	115.9
7	Clearance w/full lift, 45 deg dump (if max. dump <= 45)	mm	2859
		in	112.5
8	Clearance @ full lift fork level	mm	3981
		in	156.7
9	Reach w/full lift, 45 deg dump (if max. dump <= 45)	mm	1409
		in	55.5
10	Reach w/lift arm horizontal and fork level	mm	2960
		in	116.5
11	*Ground to Bottom of Tool at Minimum Height and Tool Level	mm	-69
		in	-2.7
12	Width over tines	mm	2414
		in	95.0
13	Reach @ ground level	mm	2264
		in	89
14	Max. opening across tine and clamp	mm	2542
		in	100.1
15	Overall height of fork @ full lift and clamp open	mm	6925
		in	272.6
16	Overall length Tip of tine to rear of machine	mm	9141
		in	359.9
17	Clearance @ full lift and max. dump Discharge (if <= 45)	mm	2862
		in	112.7
18	Clearance w/horizontal lift arms and fork level	mm	1897.7
		in	74.7
19	Reach @ full lift and fork level	mm	2092.8
		in	82.4
20	Max. discharge angle from horizontal	deg	45
		rad	0.8
	Tine Capacity	kg	N/A
		lbs	N/A

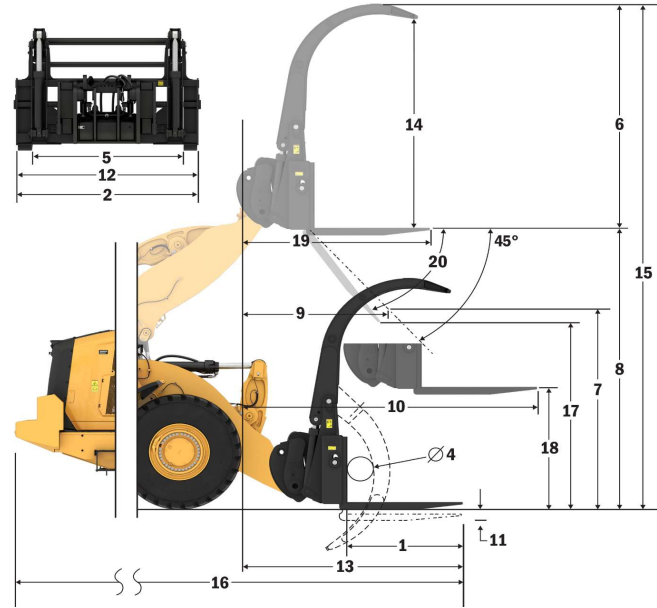
*Negative values indicate below grade

966 LOG

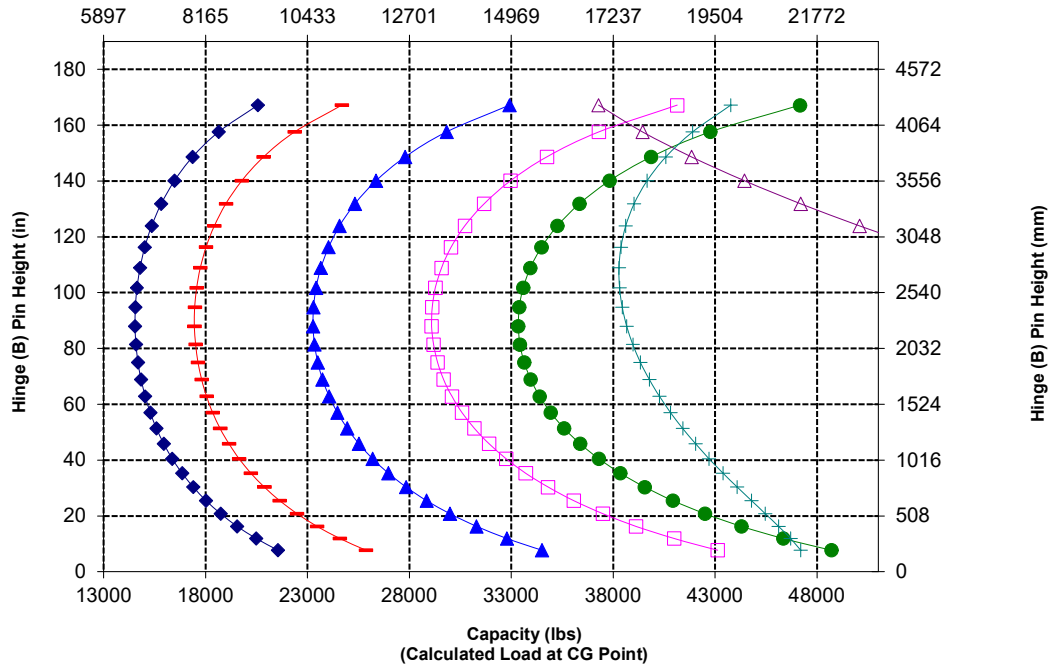
63" Tine

Log & Lumber with Clamp, Pin-On

398-4960



Capacity (kg)
(Calculated Load at CG Point)



966 Forestry Machine Specifications

Fork Specifications

Fork Specifications

1	Tine length	mm	1677
		in	66.0
2	Fork width	mm	2236
		in	88.0
	End area	m ²	1.58
		ft ²	17
3	Inside Height (only applies to double top clamp)	mm	0
		in	0
4	Min. opening (only applies to millyard forks)	mm	457
		in	18
	Operating Weight	kg	24348
		lbs	53678
5	Distance inside of tine tips	mm	1904
		in	75
	Static tipping load, articulated Fork level	kg	12940
		lbs	28527.3
	Static tipping load, straight Fork level	kg	14780
		lbs	32583.0
6	Max. height of fork (w/clamp open if applicable)	mm	3154
		in	124.2
7	Clearance w/full lift, 45 deg dump (if max. dump <= 45)	mm	4313
		in	169.8
8	Clearance @ full lift fork level	mm	3919
		in	154.3
9	Reach w/full lift, 45 deg dump (if max. dump <= 45)	mm	2399
		in	94.4
10	Reach w/lift arm horizontal and fork level	mm	3241
		in	127.6
11	*Ground to Bottom of Tool at Minimum Height and Tool Level	mm	-132
		in	-5.2
12	Width over tines	mm	2184
		in	86.0
13	Reach @ ground level	mm	2596
		in	102
14	Max. opening across tine and clamp	mm	2931
		in	115.4
15	Overall height of fork @ full lift and clamp open	mm	7073
		in	278.5
16	Overall length Tip of tine to rear of machine	mm	9473
		in	373.0
17	Clearance @ full lift and max. dump Discharge (if <= 45)	mm	5744
		in	226.1
18	Clearance w/horizontal lift arms and fork level	mm	1835.1
		in	72.2
19	Reach @ full lift and fork level	mm	2373.3
		in	93.4
20	Max. discharge angle from horizontal	deg	58
		rad	1.0

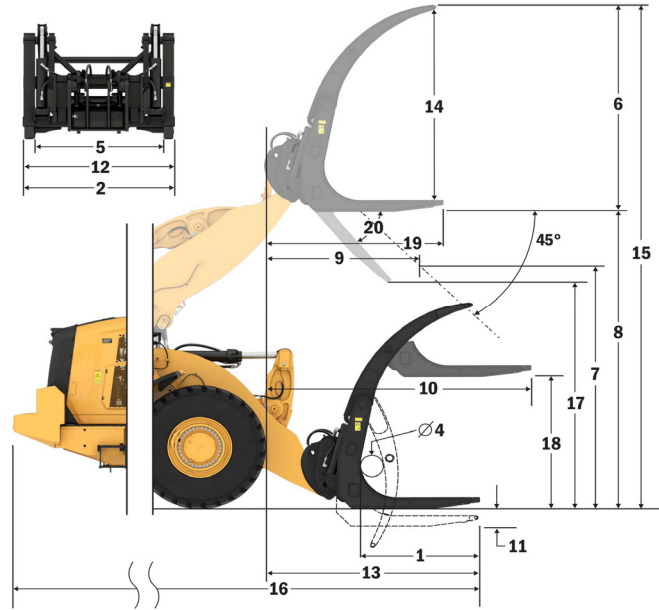
*Negative values indicate below grade

966 LOG

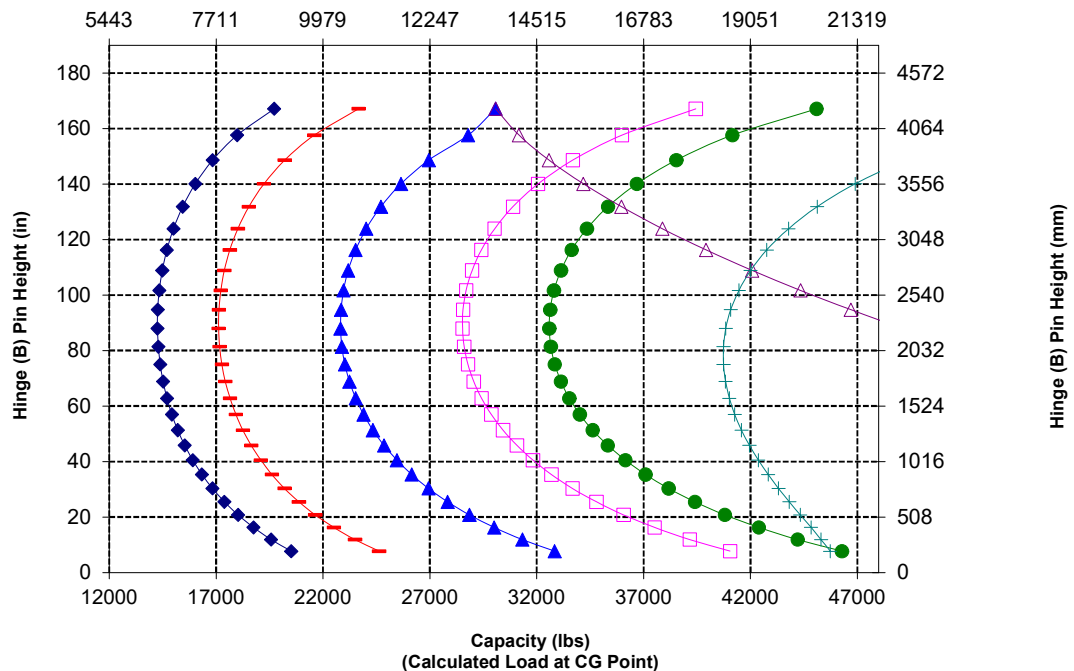
Millyard Pole, Pin-On

66" Tine

422-4917



Capacity (kg)
(Calculated Load at CG Point)



966 Forestry Machine Specifications

Fork Specifications

Fork Specifications

1	Tine Length	mm	1524
		in	60.0
2	Load Center	mm	762
		in	30.0
	Static Tipping Load - Straight (Forks Level)	kq	14329
		lbs	31582
	Static Tipping Load - Articulated (Forks Level)	kq	12586
		lbs	27740
	Rated Load (SAE J1197 - 50% FTSTL)	kq	6293
		lbs	13870
	Rated Load (CEN EN 474-3 Rough Terrain - 60% FTSTL)	kq	7552
		lbs	16644
	Rated Load (CEN EN 474-3 Firm and Level Ground - 80% FTSTL)	kq	10069
		lbs	22192
3	Maximum Overall Length	mm	9521
		in	374.8
4	Reach with Forks at Ground Level	mm	1120
		in	44.1
5	*Ground to Bottom of Tine at Minimum Height and Fork Level	mm	-88
		in	-3.5
6	Reach with Arms Horizontal and Forks Level	mm	1728
		in	68.0
7	Reach with Fork at Maximum Height	mm	860
		in	33.9
8	Ground to Top of Tine with Arms Horizontal and Fork Level	mm	1968
		in	77.5
9	Ground to Top of Tine at Maximum Height and Fork Level	mm	4052
		in	159.5
10	Overall Height of Fork at Full Lift (top of carriage to ground)	mm	5562
		in	219.0
11	Clearance at Full Lift and Max Dump	mm	2600
		in	102.4
12	Max Discharge Angle from Horizontal	deg	47
13	Overall Carriage Width	mm	2176
		in	85.7
14	Overall Carriage Height	mm	1601
		in	63.0
15	Outside Tine Width (max spread)	mm	2084
		in	82.0
16	Outside Tine Width (min spread)	mm	1002
		in	39.4
	Tine Width (single tine)	mm	180.0
		in	7.1
	Tine Thickness	mm	90.0
		in	3.5
	Tine Capacity	kq	15906
		lbs	35057
	Operating Weight	kq	24120
		lbs	53161

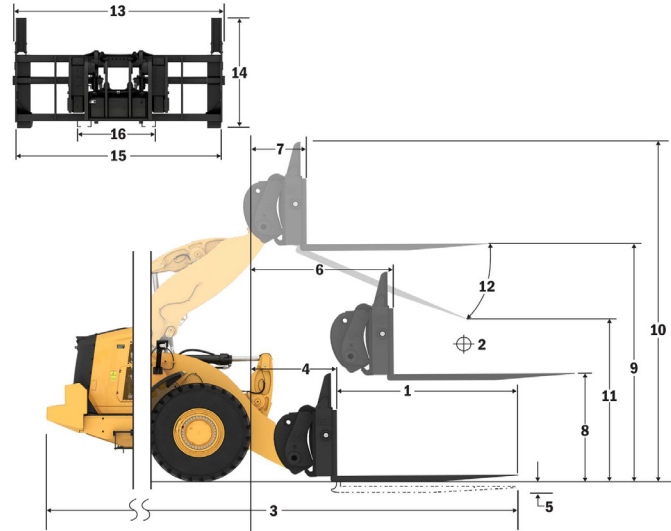
*Negative values indicate below grade

966 LOG

Log & Lumber No Clamp, FUSION

60" Tine

435-4634



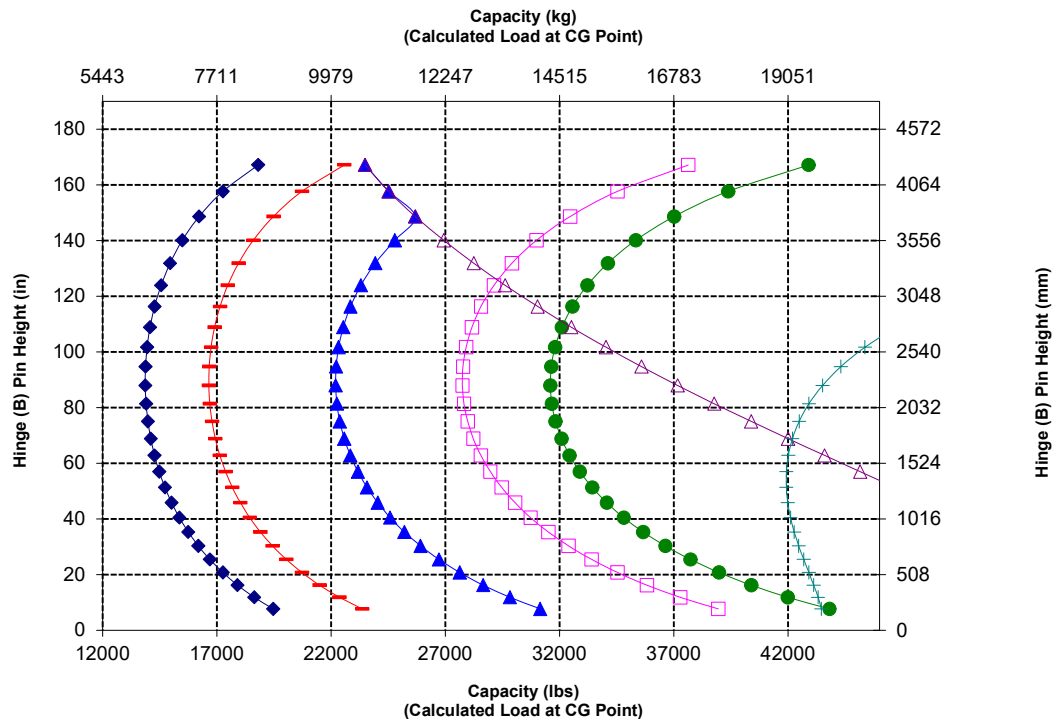
- ◆ Payload (SAE J1197)
- ◆ Payload (CEN EN 474-3 - Rough Terrain)
- ◆ Payload (CEN EN 474-3 - Firm & Level)
- ◆ Static Tipping Load - Articulated
- ◆ Static Tipping Load - Straight
- ◆ Hydraulic Tire Capacity
- ◆ Hydraulic Lift Capacity

NOTE: Static tipping loads and operating weight are based on the following loader configuration: Bridgestone VJT L3 Tires, Air Conditioning, Ride Control, Powertrain Guard, Full Fluids, Fuel Tank, Coolant, Lubricants, and Operator.

Specifications and ratings conform to the following standards: SAE* J1197, ISO 14397-1, CEN** EN 474-3.

The rated operating load for a loader equipped with a pallet fork is determined by:
 SAE J1197: 50% of full turn static tipping load or hydraulic limit.
 CEN EN 474-3: 60% of full turn static tipping load on rough terrain or hydraulic limit.
 CEN EN 474-3: 80% of full turn static tipping load on firm and level ground or hydraulic limit.

*SAE - Society of Automotive Engineers
 **CEN - European Committee for Standardization



WARNING: Do not exceed tine load capacity. Individual tine capacity is stamped on the side of each tine.

966 Forestry Machine Specifications

Fork Specifications

Fork Specifications

1	Tine Length	mm	1829
		in	72.0
2	Load Center	mm	915
		in	36.0
	Static Tipping Load - Straight (Forks Level)	kg	13653
		lbs	30091
	Static Tipping Load - Articulated (Forks Level)	kg	11985
		lbs	26415
	Rated Load (SAE J1197 - 50% FTSTL)	kg	5992
		lbs	13207
	Rated Load (CEN EN 474-3 Rough Terrain - 60% FTSTL)	kg	7191
		lbs	15849
	Rated Load (CEN EN 474-3 Firm and Level Ground - 80% FTSTL)	kg	9398
		lbs	20714
3	Maximum Overall Length	mm	9826
		in	386.8
4	Reach with Forks at Ground Level	mm	1120
		in	44.1
5	*Ground to Bottom of Tine at Minimum Height and Fork Level	mm	-88
		in	-3.5
6	Reach with Arms Horizontal and Forks Level	mm	1728
		in	68.0
7	Reach with Fork at Maximum Height	mm	860
		in	33.9
8	Ground to Top of Tine with Arms Horizontal and Fork Level	mm	1968
		in	77.5
9	Ground to Top of Tine at Maximum Height and Fork Level	mm	4052
		in	159.5
10	Overall Height of Fork at Full Lift (top of carriage to ground)	mm	5562
		in	219.0
11	Clearance at Full Lift and Max Dump	mm	2377
		in	93.6
12	Max Discharge Angle from Horizontal	deg	47
13	Overall Carriage Width	mm	2176
		in	85.7
14	Overall Carriage Height	mm	1601
		in	63.0
15	Outside Tine Width (max spread)	mm	2084
		in	82.0
16	Outside Tine Width (min spread)	mm	1002
		in	39.4
	Tine Width (single tine)	mm	180.0
		in	7.1
	Tine Thickness	mm	90.0
		in	3.5
	Tine Capacity	kg	12600
		lbs	27770
	Operating Weight	kg	24182
		lbs	53297

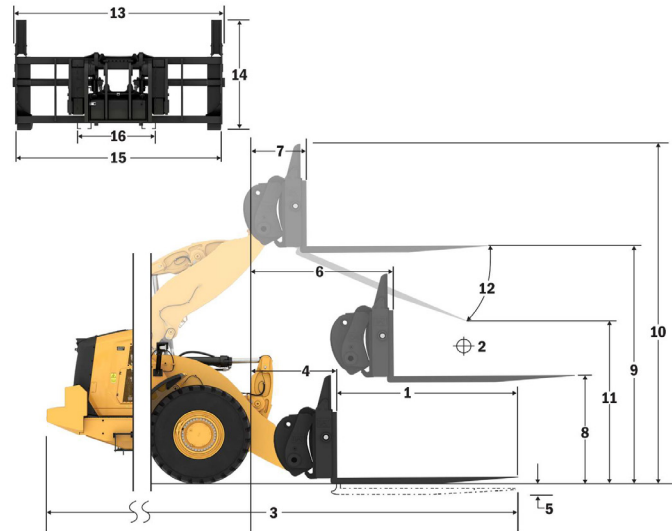
*Negative values indicate below grade

966 LOG

Log & Lumber No Clamp, FUSION

72" Tine

435-4684



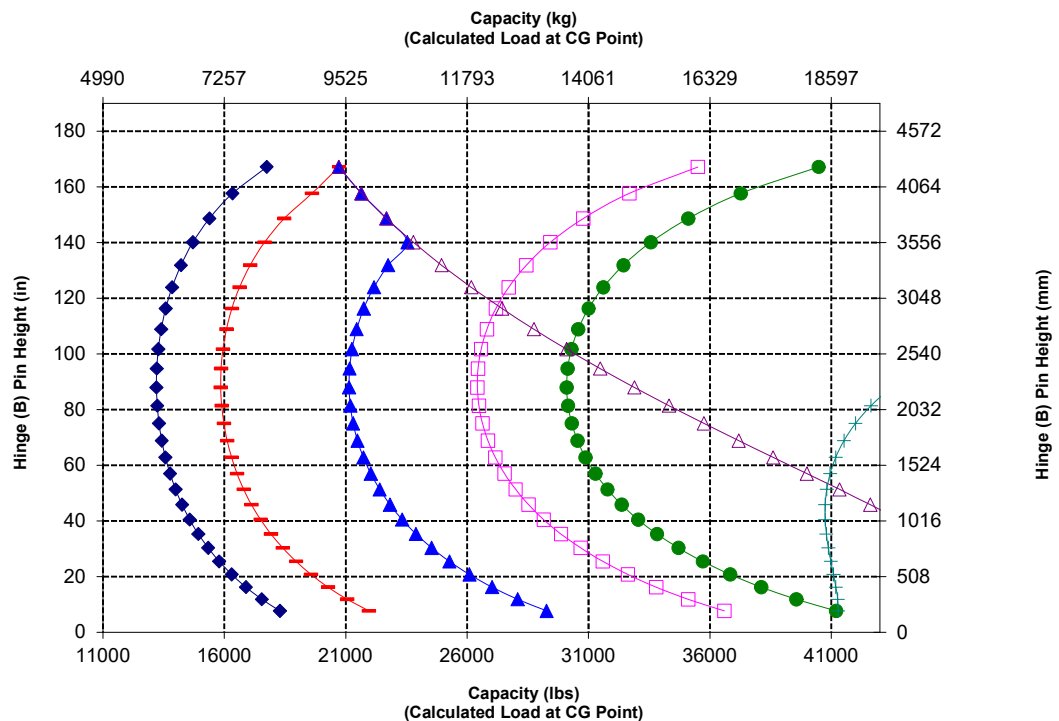
- ◆ Payload (SAE J1197)
- ◆ Payload (CEN EN 474-3 - Rough Terrain)
- ◆ Payload (CEN EN 474-3 - Firm & Level)
- ◆ Static Tipping Load - Articulated
- ◆ Static Tipping Load - Straight
- ◆ Hydraulic Tilt Capacity
- ◆ Hydraulic Lift Capacity

NOTE: Static tipping loads and operating weight are based on the following loader configuration: Bridgestone VJT L3 Tires, Air Conditioning, Ride Control, Powertrain Guard, Full Fluids, Fuel Tank, Coolant, Lubricants, and Operator.

Specifications and ratings conform to the following standards: SAE* J1197, ISO 14397-1, CEN** EN 474-3.

The rated operating load for a loader equipped with a pallet fork is determined by:
 SAE J1197: 50% of full turn static tipping load or hydraulic limit.
 CEN EN 474-3: 60% of full turn static tipping load on rough terrain or hydraulic limit.
 CEN EN 474-3: 80% of full turn static tipping load on firm and level ground or hydraulic limit.

*SAE - Society of Automotive Engineers
 **CEN - European Committee for Standardization



WARNING: Do not exceed tine load capacity. Individual tine capacity is stamped on the side of each tine.

966 Forestry Machine Specifications

Fork Specifications

Fork Specifications

1	Tine Length	mm	2438
		in	96.0
2	Load Center	mm	1219
		in	48.0
	Static Tipping Load - Straight (Forks Level)	kq	12443
		lbs	27425
	Static Tipping Load - Articulated (Forks Level)	kq	10907
		lbs	24040
	Rated Load (SAE J1197 - 50% FTSTL)	kq	5454
		lbs	12020
	Rated Load (CEN EN 474-3 Rough Terrain - 60% FTSTL)	kq	6544
		lbs	14424
	Rated Load (CEN EN 474-3 Firm and Level Ground - 80% FTSTL)	kq	7545
		lbs	16630
3	Maximum Overall Length	mm	10435
		in	410.8
4	Reach with Forks at Ground Level	mm	1121
		in	44.1
5	*Ground to Bottom of Tine at Minimum Height and Fork Level	mm	-88
		in	-3.5
6	Reach with Arms Horizontal and Forks Level	mm	1728
		in	68.0
7	Reach with Fork at Maximum Height	mm	861
		in	33.9
8	Ground to Top of Tine with Arms Horizontal and Fork Level	mm	1968
		in	77.5
9	Ground to Top of Tine at Maximum Height and Fork Level	mm	4052
		in	159.5
10	Overall Height of Fork at Full Lift (top of carriage to ground)	mm	5562
		in	219.0
11	Clearance at Full Lift and Max Dump	mm	1932
		in	76.1
12	Max Discharge Angle from Horizontal	deg	47
13	Overall Carriage Width	mm	2176
		in	85.7
14	Overall Carriage Height	mm	1601
		in	63.0
15	Outside Tine Width (max spread)	mm	2084
		in	82.0
16	Outside Tine Width (min spread)	mm	1002
		in	39.4
	Tine Width (single tine)	mm	180.0
		in	7.1
	Tine Thickness	mm	90.0
		in	3.5
	Tine Capacity	kq	10100
		lbs	22260
	Operating Weight	kq	24310
		lbs	53579

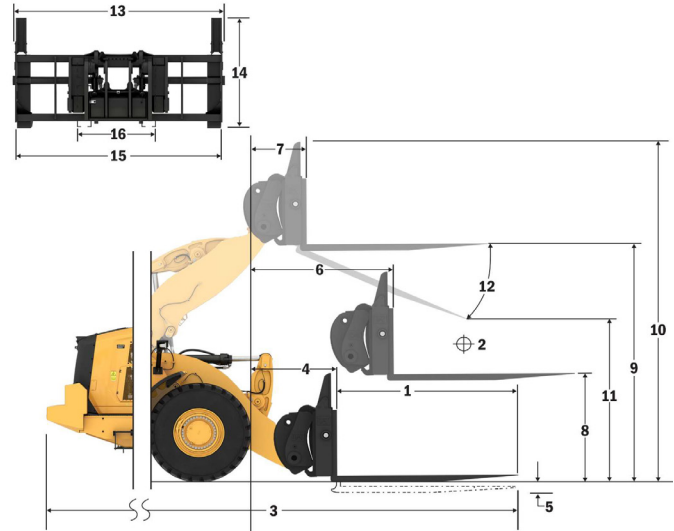
*Negative values indicate below grade

966 LOG

Log & Lumber No Clamp, FUSION

96" Tine

435-4686



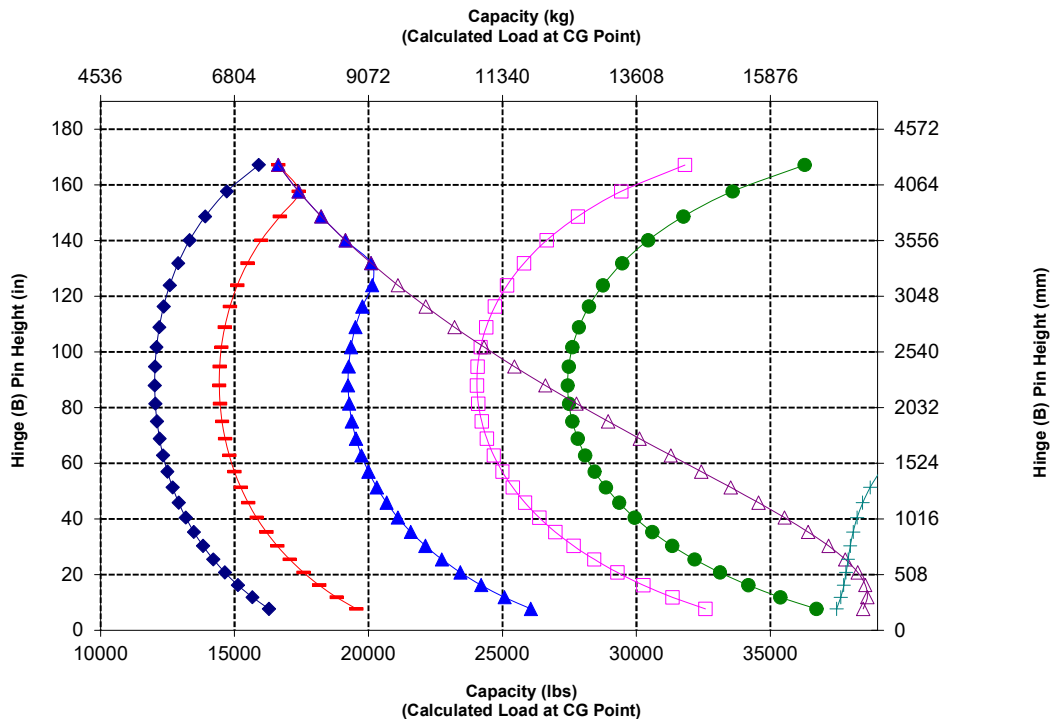
- ◆ Payload (SAE J1197)
- ◆ Payload (CEN EN 474-3 - Rough Terrain)
- ◆ Payload (CEN EN 474-3 - Firm & Level)
- ◆ Static Tipping Load - Articulated
- ◆ Static Tipping Load - Straight
- ◆ Hydraulic Tilt Capacity
- ◆ Hydraulic Lift Capacity

NOTE: Static tipping loads and operating weight are based on the following loader configuration: Bridgestone VJT L3 Tires, Air Conditioning, Ride Control, Powertrain Guard, Full Fluids, Fuel Tank, Coolant, Lubricants, and Operator.

Specifications and ratings conform to the following standards: SAE* J1197, ISO 14397-1, CEN** EN 474-3.

The rated operating load for a loader equipped with a pallet fork is determined by:
 SAE J1197: 50% of full turn static tipping load or hydraulic limit.
 CEN EN 474-3: 60% of full turn static tipping load on rough terrain or hydraulic limit.
 CEN EN 474-3: 80% of full turn static tipping load on firm and level ground or hydraulic limit.

*SAE - Society of Automotive Engineers
 **CEN - European Committee for Standardization



WARNING: Do not exceed tine load capacity. Individual tine capacity is stamped on the side of each tine.

Fork Specifications

Fork Specifications

1	Tine Length	mm	2438
		in	96.0
2	Load Center	mm	1219
		in	48.0
	Static Tipping Load - Straight (Forks Level)	kg	11511
		lbs	25370
	Static Tipping Load - Articulated (Forks Level)	kg	9950
		lbs	21930
	Rated Load (SAE J1197 - 50% FTSTL)	kg	4975
		lbs	10965
	Rated Load (CEN EN 474-3 Rough Terrain - 60% FTSTL)	kg	5970
		lbs	13158
	Rated Load (CEN EN 474-3 Firm and Level Ground - 80% FTSTL)	kg	7960
		lbs	17544
3	Maximum Overall Length	mm	10406
		in	409.7
4	Reach with Forks at Ground Level	mm	1091
		in	42.9
5	*Ground to Bottom of Tine at Minimum Height and Fork Level	mm	-109
		in	-4.3
6	Reach with Arms Horizontal and Forks Level	mm	1682
		in	66.2
7	Reach with Fork at Maximum Height	mm	815
		in	32.1
8	Ground to Top of Tine with Arms Horizontal and Fork Level	mm	1947
		in	76.7
9	Ground to Top of Tine at Maximum Height and Fork Level	mm	4031
		in	158.7
10	Overall Height of Fork at Full Lift (top of carriage to ground)	mm	5493
		in	216.3
11	Clearance at Full Lift and Max Dump	mm	2016
		in	79.4
12	Max Discharge Angle from Horizontal	deg	45
13	Overall Carriage Width	mm	3131
		in	123.3
14	Overall Carriage Height	mm	1553
		in	61.1
15	Outside Tine Width (max spread)	mm	2991
		in	117.8
16	Outside Tine Width (min spread)	mm	2991
		in	117.8
	Tine Width (single tine)	mm	200.0
		in	7.9
	Tine Thickness	mm	90.0
		in	3.5
	Operating Weight	kg	25315
		lbs	55794
	Active-Clamp Tine Lift Capacity	kg	7621
		lbs	16796
	Tine Capacity	kg	12701
		lbs	27993

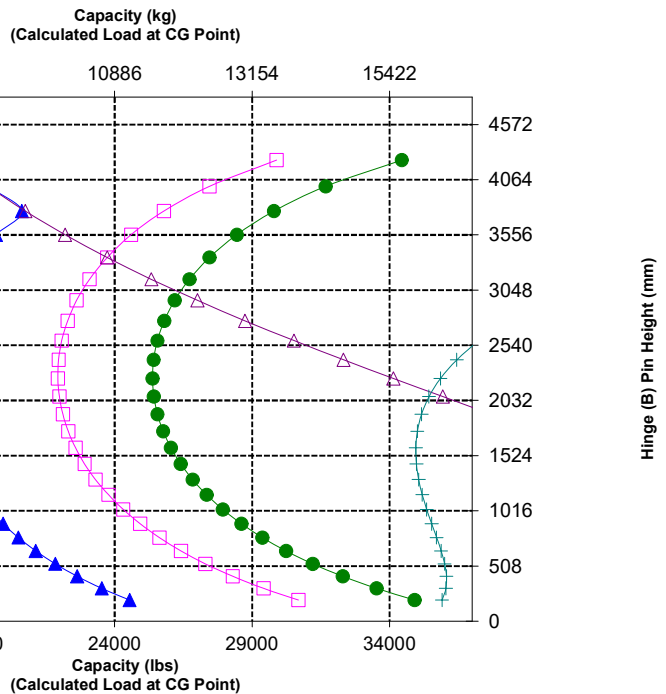
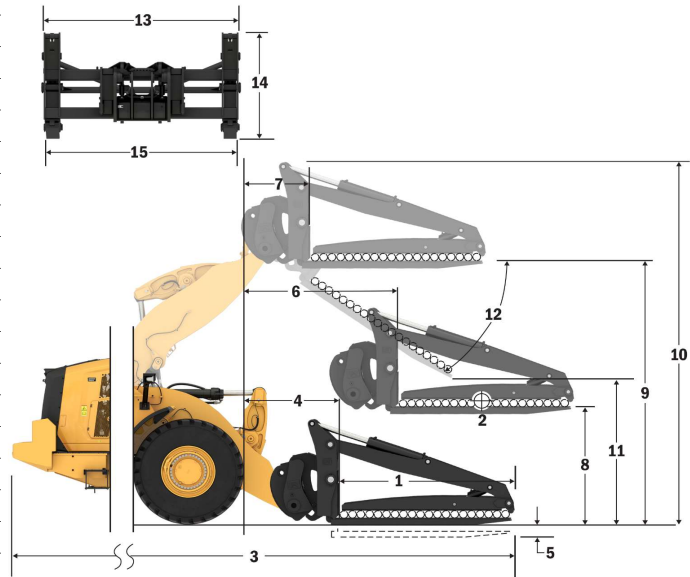
*Negative values indicate below grade

966 LOG

Pipe & Pole 3" Row, Pin-On

96" Tine

447-9939



NOTE: Static tipping loads and operating weight are based on the following loader configuration: Bridgestone VJT L3 Tires, Air Conditioning, Ride Control, Powertrain Guard, Full Fluids, Fuel Tank, Coolant, Lubricants, and Operator.

Specifications and ratings conform to the following standards: SAE* J1197, ISO 14397-1, CEN** EN 474-3.

The rated operating load for a loader equipped with a pallet fork is determined by:
SAE J1197: 50% of full turn static tipping load or hydraulic limit.
CEN EN 474-3: 60% of full turn static tipping load on rough terrain or hydraulic limit.
CEN EN 474-3: 80% of full turn static tipping load on firm and level ground or hydraulic limit.

*SAE - Society of Automotive Engineers

**CEN - European Committee for Standardization



WARNING: Do not exceed tine load capacity. Individual tine capacity is stamped on the side of each tine.



WARNING: When clamp is continuously supplied with 15513 kPa (2250 psi), tine rating is 7621 kg (16796 lbs.) at 1219 mm (48") load center per pair.

966 Forestry Machine Specifications

Fork Specifications

Fork Specifications

1	Tine Length	mm	2438
		in	96.0
2	Load Center	mm	1219
		in	48.0
	Static Tipping Load - Straight (Forks Level)	kg	14236
		lbs	31377
	Static Tipping Load - Articulated (Forks Level)	kg	12295
		lbs	27098
	Rated Load (SAE J1197 - 50% FTSTL)	kg	6147
		lbs	13549
	Rated Load (CEN EN 474-3 Rough Terrain - 60% FTSTL)	kg	7377
		lbs	16259
	Rated Load (CEN EN 474-3 Firm and Level Ground - 80% FTSTL)	kg	9836
		lbs	21678
3	Maximum Overall Length	mm	10406
		in	409.7
4	Reach with Forks at Ground Level	mm	1091
		in	42.9
5	*Ground to Bottom of Tine at Minimum Height and Fork Level	mm	-109
		in	-4.3
6	Reach with Arms Horizontal and Forks Level	mm	1682
		in	66.2
7	Reach with Fork at Maximum Height	mm	815
		in	32.1
8	Ground to Top of Tine with Arms Horizontal and Fork Level	mm	1947
		in	76.7
9	Ground to Top of Tine at Maximum Height and Fork Level	mm	4031
		in	158.7
10	Overall Height of Fork at Full Lift (top of carriage to ground)	mm	5493
		in	216.3
11	Clearance at Full Lift and Max Dump	mm	2016
		in	79.4
12	Max Discharge Angle from Horizontal	deg	45
13	Overall Carriage Width	mm	3131
		in	123.3
14	Overall Carriage Height	mm	1553
		in	61.1
15	Outside Tine Width (max spread)	mm	2991
		in	117.8
16	Outside Tine Width (min spread)	mm	2991
		in	117.8
	Tine Width (single tine)	mm	200.0
		in	7.9
	Tine Thickness	mm	90.0
		in	3.5
	Operating Weight	kg	25315
		lbs	55794
	Active-Clamp Tine Lift Capacity	kg	7621
		lbs	16796
	Tine Capacity	kg	12701
		lbs	27993

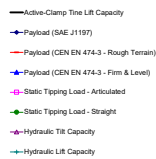
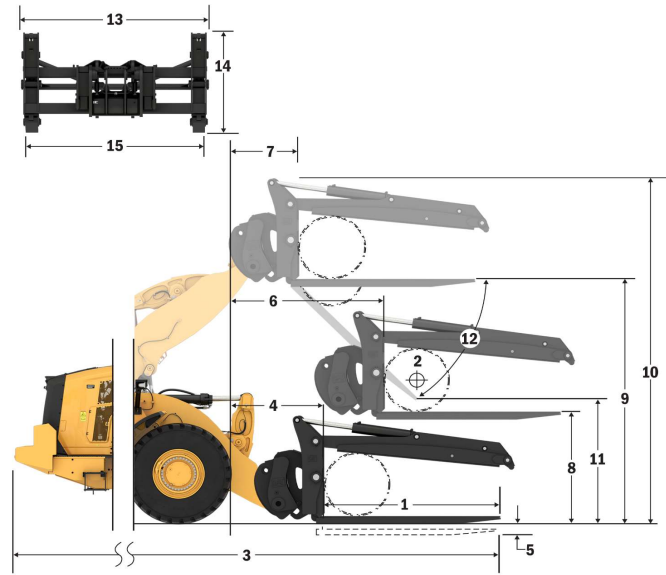
*Negative values indicate below grade

966 LOG

Pipe & Pole 30" Row, Pin-On

96" Tine

447-9939

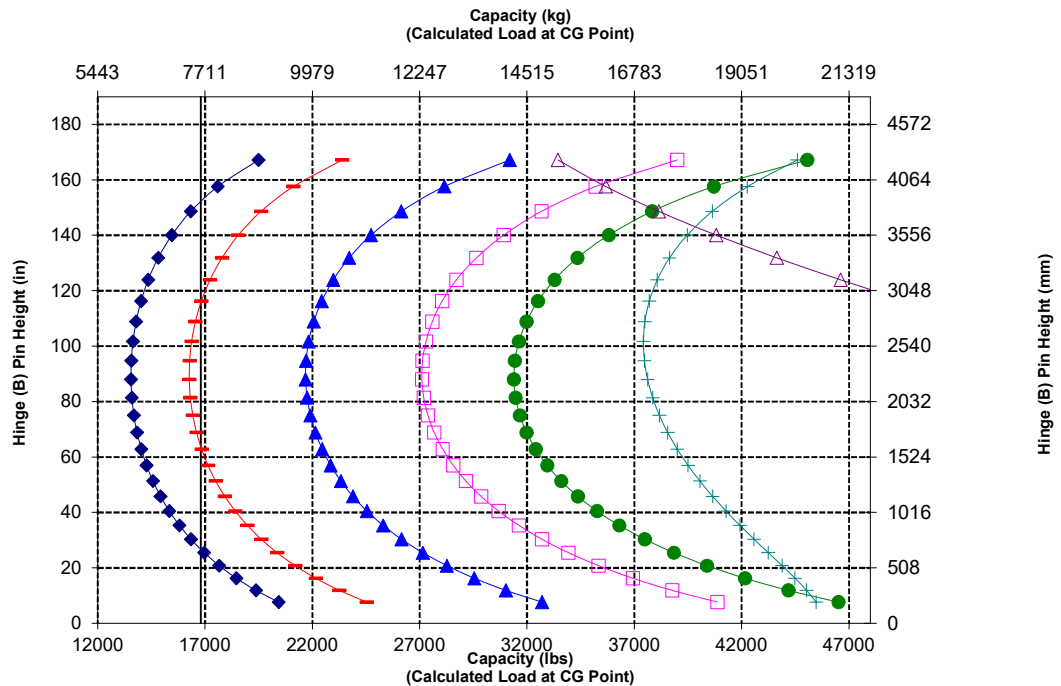


NOTE: Static tipping loads and operating weight are based on the following loader configuration: Bridgestone VJT L3 Tires, Air Conditioning, Ride Control, Powertrain Guard, Full Fluids, Fuel Tank, Coolant, Lubricants, and Operator.

Specifications and ratings conform to the following standards: SAE* J1197, ISO 14397-1, CEN** EN 474-3.

The rated operating load for a loader equipped with a pallet fork is determined by:
SAE J1197: 50% of full turn static tipping load or hydraulic limit.
CEN EN 474-3: 60% of full turn static tipping load on rough terrain or hydraulic limit.
CEN EN 474-3: 80% of full turn static tipping load on firm and level ground or hydraulic limit.

*SAE - Society of Automotive Engineers
**CEN - European Committee for Standardization



WARNING: Do not exceed tine load capacity. Individual tine capacity is stamped on the side of each tine.



WARNING: When clamp is continuously supplied with 15513 kPa (2250 psi), tine rating is 7621 kg (16796 lbs.) at 1219 mm (48") load center per pair.

Fork Specifications

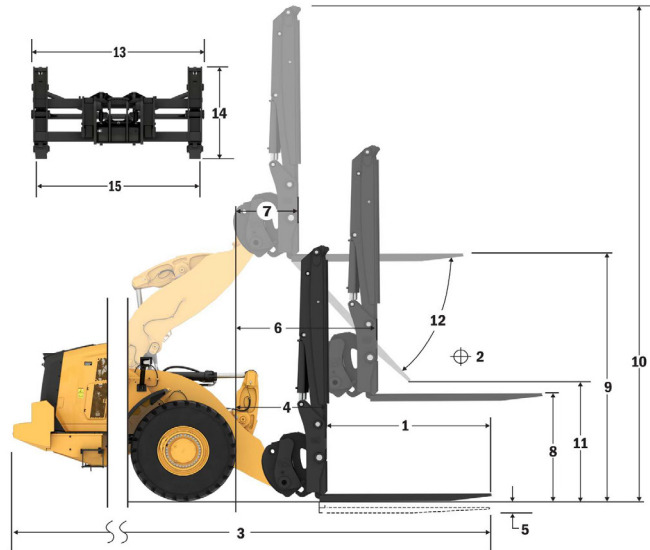
Fork Specifications

1	Tine Length	mm	2438
		in	96.0
2	Load Center	mm	1219
		in	48.0
	Static Tipping Load - Straight (Forks Level)	kg	11865
		lbs	26151
	Static Tipping Load - Articulated (Forks Level)	kg	10310
		lbs	22724
	Rated Load (SAE J1197 - 50% FTSTL)	kg	5155
		lbs	11362
	Rated Load (CEN EN 474-3 Rough Terrain - 60% FTSTL)	kg	6186
		lbs	13634
	Rated Load (CEN EN 474-3 Firm and Level Ground - 80% FTSTL)	kg	8248
		lbs	18179
3	Maximum Overall Length	mm	10406
		in	409.7
4	Reach with Forks at Ground Level	mm	1091
		in	42.9
5	*Ground to Bottom of Tine at Minimum Height and Fork Level	mm	-109
		in	-4.3
6	Reach with Arms Horizontal and Forks Level	mm	1682
		in	66.2
7	Reach with Fork at Maximum Height	mm	815
		in	32.1
8	Ground to Top of Tine with Arms Horizontal and Fork Level	mm	1947
		in	76.7
9	Ground to Top of Tine at Maximum Height and Fork Level	mm	4031
		in	158.7
10	Overall Height of Fork at Full Lift (top of carriage to ground)	mm	7103
		in	279.7
11	Clearance at Full Lift and Max Dump	mm	2016
		in	79.4
12	Max Discharge Angle from Horizontal	deg	45
13	Overall Carriage Width	mm	3131
		in	123.3
14	Overall Carriage Height	mm	3163
		in	124.5
15	Outside Tine Width (max spread)	mm	2991
		in	117.8
16	Outside Tine Width (min spread)	mm	2991
		in	117.8
	Tine Width (single tine)	mm	200.0
		in	7.9
	Tine Thickness	mm	90.0
		in	3.5
	Operating Weight	kg	25315
		lbs	55794
	Tine Capacity	kg	12701
		lbs	27993

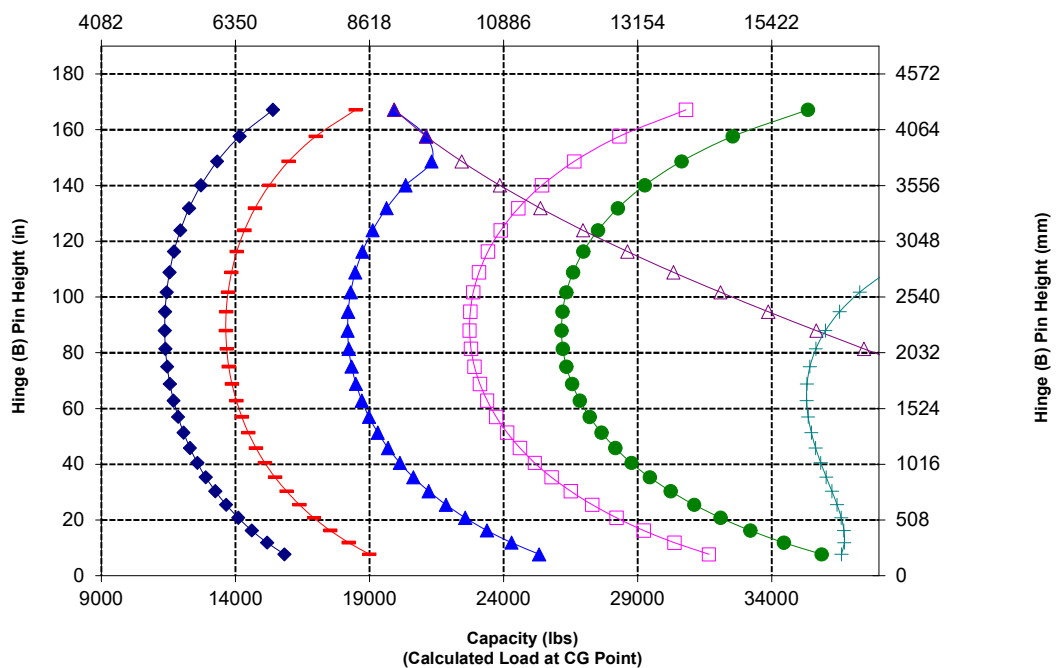
*Negative values indicate below grade

966 LOG Pipe & Pole Open Clamp, Pin-On

96" Tine
447-9939



Capacity (kg)
(Calculated Load at CG Point)



WARNING: Do not exceed tine load capacity. Individual tine capacity is stamped on the side of each tine.

Fork Specifications

Fork Specifications

1	Tine length	mm	1221
		in	48.1
2	Fork width	mm	1943
		in	76.5
	End area	m ²	3.1
		ft ²	33
3	Inside Height (only applies to double top clamp)	mm	0
		in	0
4	Min. opening (only applies to millyard forks)	mm	1390
		in	55
	Operating Weight	kg	24892
		lbs	54877
5	Distance inside of tine tips	mm	1402
		in	55
	Static tipping load, articulated Fork level	kg	12221
		lbs	26942.2
	Static tipping load, straight Fork level	kg	14033
		lbs	30937.5
6	Max. height of fork (w/clamp open if applicable)	mm	3762
		in	148.1
7	Clearance w/full lift, 45 deg dump (if max. dump <= 45)	mm	3086
		in	121.5
8	Clearance @ full lift fork level	mm	3925
		in	154.5
9	Reach w/full lift, 45 deg dump (if max. dump <= 45)	mm	1103
		in	43.4
10	Reach w/lift arm horizontal and fork level	mm	2584
		in	101.7
11	*Ground to Bottom of Tool at Minimum Height and Tool Level	mm	-125
		in	-4.9
12	Width over tines	mm	1938
		in	76.3
13	Reach @ ground level	mm	1934
		in	76
14	Max. opening across tine and clamp	mm	3465
		in	136.4
15	Overall height of fork @ full lift and clamp open	mm	7687
		in	302.7
16	Overall length Tip of tine to rear of machine	mm	8810
		in	346.9
17	Clearance @ full lift and max. dump Discharge (if <= 45)	mm	3088
		in	121.6
18	Clearance w/horizontal lift arms and fork level	mm	1842.0
		in	72.5
19	Reach @ full lift and fork level	mm	1716.2
		in	67.6
20	Max. discharge angle from horizontal	deg	45
		rad	0.8

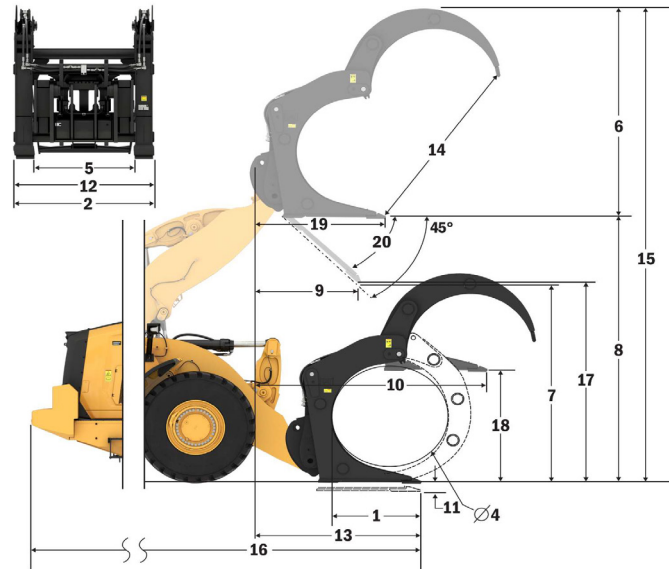
*Negative values indicate below grade

966 LOG

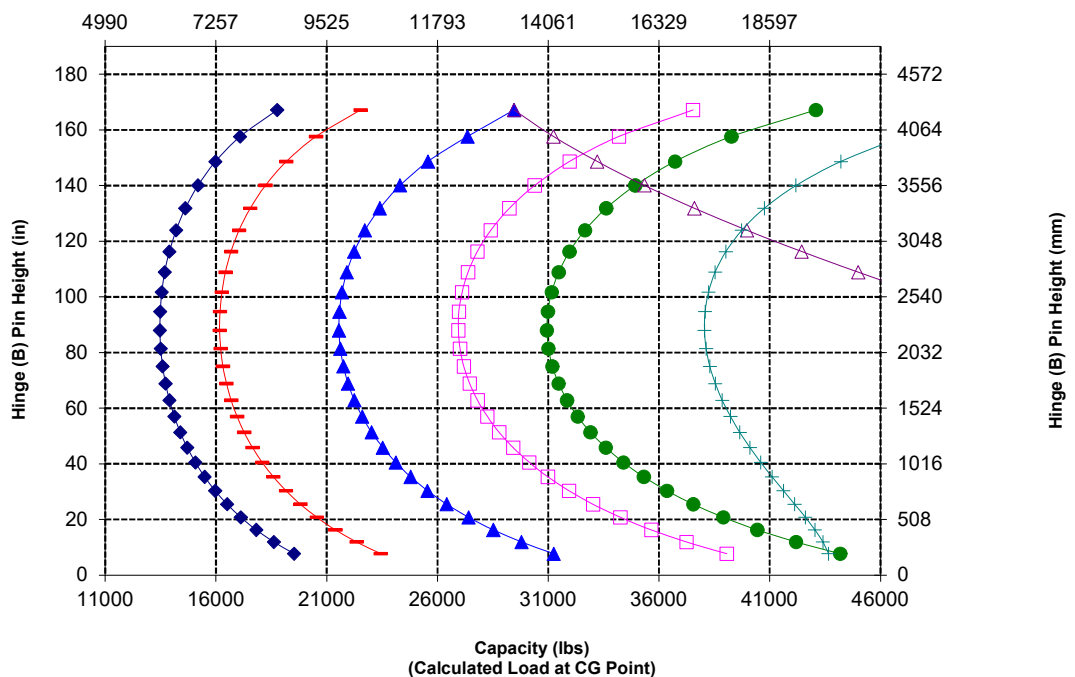
48" Tine

448-9058

Grapple, Pin-On



Capacity (kg)
(Calculated Load at CG Point)



966 Forestry Machine Specifications

Fork Specifications

Fork Specifications

1	Tine length	mm	1611
		in	63.4
2	Fork width	mm	2500
		in	98.4
	End area	m ²	1.42
		ft ²	15
3	Inside Height (only applies to double top clamp)	mm	1259
		in	50
4	Min. opening (only applies to millyard forks)	mm	N/A
		in	N/A
	Operating Weight	kg	24840
		lbs	54762
5	Distance inside of tine tips	mm	1892
		in	74
	Static tipping load, articulated Fork level	kg	13809
		lbs	30443.1
	Static tipping load, straight Fork level	kg	15820
		lbs	34876.0
6	Max. height of fork (w/clamp open if applicable)	mm	2700
		in	106.3
7	Clearance w/full lift, 45 deg dump (if max. dump <=> 45)	mm	2857
		in	112.5
8	Clearance @ full lift fork level	mm	3981
		in	156.7
9	Reach w/full lift, 45 deg dump (if max. dump <=> 45)	mm	1410
		in	55.5
10	Reach w/lift arm horizontal and fork level	mm	2962
		in	116.6
11	*Ground to Bottom of Tool at Minimum Height and Tool Level	mm	-69
		in	-2.7
12	Width over tines	mm	2414
		in	95.0
13	Reach @ ground level	mm	2267
		in	89
14	Max. opening across tine and clamp	mm	2493
		in	98.1
15	Overall height of fork @ full lift and clamp open	mm	6680
		in	263.0
16	Overall length Tip of tine to rear of machine	mm	9143
		in	360.0
17	Clearance @ full lift and max. dump Discharge (if <=> 45)	mm	2861
		in	112.6
18	Clearance w/horizontal lift arms and fork level	mm	1897.5
		in	74.7
19	Reach @ full lift and fork level	mm	2094.8
		in	82.5
20	Max. discharge angle from horizontal	deg	45
		rad	0.8

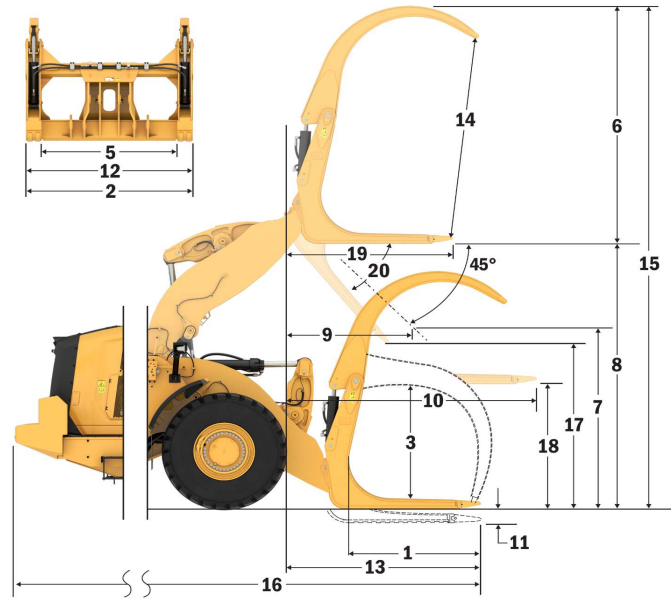
*Negative values indicate below grade

966 LOG

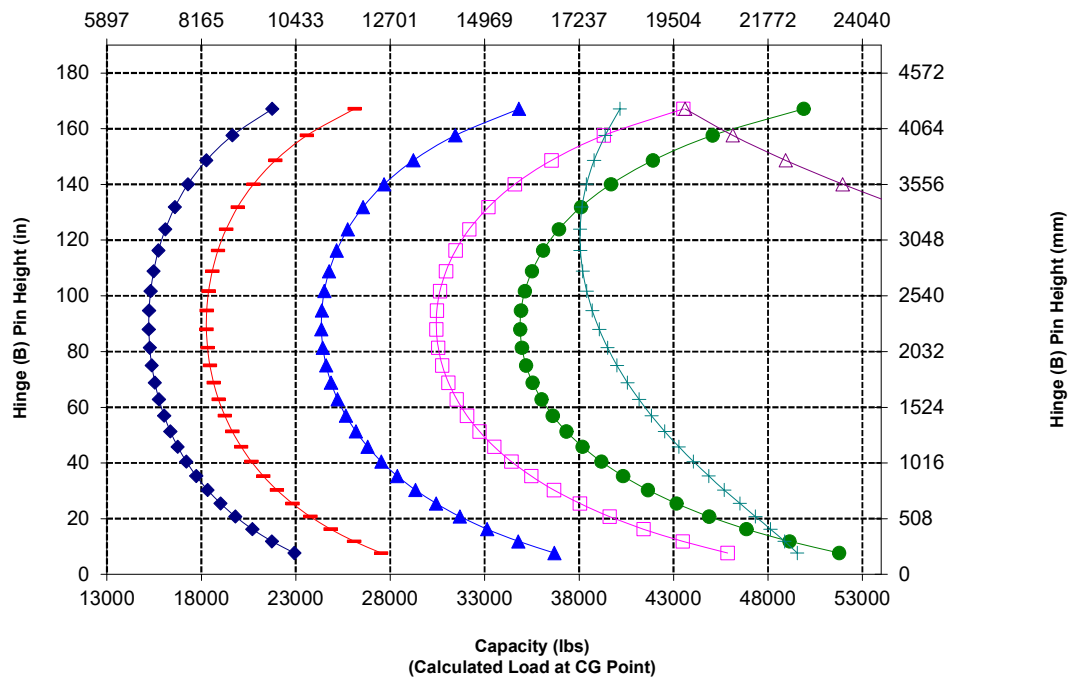
Logging Fork, Pin-On

63" Tine

472-1174



Capacity (kg) (Calculated Load at CG Point)



966 Forestry Machine Specifications

Fork Specifications

Fork Specifications

1	Tine length	mm	1611
		in	63.4
2	Fork width	mm	2500
		in	98.4
	End area	m ²	1.42
		ft ²	15
3	Inside Height (only applies to double top clamp)	mm	1259
		in	50
4	Min. opening (only applies to millyard forks)	mm	N/A
		in	N/A
	Operating Weight	kg	25114
		lbs	55367
5	Distance inside of tine tips	mm	1892
		in	74
	Static tipping load, articulated Fork level	kg	13562
		lbs	29899.3
	Static tipping load, straight Fork level	kg	15573
		lbs	34332.4
6	Max. height of fork (w/clamp open if applicable)	mm	2700
		in	106.3
7	Clearance w/full lift, 45 deg dump (if max. dump <= 45)	mm	2857
		in	112.5
8	Clearance @ full lift fork level	mm	3981
		in	156.7
9	Reach w/full lift, 45 deg dump (if max. dump <= 45)	mm	1410
		in	55.5
10	Reach w/lift arm horizontal and fork level	mm	2962
		in	116.6
11	*Ground to Bottom of Tool at Minimum Height and Tool Level	mm	-69
		in	-2.7
12	Width over tines	mm	2414
		in	95.0
13	Reach @ ground level	mm	2267
		in	89
14	Max. opening across tine and clamp	mm	2493
		in	98.1
15	Overall height of fork @ full lift and clamp open	mm	6680
		in	263.0
16	Overall length Tip of tine to rear of machine	mm	9143
		in	360.0
17	Clearance @ full lift and max. dump Discharge (if <= 45)	mm	2861
		in	112.6
18	Clearance w/horizontal lift arms and fork level	mm	1897.5
		in	74.7
19	Reach @ full lift and fork level	mm	2094.8
		in	82.5
20	Max. discharge angle from horizontal	deg	45
		rad	0.8

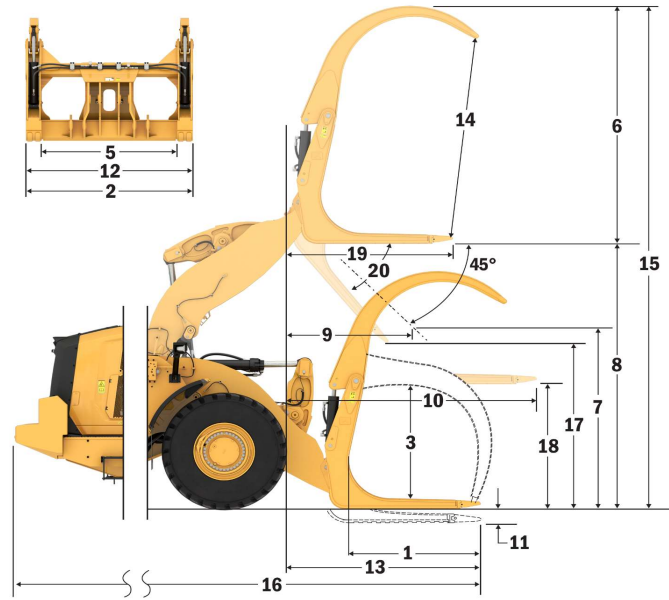
*Negative values indicate below grade

966 LOG

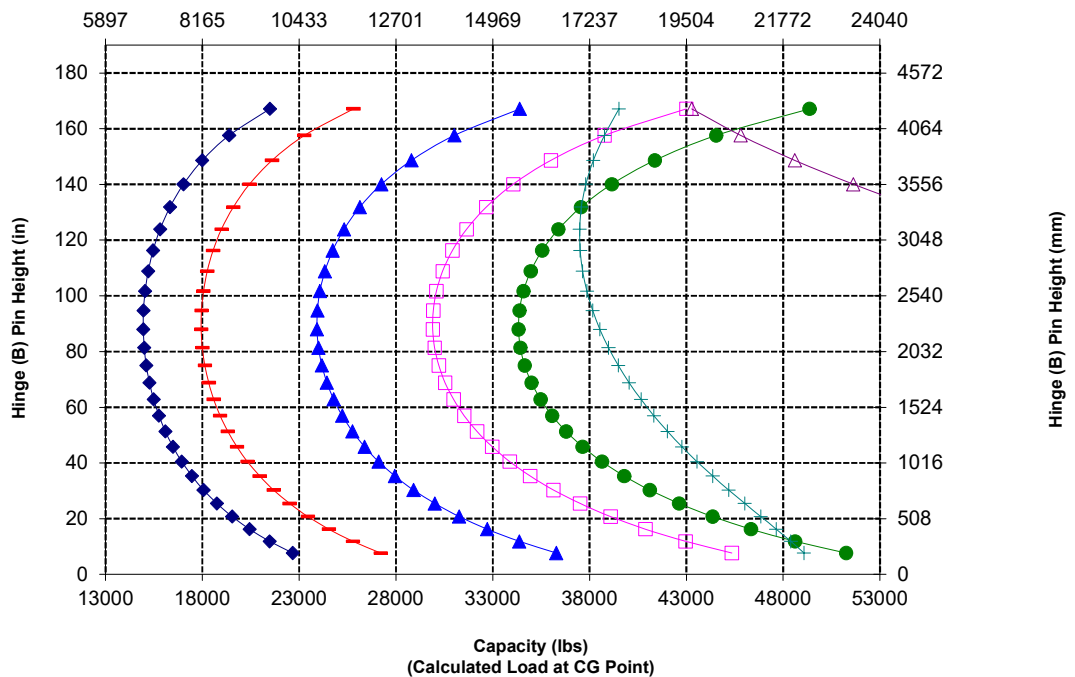
Logging Fork, Pin-On

63" Tine

472-4662



Capacity (kg) (Calculated Load at CG Point)



Fork Specifications

Fork Specifications

1	Tine length	mm	1611
		in	63.4
2	Fork width	mm	2508
		in	98.8
	End area	m ²	1.59
		ft ²	17
3	Inside Height (only applies to double top clamp)	mm	0
		in	0
4	Min. opening (only applies to millyard forks)	mm	662
		in	26
	Operating Weight	kg	25144
		lbs	55433
5	Distance inside of tine tips	mm	1907
		in	75
	Static tipping load, articulated Fork level	kg	13212
		lbs	29126.4
	Static tipping load, straight Fork level	kg	15193
		lbs	33495.2
6	Max. height of fork (w/clamp open if applicable)	mm	2805
		in	110.4
7	Clearance w/full lift, 45 deg dump (if max. dump <= 45)	mm	2857
		in	112.5
8	Clearance @ full lift fork level	mm	3981
		in	156.7
9	Reach w/full lift, 45 deg dump (if max. dump <= 45)	mm	1410
		in	55.5
10	Reach w/lift arm horizontal and fork level	mm	2962
		in	116.6
11	*Ground to Bottom of Tool at Minimum Height and Tool Level	mm	-69
		in	-2.7
12	Width over tines	mm	2413
		in	95.0
13	Reach @ ground level	mm	2267
		in	89
14	Max. opening across tine and clamp	mm	2727
		in	107.4
15	Overall height of fork @ full lift and clamp open	mm	6786
		in	267.2
16	Overall length Tip of tine to rear of machine	mm	9143
		in	360.0
17	Clearance @ full lift and max. dump Discharge (if <= 45)	mm	2861
		in	112.6
18	Clearance w/horizontal lift arms and fork level	mm	1897.8
		in	74.7
19	Reach @ full lift and fork level	mm	2095.0
		in	82.5
20	Max. discharge angle from horizontal	deg	45
		rad	0.8

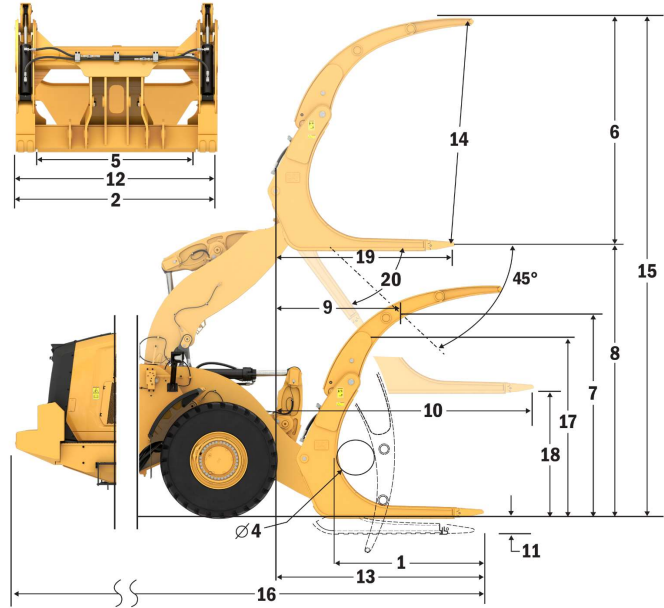
*Negative values indicate below grade

966 LOG

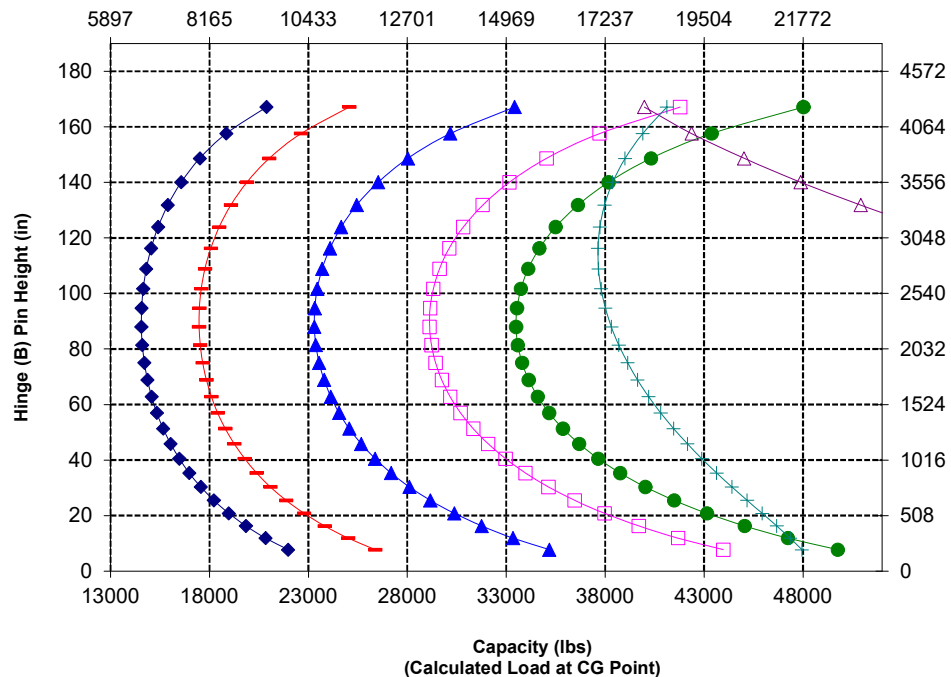
Millyard Fork, Pin-On

63" Tine

506-1946



Capacity (kg)
(Calculated Load at CG Point)



NOTE: Static tipping loads and operating weight are based on the following loader configuration: Bridgestone V.J.T L3 Tires, Air Conditioning, Ride Control, Powertrain Guard, Full Fluids, Fuel Tank, Coolant, Lubricants, and Operator.

Specifications and ratings conform to the following standards: SAE* J1197, ISO 14397-1, CEN** EN 474-3.

The rated operating load for a loader equipped with a pallet fork is determined by:
SAE J1197: 50% of full turn static tipping load or hydraulic limit.
CEN EN 474-3: 60% of full turn static tipping load on rough terrain or hydraulic limit.
CEN EN 474-3: 80% of full turn static tipping load on firm and level ground or hydraulic limit.

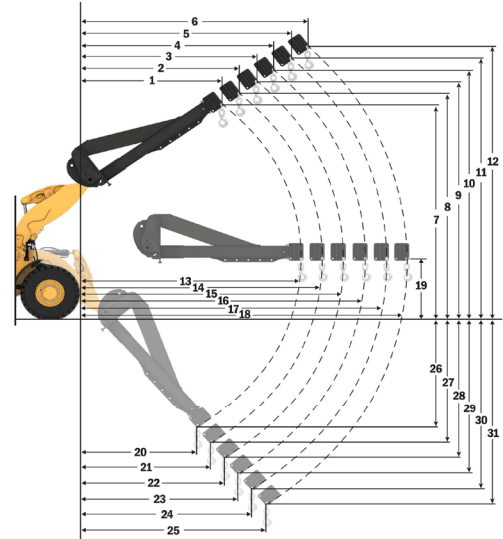
*SAE - Society of Automotive Engineers
**CEN - European Committee for Standardization

966 Forestry Machine Specifications

Material Handling Arm Specifications

966 LOG Fusion Material Handling Arm 6Pos

MHA Specifications		Retracted	Extension 1	Extension 2	Extension 3	Extension 4	Extended
Max Lift - Hook Reach (1, 2, 3, 4, 5, 6)	mm	1,823	1,936	2,049	2,162	2,275	2,388
	ft, in	5' 11"	6' 4"	6' 8"	7' 1"	7' 5"	7' 10"
Max Lift - Hook Height (7, 8, 9, 10, 11, 12)	mm	7,218	7,501	7,784	8,067	8,350	8,633
	ft, in	23' 8"	24' 7"	25' 6"	26' 5"	27' 4"	28' 3"
Level - Hook Reach (13, 14, 15, 16, 17, 18)	mm	4,553	4,858	5,162	5,467	5,772	6,077
	ft, in	14' 11"	15' 11"	16' 11"	17' 11"	18' 11"	19' 11"
Level - Hook Height (19)	mm	1,937	1,937	1,937	1,937	1,937	1,937
	ft, in	6' 4.2"	6' 4.2"	6' 4.2"	6' 4.2"	6' 4.2"	6' 4.2"
Min Lift - Hook Reach (20, 21, 22, 23, 24, 25)	mm	1,720	1,852	1,983	2,114	2,245	2,377
	ft, in	5' 7"	6' 0"	6' 6"	6' 11"	7' 4"	7' 9"
Min Lift - Hook Height (26, 27, 28, 29, 30, 31)	mm	(2,871)	(3,146)	(3,421)	(3,696)	(3,971)	(4,246)
	ft, in	-9' 6"	-10' 8"	-11' 9"	-12' 10"	-13' 11"	-13' 0"
Static Tipping Load, Straight	kg	9,131	8,641	8,200	7,801	7,438	7,107
	lb	20,125	19,045	18,073	17,193	16,394	15,663
Static Tipping Load, Articulated	kg	8,060	7,627	7,237	6,885	6,564	6,271
	lb	17,765	16,810	15,951	15,174	14,467	13,821
Operating Weight	kg	23,488	23,488	23,488	23,488	23,488	23,488
	lb	51,767	51,767	51,767	51,767	51,767	51,767



Payload Capacity (kg)
(Calculated Load at CG Point)

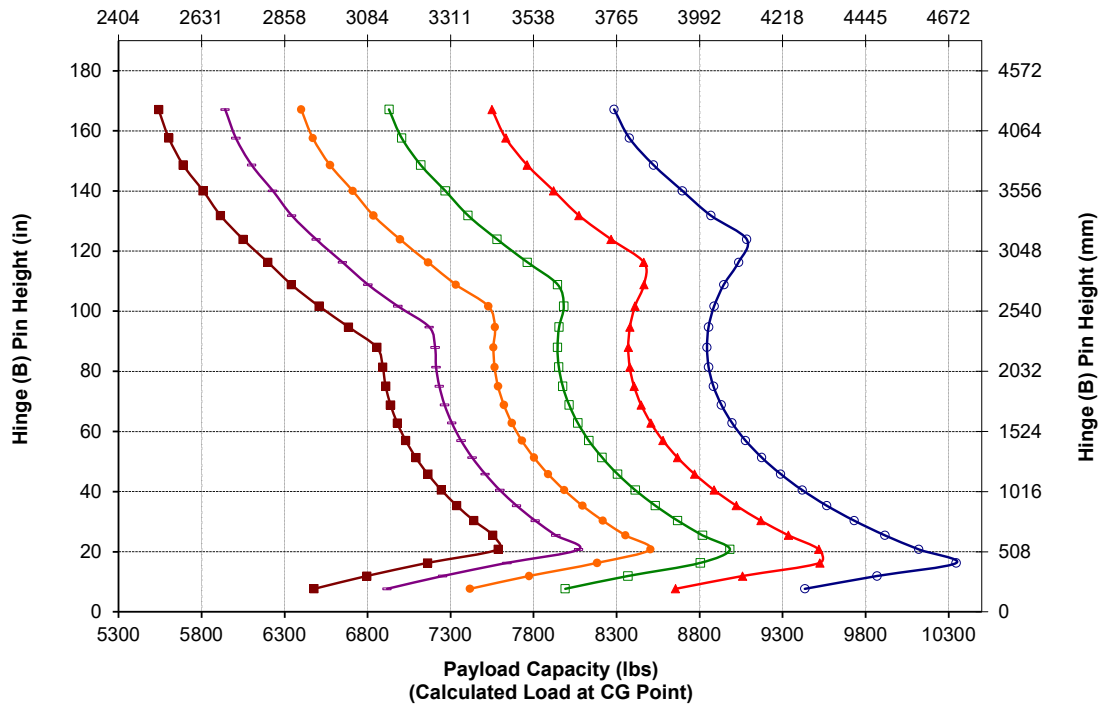
- Retracted
- Extension 1
- Extension 2
- Extension 3
- Extension 4
- Extended

NOTE: Static tipping loads and operating weight are based on the following loader configuration: Bridgestone VJT L3 Tires, Air Conditioning, Ride Control, Powertrain Guard, Full Fluids, Fuel Tank, Coolant, Lubricants, and Operator.

Specifications and ratings conform to the following standards: SAE* J1197, ISO 14397-1

The rated operating load for a loader equipped with a material handling arm is determined by: SAE J1197: 50% of full turn static tipping load or hydraulic limit.

*SAE - Society of Automotive Engineers





966

Tunneling

The Cat 966 Wheel Loader Tunneling Package provides added performance and protection for working in tunnels.

Proven Reliability

- Cat C9.3B engine offers high power density with a combination of proven electronics, fuel, and air systems.
- Equipped with automatic Cat regeneration system, Cat Clean Emissions Module (CEM) with Diesel Particulate Filter (DPF), and Diesel Exhaust Fluid (DEF) tank and pump.
- Features an electric fuel priming pump, fuel-water separator, and secondary fuel filter.
- Thorough component design and machine validation processes result in unmatched reliability and uptime.

Durability

- Handrails are designed with low clearance in mind.
- Fabricated counterweight with robust rear grill provides added protection at the rear of the machine.
- The front light brackets are designed close to the frame for added protection.
- Tunneling package includes a steel roof cap and service center guards for increased durability.
- Heavy-duty axles are designed to handle extreme applications.

Superior Fuel Efficiency & Productivity

- Tunneling package includes a larger tilt cylinder for increased tilt capacity.
- Optional 3rd and 4th valve auxiliary hydraulics to control work tools such as side dump buckets.
- Powershift transmission with lock-up clutch increases fuel efficiency while delivering optimal performance.
- Single clutch and lock-to-lock shifting for faster acceleration and speed on grades.
- Automatic idle engine shutdown system significantly reduces idle time, overall operating hours, and fuel consumption.
- Deeply integrated engine, power train, and hydraulic systems deliver unmatched productivity and fuel efficiency.

Safety Features

- High powered LED lights help to provide great visibility.
- Rearview camera enhances visibility behind the machine, helping you work safely and confidently.
- Cab access with wide door, optional remote door opening, and stair-like steps add solid stability.
- Floor-to-ceiling windshield, large mirrors with integrated spot mirrors, and rearview camera provide industry leading all-around visibility.

Reduced Maintenance Time and Costs

- Extended fluid and filter change intervals reduce maintenance costs by up to 20%.
- Remote Troubleshoot can connect the machine to the dealer service department to help diagnose problems quickly so you can get back to work.
- Remote Flash works around your schedule to ensure your machine's software is up to date for optimal performance.
- The Cat App helps you manage fleet location, hours, and maintenance schedules; it also alerts you for required maintenance and allows you to request service from your local Cat dealer.
- One-piece tilting hood makes engine compartment access fast and easy.

Work in Comfort in the All New Cab

- Optional powered cabin precleaner filters the incoming air and pressurize the cab.
- Next-generation, easily adjustable seat and suspension for improved operator comfort. It comes in three trim levels and can be equipped with a 4-point harness.
- New in-cab dashboard and high-resolution touch display(s) are easy to use, intuitive, and user friendly.
- Sound suppression, seals, and viscous cab mounts decrease noise and vibration for a quieter work environment.
- The seat-mounted electro-hydraulic joystick steering system provides precision control and dramatically reduces arm fatigue, resulting in excellent comfort and accuracy. An HMU steering wheel is also available.

966 Tunneling Features

1. Larger tilt cylinder for increased capacity
2. Tilt cylinder guard to protect the cylinder rod from falling debris
3. Low clearance handrails
4. Service center guards
5. Heavy-duty light brackets mounted close to the frame
6. 3rd/4th valve auxiliary hydraulics
7. Optional advanced cabin filtration



8. Fabricated counterweight
9. Heavy-duty rear guard
10. Steel roof cap
11. Large range of Cat work tools

966 Tunneling Specifications

Operating Specifications – Buckets

Linkage		Standard Linkage
Bucket Type		Side Dump – Pin-On
Edge Type		Teeth and Segments
Capacity – Rated	m ³	2.80
	yd ³	3.75
Capacity – Rated at 110% Fill Factor	m ³	3.10
	yd ³	4.00
Width	mm	3300
	ft/in	10'9"
16† Dump Clearance at Maximum Lift and 45° Discharge	mm	2634
	ft/in	8'7"
17† Reach at Maximum Lift and 45° Discharge	mm	1529
	ft/in	5'0"
Reach at Level Lift Arm and Bucket Level	mm	3203
	ft/in	10'6"
A† Digging Depth	mm	84
	in	3.3"
12† Overall Length	mm	9167
	ft/in	30'1"
B† Overall Height with Bucket at Maximum Lift	mm	6116
	ft/in	20'1"
Loader Clearance Circle Radius with Bucket at Carry Position	mm	7734
	ft/in	25'5"
Static Tipping Load, Straight (With tire deflection)	kg	14 778
	lb	32,572
Static Tipping Load, Straight (No tire deflection)	kg	15 878
	lb	34,995
Static Tipping Load, Articulated (With tire deflection)	kg	12 811
	lb	28,236
Static Tipping Load, Articulated (No tire deflection)	kg	13 920
	lb	30,681
Breakout Force (§)	kN	145
	lbf	32,772
Operating Weight*	kg	24 669
	lb	54,371

* Static tipping loads and operating weights shown are based on a machine configuration with Bridgestone 26.5R25 VJT L3 radial tires, full fluids, operator, tunneling rear guard counterweight, ride control, cold start, tunneling fenders, Product Link, manual diff lock/open axles (front/rear), power train guard, secondary steering and sound suppression.

† Illustration shown with Dimension charts.

(§) Measured 100 mm (4") behind tip of cutting edge with bucket hinge pin as pivot point in accordance with ISO 14397-2:2007.

(With tire deflection) Full compliance to ISO 14397-1:2007 Sections 1 thru 6, which requires 2% verification between calculations and testing.

(No tire deflection) Compliance to ISO 14397-1:2007 Sections 1 thru 5.

Other buckets are available and offerings vary by region. Consult your local Cat dealer for further details.



966

Corrosion Resistant

The Cat 966 Wheel Loader Corrosion Resistant Package adds real value in protecting your machine investment. An industry-unique factory treatment provides more protection for all machine components that can be affected by corrosive materials. It's designed for improving reliability and durability in demanding corrosive environments such as fertilizer plants, chemical industries, agriculture, saltwater ports, and others.

Proven Reliability

- Cat C9.3B engine offers high power density with a combination of proven electronics, fuel, and air systems.
- Equipped with automatic Cat regeneration system, Cat Clean Emissions Module (CEM) with Diesel Particulate Filter (DPF), and Diesel Exhaust Fluid (DEF) tank and pump.
- Features an electric fuel priming pump, fuel-water separator, and secondary fuel filter.
- Thorough component design and machine validation processes result in unmatched reliability and uptime.

Durability

- Corrosion Resistant package includes silicon protection applied to all electrical terminals: alternator, engine starter, engine ground cable, and battery cables to maximize component life.
- Exposed electrical connectors are treated with shrinkable heat tube.
- Heavy-duty brushless alternator is utilized for increased durability.
- Optional paint protection that is more than two times the thickness of the standard paint. Extra primer coats are applied before the final polyurethane topcoat.

Superior Fuel Efficiency & Productivity

- Powershift transmission with lock-up clutch increases fuel efficiency while delivering optimal performance.
- Single clutch and lock-to-lock shifting for faster acceleration and speed on grades.
- Automatic idle engine shutdown system significantly reduces idle time, overall operating hours, and fuel consumption.
- Deeply integrated engine, power train, and hydraulic systems deliver unmatched productivity and fuel efficiency.

Safety Features

- Rearview camera enhances visibility behind the machine, helping you work safely and confidently.
- Cab access with wide door, optional remote door opening, and stair-like steps add solid stability.
- Floor-to-ceiling windshield, large mirrors with integrated spot mirrors, and rearview camera provide industry leading all-around visibility.

Reduced Maintenance Time and Costs

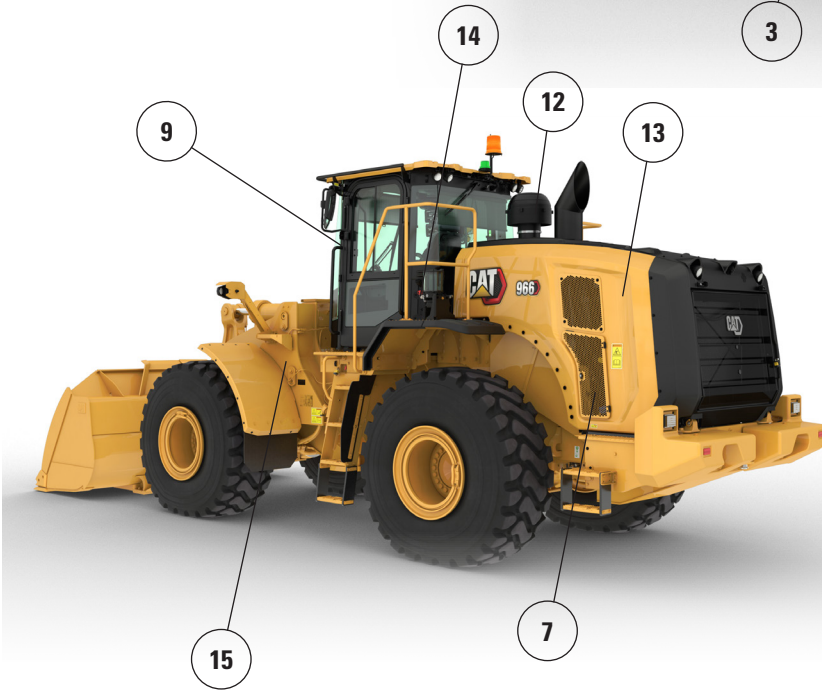
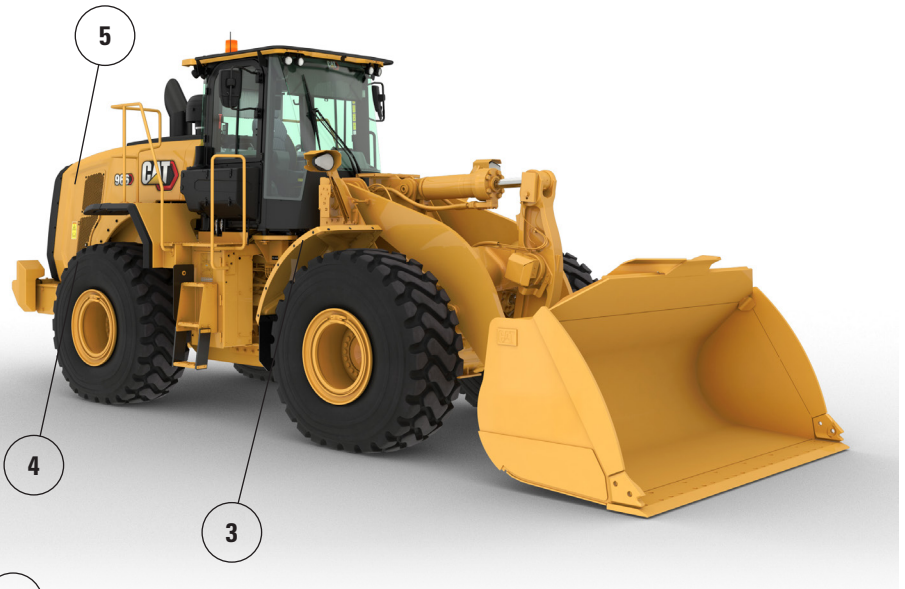
- Extended fluid and filter change intervals reduce maintenance costs by up to 20%.
- Remote Troubleshoot can connect the machine to the dealer service department to help diagnose problems quickly so you can get back to work.
- Remote Flash works around your schedule to ensure your machine's software is up to date for optimal performance.
- The Cat App helps you manage fleet location, hours, and maintenance schedules; it also alerts you for required maintenance and allows you to request service from your local Cat dealer.
- One-piece tilting hood makes engine compartment access fast and easy.

Work in Comfort in the All New Cab

- Optional powered cabin precleaner filters the incoming air and pressurize the cab.
- Next-generation, easily adjustable seat and suspension for improved operator comfort. It comes in three trim levels and can be equipped with a 4-point harness.
- New in-cab dashboard and high-resolution touch display(s) are easy to use, intuitive, and user friendly.
- Sound suppression, seals, and viscous cab mounts decrease noise and vibration for a quieter work environment.
- The seat-mounted electro-hydraulic joystick steering system provides precision control and dramatically reduces arm fatigue, resulting in excellent comfort and accuracy.

966 Corrosion Resistant Features

1. Silicon protection applied to all electric terminals
2. Shrinkable heat-tube on exposed electrical connectors
3. Zerust vapor capsules in electrical compartments
4. Grease points on hood articulation pins
5. Optional corrosion resistant cooling package: E-coated cooling cores, heavy-duty latch, and greaseable hinges
6. Optional hydraulic system protection that includes silicone sealant and heat shrinkable tubing over the couplings



7. Heavy-duty brushless alternator
8. Sealed disconnect switch
9. Grease points on the cab door hinges
10. Additional coats of paint. Extra primer coats are applied before the final polyurethane topcoat
11. Varnish protection applied to under hood components
12. Optional turbine precleaner
13. Optional variable pitch fan
14. Optional autolube system
15. Anti-corrosion transmission fill cover

Note: For machine performance data please refer to page 7.



オフロード法2014年
基準適合

For more complete information on Cat products, dealer services, and industry solutions, visit us on the web at www.cat.com.

Materials and specifications are subject to change without notice. Featured machines in photos may include additional equipment. See your Cat dealer for available options.

© 2022 Caterpillar. All Rights Reserved. CAT, CATERPILLAR, LET'S DO THE WORK, their respective logos, Product Link, Fusion, "Caterpillar Corporate Yellow", the "Power Edge" and Cat "Modern Hex" trade dress as well as corporate and product identity used herein, are trademarks of Caterpillar and may not be used without permission.

AEXQ3310-01 (12-2022)
Build Number: 14A
(N Am, Europe, Japan, China,
India, Korea, Turkey)

