



# 980

## Wheel Loader

# Technical Specifications

Not all attachments available in all regions. Consult your Cat® dealer for specific configurations available in your region.

## Table of Contents

<b>Specifications</b> .....	<b>2</b>
Engine .....	2
Buckets .....	2
Weight .....	2
Operating Specifications .....	2
Transmission .....	2
Hydraulic System .....	3
Brakes .....	3
Axles .....	3
Service Refill Capacities .....	3
Cab .....	3
Sound .....	3
Air Conditioning System .....	3
Dimensions .....	4
Tire Options .....	5
Bucket Fill Factors and Selection Guide .....	7
Operating Specifications – Buckets .....	9
Fork Specifications .....	27
Standard and Optional Equipment .....	67
<b>980 Waste &amp; Scrap Handler Configuration</b> .....	<b>69</b>
Key Features and Benefits .....	69
Tire Options .....	71
Operating Specifications – Buckets .....	73
Fork Specifications .....	83
<b>980 Forestry Machine Configuration</b> .....	<b>97</b>
Key Features and Benefits .....	97
Tire Options .....	99
Fork Specifications .....	100
<b>980 Steel Mill Configuration</b> .....	<b>104</b>
Key Features and Benefits .....	104
Tire Options .....	106
Operating Specifications – Buckets .....	108
<b>980 Block Handler Configuration</b> .....	<b>109</b>
Key Features and Benefits .....	109
Tire Options .....	111
Fork Specifications .....	112

# 980 Wheel Loader Specifications

## Engine

Engine Model	Cat C13	
Engine Power @ 1,800 rpm ISO 14396:2002	303 kW	406 hp
ISO 14396:2002 (DIN)	412 hp (metric)	
Gross Power @ 1,800 rpm SAE J1995:2014	307 kW	412 hp
SAE J1995:2014 (DIN)	417 hp (metric)	
Net Power @ 1,800 rpm ISO 9249:2007, SAE J1349:2011	282 kW	378 hp
ISO 9249:2007, SAE J1349:2011 (DIN)	383 hp (metric)	
Engine Torque (1,300 rpm) ISO 14396:2002	2172 N·m	1,602 lbf-ft
Gross Torque (1,300 rpm) SAE J1995:2014	2192 N·m	1,617 lbf-ft
Net Torque (1,000 rpm) ISO 9249:2007, SAE J1349:2011	2070 N·m	1,527 lbf-ft
Bore	130 mm	5.12 in
Stroke	157 mm	6.18 in
Displacement	12.5 L	763 in <sup>3</sup>

- Cat engine meets Brazil MAR-1 emission standards, equivalent to U.S. EPA Tier 3, EU Stage IIIA, and China Nonroad Stage III.
- The net power advertised is the power available at the flywheel when the engine is equipped with fan, alternator, air cleaner, and muffler.
- The gross power advertised is with the fan at maximum speed.
- Cat engines are compatible with diesel fuel blended with following lower-carbon intensity fuels up to:
  - 100% biodiesel FAME (fatty acid methyl ester)\*
  - 100% renewable diesel, HVO (hydrotreated vegetable oil) and GTL (gas-to-liquid) fuels

Refer to guidelines for successful application. Please consult your Cat dealer or “Caterpillar Machine Fluids Recommendations” (SEBU6250) for details.

\* For use of blends higher than 20% biodiesel, consult your Cat dealer.

## Buckets

Bucket Capacities	4.0-14.5 m <sup>3</sup>	5.25-19.0 yd <sup>3</sup>
-------------------	-------------------------	---------------------------

## Weight

Operating Weight	30 344 kg	66,877 lb
------------------	-----------	-----------

- Weight based on a machine configuration with Bridgestone 29.5R25 VSNT L4 radial tires, full fluids, operator, standard counterweight, ride control, cold start, roading fenders, Product Link™, open differential axles (front/rear), secondary steering, sound suppression, and a 5.4 m<sup>3</sup> (7.1 yd<sup>3</sup>) general purpose bucket with BOCE.

## Operating Specifications

Static Tipping Load – Full 40° Turn		
With Tire Deflection	19 706 kg	43,432 lb
No Tire Deflection	20 965 kg	46,208 lb
Breakout Force	227 kN	51,008 lbf

- For a machine configuration as defined under “Weight.”
- Full compliance to ISO 14397-1:2007 Sections 1 thru 6, which requires 2% verification between calculations and testing.

## Transmission

Forward 1	6.9 km/h	4.3 mph
Forward 2	13.3 km/h	8.3 mph
Forward 3	23.5 km/h	14.6 mph
Forward 4	39.5 km/h	24.5 mph
Reverse 1	7.8 km/h	4.8 mph
Reverse 2	15.2 km/h	9.4 mph
Reverse 3	26.9 km/h	16.7 mph
Reverse 4	39.5 km/h	24.5 mph

- Maximum travel speed in standard vehicle with empty bucket and standard L4 tires with 935 mm (37 in) roll radius.

# 980 Wheel Loader Specifications

## Hydraulic System

Implement Pump Type	Variable Displacement Piston, load sensing	
Implement System:		
Maximum Pump Output (2,250 rpm)	449 L/min	119 gal/min
Maximum Operating Pressure	34 300 kPa	4,975 psi
Optional 3 <sup>rd</sup> Function Maximum Flow	240 L/min	63 gal/min
Optional 3 <sup>rd</sup> Function Maximum Pressure at Work Tool	20 684 kPa	3,000 psi
Hydraulic Cycle Time with Rated Payload:		
Raise from Carry Position	5.3 sec	
Dump, at Maximum Raise	1.7 sec	
Lower, Empty, Float Down	3.1 sec	
Total	10.1 sec	

## Brakes

Brakes	Brakes meet ISO 3450:2011 standards
--------	-------------------------------------

## Axles

Front	Fixed
Rear	Oscillating

## Service Refill Capacities

Fuel Tank	426 L	112.5 gal
Cooling System	50 L	13.2 gal
Crankcase	37 L	9.8 gal
Transmission	77 L	20.3 gal
Differentials and Final Drives – Front	84 L	22.2 gal
Differentials and Final Drives – Rear	84 L	22.2 gal
Hydraulic Tank	153 L	40.4 gal

## Cab

ROPS/FOPS	ROPS/FOPS meet ISO 3471:2008 and ISO 3449:2005 Level II standards
-----------	---

## Sound Performance

Operator Sound Pressure Level (ISO 6396:2008)	75 dB(A)
Exterior Sound Power Level (ISO 6395:2008)	112 dB(A)
Operator Sound Pressure Level (ISO 6396:2008)*	72 dB(A)
Exterior Sound Power Level (ISO 6395:2008)**	109 dB(A)

\*Including countries that adopt the EU and UK Directives  
 \*\*EU Noise Directive 2000/14/EC and UK Noise Regulation 2001 No. 1701

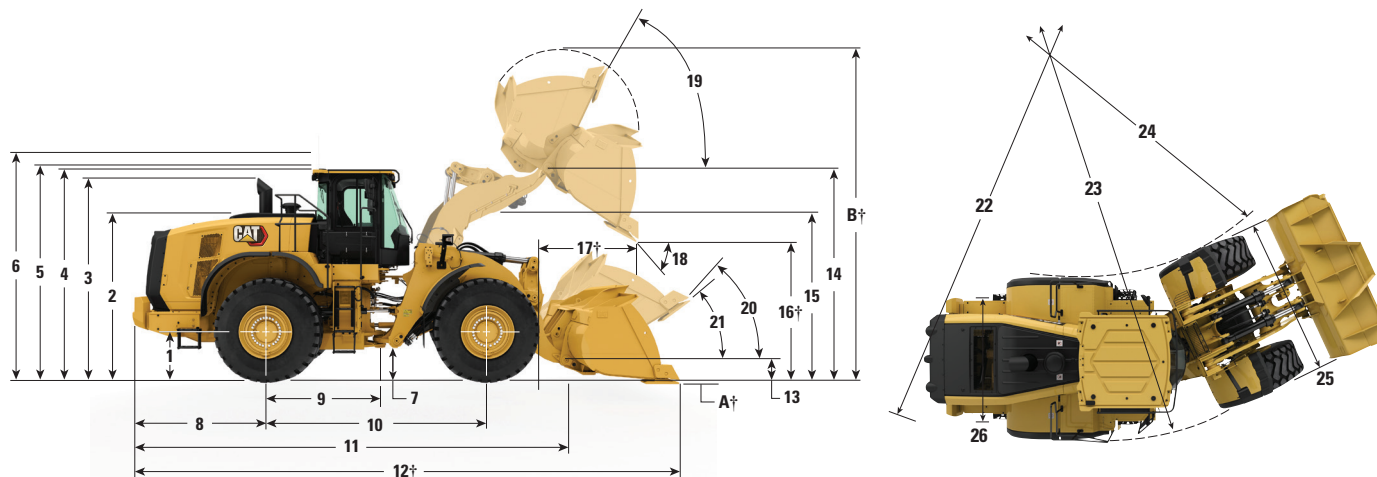
## Air Conditioning System

- The air conditioning system on this machine contains the fluorinated greenhouse gas refrigerant R134a (Global Warming Potential = 1430). The system contains 1.6 kg (3.52 lb) of refrigerant which has a CO<sub>2</sub> equivalent 2.288 metric tonnes (2.522 tons).

# 980 Wheel Loader Specifications

## Dimensions

All dimensions are approximate.



	Standard Lift		High Lift	
1 Height to Axle Centerline	899 mm	2'11"	899 mm	2'11"
2 Height to Top of Hood	3064 mm	10'1"	3064 mm	10'1"
3 Height to Top of Exhaust Pipe	3764 mm	12'5"	3764 mm	12'5"
4 Height to Top of ROPS	3829 mm	12'7"	3829 mm	12'7"
5 Height to Top of Product Link Antenna	3835 mm	12'7"	3835 mm	12'7"
6 Height to Top of Warning Beacon	4108 mm	13'6"	4108 mm	13'6"
7 Ground Clearance	456 mm	1'5"	456 mm	1'5"
8 Center Line of Rear Axle to Edge of Counterweight	2661 mm	8'9"	2661 mm	8'9"
9 Center Line of Rear Axle to Hitch	1900 mm	6'3"	1900 mm	6'3"
10 Wheelbase	3800 mm	12'6"	3800 mm	12'6"
11 Overall Length (without bucket)	8155 mm	26'10"	8355 mm	27'5"
12 Shipping Length (with bucket level on ground)*†	9673 mm	31'9"	9875 mm	32'5"
13 Hinge Pin Height at Carry Height	632 mm	2'0"	682 mm	2'2"
14 Hinge Pin Height at Maximum Lift	4554 mm	14'11"	4775 mm	15'7"
15 Lift Arm Clearance at Maximum Lift	3881 mm	12'8"	4125 mm	13'6"
16 Dump Clearance at Maximum Lift and 45° Discharge*†	3287 mm	10'9"	3508 mm	11'6"
17 Reach at Maximum Lift and 45° Discharge*†	1481 mm	4'10"	1484 mm	4'10"
18 Dump Angle at Maximum Lift and Dump (on stops)*	52 degrees		55 degrees	
19 Rack Back at Maximum Lift*	61 degrees		61 degrees	
20 Rack Back at Carry Height*	48 degrees		50 degrees	
21 Rack Back at Ground*	40 degrees		40 degrees	
22 Clearance Circle (dia) to Counterweight	13 692 mm	45'0"	13 692 mm	45'0"
23 Clearance Circle (dia) to Outside of Tires	13 700 mm	45'0"	13 700 mm	45'0"
24 Clearance Circle (dia) to Inside of Tires	7180 mm	23'7"	7180 mm	23'7"
25 Width over Tires (unloaded)	3240 mm	10'8"	3240 mm	10'8"
Width over Tires (loaded)	3260 mm	10'9"	3260 mm	10'9"
26 Tread Width	2440 mm	8'0"	2440 mm	8'0"

†Dimensions are listed in Operating Specifications charts.

All height and tire related dimensions are with Bridgestone 29.5R25 VSNT L4 radial tires (see Tire Option Chart for other tires). "Width over Tires" dimensions are over the bulge and include growth.

• All dimensions are approximate and based on machine equipped with 5.4 m<sup>3</sup> (7.1 yd<sup>3</sup>) general purpose bucket with BOCE and Bridgestone 29.5R25 VSNT L4 radial tires. (see Operating Specifications for other buckets)

# 980 Wheel Loader Specifications

## Tire Options

Tire Brand	Bridgestone	Michelin	Michelin	Michelin	Bridgestone	Michelin
Tire Size	29.5R25	29.5R25	29.5R25	29.5R25	29.5R25	29.5R25
Tread Type	L-4	L-4	L-5	L-5	L-3	L-3
Tread Pattern	VSNT	XLDD1	XLDD2	XMINED2	VJT	XHA2
Width over Tires – Maximum (empty)*	3240 mm 10'8"	3258 mm 10'9"	3256 mm 10'9"	3275 mm 10'9"	3263 mm 10'9"	3270 mm 10'9"
Width over Tires – Maximum (loaded)*	3260 mm 10'9"	3302 mm 10'10"	3296 mm 10'10"	3294 mm 10'10"	3289 mm 10'10"	3296 mm 10'10"
Change in Vertical Dimensions (average of front and rear)		-7 mm -0.3"	-6 mm -0.2"	5 mm 0.2"	-23 mm -0.9"	-40 mm -1.6"
Change in Horizontal Reach		-1 mm 0"	3 mm 0.1"	3 mm 0.1"	20 mm 0.8"	23 mm 0.9"
Change in Clearance Circle to Outside of Tires		42 mm 1.7"	36 mm 1.4"	34 mm 1.3"	29 mm 1.1"	36 mm 1.4"
Change in Clearance Circle to Inside of Tires		-42 mm -1.7"	-36 mm -1.4"	-34 mm -1.3"	-29 mm -1.1"	-36 mm -1.4"
Change in Operating Weight (without Ballast)		-156 kg -344 lb	208 kg 459 lb	532 kg 1,173 lb	-684 kg -1,508 lb	-700 kg -1,544 lb
Change in Static Tipping Load – Straight		-119 kg -262 lb	158 kg 349 lb	405 kg 892 lb	-520 kg -1,147 lb	-532 kg -1,174 lb
Change in Static Tipping Load – Articulated		-103 kg -228 lb	138 kg 304 lb	352 kg 777 lb	-453 kg -998 lb	-463 kg -1,022 lb
Rear Axle Oscillation Angle	±13 degrees	±13 degrees	±13 degrees	±13 degrees	±13 degrees	±13 degrees
Maximum Single-wheel Rise and Fall	549 mm 1'10"	549 mm 1'10"	549 mm 1'10"	549 mm 1'10"	549 mm 1'10"	549 mm 1'10"

\*Width over tire bulge and includes tire growth.

Tire Brand	Bridgestone	Bridgestone	Maxam	Maxam	Maxam	Brawler
Tire Size	29.5R25	29.5R25	29.5R25	29.5R25	29.5R25	29.5-25
Tread Type	L-5	L-5	L-3	L-4	L-5	Solid
Tread Pattern	VSNT	VSDL	MS302	MS405DX	MS503	Traction/Smooth
Width over Tires – Maximum (empty)*	3272 mm 10'9"	3250 mm 10'8"	3270 mm 10'9"	3256 mm 10'9"	3268 mm 10'9"	3227 mm 10'8"
Width over Tires – Maximum (loaded)*	3301 mm 10'10"	3275 mm 10'9"	3290 mm 10'10"	3282 mm 10'10"	3304 mm 10'11"	3230 mm 10'8"
Change in Vertical Dimensions (average of front and rear)	4 mm 0.1"	20 mm 0.8"	-19 mm -0.8"	-33 mm -1.3"	-6 mm -0.2"	9 mm 0.4"
Change in Horizontal Reach	0 mm 0"	-10 mm -0.4"	6 mm 0.2"	19 mm 0.7"	-3 mm -0.1"	30 mm 1.2"
Change in Clearance Circle to Outside of Tires	41 mm 1.6"	15 mm 0.6"	30 mm 1.2"	22 mm 0.9"	44 mm 1.7"	-30 mm -1.2"
Change in Clearance Circle to Inside of Tires	-41 mm -1.6"	-15 mm -0.6"	-30 mm -1.2"	-22 mm -0.9"	-44 mm -1.7"	30 mm 1.2"
Change in Operating Weight (without Ballast)	500 kg 1,103 lb	708 kg 1,561 lb	-528 kg -1,164 lb	-388 kg -856 lb	252 kg 556 lb	5772 kg 12,727 lb
Change in Static Tipping Load – Straight	380 kg 838 lb	538 kg 1,187 lb	-402 kg -885 lb	-295 kg -651 lb	192 kg 423 lb	4390 kg 9,679 lb
Change in Static Tipping Load – Articulated	331 kg 730 lb	469 kg 1,033 lb	-350 kg -771 lb	-257 kg -566 lb	167 kg 368 lb	3821 kg 8,425 lb
Rear Axle Oscillation Angle	±13 degrees	±13 degrees	±13 degrees	±13 degrees	±13 degrees	±8 degrees
Maximum Single-wheel Rise and Fall	549 mm 1'10"	549 mm 1'10"	549 mm 1'10"	549 mm 1'10"	549 mm 1'10"	340 mm 1'1"

\*Width over tire bulge and includes tire growth.

# 980 Wheel Loader Specifications

## Tire Options

Tire Brand	Michelin	Bridgestone	Bridgestone	Maxam
Tire Size	875/65R29	875/65R29	875/65R29	875/65R29
Tread Type	L-3	L-3	L-4	L-4
Tread Pattern	XHA2	VTS	VLTS	MS405DX
Width over Tires – Maximum (empty)*	3373 mm 11'1"	3341 mm 11'0"	3344 mm 11'0"	3357 mm 11'1"
Width over Tires – Maximum (loaded)*	3384 mm 11'2"	3359 mm 11'1"	3366 mm 11'1"	3382 mm 11'2"
Change in Vertical Dimensions (average of front and rear)	-25 mm -1"	-19 mm -0.8"	-16 mm -0.6"	-34 mm -1.3"
Change in Horizontal Reach	18 mm 0.7"	20 mm 0.8"	19 mm 0.7"	19 mm 0.7"
Change in Clearance Circle to Outside of Tires	124 mm 4.9"	99 mm 3.9"	106 mm 4.2"	122 mm 4.8"
Change in Clearance Circle to Inside of Tires	-124 mm -4.9"	-99 mm -3.9"	-106 mm -4.2"	-122 mm -4.8"
Change in Operating Weight (without Ballast)	-40 kg -88 lb	240 kg 529 lb	316 kg 697 lb	308 kg 679 lb
Change in Static Tipping Load – Straight	-30 kg -67 lb	183 kg 402 lb	240 kg 530 lb	234 kg 516 lb
Change in Static Tipping Load – Articulated	-26 kg -58 lb	159 kg 350 lb	209 kg 461 lb	204 kg 450 lb
Rear Axle Oscillation Angle	±8 degrees	±8 degrees	±8 degrees	±8 degrees
Maximum Single-wheel Rise and Fall	340 mm 1'1"	340 mm 1'1"	340 mm 1'1"	340 mm 1'1"

\*Width over tire bulge and includes tire growth.

# 980 Wheel Loader Specifications

## Bucket Fill Factors and Selection Guide

The bucket size must be chosen based on the density of the material and on the expected fill factor. The Cat Performance Series Buckets with longer floor, larger bucket opening, increased repository angle, rounded side boards and integrated spill guard demonstrate fill factors significantly higher than previous generation or non-Cat buckets. The actual volume handled by the machine is thus often larger than the rated capacity.

Loose Material		Fill Factor (%)*	Material Density
Earth/Clay		115	1.5-1.7
Sand and Gravel		115	1.5-1.7
Aggregate:	25-76 mm (1 to 3 in)	110	1.6-1.7
	19 mm (0.75 in) and smaller	105	1.8
Rock:	76 mm (3 in) and larger	100	1.6

\*As a % of ISO 7546:1983 rated capacity.

**Note:** Fill Factors achieved will also depend on whether the product is washed or not washed.

Material Density	kg/m <sup>3</sup>	900	1000	1100	1200	1300	1400	1500	1600	1700	1800	1900	2000	2100	2200	2300	2400
Standard Linkage Pin On General Purpose	5.4 m <sup>3</sup> (7 yd <sup>3</sup> )								6.2 m <sup>3</sup> (8 yd <sup>3</sup> )				5.4 m <sup>3</sup> (7 yd <sup>3</sup> )				
	5.7 m <sup>3</sup> (7.5 yd <sup>3</sup> )								6.6 m <sup>3</sup> (8.5 yd <sup>3</sup> )				5.7 m <sup>3</sup> (7.5 yd <sup>3</sup> )				
	6 m <sup>3</sup> (7.75 yd <sup>3</sup> )							6.9 m <sup>3</sup> (9 yd <sup>3</sup> )				6 m <sup>3</sup> (7.75 yd <sup>3</sup> )					
	6.4 m <sup>3</sup> (8.25 yd <sup>3</sup> )						7.4 m <sup>3</sup> (9.75 yd <sup>3</sup> )			6.4 m <sup>3</sup> (8.25 yd <sup>3</sup> )							
Standard Linkage Hook On General Purpose	5.4 m <sup>3</sup> (7 yd <sup>3</sup> )								6.2 m <sup>3</sup> (8 yd <sup>3</sup> )				5.4 m <sup>3</sup> (7 yd <sup>3</sup> )				
	5.7 m <sup>3</sup> (7.5 yd <sup>3</sup> )								6.6 m <sup>3</sup> (8.5 yd <sup>3</sup> )				5.7 m <sup>3</sup> (7.5 yd <sup>3</sup> )				
High Lift Pin On General Purpose	5.4 m <sup>3</sup> (7 yd <sup>3</sup> )								6.2 m <sup>3</sup> (8 yd <sup>3</sup> )				5.4 m <sup>3</sup> (7 yd <sup>3</sup> )				
	5.7 m <sup>3</sup> (7.5 yd <sup>3</sup> )								6.6 m <sup>3</sup> (8.5 yd <sup>3</sup> )				5.7 m <sup>3</sup> (7.5 yd <sup>3</sup> )				
	6 m <sup>3</sup> (7.75 yd <sup>3</sup> )								6.9 m <sup>3</sup> (9 yd <sup>3</sup> )				6 m <sup>3</sup> (7.75 yd <sup>3</sup> )				
	6.4 m <sup>3</sup> (8.25 yd <sup>3</sup> )							7.4 m <sup>3</sup> (9.75 yd <sup>3</sup> )				6.4 m <sup>3</sup> (8.25 yd <sup>3</sup> )					
Aggregate Handler Pin On General Purpose	5.4 m <sup>3</sup> (7 yd <sup>3</sup> )									6.2 m <sup>3</sup> (8 yd <sup>3</sup> )				5.4 m <sup>3</sup> (7 yd <sup>3</sup> )			
	5.7 m <sup>3</sup> (7.5 yd <sup>3</sup> )									6.6 m <sup>3</sup> (8.5 yd <sup>3</sup> )				5.7 m <sup>3</sup> (7.5 yd <sup>3</sup> )			
	6 m <sup>3</sup> (7.75 yd <sup>3</sup> )									6.9 m <sup>3</sup> (9 yd <sup>3</sup> )				6 m <sup>3</sup> (7.75 yd <sup>3</sup> )			
	6.4 m <sup>3</sup> (8.25 yd <sup>3</sup> )								7.4 m <sup>3</sup> (9.75 yd <sup>3</sup> )				6.4 m <sup>3</sup> (8.25 yd <sup>3</sup> )				
Material Density	lb/yd <sup>3</sup>	1,517	1,685	1,854	2,022	2,191	2,359	2,528	2,696	2,865	3,033	3,202	3,370	3,539	3,707	3,876	4,044
Bucket Fill Factor																	
115% 110% 105% 100% 95%																	



**Note:** All buckets are showing Bolt-On Edges.

# 980 Wheel Loader Specifications

## Bucket Fill Factors and Selection Guide

The bucket size must be chosen based on the density of the material and on the expected fill factor. The Cat Performance Series Buckets with longer floor, larger bucket opening, increased repository angle, rounded side boards and integrated spill guard demonstrate fill factors significantly higher than previous generation or non-Cat buckets. The actual volume handled by the machine is thus often larger than the rated capacity.

Loose Material		Fill Factor (%)*	Material Density
Earth/Clay		115	1.5-1.7
Sand and Gravel		115	1.5-1.7
Aggregate:	25-76 mm (1 to 3 in)	110	1.6-1.7
	19 mm (0.75 in) and smaller	105	1.8
Rock:	76 mm (3 in) and larger	100	1.6

\*As a % of ISO 7546:1983 rated capacity.

**Note:** Fill Factors achieved will also depend on whether the product is washed or not washed.

Material Density	kg/m <sup>3</sup>	300	400	500	600	700	800	900	1000	1100	1200	1300	1400	1500	1600	1700	1800	1900	2000	2100	2200	2300					
Standard Linkage	Pin On	Rock, Spade	4.2 m <sup>3</sup> (5.5 yd <sup>3</sup> )																								
			4.5 m <sup>3</sup> (6 yd <sup>3</sup> )																								
		Coal	8.2 m <sup>3</sup> (10.75 yd <sup>3</sup> )																								
	Hook On	Waste	10.7 m <sup>3</sup> (14 yd <sup>3</sup> )																								
			12.3 m <sup>3</sup> (16 yd <sup>3</sup> )																								
		Woodchip	14.5 m <sup>3</sup> (19 yd <sup>3</sup> )																								
		14.3 m <sup>3</sup> (18.75 yd <sup>3</sup> )																									
High Lift	Pin On	Rock	4 m <sup>3</sup> (5.25 yd <sup>3</sup> )																								
			4.6 m <sup>3</sup> (6 yd <sup>3</sup> )																								
		Rock, Spade	4.2 m <sup>3</sup> (5.5 yd <sup>3</sup> )																								
		4.5 m <sup>3</sup> (6 yd <sup>3</sup> )																									
	Pin On	Coal	8.2 m <sup>3</sup> (10.75 yd <sup>3</sup> )																								
			7.4 m <sup>3</sup> (9.75 yd <sup>3</sup> )																								
Waste		10.7 m <sup>3</sup> (14 yd <sup>3</sup> )																									
		12.3 m <sup>3</sup> (16 yd <sup>3</sup> )																									
Aggregate Handler	Pin On	Coal	8.2 m <sup>3</sup> (10.75 yd <sup>3</sup> )																								
			9.4 m <sup>3</sup> (12.25 yd <sup>3</sup> )																								
		Waste	10.7 m <sup>3</sup> (14 yd <sup>3</sup> )																								
		12.3 m <sup>3</sup> (16 yd <sup>3</sup> )																									
		Woodchip	14.5 m <sup>3</sup> (19 yd <sup>3</sup> )																								
			16.7 m <sup>3</sup> (21.75 yd <sup>3</sup> )																								
			12 m <sup>3</sup> (15.75 yd <sup>3</sup> )																								
Material Density	lb/yd <sup>3</sup>	506	674	843	1,011	1,180	1,348	1,517	1,685	1,854	2,022	2,191	2,359	2,528	2,696	2,865	3,033	3,202	3,370	3,539	3,707	3,876					
Bucket Fill Factor																											

**Note:** All buckets are showing Bolt-On Edges.



# 980 Wheel Loader Specifications

## Operating Specifications – Buckets

Linkage		Standard Linkage					
Bucket Type		General Purpose – Pin On					
Edge Type		Bolt-On Cutting Edges	Teeth and Segments	Tips	Bolt-On Cutting Edges	Teeth and Segments	Tips
Capacity – Rated	m <sup>3</sup>	5.40	5.40	5.00	5.70	5.70	5.30
	yd <sup>3</sup>	7.00	7.00	6.50	7.50	7.50	7.00
Capacity – Rated at 110% Fill Factor	m <sup>3</sup>	5.90	5.90	5.50	6.30	6.30	5.80
	yd <sup>3</sup>	7.75	7.75	7.25	8.25	8.25	7.50
Width	mm	3447	3535	3535	3447	3535	3535
	ft/in	11'3"	11'7"	11'7"	11'3"	11'7"	11'7"
<b>16†</b> Dump Clearance at Maximum Lift and 45° Discharge	mm	3287	3121	3121	3219	3051	3051
	ft/in	10'9"	10'2"	10'2"	10'6"	10'0"	10'0"
<b>17†</b> Reach at Maximum Lift and 45° Discharge	mm	1481	1618	1618	1529	1664	1664
	ft/in	4'10"	5'3"	5'3"	5'0"	5'5"	5'5"
Reach at Level Lift Arm and Bucket Level	mm	2966	3177	3177	3050	3261	3261
	ft/in	9'8"	10'5"	10'5"	10'0"	10'8"	10'8"
<b>A†</b> Digging Depth	mm	88	88	53	88	88	53
	in	3.4"	3.4"	2.1"	3.4"	3.4"	2.1"
<b>12†</b> Overall Length	mm	9673	9915	9915	9757	9999	9999
	ft/in	31'9"	32'7"	32'7"	32'1"	32'10"	32'10"
<b>B†</b> Overall Height with Bucket at Maximum Lift	mm	6435	6435	6435	6258	6258	6258
	ft/in	21'2"	21'2"	21'2"	20'7"	20'7"	20'7"
Loader Clearance Circle Radius with Bucket at Carry Position	mm	7612	7725	7725	7635	7749	7749
	ft/in	25'0"	25'5"	25'5"	25'1"	25'6"	25'6"
Static Tipping Load, Straight (ISO)*	kg	22 809	22 623	23 066	22 564	22 377	22 817
	lb	50,271	49,861	50,839	49,732	49,321	50,288
Static Tipping Load, Straight (Rigid Tire)*	kg	24 219	24 032	24 493	23 977	23 788	24 245
	lb	53,380	52,967	53,984	52,845	52,429	53,436
Static Tipping Load, Articulated (ISO)*	kg	19 706	19 520	19 936	19 478	19 291	19 703
	lb	43,432	43,022	43,939	42,931	42,518	43,427
Static Tipping Load, Articulated (Rigid Tire)*	kg	20 965	20 777	21 209	20 740	20 552	20 979
	lb	46,208	45,794	46,745	45,713	45,296	46,239
Breakout Force (§)	kN	227	224	242	214	211	227
	lbf	51,008	50,477	54,405	48,132	47,613	51,158
Operating Weight*	kg	30 344	30 482	30 307	30 427	30 565	30 390
	lb	66,877	67,182	66,795	67,060	67,365	66,978

\* Static tipping loads and operating weights shown are based on a machine configuration with Bridgestone 29.5R25 VSNT L4 radial tires, full fluids, operator, standard counterweight, ride control, cold start, roading fenders, power train guard, secondary steering and sound suppression.

† Illustration shown with Dimension charts.

\*\*\* Rock bucket specifications are given on Bridgestone 29.5R25 VSDT L5 Radial tires.

(§) Measured 102 mm (4") behind tip of cutting edge with bucket hinge pin as pivot point in accordance with SAE J732C.

(§) Specifications and ratings conform to all applicable standards recommended by the Society of Automotive Engineers, including SAE Standard J732C governing loader ratings.

(ISO) Full compliance to ISO 14397-1:2007 Sections 1 thru 6, which requires 2% verification between calculations and testing.

(Rigid Tire) Compliance to ISO 14397-1:2007 Sections 1 thru 5.

Other buckets are available and offerings vary by region. Consult your local Cat dealer for further details.

# 980 Wheel Loader Specifications

## Operating Specifications – Buckets (continued)

Linkage		Standard Linkage					
Bucket Type		General Purpose – Pin On					
Edge Type		Bolt-On Cutting Edges	Teeth and Segments	Tips	Bolt-On Cutting Edges	Teeth and Segments	Tips
Capacity – Rated	m <sup>3</sup>	6.00	6.00	5.80	6.40	6.40	6.10
	yd <sup>3</sup>	7.75	7.75	7.50	8.25	8.25	8.00
Capacity – Rated at 110% Fill Factor	m <sup>3</sup>	6.60	6.60	6.40	7.00	7.00	6.70
	yd <sup>3</sup>	8.75	8.75	8.25	9.25	9.25	8.75
Width	mm	3447	3535	3535	3447	3535	3535
	ft/in	11'3"	11'7"	11'7"	11'3"	11'7"	11'7"
<b>16</b> † Dump Clearance at Maximum Lift and 45° Discharge	mm	3201	3034	3034	3145	2977	2977
	ft/in	10'6"	9'11"	9'11"	10'3"	9'9"	9'9"
<b>17</b> † Reach at Maximum Lift and 45° Discharge	mm	1551	1686	1686	1603	1737	1737
	ft/in	5'1"	5'6"	5'6"	5'3"	5'8"	5'8"
Reach at Level Lift Arm and Bucket Level	mm	3078	3289	3289	3155	3366	3366
	ft/in	10'1"	10'9"	10'9"	10'4"	11'0"	11'0"
<b>A</b> † Digging Depth	mm	88	88	53	88	88	53
	in	3.4"	3.4"	2.1"	3.4"	3.4"	2.1"
<b>12</b> † Overall Length	mm	9785	10 027	10027	9862	10 104	10 104
	ft/in	32'2"	32'11"	32'11"	32'5"	33'2"	33'2"
<b>B</b> † Overall Height with Bucket at Maximum Lift	mm	6284	6284	6284	6604	6604	6604
	ft/in	20'8"	20'8"	20'8"	21'8"	21'8"	21'8"
Loader Clearance Circle Radius with Bucket at Carry Position	mm	7643	7757	7757	7664	7779	7779
	ft/in	25'1"	25'6"	25'6"	25'2"	25'7"	25'7"
Static Tipping Load, Straight (ISO)*	kg	22 424	22 237	22 672	22 253	22 064	22 530
	lb	49,423	49,011	49,970	49,046	48,631	49,657
Static Tipping Load, Straight (Rigid Tire)*	kg	23 839	23 649	24 103	23 676	23 485	23 969
	lb	52,541	52,124	53,123	52,182	51,762	52,829
Static Tipping Load, Articulated (ISO)*	kg	19 343	19 155	19 564	19 183	18 994	19 429
	lb	42,632	42,219	43,119	42,280	41,864	42,822
Static Tipping Load, Articulated (Rigid Tire)*	kg	20 608	20 418	20 843	20 457	20 266	20 717
	lb	45,420	45,002	45,938	45,087	44,667	45,661
Breakout Force (§)	kN	210	207	222	199	197	211
	lbf	47,182	46,666	50,092	44,880	44,374	47,515
Operating Weight*	kg	30 523	30 661	30 486	30 585	30 723	30 548
	lb	67,272	67,577	67,190	67,408	67,713	67,326

\* Static tipping loads and operating weights shown are based on a machine configuration with Bridgestone 29.5R25 VSNT L4 radial tires, full fluids, operator, standard counterweight, ride control, cold start, roading fenders, power train guard, secondary steering and sound suppression.

† Illustration shown with Dimension charts.

\*\*\* Rock bucket specifications are given on Bridgestone 29.5R25 VSDT L5 Radial tires.

(§) Measured 102 mm (4") behind tip of cutting edge with bucket hinge pin as pivot point in accordance with SAE J732C.

(§) Specifications and ratings conform to all applicable standards recommended by the Society of Automotive Engineers, including SAE Standard J732C governing loader ratings.

(ISO) Full compliance to ISO 14397-1:2007 Sections 1 thru 6, which requires 2% verification between calculations and testing.

(Rigid Tire) Compliance to ISO14397-1:2007 Sections 1 thru 5.

Other buckets are available and offerings vary by region. Consult your local Cat dealer for further details.

# 980 Wheel Loader Specifications

## Operating Specifications – Buckets (continued)

Linkage		Standard Linkage				
Bucket Type		Pin On – Coal	Pin On – Woodchip	Pin On – Waste		Pin On – Waste, Dozing
Edge Type		Bolt-On Cutting Edges	Bolt-On Cutting Edges	Bolt-On Cutting Edges	Rubber Edge	Bolt-On Cutting Edges
Capacity – Rated	m <sup>3</sup>	8.20	14.50	10.70	10.70	9.90
	yd <sup>3</sup>	10.75	19.00	14.00	14.00	13.00
Capacity – Rated at 110% Fill Factor	m <sup>3</sup>	9.00	16.00	11.80	11.80	10.90
	yd <sup>3</sup>	11.75	21.00	15.50	15.50	14.25
Width	mm	3638	4434	3882	3882	3882
	ft/in	11'11"	14'6"	12'8"	12'8"	12'8"
<b>16</b> † Dump Clearance at Maximum Lift and 45° Discharge	mm	2931	2739	2834	2755	3067
	ft/in	9'7"	8'11"	9'3"	9'0"	10'0"
<b>17</b> † Reach at Maximum Lift and 45° Discharge	mm	1625	1802	1693	1620	1460
	ft/in	5'4"	5'10"	5'6"	5'3"	4'9"
Reach at Level Lift Arm and Bucket Level	mm	3336	3597	3453	3457	3123
	ft/in	10'11"	11'9"	11'3"	11'4"	10'2"
<b>A</b> † Digging Depth	mm	93	104	74	74	114
	in	3.6"	4.1"	2.9"	2.9"	4.5"
<b>12</b> † Overall Length	mm	10 047	10 317	10 181	10 265	9851
	ft/in	33'0"	33'11"	33'5"	33'9"	32'4"
<b>B</b> † Overall Height with Bucket at Maximum Lift	mm	6551	7047	6958	6958	7130
	ft/in	21'6"	23'2"	22'10"	22'10"	23'5"
Loader Clearance Circle Radius with Bucket at Carry Position	mm	7805	8243	7956	7995	7863
	ft/in	25'8"	27'1"	26'2"	26'3"	25'10"
Static Tipping Load, Straight (ISO)*	kg	21 810	21 013	20 785	20 918	23 001
	lb	48,069	46,314	45,810	46,103	50,695
Static Tipping Load, Straight (Rigid Tire)*	kg	23 281	22 640	22 296	22 432	24 756
	lb	51,313	49,898	49,141	49,441	54,563
Static Tipping Load, Articulated (ISO)*	kg	18 738	17 862	17 728	17 861	19 707
	lb	41,300	39,368	39,072	39,366	43,436
Static Tipping Load, Articulated (Rigid Tire)*	kg	20 060	19 328	19 089	19 225	21 287
	lb	44,213	42,600	42,073	42,373	46,917
Breakout Force (§)	kN	177	151	172	170	204
	lbf	39,906	33,932	38,687	38,377	45,993
Operating Weight*	kg	30 931	32 192	31 817	31 733	31 581
	lb	68,171	70,951	70,124	69,939	69,605

\* Static tipping loads and operating weights shown are based on a machine configuration with Bridgestone 29.5R25 VSNT L4 radial tires, full fluids, operator, standard counterweight, ride control, cold start, roading fenders, power train guard, secondary steering and sound suppression.

† Illustration shown with Dimension charts.

\*\*\* Rock bucket specifications are given on Bridgestone 29.5R25 VSDT L5 Radial tires.

(§) Measured 102 mm (4") behind tip of cutting edge with bucket hinge pin as pivot point in accordance with SAE J732C.

(§) Specifications and ratings conform to all applicable standards recommended by the Society of Automotive Engineers, including SAE Standard J732C governing loader ratings.

(ISO) Full compliance to ISO 14397-1:2007 Sections 1 thru 6, which requires 2% verification between calculations and testing.

(Rigid Tire) Compliance to ISO 14397-1:2007 Sections 1 thru 5.

Other buckets are available and offerings vary by region. Consult your local Cat dealer for further details.

# 980 Wheel Loader Specifications

## Operating Specifications – Buckets (continued)

Linkage		Standard Linkage									
		Flat Floor – Pin On			Flat Floor – Pin On HD BGE	Flat Floor – Pin On – BGE	Flat Floor – Pin On – Light Material				
Bucket Type		Bolt-On Cutting Edges	Teeth and Segments	Tips	Flush Mounted Tips	Flush Mounted Tips	Bolt-On Cutting Edges (Steel)	Bolt-On Cutting Edges (Rubber)	Bolt-On Cutting Edges (Steel)	Bolt-On Cutting Edges (Rubber)	
Edge Type											
Capacity – Rated	m <sup>3</sup>	5.70	5.70	5.50	5.60	5.70	9.90	9.90	10.70	10.70	
	yd <sup>3</sup>	7.50	7.50	7.25	7.25	7.50	13.00	13.00	14.00	14.00	
Capacity – Rated at 110% Fill Factor	m <sup>3</sup>	6.30	6.30	6.10	6.20	6.30	10.90	10.90	11.80	11.80	
	yd <sup>3</sup>	8.25	8.25	8.00	8.00	8.25	14.25	14.25	15.50	15.50	
Width	mm	3447	3535	3535	3580	3580	3882	3882	3882	3882	
	ft/in	11'3"	11'7"	11'7"	11'8"	11'8"	12'8"	12'8"	12'8"	12'8"	
16† Dump Clearance at Maximum Lift and 45° Discharge	mm	3120	2943	2943	3216	2976	3067	2989	2834	2755	
	ft/in	10'2"	9'7"	9'7"	10'6"	9'9"	10'0"	9'9"	9'3"	9'0"	
17† Reach at Maximum Lift and 45° Discharge	mm	1444	1566	1566	1389	1627	1460	1387	1693	1620	
	ft/in	4'8"	5'1"	5'1"	4'6"	5'4"	4'9"	4'6"	5'6"	5'3"	
Reach at Level Lift Arm and Bucket Level	mm	3075	3286	3286	2968	3306	3123	3127	3453	3457	
	ft/in	10'1"	10'9"	10'9"	9'8"	10'10"	10'2"	10'3"	11'3"	11'4"	
A† Digging Depth	mm	88	88	53	59	59	74	74	74	74	
	in	3.4"	3.4"	2.1"	2.3"	2.3"	2.9"	2.9"	2.9"	2.9"	
12† Overall Length	mm	9782	10 024	10 024	9652	9991	9851	9935	10 181	10 265	
	ft/in	32'2"	32'11"	32'11"	31'8"	32'10"	32'4"	32'8"	33'5"	33'9"	
B† Overall Height with Bucket at Maximum Lift	mm	6257	6257	6257	6500	6493	7169	7169	6946	6946	
	ft/in	20'7"	20'7"	20'7"	21'4"	21'4"	23'7"	23'7"	22'10"	22'10"	
Loader Clearance Circle Radius with Bucket at Carry Position	mm	7642	7756	7756	7662	7757	7863	7904	7956	7995	
	ft/in	25'1"	25'6"	25'6"	25'2"	25'6"	25'10"	25'12"	26'2"	26'3"	
Static Tipping Load, Straight (ISO)*	kg	22 062	21 878	22 298	21 379	21 422	23 032	23 164	20 900	21 030	
	lb	48,626	48,220	49,146	47,120	47,215	50,762	51,054	46,065	46,350	
Static Tipping Load, Straight (Rigid Tire)*	kg	23 432	23 246	23 682	22 749	22 792	24 808	24 944	22 413	22 545	
	lb	51,644	51,234	52,195	50,139	50,234	54,677	54,978	49,398	49,689	
Static Tipping Load, Articulated (ISO)*	kg	19 030	18 846	19 241	18 321	18 365	19 728	19 860	17 843	17 972	
	lb	41,943	41,536	42,407	40,380	40,476	43,481	43,773	39,327	39,612	
Static Tipping Load, Articulated (Rigid Tire)*	kg	20 254	20 068	20 477	19 543	19 586	21 330	21 466	19 206	19 338	
	lb	44,640	44,230	45,132	43,074	43,169	47,011	47,312	42,330	42,622	
Breakout Force (§)	kN	210	208	223	222	222	213	211	172	171	
	lbf	47,288	46,772	50,212	50,021	50,063	47,906	47,479	38,805	38,491	
Operating Weight*	kg	30 552	30 690	30 515	31 363	31 311	31 478	31 396	31 706	31 623	
	lb	67,336	67,641	67,254	69,123	69,010	69,377	69,196	69,879	69,696	

\*Static tipping loads and operating weights shown are based on a machine configuration with Bridgestone 29.5R25 VSNT L4 radial tires, full fluids, operator, standard counterweight, ride control, cold start, roading fenders, power train guard, secondary steering and sound suppression.

† Illustration shown with Dimension charts.

\*\*\*Rock bucket specifications are given on Bridgestone 29.5R25 VSDT L5 Radial tires.

(§) Measured 102 mm (4") behind tip of cutting edge with bucket hinge pin as pivot point in accordance with SAE J732C.

(§) Specifications and ratings conform to all applicable standards recommended by the Society of Automotive Engineers, including SAE Standard J732C governing loader ratings.

(ISO) Full compliance to ISO 14397-1:2007 Sections 1 thru 6, which requires 2% verification between calculations and testing.

(Rigid Tire) Compliance to ISO 14397-1:2007 Sections 1 thru 5.

Other buckets are available and offerings vary by region. Consult your local Cat dealer for further details.

# 980 Wheel Loader Specifications

## Operating Specifications – Buckets (continued)

Linkage		Standard Linkage					
Bucket Type		Rock, Spade*** – Pin On				Rock, Spade HD*** – Pin On	
Edge Type		Tips	Teeth and Segments	Tips	Teeth and Segments	Tips	Teeth and Segments
Capacity – Rated	m <sup>3</sup>	4.20	4.40	4.50	4.70	4.20	4.30
	yd <sup>3</sup>	5.50	5.75	6.00	6.25	5.50	5.50
Capacity – Rated at 110% Fill Factor	m <sup>3</sup>	4.60	4.80	5.00	5.20	4.60	4.70
	yd <sup>3</sup>	6.00	6.25	6.50	6.75	6.00	6.25
Width	mm	3524	3524	3524	3524	3546	3546
	ft/in	11'6"	11'6"	11'6"	11'6"	11'7"	11'7"
16† Dump Clearance at Maximum Lift and 45° Discharge	mm	3132	3132	3133	3133	3223	3223
	ft/in	10'3"	10'3"	10'3"	10'3"	10'6"	10'6"
17† Reach at Maximum Lift and 45° Discharge	mm	1768	1768	1767	1767	1724	1724
	ft/in	5'9"	5'9"	5'9"	5'9"	5'7"	5'7"
Reach at Level Lift Arm and Bucket Level	mm	3279	3279	3278	3278	3184	3184
	ft/in	10'9"	10'9"	10'9"	10'9"	10'5"	10'5"
A† Digging Depth	mm	48	83	48	83	40	75
	in	1.9"	3.2"	1.9"	3.2"	1.5"	2.9"
12† Overall Length	mm	9992	9992	9991	9991	9894	9894
	ft/in	32'10"	32'10"	32'10"	32'10"	32'6"	32'6"
B† Overall Height with Bucket at Maximum Lift	mm	6202	6202	6193	6193	6415	6415
	ft/in	20'5"	20'5"	20'4"	20'4"	21'1"	21'1"
Loader Clearance Circle Radius with Bucket at Carry Position	mm	7740	7740	7739	7739	7721	7721
	ft/in	25'5"	25'5"	25'5"	25'5"	25'4"	25'4"
Static Tipping Load, Straight (ISO)*	kg	23 913	23 435	23 543	23 050	23 696	23 246
	lb	52,705	51,651	51,890	50,804	52,226	51,235
Static Tipping Load, Straight (Rigid Tire)*	kg	25 353	24 871	24 986	24 489	25 210	24 750
	lb	55,879	54,817	55,070	53,974	55,564	54,550
Static Tipping Load, Articulated (ISO)*	kg	20 702	20 232	20 347	19 866	20 430	19 986
	lb	45,628	44,593	44,846	43,784	45,027	44,050
Static Tipping Load, Articulated (Rigid Tire)*	kg	21 985	21 513	21 635	21 149	21 781	21 328
	lb	48,456	47,415	47,683	46,613	48,006	47,007
Breakout Force (§)	kN	230	213	229	212	248	228
	lbf	51,746	47,885	51,543	47,693	55,815	51,417
Operating Weight*	kg	30 729	31 030	31 025	31 327	31 266	31 567
	lb	67,725	68,390	68,378	69,043	68,909	69,574

\* Static tipping loads and operating weights shown are based on a machine configuration with Bridgestone 29.5R25 VSNT L4 radial tires, full fluids, operator, standard counterweight, ride control, cold start, roading fenders, power train guard, secondary steering and sound suppression.

† Illustration shown with Dimension charts.

\*\*\* Rock bucket specifications are given on Bridgestone 29.5R25 VSDT L5 Radial tires.

(§) Measured 102 mm (4") behind tip of cutting edge with bucket hinge pin as pivot point in accordance with SAE J732C.

(§) Specifications and ratings conform to all applicable standards recommended by the Society of Automotive Engineers, including SAE Standard J732C governing loader ratings.

(ISO) Full compliance to ISO 14397-1:2007 Sections 1 thru 6, which requires 2% verification between calculations and testing.

(Rigid Tire) Compliance to ISO 14397-1:2007 Sections 1 thru 5.

Other buckets are available and offerings vary by region. Consult your local Cat dealer for further details.

# 980 Wheel Loader Specifications

## Operating Specifications – Buckets *(continued)*

Linkage		Standard Linkage							Hook On – Fusion – Woodchip
Bucket Type		Hook On – Fusion™ – General Purpose						Bolt-On Cutting Edges	
Edge Type		Bolt-On Cutting Edges	Teeth and Segments	Tips	Bolt-On Cutting Edges	Teeth and Segments	Tips	Bolt-On Cutting Edges	
Capacity – Rated	m <sup>3</sup>	5.40	5.40	5.00	5.70	5.70	5.30	14.50	
	yd <sup>3</sup>	7.00	7.00	6.50	7.50	7.50	7.00	19.00	
Capacity – Rated at 110% Fill Factor	m <sup>3</sup>	5.90	5.90	5.50	6.30	6.30	5.80	16.00	
	yd <sup>3</sup>	7.75	7.75	7.25	8.25	8.25	7.50	21.00	
Width	mm	3447	3535	3535	3447	3535	3535	4433.4	
	ft/in	11'3"	11'7"	11'7"	11'3"	11'7"	11'7"	14'6"	
<b>16</b> † Dump Clearance at Maximum Lift and 45° Discharge	mm	3183	3017	3017	3117	2950	2950	2668	
	ft/in	10'5"	9'10"	9'10"	10'2"	9'8"	9'8"	8'9"	
<b>17</b> † Reach at Maximum Lift and 45° Discharge	mm	1588	1724	1724	1640	1775	1775	1915	
	ft/in	5'2"	5'7"	5'7"	5'4"	5'9"	5'9"	6'3"	
Reach at Level Lift Arm and Bucket Level	mm	3116	3327	3327	3200	3411	3411	3727	
	ft/in	10'2"	10'11"	10'11"	10'6"	11'2"	11'2"	12'2"	
<b>A</b> † Digging Depth	mm	93	93	58	93	93	58	75	
	in	3.6"	3.6"	2.3"	3.6"	3.6"	2.3"	2.9"	
<b>12</b> † Overall Length	mm	9827	10 069	10 069	9911	10 153	10 153	10 423	
	ft/in	32'3"	33'1"	33'1"	32'7"	33'4"	33'4"	34'3"	
<b>B</b> † Overall Height with Bucket at Maximum Lift	mm	6532	6532	6532	6599	6599	6599	7172	
	ft/in	21'6"	21'6"	21'6"	21'8"	21'8"	21'8"	23'7"	
Loader Clearance Circle Radius with Bucket at Carry Position	mm	7694	7817	7817	7721	7845	7845	8395	
	ft/in	25'3"	25'8"	25'8"	25'4"	25'9"	25'9"	27'7"	
Static Tipping Load, Straight (ISO)*	kg	21 361	21 177	21 611	21 136	20 950	21 367	18 903	
	lb	47,080	46,674	47,631	46,584	46,175	47,094	41,662	
Static Tipping Load, Straight (Rigid Tire)*	kg	22 728	22 542	22 996	22 511	22 324	22 757	20 315	
	lb	50,092	49,682	50,685	49,615	49,202	50,157	44,774	
Static Tipping Load, Articulated (ISO)*	kg	18 354	18 169	18 575	18 140	17 954	18 346	15 989	
	lb	40,452	40,046	40,941	39,981	39,572	40,436	35,240	
Static Tipping Load, Articulated (Rigid Tire)*	kg	19 576	19 390	19 815	19 372	19 185	19 591	17 262	
	lb	43,147	42,737	43,673	42,697	42,284	43,179	38,046	
Breakout Force (§)	kN	203	201	216	193	190	204	141	
	lbf	45,829	45,315	48,584	43,399	42,894	45,873	31,880	
Operating Weight*	kg	31 086	31 224	31 049	31 196	31 334	31 159	32 572	
	lb	68,513	68,817	68,431	68,755	69,060	68,673	71,789	

\* Static tipping loads and operating weights shown are based on a machine configuration with Bridgestone 29.5R25 VSNT L4 radial tires, full fluids, operator, standard counterweight, ride control, cold start, roading fenders, power train guard, secondary steering and sound suppression.

† Illustration shown with Dimension charts.

\*\*\* Rock bucket specifications are given on Bridgestone 29.5R25 VSNT L5 Radial tires.

(§) Measured 102 mm (4") behind tip of cutting edge with bucket hinge pin as pivot point in accordance with SAE J732C.

(§) Specifications and ratings conform to all applicable standards recommended by the Society of Automotive Engineers, including SAE Standard J732C governing loader ratings.

(ISO) Full compliance to ISO 14397-1:2007 Sections 1 thru 6, which requires 2% verification between calculations and testing.

(Rigid Tire) Compliance to ISO 14397-1:2007 Sections 1 thru 5.

Other buckets are available and offerings vary by region. Consult your local Cat dealer for further details.

# 980 Wheel Loader Specifications

## Operating Specifications – Buckets (continued)

Linkage		High Lift Linkage					
Bucket Type		General Purpose – Pin On					
Edge Type		Bolt-On Cutting Edges	Teeth and Segments	Tips	Bolt-On Cutting Edges	Teeth and Segments	Tips
Capacity – Rated	m <sup>3</sup>	5.40	5.40	5.00	5.70	5.70	5.30
	yd <sup>3</sup>	7.00	7.00	6.50	7.50	7.50	7.00
Capacity – Rated at 110% Fill Factor	m <sup>3</sup>	5.90	5.90	5.50	6.30	6.30	5.80
	yd <sup>3</sup>	7.75	7.75	7.25	8.25	8.25	7.50
Width	mm	3447	3535	3535	3447	3535	3535
	ft/in	11'3"	11'7"	11'7"	11'3"	11'7"	11'7"
<b>16</b> † Dump Clearance at Maximum Lift and 45° Discharge	mm	3508	3342	3342	3439	3272	3272
	ft/in	11'6"	10'11"	10'11"	11'3"	10'8"	10'8"
<b>17</b> † Reach at Maximum Lift and 45° Discharge	mm	1484	1621	1621	1532	1667	1667
	ft/in	4'10"	5'3"	5'3"	5'0"	5'5"	5'5"
Reach at Level Lift Arm and Bucket Level	mm	3126	3337	3337	3210	3421	3421
	ft/in	10'3"	10'11"	10'11"	10'6"	11'2"	11'2"
<b>A</b> † Digging Depth	mm	86	86	51	86	86	51
	in	3.4"	3.4"	2"	3.4"	3.4"	2"
<b>12</b> † Overall Length	mm	9875	10 114	10 114	9959	10 198	10 198
	ft/in	32'5"	33'3"	33'3"	32'9"	33'6"	33'6"
<b>B</b> † Overall Height with Bucket at Maximum Lift	mm	6656	6656	6656	6478	6478	6478
	ft/in	21'11"	21'11"	21'11"	21'4"	21'4"	21'4"
Loader Clearance Circle Radius with Bucket at Carry Position	mm	8114	8226	8226	8137	8250	8250
	ft/in	26'8"	27'0"	27'0"	26'9"	27'1"	27'1"
Static Tipping Load, Straight (ISO)*	kg	20 833	20 650	21 063	20 603	20 419	20 828
	lb	45,917	45,513	46,424	45,410	45,004	45,906
Static Tipping Load, Straight (Rigid Tire)*	kg	22 033	21 849	22 276	21 805	21 619	22 043
	lb	48,562	48,156	49,098	48,058	47,649	48,583
Static Tipping Load, Articulated (ISO)*	kg	18 354	18 171	18 563	18 137	17 953	18 342
	lb	40,453	40,049	40,914	39,975	39,569	40,426
Static Tipping Load, Articulated (Rigid Tire)*	kg	19 430	19 245	19 650	19 215	19 029	19 431
	lb	42,823	42,416	43,309	42,351	41,941	42,826
Breakout Force (§)	kN	230	228	245	217	215	231
	lbf	51,775	51,273	55,258	48,860	48,369	51,964
Operating Weight*	kg	30 477	30 616	30 440	30 560	30 699	30 523
	lb	67,171	67,476	67,089	67,354	67,659	67,272

\* Static tipping loads and operating weights shown are based on a machine configuration with Bridgestone 29.5R25 VSNT L4 radial tires, full fluids, operator, standard counterweight, ride control, cold start, roading fenders, power train guard, secondary steering and sound suppression.

† Illustration shown with Dimension charts.

\*\*\* Rock bucket specifications are given on Bridgestone 29.5R25 VSDT L5 Radial tires.

(§) Measured 102 mm (4") behind tip of cutting edge with bucket hinge pin as pivot point in accordance with SAE J732C.

(§) Specifications and ratings conform to all applicable standards recommended by the Society of Automotive Engineers, including SAE Standard J732C governing loader ratings.

(ISO) Full compliance to ISO 14397-1:2007 Sections 1 thru 6, which requires 2% verification between calculations and testing.

(Rigid Tire) Compliance to ISO 14397-1:2007 Sections 1 thru 5.

Other buckets are available and offerings vary by region. Consult your local Cat dealer for further details.



# 980 Wheel Loader Specifications

## Operating Specifications – Buckets *(continued)*

Linkage		High Lift Linkage					
Bucket Type		General Purpose – Pin On					
Edge Type		Bolt-On Cutting Edges	Teeth and Segments	Tips	Bolt-On Cutting Edges	Teeth and Segments	Tips
Capacity – Rated	m <sup>3</sup>	6.00	6.00	5.80	6.40	6.40	6.10
	yd <sup>3</sup>	7.75	7.75	7.50	8.25	8.25	8.00
Capacity – Rated at 110% Fill Factor	m <sup>3</sup>	6.60	6.60	6.40	7.00	7.00	6.70
	yd <sup>3</sup>	8.75	8.75	8.25	9.25	9.25	8.75
Width	mm	3447	3535	3535	3447	3535	3535
	ft/in	11'3"	11'7"	11'7"	11'3"	11'7"	11'7"
16† Dump Clearance at Maximum Lift and 45° Discharge	mm	3421	3254	3254	3366	3198	3198
	ft/in	11'2"	10'8"	10'8"	11'0"	10'5"	10'5"
17† Reach at Maximum Lift and 45° Discharge	mm	1554	1688	1688	1606	1740	1740
	ft/in	5'1"	5'6"	5'6"	5'3"	5'8"	5'8"
Reach at Level Lift Arm and Bucket Level	mm	3238	3449	3449	3315	3526	3526
	ft/in	10'7"	11'3"	11'3"	10'10"	11'6"	11'6"
A† Digging Depth	mm	86	86	51	86	86	51
	in	3.4"	3.4"	2"	3.4"	3.4"	2"
12† Overall Length	mm	9987	10 226	10 226	10 064	10 303	10 303
	ft/in	32'10"	33'7"	33'7"	33'1"	33'10"	33'10"
B† Overall Height with Bucket at Maximum Lift	mm	6504	6504	6504	6824	6824	6824
	ft/in	21'5"	21'5"	21'5"	22'5"	22'5"	22'5"
Loader Clearance Circle Radius with Bucket at Carry Position	mm	8144	8258	8258	8166	8279	8279
	ft/in	26'9"	27'2"	27'2"	26'10"	27'2"	27'2"
Static Tipping Load, Straight (ISO)*	kg	20 466	20 282	20 688	20 302	20 117	20 550
	lb	45,108	44,702	45,596	44,747	44,338	45,293
Static Tipping Load, Straight (Rigid Tire)*	kg	21 669	21 483	21 904	21 512	21 324	21 773
	lb	47,760	47,350	48,276	47,413	47,000	47,988
Static Tipping Load, Articulated (ISO)*	kg	18 004	17 820	18 205	17 850	17 664	18 074
	lb	39,682	39,275	40,125	39,342	38,932	39,835
Static Tipping Load, Articulated (Rigid Tire)*	kg	19 084	18 898	19 296	18 937	18 749	19 172
	lb	42,062	41,651	42,530	41,737	41,323	42,255
Breakout Force (§)	kN	213	211	226	202	200	214
	lbf	47,897	47,409	50,884	45,564	45,084	48,270
Operating Weight*	kg	30 656	30 795	30 619	30 718	30 857	30 681
	lb	67,566	67,871	67,484	67,703	68,007	67,621

\* Static tipping loads and operating weights shown are based on a machine configuration with Bridgestone 29.5R25 VSNT L4 radial tires, full fluids, operator, standard counterweight, ride control, cold start, roading fenders, power train guard, secondary steering and sound suppression.

† Illustration shown with Dimension charts.

\*\*\* Rock bucket specifications are given on Bridgestone 29.5R25 VSDT L5 Radial tires.

(§) Measured 102 mm (4") behind tip of cutting edge with bucket hinge pin as pivot point in accordance with SAE J732C.

(§) Specifications and ratings conform to all applicable standards recommended by the Society of Automotive Engineers, including SAE Standard J732C governing loader ratings.

(ISO) Full compliance to ISO 14397-1:2007 Sections 1 thru 6, which requires 2% verification between calculations and testing.

(Rigid Tire) Compliance to ISO 14397-1:2007 Sections 1 thru 5.

Other buckets are available and offerings vary by region. Consult your local Cat dealer for further details.



# 980 Wheel Loader Specifications

## Operating Specifications – Buckets (continued)

Linkage		High Lift Linkage		
Bucket Type		General Purpose – Pin On – Abrasion		
Edge Type		Bolt-On Cutting Edges	Teeth and Segments	Tips
Capacity – Rated	m <sup>3</sup>	6.00	6.00	5.70
	yd <sup>3</sup>	7.75	7.75	7.50
Capacity – Rated at 110% Fill Factor	m <sup>3</sup>	6.60	6.60	6.30
	yd <sup>3</sup>	8.75	8.75	8.25
Width	mm	3447	3546	3546
	ft/in	11'3"	11'7"	11'7"
16† Dump Clearance at Maximum Lift and 45° Discharge	mm	3422	3258	3258
	ft/in	11'2"	10'8"	10'8"
17† Reach at Maximum Lift and 45° Discharge	mm	1553	1688	1688
	ft/in	5'1"	5'6"	5'6"
Reach at Level Lift Arm and Bucket Level	mm	3237	3446	3446
	ft/in	10'7"	11'3"	11'3"
A† Digging Depth	mm	86	86	51
	in	3.4"	3.4"	2"
12† Overall Length	mm	9986	10 221	10 221
	ft/in	32'10"	33'7"	33'7"
B† Overall Height with Bucket at Maximum Lift	mm	6744	6744	6744
	ft/in	22'2"	22'2"	22'2"
Loader Clearance Circle Radius with Bucket at Carry Position	mm	8144	8261	8261
	ft/in	26'9"	27' 2"	27'2"
Static Tipping Load, Straight (ISO)*	kg	20 403	20 245	20 663
	lb	44,968	44,621	45,541
Static Tipping Load, Straight (Rigid Tire)*	kg	21 598	21 439	21 872
	lb	47,604	47,253	48,206
Static Tipping Load, Articulated (ISO)*	kg	17 949	17 791	18 187
	lb	39,560	39,212	40,086
Static Tipping Load, Articulated (Rigid Tire)*	kg	19 022	18 862	19 272
	lb	41,924	41,573	42,476
Breakout Force (§)	kN	213	211	226
	lbf	47,914	47,479	50,911
Operating Weight*	kg	30 655	30 773	30 593
	lb	67,563	67,822	67,427

\* Static tipping loads and operating weights shown are based on a machine configuration with Bridgestone 29.5R25 VSNT L4 radial tires, full fluids, operator, standard counterweight, ride control, cold start, roading fenders, power train guard, secondary steering and sound suppression.

† Illustration shown with Dimension charts.

\*\*\* Rock bucket specifications are given on Bridgestone 29.5R25 VSDT L5 Radial tires.

(§) Measured 102 mm (4") behind tip of cutting edge with bucket hinge pin as pivot point in accordance with SAE J732C.

(§) Specifications and ratings conform to all applicable standards recommended by the Society of Automotive Engineers, including SAE Standard J732C governing loader ratings.

(ISO) Full compliance to ISO 14397-1:2007 Sections 1 thru 6, which requires 2% verification between calculations and testing.

(Rigid Tire) Compliance to ISO 14397-1:2007 Sections 1 thru 5.

Other buckets are available and offerings vary by region. Consult your local Cat dealer for further details.

# 980 Wheel Loader Specifications

## Operating Specifications – Buckets *(continued)*

Linkage		High Lift Linkage									
Bucket Type		Pin On – Flat Floor			Pin On – Flat Floor HD BGE	Pin On – Flat Floor BGE	Pin On – Flat Floor				
		Bolt-On Cutting Edges	Teeth and Segments	Tips	Flush Mounted Tips	Flush Mounted Tips	Bolt-On Cutting Edges (Steel)	Bolt-On Cutting Edges (Rubber)	Bolt-On Cutting Edges (Steel)	Bolt-On Cutting Edges (Rubber)	
Edge Type											
Capacity – Rated	m <sup>3</sup>	5.70	5.70	5.50	5.60	5.70	9.94	9.94	10.70	10.70	
	yd <sup>3</sup>	7.50	7.50	7.25	7.25	7.50	13.00	13.00	14.00	14.00	
Capacity – Rated at 110% Fill Factor	m <sup>3</sup>	6.30	6.30	6.10	6.20	6.30	10.90	10.90	11.80	11.80	
	yd <sup>3</sup>	8.25	8.25	8.00	8.00	8.25	14.25	14.25	15.50	15.50	
Width	mm	3447	3535	3535	3580	3580	3882	3882	3882	3882	
	ft/in	11'3"	11'7"	11'7"	11'8"	11'8"	12'8"	12'8"	12'8"	12'8"	
16† Dump Clearance at Maximum Lift and 45° Discharge	mm	3340	3163	3163	3436	3196	3288	3209	3054	2976	
	ft/in	10'11"	10'4"	10'4"	11'3"	10'5"	10'9"	10'6"	10'0"	9'9"	
17† Reach at Maximum Lift and 45° Discharge	mm	1447	1569	1569	1392	1630	1463	1390	1696	1623	
	ft/in	4'8"	5'1"	5'1"	4'6"	5'4"	4'9"	4'6"	5'6"	5'3"	
Reach at Level Lift Arm and Bucket Level	mm	3235	3446	3446	3128	3466	3283	3287	3613	3617	
	ft/in	10'7"	11'3"	11'3"	10'3"	11'4"	10'9"	10'9"	11'10"	11'10"	
A† Digging Depth	mm	86	86	51	57	57	72	72	72	72	
	in	3.4"	3.4"	2"	2.2"	2.2"	2.8"	2.8"	2.8"	2.8"	
12† Overall Length	mm	9984	10 223	10 223	9855	10 194	10 051	10 129	10 381	10 459	
	ft/in	32'10"	33'7"	33'7"	32'4"	33'6"	33'0"	33'3"	34'1"	34'4"	
B† Overall Height with Bucket at Maximum Lift	mm	6477	6477	6477	6721	6714	7389	7389	7167	7167	
	ft/in	21'3"	21'3"	21'3"	22'1"	22'1"	24'3"	24'3"	23'7"	23'7"	
Loader Clearance Circle Radius with Bucket at Carry Position	mm	8143	8257	8257	8164	8259	8364	8404	8456	8494	
	ft/in	26'9"	27'2"	27'2"	26'10"	27'2"	27'6"	27'7"	27'9"	27'11"	
Static Tipping Load, Straight (ISO)*	kg	20 155	19 973	20 366	19 456	19 500	20 794	20 923	18 938	19 065	
	lb	44,423	44,022	44,888	42,882	42,979	45,831	46,114	41,741	42,020	
Static Tipping Load, Straight (Rigid Tire)*	kg	21 323	21 140	21 546	20 623	20 666	22 274	22 406	20 216	20 345	
	lb	46,996	46,592	47,487	45,453	45,549	49,093	49,384	44,556	44,840	
Static Tipping Load, Articulated (ISO)*	kg	17 730	17 548	17 922	17 011	17 055	18 173	18 302	16 501	16 627	
	lb	39,077	38,677	39,501	37,494	37,590	40,055	40,338	36,368	36,647	
Static Tipping Load, Articulated (Rigid Tire)*	kg	18 777	18 594	18 979	18 056	18 099	19 514	19 646	17 656	17 784	
	lb	41,386	40,982	41,831	39,796	39,891	43,009	43,301	38,914	39,198	
Breakout Force (§)	kN	213	211	227	225	226	216	215	175	174	
	lbf	48,005	47,516	51,005	50,767	50,810	48,670	48,327	39,438	39,194	
Operating Weight*	kg	30 685	30 824	30 648	31 496	31 445	31 611	31 529	31 839	31 756	
	lb	67,630	67,935	67,548	69,418	69,304	69,671	69,490	70,174	69,991	

\* Static tipping loads and operating weights shown are based on a machine configuration with Bridgestone 29.5R25 VSNT L4 radial tires, full fluids, operator, standard counterweight, ride control, cold start, roading fenders, power train guard, secondary steering and sound suppression.

† Illustration shown with Dimension charts.

\*\*\* Rock bucket specifications are given on Bridgestone 29.5R25 VSDT L5 Radial tires.

(§) Measured 102 mm (4") behind tip of cutting edge with bucket hinge pin as pivot point in accordance with SAE J732C.

(§) Specifications and ratings conform to all applicable standards recommended by the Society of Automotive Engineers, including SAE Standard J732C governing loader ratings.

(ISO) Full compliance to ISO 14397-1:2007 Sections 1 thru 6, which requires 2% verification between calculations and testing.

(Rigid Tire) Compliance to ISO 14397-1:2007 Sections 1 thru 5.

Other buckets are available and offerings vary by region. Consult your local Cat dealer for further details.

# 980 Wheel Loader Specifications

## Operating Specifications – Buckets (continued)

Linkage		High Lift Linkage					
Bucket Type		Pin On – Coal	Pin On – Woodchip	Pin On – Waste		Pin On – Waste, Dozing	Pin On – Rock HD***
		Bolt-On Cutting Edges	Bolt-On Cutting Edges	Bolt-On Cutting Edges	Rubber Edge	Bolt-On Cutting Edges	Bolt-On Cutting Edges
Edge Type							
Capacity – Rated	m <sup>3</sup>	8.20	14.50	10.70	10.70	9.90	4.00
	yd <sup>3</sup>	10.75	19.00	14.00	14.00	13.00	5.25
Capacity – Rated at 110% Fill Factor	m <sup>3</sup>	9.00	16.00	11.80	11.80	10.90	4.40
	yd <sup>3</sup>	11.75	21.00	15.50	15.50	14.25	5.75
Width	mm	3638	4434	3882	3882	3882	3405
	ft/in	11'11"	14'6"	12'8"	12'8"	12'8"	11'2"
<b>16</b> † Dump Clearance at Maximum Lift and 45° Discharge	mm	3152	2960	3054	2976	3288	3710
	ft/in	10'4"	9'8"	10'0"	9'9"	10'9"	12'2"
<b>17</b> † Reach at Maximum Lift and 45° Discharge	mm	1628	1805	1696	1623	1463	1224
	ft/in	5'4"	5'11"	5'6"	5'3"	4'9"	4'0"
Reach at Level Lift Arm and Bucket Level	mm	3496	3757	3613	3617	3283	2798
	ft/in	11'5"	12'3"	11'10"	11'10"	10'9"	9'2"
<b>A</b> † Digging Depth	mm	91	102	72	72	112	107
	in	3.6"	4"	2.8"	2.8"	4.4"	4.2"
<b>12</b> † Overall Length	mm	10 248	10 517	10 381	10 459	10 051	9562
	ft/in	33'8"	34'7"	34'1"	34'4"	33'0"	31'5"
<b>B</b> † Overall Height with Bucket at Maximum Lift	mm	6771	7267	7179	7179	7351	6156
	ft/in	22'3"	23'11"	23'7"	23'7"	24'2"	20'3"
Loader Clearance Circle Radius with Bucket at Carry Position	mm	8305	8742	8456	8494	8364	8018
	ft/in	27'3"	28'9"	27'9"	27'11"	27'6"	26'4"
Static Tipping Load, Straight (ISO)*	kg	19 848	18 950	18 824	18 954	20 772	21 333
	lb	43,745	41,766	41,488	41,774	45,782	47,019
Static Tipping Load, Straight (Rigid Tire)*	kg	21 095	20 313	20 100	20 232	22 234	22 514
	lb	46,494	44,770	44,301	44,593	49,005	49,622
Static Tipping Load, Articulated (ISO)*	kg	17 397	16 443	16 386	16 516	18 159	18 799
	lb	38,343	36,242	36,116	36,402	40,022	41,433
Static Tipping Load, Articulated (Rigid Tire)*	kg	18 521	17 677	17 540	17 672	19 481	19 852
	lb	40,820	38,961	38,658	38,950	42,936	43,755
Breakout Force (§)	kN	180	153	175	173	207	295
	lbf	40,529	34,486	39,320	39,080	46,707	66,366
Operating Weight*	kg	31 064	32 325	31 950	31 866	31 715	31 130
	lb	68,465	71,245	70,418	70,233	69,899	68,610

\* Static tipping loads and operating weights shown are based on a machine configuration with Bridgestone 29.5R25 VSNT L4 radial tires, full fluids, operator, standard counterweight, ride control, cold start, roading fenders, power train guard, secondary steering and sound suppression.

† Illustration shown with Dimension charts.

\*\*\* Rock bucket specifications are given on Bridgestone 29.5R25 VSDT L5 Radial tires.

(§) Measured 102 mm (4") behind tip of cutting edge with bucket hinge pin as pivot point in accordance with SAE J732C.

(§) Specifications and ratings conform to all applicable standards recommended by the Society of Automotive Engineers, including SAE Standard J732C governing loader ratings.

(ISO) Full compliance to ISO 14397-1:2007 Sections 1 thru 6, which requires 2% verification between calculations and testing.

(Rigid Tire) Compliance to ISO14397-1:2007 Sections 1 thru 5.

Other buckets are available and offerings vary by region. Consult your local Cat dealer for further details.

# 980 Wheel Loader Specifications

## Operating Specifications – Buckets (continued)

Linkage			High Lift Linkage				
Bucket Type			Pin On – Rock, Spade***			Pin On – Rock, Spade HD***	
Edge Type		Tips	Teeth and Segments	Tips	Teeth and Segments	Tips	Teeth and Segments
Capacity – Rated	m <sup>3</sup>	4.20	4.40	4.50	4.70	4.20	4.30
	yd <sup>3</sup>	5.50	5.75	6.00	6.25	5.50	5.50
Capacity – Rated at 110% Fill Factor	m <sup>3</sup>	4.60	4.80	5.00	5.20	4.60	4.70
	yd <sup>3</sup>	6.00	6.25	6.50	6.75	6.00	6.25
Width	mm	3524	3524	3524	3524	3546	3546
	ft/in	11'6"	11'6"	11'6"	11'6"	11'7"	11'7"
16† Dump Clearance at Maximum Lift and 45° Discharge	mm	3353	3353	3354	3354	3443	3443
	ft/in	11'0"	11'0"	11'0"	11'0"	11'3"	11'3"
17† Reach at Maximum Lift and 45° Discharge	mm	1770	1770	1770	1770	1727	1727
	ft/in	5'9"	5'9"	5'9"	5'9"	5'8"	5'8"
Reach at Level Lift Arm and Bucket Level	mm	3439	3439	3438	3438	3344	3344
	ft/in	11'3"	11'3"	11'3"	11'3"	10'11"	10'11"
A† Digging Depth	mm	46	81	46	81	38	73
	in	1.8"	3.2"	1.8"	3.2"	1.5"	2.8"
12† Overall Length	mm	10 194	10 194	10 192	10 192	10 095	10 095
	ft/in	33'6"	33'6"	33'6"	33'6"	33'2"	33'2"
B† Overall Height with Bucket at Maximum Lift	mm	6422	6422	6414	6414	6636	6636
	ft/in	21'1"	21'1"	21'1"	21'1"	21'10"	21'10"
Loader Clearance Circle Radius with Bucket at Carry Position	mm	8240	8240	8240	8240	8222	8222
	ft/in	27'1"	27'1"	27'1"	27'1"	27'0"	27'0"
Static Tipping Load, Straight (ISO)*	kg	21 867	21 403	21 507	21 030	21 589	21 153
	lb	48,196	47,172	47,402	46,351	47,582	46,621
Static Tipping Load, Straight (Rigid Tire)*	kg	23 094	22 626	22 736	22 254	22 872	22 427
	lb	50,899	49,867	50,110	49,049	50,410	49,429
Static Tipping Load, Articulated (ISO)*	kg	19 302	18 844	18 953	18 485	18 984	18 552
	lb	42,542	41,533	41,774	40,741	41,840	40,890
Static Tipping Load, Articulated (Rigid Tire)*	kg	20 399	19 938	20 053	19 581	20 133	19 693
	lb	44,959	43,944	44,198	43,158	44,374	43,404
Breakout Force (§)	kN	233	216	232	215	252	232
	lbf	52,526	48,615	52,323	48,423	56,658	52,202
Operating Weight*	kg	30 862	31 164	31 158	31 460	31 399	31 701
	lb	68,020	68,685	68,673	69,337	69,203	69,868

\* Static tipping loads and operating weights shown are based on a machine configuration with Bridgestone 29.5R25 VSNT L4 radial tires, full fluids, operator, standard counterweight, ride control, cold start, roading fenders, power train guard, secondary steering and sound suppression.

† Illustration shown with Dimension charts.

\*\*\* Rock bucket specifications are given on Bridgestone 29.5R25 VSDT L5 Radial tires.

(§) Measured 102 mm (4") behind tip of cutting edge with bucket hinge pin as pivot point in accordance with SAE J732C.

(§) Specifications and ratings conform to all applicable standards recommended by the Society of Automotive Engineers, including SAE Standard J732C governing loader ratings.

(ISO) Full compliance to ISO 14397-1:2007 Sections 1 thru 6, which requires 2% verification between calculations and testing.

(Rigid Tire) Compliance to ISO 14397-1:2007 Sections 1 thru 5.

Other buckets are available and offerings vary by region. Consult your local Cat dealer for further details.

# 980 Wheel Loader Specifications

## Operating Specifications – Buckets *(continued)*

Linkage		Aggregate Handler Linkage					
Bucket Type		General Purpose – Pin On					
Edge Type		Bolt-On Cutting Edges	Teeth and Segments	Tips	Bolt-On Cutting Edges	Teeth and Segments	Tips
Capacity – Rated	m <sup>3</sup>	5.40	5.40	5.00	5.70	5.70	5.30
	yd <sup>3</sup>	7.00	7.00	6.50	7.50	7.50	7.00
Capacity – Rated at 110% Fill Factor	m <sup>3</sup>	5.90	5.90	5.50	6.30	6.30	5.80
	yd <sup>3</sup>	7.75	7.75	7.25	8.25	8.25	7.50
Width	mm	3447	3535	3535	3447	3535	3535
	ft/in	11'3"	11'7"	11'7"	11'3"	11'7"	11'7"
<b>16†</b> Dump Clearance at Maximum Lift and 45° Discharge	mm	3287	3121	3121	3219	3051	3051
	ft/in	10'9"	10'2"	10'2"	10'6"	10'0"	10'0"
<b>17†</b> Reach at Maximum Lift and 45° Discharge	mm	1481	1618	1618	1529	1664	1664
	ft/in	4'10"	5'3"	5'3"	5'0"	5'5"	5'5"
Reach at Level Lift Arm and Bucket Level	mm	2966	3177	3177	3050	3261	3261
	ft/in	9'8"	10'5"	10'5"	10'0"	10'8"	10'8"
<b>A†</b> Digging Depth	mm	88	88	53	88	88	53
	in	3.4"	3.4"	2.1"	3.4"	3.4"	2.1"
<b>12†</b> Overall Length	mm	9677	9919	9919	9761	10 003	10 003
	ft/in	31'9"	32'7"	32'7"	32'1"	32'10"	32'10"
<b>B†</b> Overall Height with Bucket at Maximum Lift	mm	6435	6435	6435	6258	6258	6258
	ft/in	21'2"	21'2"	21'2"	20'7"	20'7"	20'7"
Loader Clearance Circle Radius with Bucket at Carry Position	mm	7612	7725	7725	7635	7749	7749
	ft/in	25'0"	25'5"	25'5"	25'1"	25'6"	25'6"
Static Tipping Load, Straight (ISO)*	kg	24 404	24 218	24 676	24 149	23 963	24 416
	lb	53,786	53,377	54,386	53,226	52,814	53,812
Static Tipping Load, Straight (Rigid Tire)*	kg	25 939	25 752	26 229	25 687	25 498	25 971
	lb	57,171	56,758	57,809	56,615	56,199	57,240
Static Tipping Load, Articulated (ISO)*	kg	21 012	20 826	21 254	20 776	20 589	21 013
	lb	46,312	45,902	46,845	45,792	45,380	46,313
Static Tipping Load, Articulated (Rigid Tire)*	kg	22 406	22 218	22 663	22 173	21 984	22 425
	lb	49,383	48,969	49,949	48,870	48,454	49,425
Breakout Force (§)	kN	227	224	242	214	211	227
	lbf	51,008	50,477	54,405	48,132	47,613	51,158
Operating Weight*	kg	30 985	31 123	30 948	31 068	31 206	31 031
	lb	68,290	68,595	68,208	68,473	68,778	68,391

\* Static tipping loads and operating weights shown are based on a machine configuration with Bridgestone 29.5R25 VSNT L4 radial tires, full fluids, operator, aggregate counterweight, ride control, cold start, roading fenders, power train guard, secondary steering and sound suppression.

\*\* Aggregate Handler configuration is not compatible with rock buckets, and high lift.

† Illustration shown with Dimension charts.

(§) Measured 102 mm (4") behind tip of cutting edge with bucket hinge pin as pivot point in accordance with SAE J732C.

(§) Specifications and ratings conform to all applicable standards recommended by the Society of Automotive Engineers, including SAE Standard J732C governing loader ratings.

(ISO) Full compliance to ISO 14397-1:2007 Sections 1 thru 6, which requires 2% verification between calculations and testing.

(Rigid Tire) Compliance to ISO 14397-1:2007 Sections 1 thru 5.

Other buckets are available and offerings vary by region. Consult your local Cat dealer for further details.

# 980 Wheel Loader Specifications

## Operating Specifications – Buckets (continued)

Linkage		Aggregate Handler Linkage					
Bucket Type		General Purpose – Pin On					
Edge Type		Bolt-On Cutting Edges	Teeth and Segments	Tips	Bolt-On Cutting Edges	Teeth and Segments	Tips
Capacity – Rated	m <sup>3</sup>	6.00	6.00	5.80	6.40	6.40	6.10
	yd <sup>3</sup>	7.75	7.75	7.50	8.25	8.25	8.00
Capacity – Rated at 110% Fill Factor	m <sup>3</sup>	6.60	6.60	6.40	7.00	7.00	6.70
	yd <sup>3</sup>	8.75	8.75	8.25	9.25	9.25	8.75
Width	mm	3447	3535	3535	3447	3535	3535
	ft/in	11'3"	11'7"	11'7"	11'3"	11'7"	11'7"
16† Dump Clearance at Maximum Lift and 45° Discharge	mm	3201	3034	3034	3145	2977	2977
	ft/in	10'6"	9'11"	9'11"	10'3"	9'9"	9'9"
17† Reach at Maximum Lift and 45° Discharge	mm	1551	1686	1686	1603	1737	1737
	ft/in	5'1"	5'6"	5'6"	5'3"	5'8"	5'8"
Reach at Level Lift Arm and Bucket Level	mm	3078	3289	3289	3155	3366	3366
	ft/in	10'1"	10'9"	10'9"	10'4"	11'0"	11'0"
A† Digging Depth	mm	88	88	53	88	88	53
	in	3.4"	3.4"	2.1"	3.4"	3.4"	2.1"
12† Overall Length	mm	9789	10 031	10 031	9866	10 108	10 108
	ft/in	32'2"	32'11"	32'11"	32'5"	33'2"	33'2"
B† Overall Height with Bucket at Maximum Lift	mm	6284	6284	6284	6604	6604	6604
	ft/in	20'8"	20'8"	20'8"	21'8"	21'8"	21'8"
Loader Clearance Circle Radius with Bucket at Carry Position	mm	7643	7757	7757	7664	7779	7779
	ft/in	25'1"	25'6"	25'6"	25'2"	25'7"	25'7"
Static Tipping Load, Straight (ISO)*	kg	24 006	23 819	24 268	23 828	23 639	24 121
	lb	52,910	52,498	53,487	52,517	52,102	53,163
Static Tipping Load, Straight (Rigid Tire)*	kg	25 547	25 357	25 826	25 377	25 186	25 688
	lb	56,305	55,888	56,920	55,932	55,512	56,618
Static Tipping Load, Articulated (ISO)*	kg	20 638	20 451	20 871	20 472	20 283	20 732
	lb	45,488	45,074	46,000	45,121	44,705	45,693
Static Tipping Load, Articulated (Rigid Tire)*	kg	22 038	21 849	22 286	21 882	21 691	22 157
	lb	48,572	48,155	49,118	48,228	47,807	48,834
Breakout Force (§)	kN	210	207	222	199	197	211
	lbf	47,182	46,666	50,092	44,880	44,374	47,515
Operating Weight*	kg	31 164	31 302	31 127	31 226	31 364	31 189
	lb	68,685	68,990	68,603	68,822	69,126	68,740

\* Static tipping loads and operating weights shown are based on a machine configuration with Bridgestone 29.5R25 VSNT L4 radial tires, full fluids, operator, aggregate counterweight, ride control, cold start, roading fenders, power train guard, secondary steering and sound suppression.

\*\* Aggregate Handler configuration is not compatible with rock buckets, and high lift.

† Illustration shown with Dimension charts.

(§) Measured 102 mm (4") behind tip of cutting edge with bucket hinge pin as pivot point in accordance with SAE J732C.

(§) Specifications and ratings conform to all applicable standards recommended by the Society of Automotive Engineers, including SAE Standard J732C governing loader ratings.

(ISO) Full compliance to ISO 14397-1:2007 Sections 1 thru 6, which requires 2% verification between calculations and testing.

(Rigid Tire) Compliance to ISO 14397-1:2007 Sections 1 thru 5.

Other buckets are available and offerings vary by region. Consult your local Cat dealer for further details.

# 980 Wheel Loader Specifications

## Operating Specifications – Buckets *(continued)*

Linkage		Aggregate Handler Linkage								
		Pin On – Flat Floor			Pin On – Flat Floor HD BGE	Pin On – Flat Floor BGE	Pin On – Flat Floor			
Bucket Type		Bolt-On Cutting Edges	Teeth and Segments	Tips	Flush Mounted Tips	Flush Mounted Tips	Bolt-On Cutting Edges (Steel)	Bolt-On Cutting Edges (Rubber)	Bolt-On Cutting Edges (Steel)	Bolt-On Cutting Edges (Rubber)
Edge Type										
Capacity – Rated	m <sup>3</sup>	5.70	5.70	5.50	5.60	5.70	9.90	9.90	10.70	10.70
	yd <sup>3</sup>	7.50	7.50	7.25	7.25	7.50	13.00	13.00	14.00	14.00
Capacity – Rated at 110% Fill Factor	m <sup>3</sup>	6.30	6.30	6.10	6.20	6.30	10.90	10.90	11.80	11.80
	yd <sup>3</sup>	8.25	8.25	8.00	8.00	8.25	14.25	14.25	15.50	15.50
Width	mm	3447	3535	3535	3580	3580	3882	3882	3882	3882
	ft/in	11'3"	11'7"	11'7"	11'8"	11'8"	12'8"	12'8"	12'8"	12'8"
16† Dump Clearance at Maximum Lift and 45° Discharge	mm	3120	2943	2943	3216	2976	3067	2989	2834	2755
	ft/in	10'2"	9'7"	9'7"	10'6"	9'9"	10'0"	9'9"	9'3"	9'0"
17† Reach at Maximum Lift and 45° Discharge	mm	1444	1566	1566	1389	1627	1460	1387	1693	1620
	ft/in	4'8"	5'1"	5'1"	4'6"	5'4"	4'9"	4'6"	5'6"	5'3"
Reach at Level Lift Arm and Bucket Level	mm	3075	3286	3286	2968	3306	3123	3127	3453	3457
	ft/in	10'1"	10'9"	10'9"	9'8"	10'10"	10'2"	10'3"	11'3"	11'4"
A† Digging Depth	mm	88	88	53	59	59	74	74	74	74
	in	3.4"	3.4"	2.1"	2.3"	2.3"	2.9"	2.9"	2.9"	2.9"
12† Overall Length	mm	9786	10 028	10 028	9656	9995	9854	9939	10 184	10 269
	ft/in	32'2"	32'11"	32'11"	31'9"	32'10"	32'4"	32'8"	33'5"	33'9"
B† Overall Height with Bucket at Maximum Lift	mm	6257	6257	6257	6500	6493	7169	7169	6946	6946
	ft/in	20'7"	20'7"	20'7"	21'4"	21'4"	23'7"	23'7"	22'10"	22'10"
Loader Clearance Circle Radius with Bucket at Carry Position	mm	7642	7756	7756	7662	7757	7863	7904	7956	7995
	ft/in	25'1"	25'6"	25'6"	25'2"	25'6"	25'10"	26'0"	26'2"	26'3"
Static Tipping Load, Straight (ISO)*	kg	23 621	23 437	23 870	22 951	22 995	24 706	24 839	22 458	22 587
	lb	52,061	51,655	52,609	50,585	50,681	54,453	54,745	49,498	49,782
Static Tipping Load, Straight (Rigid Tire)*	kg	25 111	24 925	25 376	24 443	24 486	26 646	26 783	24 108	24 240
	lb	55,346	54,936	55,928	53,874	53,968	58,729	59,030	53,134	53,425
Static Tipping Load, Articulated (ISO)*	kg	20 307	20 122	20 528	19 609	19 653	21 095	21 227	19 116	19 245
	lb	44,757	44,350	45,244	43,219	43,315	46,493	46,785	42,132	42,417
Static Tipping Load, Articulated (Rigid Tire)*	kg	21 661	21 475	21 896	20 962	21 005	22 869	23 006	20 625	20 758
	lb	47,741	47,330	48,259	46,202	46,296	50,405	50,705	45,459	45,750
Breakout Force(§)	kN	210	208	223	222	222	213	211	172	171
	lbf	47,288	46,772	50,212	50,021	50,063	47,906	47,479	38,805	38,491
Operating Weight*	kg	31 193	31 331	31 156	32 004	31 953	32 119	32 037	32 347	32 264
	lb	68,749	69,054	68,667	70,537	70,423	70,790	70,609	71,293	71,110

\* Static tipping loads and operating weights shown are based on a machine configuration with Bridgestone 29.5R25 VSNT L4 radial tires, full fluids, operator, aggregate counterweight, ride control, cold start, roading fenders, power train guard, secondary steering and sound suppression.

\*\* Aggregate Handler configuration is not compatible with rock buckets, and high lift.

† Illustration shown with Dimension charts.

(§) Measured 102 mm (4") behind tip of cutting edge with bucket hinge pin as pivot point in accordance with SAE J732C.

(§) Specifications and ratings conform to all applicable standards recommended by the Society of Automotive Engineers, including SAE Standard J732C governing loader ratings.

(ISO) Full compliance to ISO 14397-1:2007 Sections 1 thru 6, which requires 2% verification between calculations and testing.

(Rigid Tire) Compliance to ISO 14397-1:2007 Sections 1 thru 5.

Other buckets are available and offerings vary by region. Consult your local Cat dealer for further details.



# 980 Wheel Loader Specifications

## Operating Specifications – Buckets (continued)

Linkage		Aggregate Handler Linkage				
Bucket Type		Pin On – Coal	Pin On – Woodchip	Pin On – Waste		Pin On – Waste, Dozing
Edge Type		Bolt-On Cutting Edges	Bolt-On Cutting Edges	Bolt-On Cutting Edges	Rubber Edges	Bolt-On Cutting Edges
Capacity – Rated	m <sup>3</sup>	8.20	14.50	10.70	10.70	9.90
	yd <sup>3</sup>	10.75	19.00	14.00	14.00	13.00
Capacity – Rated at 110% Fill Factor	m <sup>3</sup>	9.00	16.00	11.80	11.80	10.90
	yd <sup>3</sup>	11.75	21.00	15.50	15.50	14.25
Width	mm	3638	4434	3882	3882	3882
	ft/in	11'11"	14'6"	12'8"	12'8"	12'8"
<b>16</b> † Dump Clearance at Maximum Lift and 45° Discharge	mm	2931	2739	2834	2755	3067
	ft/in	9'7"	8'11"	9'3"	9'0"	10'0"
<b>17</b> † Reach at Maximum Lift and 45° Discharge	mm	1625	1802	1693	1620	1460
	ft/in	5'4"	5'10"	5'6"	5'3"	4'9"
Reach at Level Lift Arm and Bucket Level	mm	3336	3597	3453	3457	3123
	ft/in	10'11"	11'9"	11'3"	11'4"	10'2"
<b>A</b> † Digging Depth	mm	93	104	74	74	114
	in	3.6"	4.1"	2.9"	2.9"	4.5"
<b>12</b> † Overall Length	mm	10 051	10 321	10 184	10 269	9854
	ft/in	33'0"	33'11"	33'5"	33'9"	32'4"
<b>B</b> † Overall Height with Bucket at Maximum Lift	mm	6551	7047	6958	6958	7130
	ft/in	21'6"	23'2"	22'10"	22'10"	23'5"
Loader Clearance Circle Radius with Bucket at Carry Position	mm	7805	8243	7956	7995	7863
	ft/in	25'8"	27'1"	26'2"	26'3"	25'10"
Static Tipping Load, Straight (ISO)*	kg	23 380	22 613	22 342	22 475	24 672
	lb	51,530	49,840	49,243	49,536	54,378
Static Tipping Load, Straight (Rigid Tire)*	kg	24 984	24 390	23 991	24 127	26 590
	lb	55,065	53,756	52,876	53,176	58,604
Static Tipping Load, Articulated (ISO)*	kg	20 023	19 168	19 000	19 133	21 072
	lb	44,131	42,248	41,878	42,171	46,443
Static Tipping Load, Articulated (Rigid Tire)*	kg	21 486	20 794	20 509	20 645	22 823
	lb	47,356	45,831	45,202	45,502	50,302
Breakout Force (§)	kN	177	151	172	170	204
	lbf	39,906	33,932	38,687	38,377	45,993
Operating Weight*	kg	31 572	32 833	32 458	32 374	32 223
	lb	69,584	72,364	71,537	71,352	71,018

\* Static tipping loads and operating weights shown are based on a machine configuration with Bridgestone 29.5R25 VSNT L4 radial tires, full fluids, operator, aggregate counterweight, ride control, cold start, roading fenders, power train guard, secondary steering and sound suppression.

\*\* Aggregate Handler configuration is not compatible with rock buckets, and high lift.

† Illustration shown with Dimension charts.

(§) Measured 102 mm (4") behind tip of cutting edge with bucket hinge pin as pivot point in accordance with SAE J732C.

(§) Specifications and ratings conform to all applicable standards recommended by the Society of Automotive Engineers, including SAE Standard J732C governing loader ratings.

(ISO) Full compliance to ISO 14397-1:2007 Sections 1 thru 6, which requires 2% verification between calculations and testing.

(Rigid Tire) Compliance to ISO 14397-1:2007 Sections 1 thru 5.

Other buckets are available and offerings vary by region. Consult your local Cat dealer for further details.



# 980 Wheel Loader Specifications

## Operating Specifications – Buckets (continued)

Linkage		Aggregate Handler Linkage					
Bucket Type		Hook On – Fusion – General Purpose					
Edge Type		Bolt-On Cutting Edges	Teeth and Segments	Tips	Bolt-On Cutting Edges	Teeth and Segments	Tips
Capacity – Rated	m <sup>3</sup>	5.40	5.40	5.00	5.70	5.70	5.30
	yd <sup>3</sup>	7.00	7.00	6.50	7.50	7.50	7.00
Capacity – Rated at 110% Fill Factor	m <sup>3</sup>	5.90	5.90	5.50	6.30	6.30	5.80
	yd <sup>3</sup>	7.75	7.75	7.25	8.25	8.25	7.50
Width	mm	3447	3535	3535	3447	3535	3535
	ft/in	11'3"	11'7"	11'7"	11'3"	11'7"	11'7"
16† Dump Clearance at Maximum Lift and 45° Discharge	mm	3183	3017	3017	3117	2950	2950
	ft/in	10'5"	9'10"	9'10"	10'2"	9'8"	9'8"
17† Reach at Maximum Lift and 45° Discharge	mm	1588	1724	1724	1640	1775	1775
	ft/in	5'2"	5'7"	5'7"	5'4"	5'9"	5'9"
Reach at Level Lift Arm and Bucket Level	mm	3116	3327	3327	3200	3411	3411
	ft/in	10'2"	10'11"	10'11"	10'6"	11'2"	11'2"
A† Digging Depth	mm	93	93	58	93	93	58
	in	3.6"	3.6"	2.3"	3.6"	3.6"	2.3"
12† Overall Length	mm	9831	10 072	10 072	9915	10 156	10 156
	ft/in	32'4"	33'1"	33'1"	32'7"	33'4"	33'4"
B† Overall Height with Bucket at Maximum Lift	mm	6532	6532	6532	6599	6599	6599
	ft/in	21'6"	21'6"	21'6"	21'8"	21'8"	21'8"
Loader Clearance Circle Radius with Bucket at Carry Position	mm	7694	7817	7817	7721	7845	7845
	ft/in	25'3"	25'8"	25'8"	25'4"	25'9"	25'9"
Static Tipping Load, Straight (ISO)*	kg	22 905	22 721	23169	22 672	22 487	22 917
	lb	50,483	50,078	51,065	49,970	49,561	50,509
Static Tipping Load, Straight (Rigid Tire)*	kg	24 393	24 207	24 678	24 170	23 983	24 431
	lb	53,763	53,353	54,391	53,271	52,858	53,845
Static Tipping Load, Articulated (ISO)*	kg	19 618	19 434	19 851	19 398	19 212	19 615
	lb	43,239	42,833	43,753	42,753	42,344	43,232
Static Tipping Load, Articulated (Rigid Tire)*	kg	20 971	20 785	21 223	20 762	20 574	20 993
	lb	46,221	45,812	46,777	45,759	45,346	46,268
Breakout Force (§)	kN	203	201	216	193	190	204
	lbf	45,829	45,315	48,584	43,399	42,894	45,873
Operating Weight*	kg	31 727	31 865	31 690	31 837	31 975	31 800
	lb	69,926	70,231	69,844	70,168	70,473	70,086

\* Static tipping loads and operating weights shown are based on a machine configuration with Bridgestone 29.5R25 VSNT L4 radial tires, full fluids, operator, aggregate counterweight, ride control, cold start, roading fenders, power train guard, secondary steering and sound suppression.

\*\* Aggregate Handler configuration is not compatible with rock buckets, and high lift.

† Illustration shown with Dimension charts.

(§) Measured 102 mm (4") behind tip of cutting edge with bucket hinge pin as pivot point in accordance with SAE J732C.

(§) Specifications and ratings conform to all applicable standards recommended by the Society of Automotive Engineers, including SAE Standard J732C governing loader ratings.

(ISO) Full compliance to ISO 14397-1:2007 Sections 1 thru 6, which requires 2% verification between calculations and testing.

(Rigid Tire) Compliance to ISO 14397-1:2007 Sections 1 thru 5.

Other buckets are available and offerings vary by region. Consult your local Cat dealer for further details.

# 980 Wheel Loader Specifications

## Operating Specifications – Buckets *(continued)*

Linkage		Aggregate Handler Linkage
Bucket Type		Hook On – Fusion – Woodchip
Edge Type		Bolt-On Cutting Edges
Capacity – Rated	m <sup>3</sup>	14.50
	yd <sup>3</sup>	19.00
Capacity – Rated at 110% Fill Factor	m <sup>3</sup>	16.00
	yd <sup>3</sup>	21.00
Width	mm	4433
	ft/in	14'6"
16† Dump Clearance at Maximum Lift and 45° Discharge	mm	2668
	ft/in	8'9"
17† Reach at Maximum Lift and 45° Discharge	mm	1915
	ft/in	6'3"
Reach at Level Lift Arm and Bucket Level	mm	3727
	ft/in	12'2"
A† Digging Depth	mm	75
	in	2.9"
12† Overall Length	mm	10 427
	ft/in	34'3"
B† Overall Height with Bucket at Maximum Lift	mm	7172
	ft/in	23'7"
Loader Clearance Circle Radius with Bucket at Carry Position	mm	8395
	ft/in	27'7"
Static Tipping Load, Straight (ISO)*	kg	20 387
	lb	44,935
Static Tipping Load, Straight (Rigid Tire)*	kg	21 928
	lb	48,331
Static Tipping Load, Articulated (ISO)*	kg	17 202
	lb	37,913
Static Tipping Load, Articulated (Rigid Tire)*	kg	18 613
	lb	41,024
Breakout Force (§)	kN	141
	lbf	31,880
Operating Weight*	kg	33 214
	lb	73,202

\* Static tipping loads and operating weights shown are based on a machine configuration with Bridgestone 29.5R25 VSNT L4 radial tires, full fluids, operator, aggregate counterweight, ride control, cold start, roading fenders, power train guard, secondary steering and sound suppression.

\*\* Aggregate Handler configuration is not compatible with rock buckets, and high lift.

† Illustration shown with Dimension charts.

(§) Measured 102 mm (4") behind tip of cutting edge with bucket hinge pin as pivot point in accordance with SAE J732C.

(§) Specifications and ratings conform to all applicable standards recommended by the Society of Automotive Engineers, including SAE Standard J732C governing loader ratings.

(ISO) Full compliance to ISO 14397-1:2007 Sections 1 thru 6, which requires 2% verification between calculations and testing.

(Rigid Tire) Compliance to ISO 14397-1:2007 Sections 1 thru 5.

Other buckets are available and offerings vary by region. Consult your local Cat dealer for further details.

# 980 Wheel Loader Specifications

## Fork Specifications

### Fork Specifications

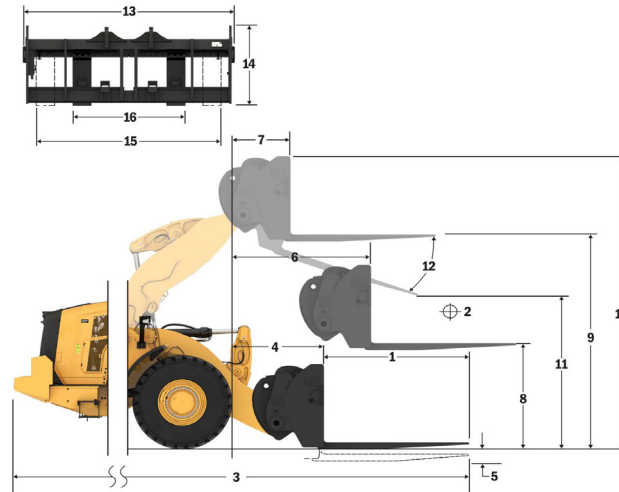
1	Tine Length	mm	1524
		in	60.0
2	Load Center	mm	762
		in	30.0
	Static Tipping Load - Straight (Forks Level)	kg	16284
		lbs	35891
	Static Tipping Load - Articulated (Forks Level)	kg	14214
		lbs	31329
	Rated Load (SAE J1197 - 50% FTSTL)	kg	7107
		lbs	15664
	Rated Load (CEN EN 474-3 Rough Terrain - 60% FTSTL)	kg	8529
		lbs	18797
	Rated Load (CEN EN 474-3 Firm and Level Ground - 80% FTSTL)	kg	9398
		lbs	20714
3	Maximum Overall Length	mm	10136
		in	399.0
4	Reach with Forks at Ground Level	mm	1199
		in	47.2
5	*Ground to Bottom of Tine at Minimum Height and Fork Level	mm	-151
		in	-5.9
6	Reach with Arms Horizontal and Forks Level	mm	1809
		in	71.2
7	Reach with Fork at Maximum Height	mm	883
		in	34.7
8	Ground to Top of Tine with Arms Horizontal and Fork Level	mm	2024
		in	79.7
9	Ground to Top of Tine at Maximum Height and Fork Level	mm	4292
		in	169.0
10	Overall Height of Fork at Full Lift (top of carriage to ground)	mm	5067
		in	199.5
11	Clearance at Full Lift and Max Dump	mm	2893
		in	113.9
12	Max Discharge Angle from Horizontal	deg	45
13	Overall Carriage Width	mm	2217
		in	87.3
14	Overall Carriage Height	mm	840
		in	33.1
15	Outside Tine Width (max spread)	mm	2070
		in	81.5
16	Outside Tine Width (min spread)	mm	470
		in	18.5
	Tine Width (single tine)	mm	150.0
		in	5.9
	Tine Thickness	mm	65.0
		in	2.6
	Tine Capacity	kg	6300
		lbs	13885
	Operating Weight	kg	29034
		lbs	63990

\*Negative values indicate below grade

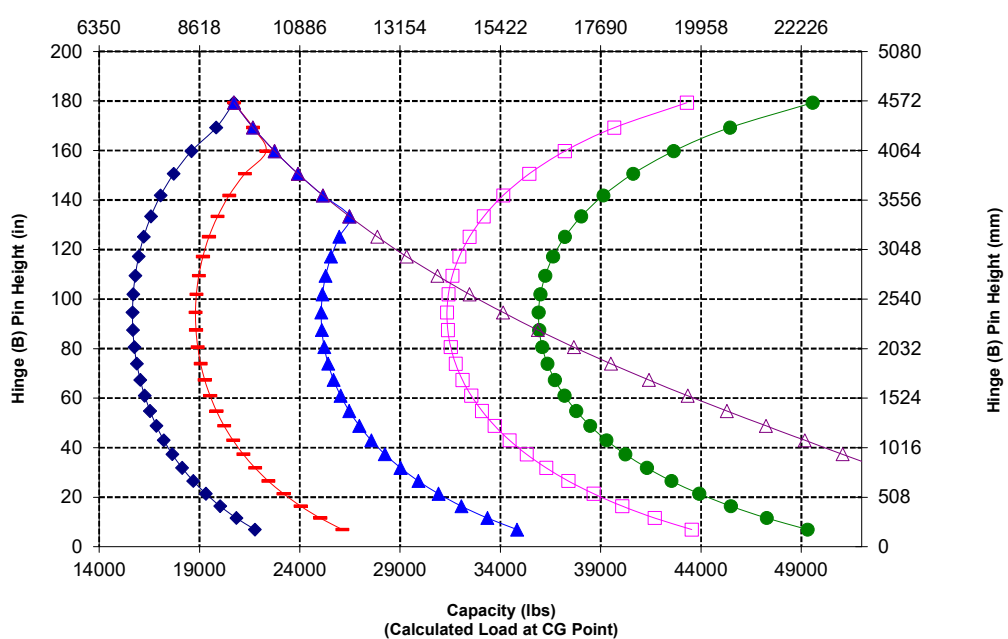
### 980 STD Pallet Fork, FUSION

87" Carriage  
530-1861

60" Tine  
548-3265



Capacity (kg)  
(Calculated Load at CG Point)



**NOTE:** Static tipping loads and operating weight are based on the following loader configuration: Bridgestone® VSNT L4 Tires, Air Conditioning, Ride Control, Powertrain Guard, Full Fluids, Fuel Tank, Coolant, Lubricants, and Operator.

Specifications and ratings conform to the following standards: SAE® J1197, ISO 14397-1, CEN® EN 474-3.

The rated operating load for a loader equipped with a pallet fork is determined by:  
SAE J1197: 50% of full turn static tipping load or hydraulic limit.  
CEN EN 474-3: 60% of full turn static tipping load on rough terrain or hydraulic limit.  
CEN EN 474-3: 80% of full turn static tipping load on firm and level ground or hydraulic limit.

\*SAE - Society of Automotive Engineers  
\*\*CEN - European Committee for Standardization



**WARNING:** Do not exceed tine load capacity. Individual tine capacity is stamped on the side of each tine.

# 980 Wheel Loader Specifications

## Fork Specifications

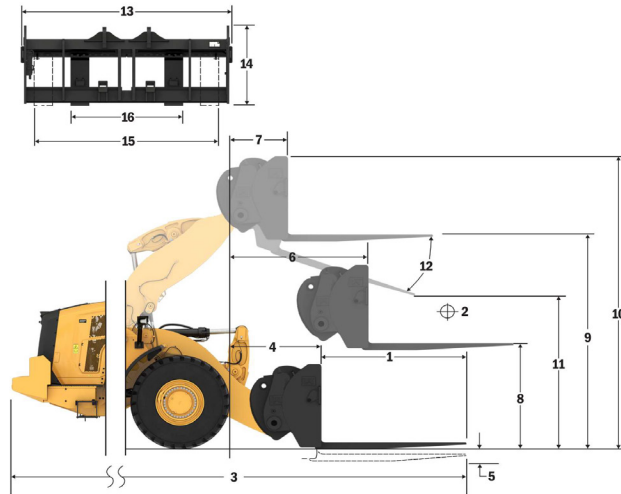
### Fork Specifications

1	Tine Length	mm	1830
		in	72.0
2	Load Center	mm	915
		in	36.0
	Static Tipping Load - Straight (Forks Level)	kg	15570
		lbs	34316
	Static Tipping Load - Articulated (Forks Level)	kg	13586
		lbs	29943
	Rated Load (SAE J1197 - 50% FTSTL)	kg	6793
		lbs	14971
	Rated Load (CEN EN 474-3 Rough Terrain - 60% FTSTL)	kg	8151
		lbs	17966
	Rated Load (CEN EN 474-3 Firm and Level Ground - 80% FTSTL)	kg	8327
		lbs	18352
3	Maximum Overall Length	mm	10442
		in	411.1
4	Reach with Forks at Ground Level	mm	1199
		in	47.2
5	*Ground to Bottom of Tine at Minimum Height and Fork Level	mm	-151
		in	-5.9
6	Reach with Arms Horizontal and Forks Level	mm	1809
		in	71.2
7	Reach with Fork at Maximum Height	mm	883
		in	34.7
8	Ground to Top of Tine with Arms Horizontal and Fork Level	mm	2024
		in	79.7
9	Ground to Top of Tine at Maximum Height and Fork Level	mm	4292
		in	169.0
10	Overall Height of Fork at Full Lift (top of carriage to ground)	mm	5067
		in	199.5
11	Clearance at Full Lift and Max Dump	mm	2676
		in	105.4
12	Max Discharge Angle from Horizontal	deg	45
13	Overall Carriage Width	mm	2217
		in	87.3
14	Overall Carriage Height	mm	840
		in	33.1
15	Outside Tine Width (max spread)	mm	2070
		in	81.5
16	Outside Tine Width (min spread)	mm	470
		in	18.5
	Tine Width (single tine)	mm	150.0
		in	5.9
	Tine Thickness	mm	65.0
		in	2.6
	Tine Capacity	kg	5246
		lbs	11562
	Operating Weight	kg	29081
		lbs	64093

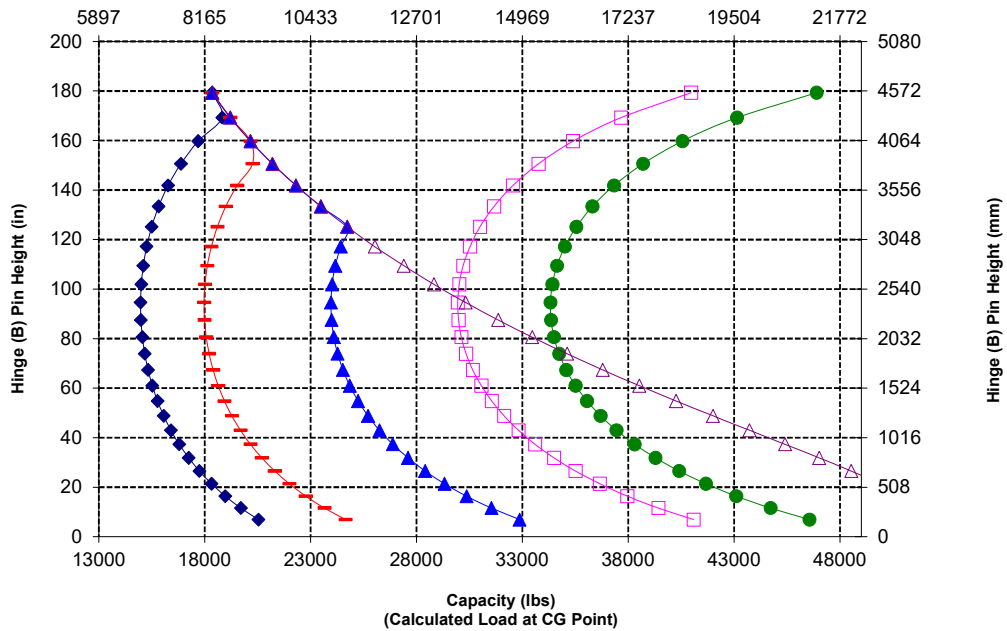
\*Negative values indicate below grade

### 980 STD Pallet Fork, FUSION

87" Carriage 72" Tine  
530-1861 530-1869



Capacity (kg)  
(Calculated Load at CG Point)



**WARNING:** Do not exceed tine load capacity. Individual tine capacity is stamped on the side of each tine.

# 980 Wheel Loader Specifications

## Fork Specifications

### Fork Specifications

1	Tine Length	mm	1219
		in	48.0
2	Load Center	mm	610
		in	24.0
	Static Tipping Load - Straight (Forks Level)	kq	16793
		lbs	37011
	Static Tipping Load - Articulated (Forks Level)	kq	14622
		lbs	32226
	Rated Load (SAE J1197 - 50% FTSTL)	kq	7311
		lbs	16113
	Rated Load (CEN EN 474-3 Rough Terrain - 60% FTSTL)	kq	8773
		lbs	19335
	Rated Load (CEN EN 474-3 Firm and Level Ground - 80% FTSTL)	kq	11289
		lbs	24881
3	Maximum Overall Length	mm	9773
		in	384.8
4	Reach with Forks at Ground Level	mm	1141
		in	44.9
5	*Ground to Bottom of Tine at Minimum Height and Fork Level	mm	-65
		in	-2.5
6	Reach with Arms Horizontal and Forks Level	mm	1797
		in	70.7
7	Reach with Fork at Maximum Height	mm	870
		in	34.2
8	Ground to Top of Tine with Arms Horizontal and Fork Level	mm	2135
		in	84.0
9	Ground to Top of Tine at Maximum Height and Fork Level	mm	4403
		in	173.4
10	Overall Height of Fork at Full Lift (top of carriage to ground)	mm	5443
		in	214.3
11	Clearance at Full Lift and Max Dump	mm	3074
		in	121.0
12	Max Discharge Angle from Horizontal	deg	51
13	Overall Carriage Width	mm	2833
		in	111.5
14	Overall Carriage Height	mm	1130
		in	44.5
15	Outside Tine Width (max spread)	mm	2493
		in	98.1
16	Outside Tine Width (min spread)	mm	590
		in	23.2
	Tine Width (single tine)	mm	180.0
		in	7.1
	Tine Thickness	mm	90.0
		in	3.5
	Tine Capacity	kq	22200
		lbs	48929
	Operating Weight	kq	29396
		lbs	64788

\*Negative values indicate below grade

### 980 STD

Construction Fork, FUSION

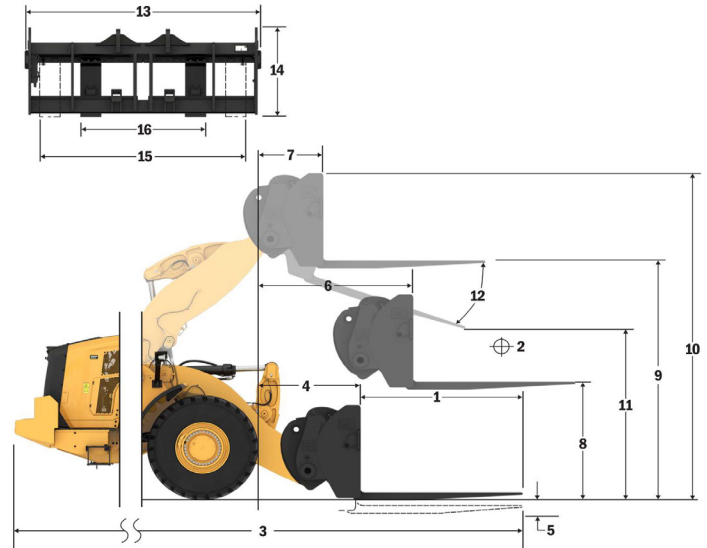
108" Carriage

48" Tine

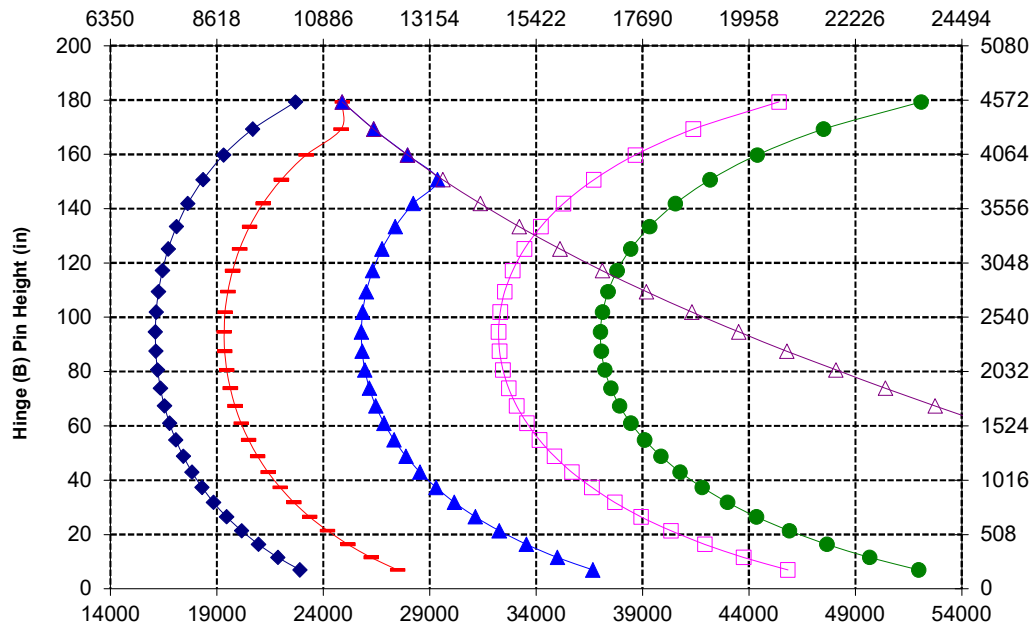
520-7968

520-7985

\*Build 14A  
\*Parallel Z-Bar Linkage  
\*Standard Lift Configuration



Capacity (kg)  
(Calculated Load at CG Point)



**NOTE:** Static tipping loads and operating weight are based on the following loader configuration: Bridgestone \* VSNT L4 Tires, Air Conditioning, Ride Control, Powertrain Guard, Full Fluids, Fuel Tank, Coolant, Lubricants, and Operator.

Specifications and ratings conform to the following standards: SAE\* J1197, ISO 14397-1, CEN\*\* EN 474-3.

The rated operating load for a loader equipped with a pallet fork is determined by:  
SAE J1197: 50% of full turn static tipping load or hydraulic limit.  
CEN EN 474-3: 60% of full turn static tipping load on rough terrain or hydraulic limit.  
CEN EN 474-3: 80% of full turn static tipping load on firm and level ground or hydraulic limit.

\*SAE - Society of Automotive Engineers

\*\*CEN - European Committee for Standardization

Capacity (lbs)  
(Calculated Load at CG Point)

# 980 Wheel Loader Specifications

## Fork Specifications

### Fork Specifications

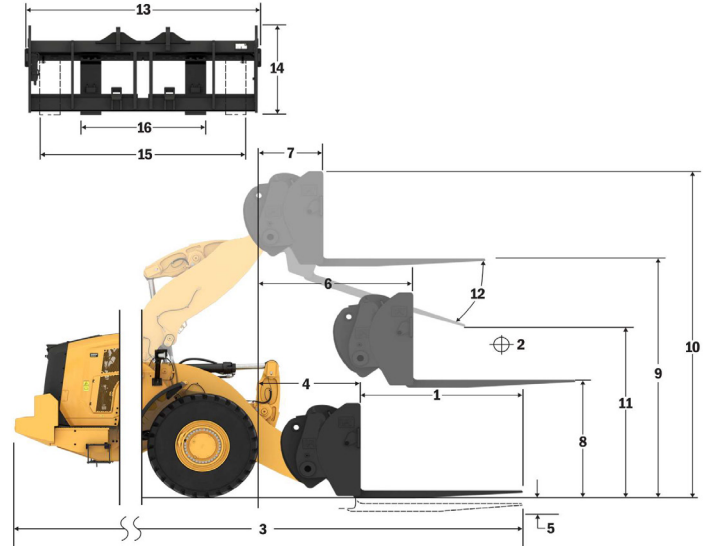
1	Tine Length	mm	1524
		in	60.0
2	Load Center	mm	762
		in	30.0
	Static Tipping Load - Straight (Forks Level)	kq	16014
		lbs	35295
	Static Tipping Load - Articulated (Forks Level)	kq	13936
		lbs	30714
	Rated Load (SAE J1197 - 50% FTSTL)	kq	6968
		lbs	15357
	Rated Load (CEN EN 474-3 Rough Terrain - 60% FTSTL)	kq	8361
		lbs	18429
	Rated Load (CEN EN 474-3 Firm and Level Ground - 80% FTSTL)	kq	9839
		lbs	21685
3	Maximum Overall Length	mm	10078
		in	396.8
4	Reach with Forks at Ground Level	mm	1141
		in	44.9
5	*Ground to Bottom of Tine at Minimum Height and Fork Level	mm	-65
		in	-2.5
6	Reach with Arms Horizontal and Forks Level	mm	1797
		in	70.7
7	Reach with Fork at Maximum Height	mm	870
		in	34.2
8	Ground to Top of Tine with Arms Horizontal and Fork Level	mm	2135
		in	84.0
9	Ground to Top of Tine at Maximum Height and Fork Level	mm	4403
		in	173.4
10	Overall Height of Fork at Full Lift (top of carriage to ground)	mm	5443
		in	214.3
11	Clearance at Full Lift and Max Dump	mm	2835
		in	111.6
12	Max Discharge Angle from Horizontal	deg	51
13	Overall Carriage Width	mm	2833
		in	111.5
14	Overall Carriage Height	mm	1130
		in	44.5
15	Outside Tine Width (max spread)	mm	2483
		in	97.8
16	Outside Tine Width (min spread)	mm	590
		in	23.2
	Tine Width (single tine)	mm	180.0
		in	7.1
	Tine Thickness	mm	90.0
		in	3.5
	Tine Capacity	kq	17800
		lbs	39231
	Operating Weight	kq	29458
		lbs	64924

\*Negative values indicate below grade

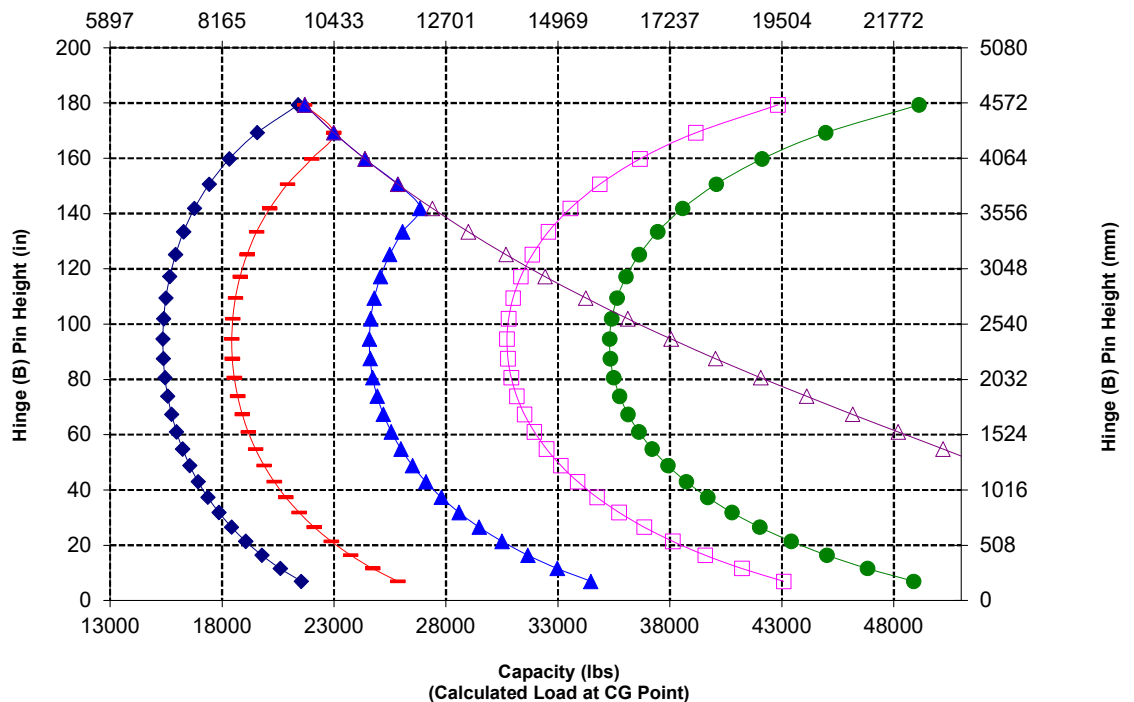
### 980 STD Construction Fork, FUSION

108" Carriage 60" Tine  
520-7968 520-7980

\*Build 14A  
\*Parallel Z-Bar Linkage  
\*Standard Lift Configuration



Capacity (kg)  
(Calculated Load at CG Point)





# 980 Wheel Loader Specifications

## Fork Specifications

### Fork Specifications

1	Tine Length	mm	1829
		in	72.0
2	Load Center	mm	915
		in	36.0
	Static Tipping Load - Straight (Forks Level)	kq	15292
		lbs	33703
	Static Tipping Load - Articulated (Forks Level)	kq	13299
		lbs	29312
	Rated Load (SAE J1197 - 50% FTSTL)	kq	6650
		lbs	14656
	Rated Load (CEN EN 474-3 Rough Terrain - 60% FTSTL)	kq	7980
		lbs	17587
	Rated Load (CEN EN 474-3 Firm and Level Ground - 80% FTSTL)	kq	8691
		lbs	19155
3	Maximum Overall Length	mm	10383
		in	408.8
4	Reach with Forks at Ground Level	mm	1141
		in	44.9
5	*Ground to Bottom of Tine at Minimum Height and Fork Level	mm	-65
		in	-2.5
6	Reach with Arms Horizontal and Forks Level	mm	1797
		in	70.7
7	Reach with Fork at Maximum Height	mm	870
		in	34.2
8	Ground to Top of Tine with Arms Horizontal and Fork Level	mm	2135
		in	84.0
9	Ground to Top of Tine at Maximum Height and Fork Level	mm	4403
		in	173.4
10	Overall Height of Fork at Full Lift (top of carriage to ground)	mm	5443
		in	214.3
11	Clearance at Full Lift and Max Dump	mm	2597
		in	102.3
12	Max Discharge Angle from Horizontal	deg	51
13	Overall Carriage Width	mm	2833
		in	111.5
14	Overall Carriage Height	mm	1130
		in	44.5
15	Outside Tine Width (max spread)	mm	2483
		in	97.8
16	Outside Tine Width (min spread)	mm	590
		in	23.2
	Tine Width (single tine)	mm	180.0
		in	7.1
	Tine Thickness	mm	90.0
		in	3.5
	Tine Capacity	kq	14800
		lbs	32619
	Operating Weight	kq	29520
		lbs	65061

\*Negative values indicate below grade

### 980 STD

Construction Fork, FUSION

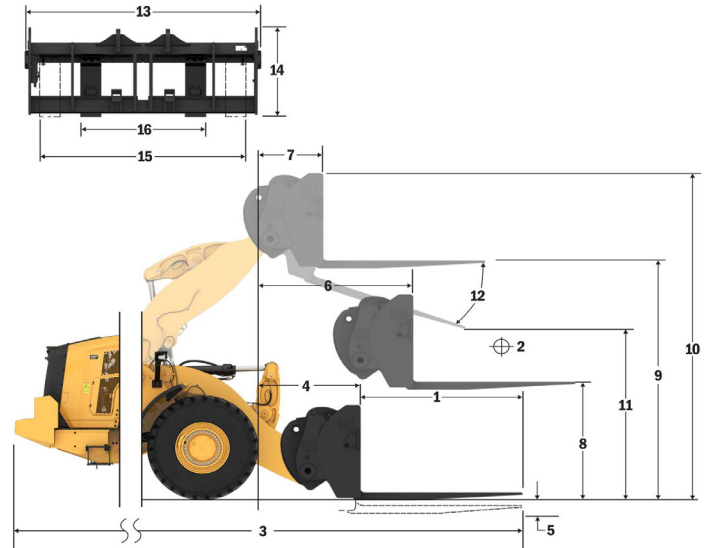
108" Carriage

72" Tine

520-7968

520-7979

\*Build 14A  
\*Parallel Z-Bar Linkage  
\*Standard Lift Configuration



- ◆ Payload (SAE J1197)
- Payload (CEN EN 474-3 - Rough Terrain)
- ▲ Payload (CEN EN 474-3 - Firm & Level)
- ◻ Static Tipping Load - Articulated
- Static Tipping Load - Straight
- ▲ Hydraulic TR Capacity
- Hydraulic LR Capacity

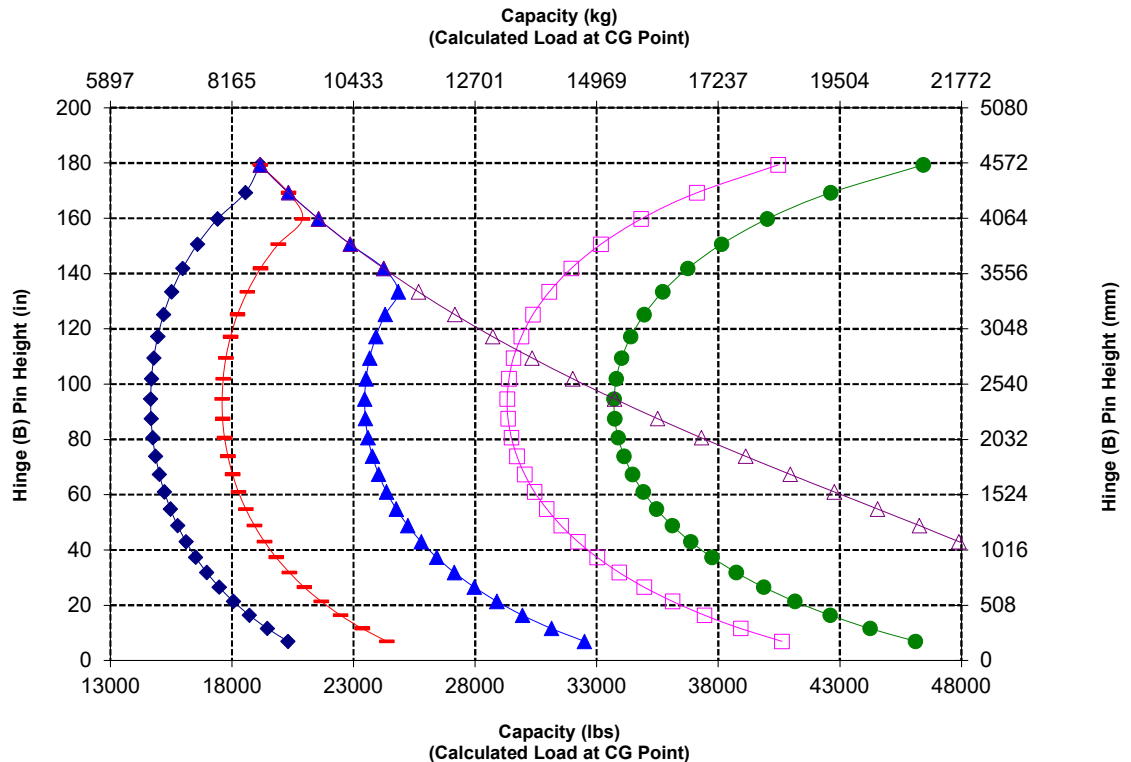
**NOTE:** Static tipping loads and operating weight are based on the following loader configuration: Bridgestone \* VSNT L4 Tires, Air Conditioning, Ride Control, Powertrain Guard, Full Fluids, Fuel Tank, Coolant, Lubricants, and Operator.

Specifications and ratings conform to the following standards: SAE\* J1197, ISO 14397-1, CEN\*\* EN 474-3.

The rated operating load for a loader equipped with a pallet fork is determined by:  
SAE J1197: 50% of full turn static tipping load or hydraulic limit.  
CEN EN 474-3: 60% of full turn static tipping load on rough terrain or hydraulic limit.  
CEN EN 474-3: 80% of full turn static tipping load on firm and level ground or hydraulic limit.

\*SAE - Society of Automotive Engineers

\*\*CEN - European Committee for Standardization



# 980 Wheel Loader Specifications

## Fork Specifications

### Fork Specifications

1	Tine Length	mm	2134
		in	84.0
2	Load Center	mm	1067
		in	42.0
	Static Tipping Load - Straight (Forks Level)	kq	14622
		lbs	32227
	Static Tipping Load - Articulated (Forks Level)	kq	12709
		lbs	28010
	Rated Load (SAE J1197 - 50% FTSTL)	kq	6354
		lbs	14005
	Rated Load (CEN EN 474-3 Rough Terrain - 60% FTSTL)	kq	7625
		lbs	16806
	Rated Load (CEN EN 474-3 Firm and Level Ground - 80% FTSTL)	kq	7759
		lbs	17102
3	Maximum Overall Length	mm	10688
		in	420.8
4	Reach with Forks at Ground Level	mm	1141
		in	44.9
5	*Ground to Bottom of Tine at Minimum Height and Fork Level	mm	-65
		in	-2.5
6	Reach with Arms Horizontal and Forks Level	mm	1797
		in	70.7
7	Reach with Fork at Maximum Height	mm	870
		in	34.2
8	Ground to Top of Tine with Arms Horizontal and Fork Level	mm	2135
		in	84.0
9	Ground to Top of Tine at Maximum Height and Fork Level	mm	4403
		in	173.4
10	Overall Height of Fork at Full Lift (top of carriage to ground)	mm	5443
		in	214.3
11	Clearance at Full Lift and Max Dump	mm	2359
		in	92.9
12	Max Discharge Angle from Horizontal	deg	51
13	Overall Carriage Width	mm	2833
		in	111.5
14	Overall Carriage Height	mm	1130
		in	44.5
15	Outside Tine Width (max spread)	mm	2483
		in	97.8
16	Outside Tine Width (min spread)	mm	590
		in	23.2
	Tine Width (single tine)	mm	180.0
		in	7.1
	Tine Thickness	mm	90.0
		in	3.5
	Tine Capacity	kq	12700
		lbs	27991
	Operating Weight	kq	29582
		lbs	65198

\*Negative values indicate below grade

### 980 STD

Construction Fork, FUSION

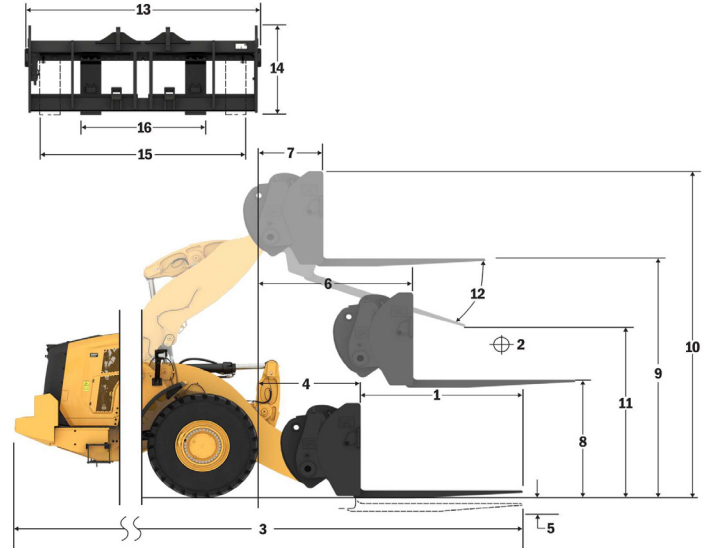
108" Carriage

84" Tine

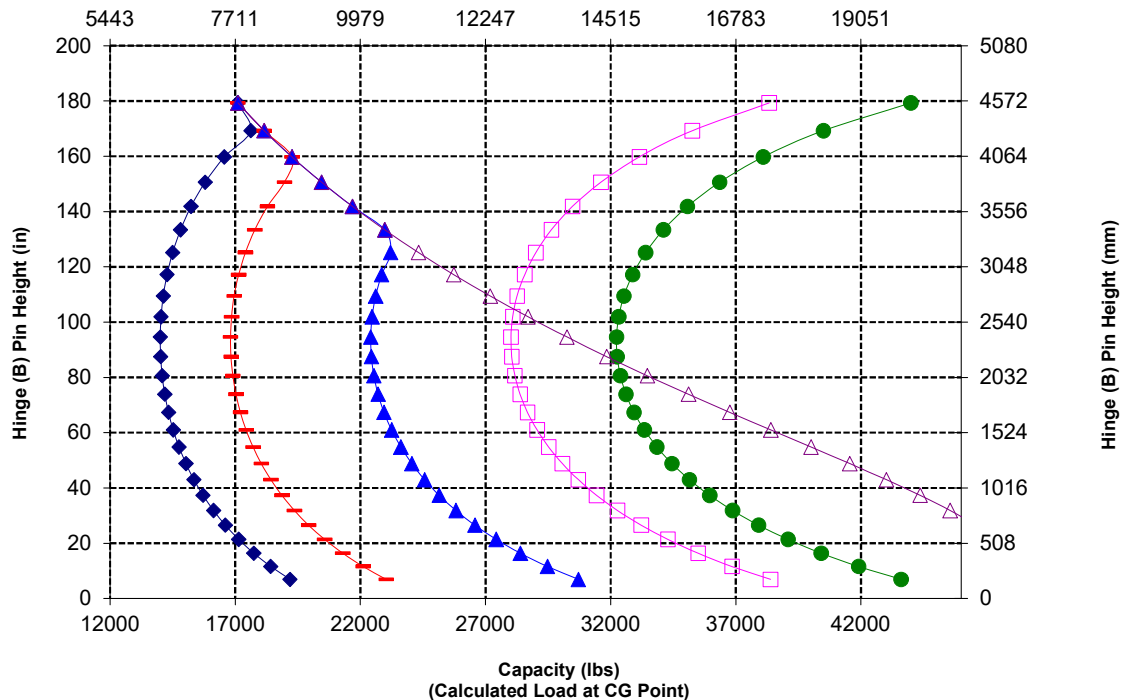
520-7968

520-7986

\*Build 14A  
\*Parallel Z-Bar Linkage  
\*Standard Lift Configuration



Capacity (kg)  
(Calculated Load at CG Point)



**NOTE:** Static tipping loads and operating weight are based on the following loader configuration: Bridgestone \* VSNT L4 Tires, Air Conditioning, Ride Control, Powertrain Guard, Full Fluids, Fuel Tank, Coolant, Lubricants, and Operator.

Specifications and ratings conform to the following standards: SAE\* J1197, ISO 14397-1, CEN\*\* EN 474-3.

The rated operating load for a loader equipped with a pallet fork is determined by:  
SAE J1197: 50% of full turn static tipping load or hydraulic limit.  
CEN EN 474-3: 60% of full turn static tipping load on rough terrain or hydraulic limit.  
CEN EN 474-3: 80% of full turn static tipping load on firm and level ground or hydraulic limit.

\*SAE - Society of Automotive Engineers

\*\*CEN - European Committee for Standardization



# 980 Wheel Loader Specifications

## Fork Specifications

### Fork Specifications

1	Tine Length	mm	2438
		in	96.0
2	Load Center	mm	1219
		in	48.0
	Static Tipping Load - Straight (Forks Level)	kq	13999
		lbs	30855
	Static Tipping Load - Articulated (Forks Level)	kq	12159
		lbs	26799
	Rated Load (SAE J1197 - 50% FTSTL)	kq	6080
		lbs	13399
	Rated Load (CEN EN 474-3 Rough Terrain - 60% FTSTL)	kq	6988
		lbs	15401
	Rated Load (CEN EN 474-3 Firm and Level Ground - 80% FTSTL)	kq	6988
		lbs	15401
3	Maximum Overall Length	mm	10992
		in	432.8
4	Reach with Forks at Ground Level	mm	1141
		in	44.9
5	*Ground to Bottom of Tine at Minimum Height and Fork Level	mm	-65
		in	-2.5
6	Reach with Arms Horizontal and Forks Level	mm	1797
		in	70.7
7	Reach with Fork at Maximum Height	mm	870
		in	34.2
8	Ground to Top of Tine with Arms Horizontal and Fork Level	mm	2135
		in	84.0
9	Ground to Top of Tine at Maximum Height and Fork Level	mm	4403
		in	173.4
10	Overall Height of Fork at Full Lift (top of carriage to ground)	mm	5443
		in	214.3
11	Clearance at Full Lift and Max Dump	mm	2122
		in	83.5
12	Max Discharge Angle from Horizontal	deg	51
13	Overall Carriage Width	mm	2833
		in	111.5
14	Overall Carriage Height	mm	1130
		in	44.5
15	Outside Tine Width (max spread)	mm	2483
		in	97.8
16	Outside Tine Width (min spread)	mm	590
		in	23.2
	Tine Width (single tine)	mm	180.0
		in	7.1
	Tine Thickness	mm	90.0
		in	3.5
	Tine Capacity	kq	11300
		lbs	24905
	Operating Weight	kq	29645
		lbs	65336

\*Negative values indicate below grade

### 980 STD

Construction Fork, FUSION

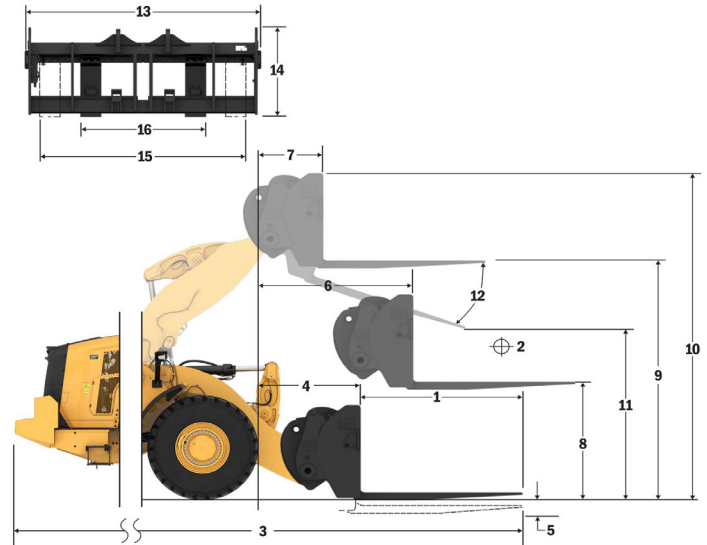
108" Carriage

96" Tine

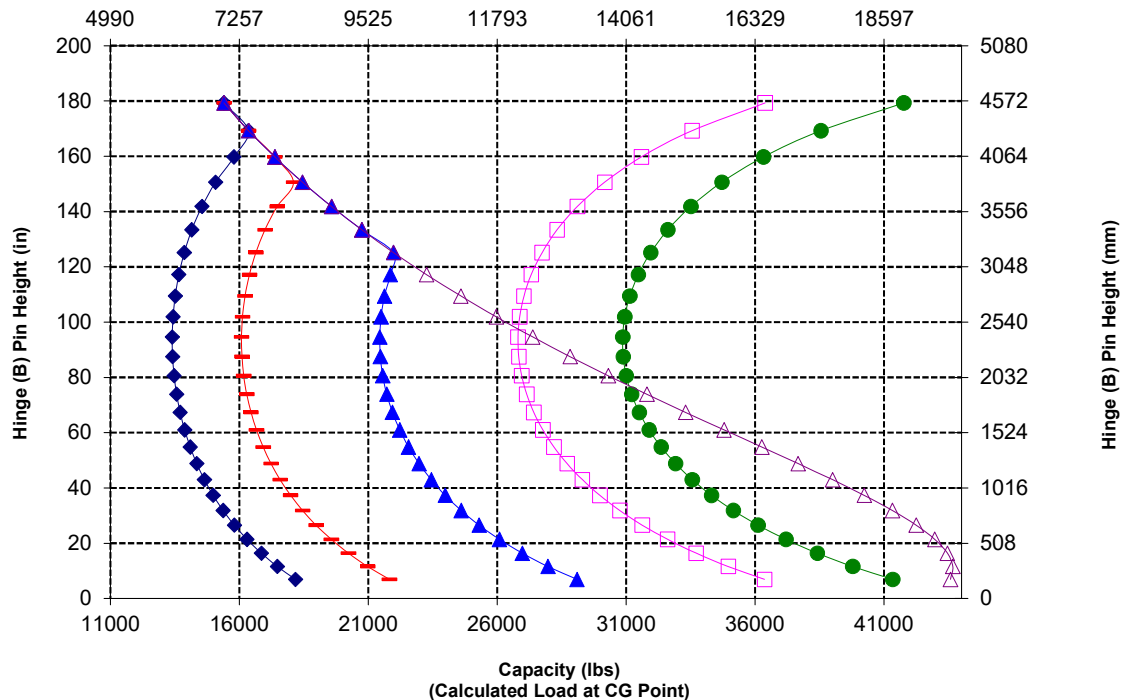
520-7968

520-7981

\*Build 14A  
\*Parallel Z-Bar Linkage  
\*Standard Lift Configuration



Capacity (kg)  
(Calculated Load at CG Point)



**NOTE:** Static tipping loads and operating weight are based on the following loader configuration: Bridgestone \* VSNT L4 Tires, Air Conditioning, Ride Control, Powertrain Guard, Full Fluids, Fuel Tank, Coolant, Lubricants, and Operator.

Specifications and ratings conform to the following standards: SAE\* J1197, ISO 14397-1, CEN\*\* EN 474-3.

The rated operating load for a loader equipped with a pallet fork is determined by:  
SAE J1197: 50% of full turn static tipping load or hydraulic limit.  
CEN EN 474-3: 60% of full turn static tipping load on rough terrain or hydraulic limit.  
CEN EN 474-3: 80% of full turn static tipping load on firm and level ground or hydraulic limit.

\*SAE - Society of Automotive Engineers

\*\*CEN - European Committee for Standardization

# 980 Wheel Loader Specifications

## Fork Specifications

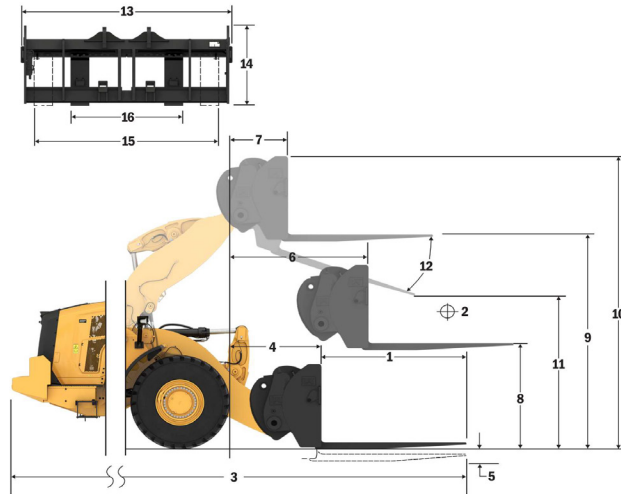
### Fork Specifications

1	Tine Length	mm	1829
		in	72.0
2	Load Center	mm	914
		in	36.0
	Static Tipping Load - Straight (Forks Level)	kg	14965
		lbs	32984
	Static Tipping Load - Articulated (Forks Level)	kg	12974
		lbs	28595
	Rated Load (SAE J1197 - 50% FTSTL)	kg	6487
		lbs	14298
	Rated Load (CEN EN 474-3 Rough Terrain - 60% FTSTL)	kg	7785
		lbs	17157
	Rated Load (CEN EN 474-3 Firm and Level Ground - 80% FTSTL)	kg	8905
		lbs	19627
3	Maximum Overall Length	mm	10404
		in	409.6
4	Reach with Forks at Ground Level	mm	1162
		in	45.8
5	*Ground to Bottom of Tine at Minimum Height and Fork Level	mm	-99
		in	-3.9
6	Reach with Arms Horizontal and Forks Level	mm	1796
		in	70.7
7	Reach with Fork at Maximum Height	mm	869
		in	34.2
8	Ground to Top of Tine with Arms Horizontal and Fork Level	mm	2095
		in	82.5
9	Ground to Top of Tine at Maximum Height and Fork Level	mm	4364
		in	171.8
10	Overall Height of Fork at Full Lift (top of carriage to ground)	mm	5407
		in	212.9
11	Clearance at Full Lift and Max Dump	mm	2498
		in	98.3
12	Max Discharge Angle from Horizontal	deg	55
13	Overall Carriage Width	mm	2821
		in	111.1
14	Overall Carriage Height	mm	1129
		in	44.4
15	Outside Tine Width (max spread)	mm	2627
		in	103.4
16	Outside Tine Width (min spread)	mm	747
		in	29.4
	Tine Width (single tine)	mm	250.0
		in	9.8
	Tine Thickness	mm	85.0
		in	3.3
	Tine Capacity	kg	18700
		lbs	41215
	Operating Weight	kg	29958
		lbs	66026

\*Negative values indicate below grade

### 980 STD Construction Fork, HD, FUSION

108" Carriage 72" Tine  
523-4199 523-4200

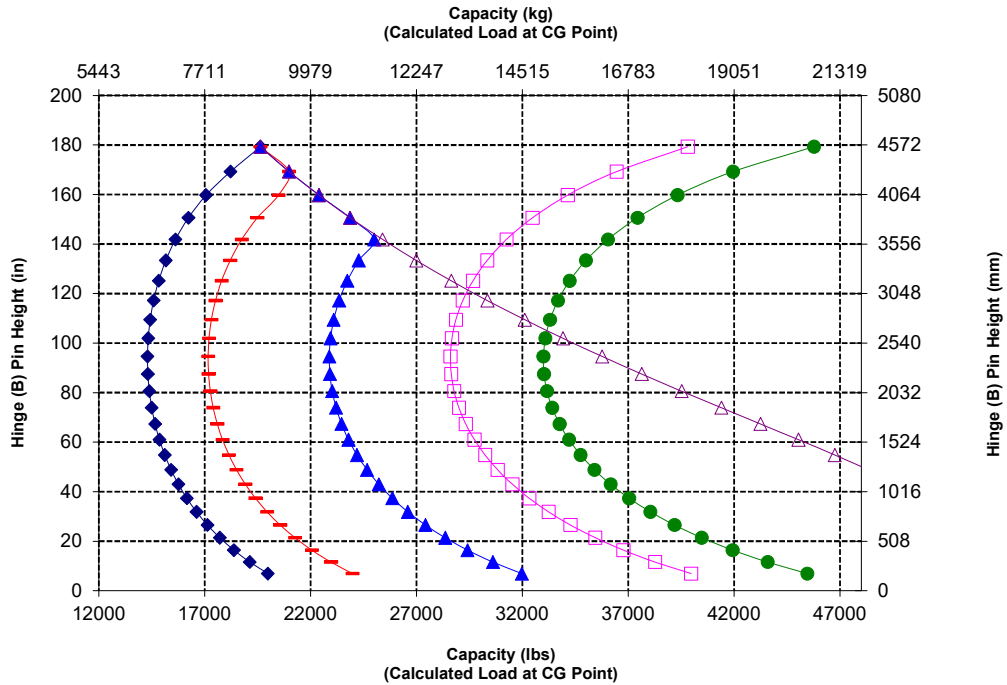


**NOTE:** Static tipping loads and operating weight are based on the following loader configuration: Bridgestone™ VSNLT L4 Tires, Air Conditioning, Ride Control, Powertrain Guard, Full Fluids, Fuel Tank, Coolant, Lubricants, and Operator.

Specifications and ratings conform to the following standards: SAE® J1197, ISO 14397-1, CEN\*\* EN 474-3.

The rated operating load for a loader equipped with a pallet fork is determined by:  
SAE J1197: 50% of full turn static tipping load or hydraulic limit.  
CEN EN 474-3: 60% of full turn static tipping load on rough terrain or hydraulic limit.  
CEN EN 474-3: 80% of full turn static tipping load on firm and level ground or hydraulic limit.

\*SAE - Society of Automotive Engineers  
\*\*CEN - European Committee for Standardization



**WARNING:** Do not exceed tine load capacity. Individual tine capacity is stamped on the side of each tine.

# 980 Wheel Loader Specifications

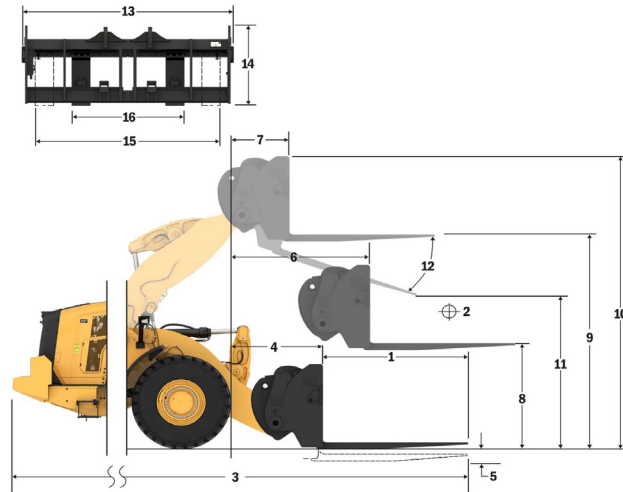
## Fork Specifications

### Fork Specifications

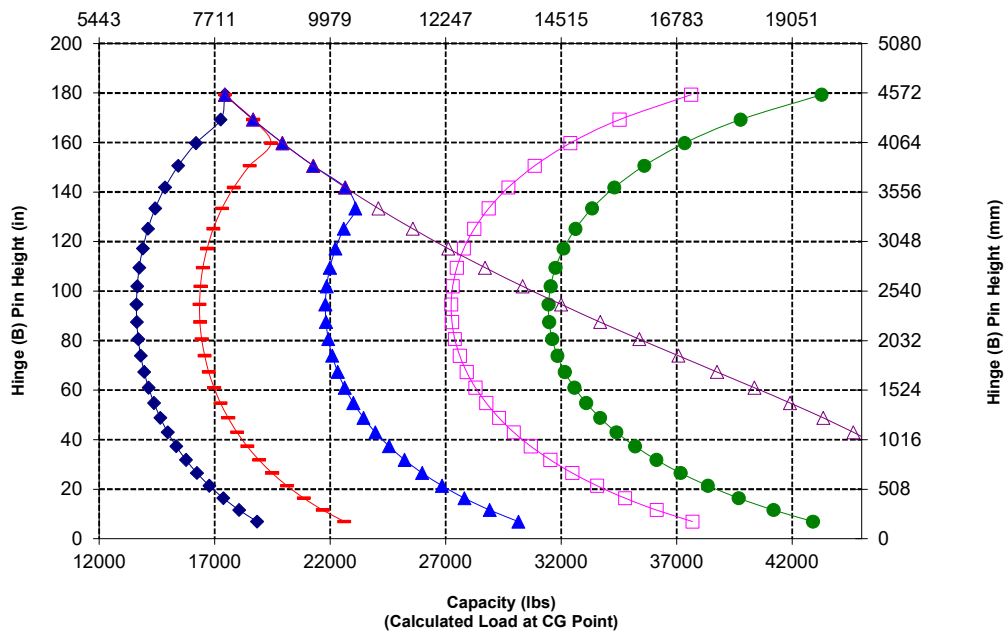
1	Tine Length	mm	2134
		in	84.0
2	Load Center	mm	1067
		in	42.0
	Static Tipping Load - Straight (Forks Level)	kg	14267
		lbs	31445
	Static Tipping Load - Articulated (Forks Level)	kg	12355
		lbs	27231
	Rated Load (SAE J1197 - 50% FTSTL)	kg	6178
		lbs	13615
	Rated Load (CEN EN 474-3 Rough Terrain - 60% FTSTL)	kg	7413
		lbs	16338
	Rated Load (CEN EN 474-3 Firm and Level Ground - 80% FTSTL)	kg	7914
		lbs	17442
3	Maximum Overall Length	mm	10713
		in	421.8
4	Reach with Forks at Ground Level	mm	1166
		in	45.9
5	*Ground to Bottom of Tine at Minimum Height and Fork Level	mm	-99
		in	-3.9
6	Reach with Arms Horizontal and Forks Level	mm	1796
		in	70.7
7	Reach with Fork at Maximum Height	mm	869
		in	34.2
8	Ground to Top of Tine with Arms Horizontal and Fork Level	mm	2100
		in	82.7
9	Ground to Top of Tine at Maximum Height and Fork Level	mm	4369
		in	172.0
10	Overall Height of Fork at Full Lift (top of carriage to ground)	mm	5407
		in	212.9
11	Clearance at Full Lift and Max Dump	mm	2247
		in	88.5
12	Max Discharge Angle from Horizontal	deg	55
13	Overall Carriage Width	mm	2821
		in	111.1
14	Overall Carriage Height	mm	1129
		in	44.4
15	Outside Tine Width (max spread)	mm	2627
		in	103.4
16	Outside Tine Width (min spread)	mm	747
		in	29.4
	Tine Width (single tine)	mm	250.0
		in	9.8
	Tine Thickness	mm	90.0
		in	3.5
	Tine Capacity	kg	17729
		lbs	39075
	Operating Weight	kg	30060
		lbs	66251

\*Negative values indicate below grade

### 980 STD Construction Fork, HD, FUSION 108" Carriage 84" Tine 523-4199 523-4201



Capacity (kg)  
(Calculated Load at CG Point)



**NOTE:** Static tipping loads and operating weight are based on the following loader configuration: Bridgestone® VSNT L4 Tires, Air Conditioning, Ride Control, Powertrain Guard, Full Fluids, Fuel Tank, Coolant, Lubricants, and Operator.

Specifications and ratings conform to the following standards: SAE® J1197, ISO 14397-1, CEN\*\* EN 474-3.

The rated operating load for a loader equipped with a pallet fork is determined by:  
SAE J1197: 50% of full turn static tipping load or hydraulic limit.  
CEN EN 474-3: 60% of full turn static tipping load on rough terrain or hydraulic limit.  
CEN EN 474-3: 80% of full turn static tipping load on firm and level ground or hydraulic limit.

\*SAE - Society of Automotive Engineers  
\*\*CEN - European Committee for Standardization



**WARNING:** Do not exceed tine load capacity. Individual tine capacity is stamped on the side of each tine.

# 980 Wheel Loader Specifications

## Fork Specifications

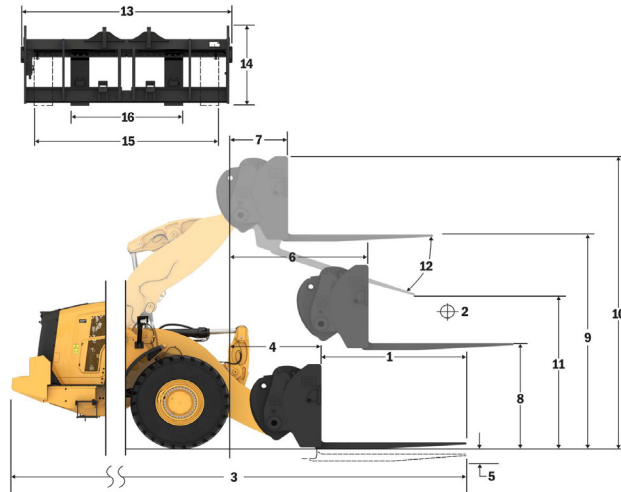
### Fork Specifications

1	Tine Length	mm	2438
		in	96.0
2	Load Center	mm	1219
		in	48.0
	Static Tipping Load - Straight (Forks Level)	kg	13562
		lbs	29890
	Static Tipping Load - Articulated (Forks Level)	kg	11724
		lbs	25839
	Rated Load (SAE J1197 - 50% FTSTL)	kg	5862
		lbs	12920
	Rated Load (CEN EN 474-3 Rough Terrain - 60% FTSTL)	kg	7034
		lbs	15504
	Rated Load (CEN EN 474-3 Firm and Level Ground - 80% FTSTL)	kg	7041
		lbs	15518
3	Maximum Overall Length	mm	11021
		in	433.9
4	Reach with Forks at Ground Level	mm	1170
		in	46.1
5	*Ground to Bottom of Tine at Minimum Height and Fork Level	mm	-98
		in	-3.8
6	Reach with Arms Horizontal and Forks Level	mm	1801
		in	70.9
7	Reach with Fork at Maximum Height	mm	874
		in	34.4
8	Ground to Top of Tine with Arms Horizontal and Fork Level	mm	2102
		in	82.7
9	Ground to Top of Tine at Maximum Height and Fork Level	mm	4370
		in	172.1
10	Overall Height of Fork at Full Lift (top of carriage to ground)	mm	5407
		in	212.9
11	Clearance at Full Lift and Max Dump	mm	1994
		in	78.5
12	Max Discharge Angle from Horizontal	deg	55
13	Overall Carriage Width	mm	2821
		in	111.1
14	Overall Carriage Height	mm	1127
		in	44.4
15	Outside Tine Width (max spread)	mm	2629
		in	103.5
16	Outside Tine Width (min spread)	mm	747
		in	29.4
	Tine Width (single tine)	mm	250.0
		in	9.8
	Tine Thickness	mm	90.0
		in	3.5
	Tine Capacity	kg	15750
		lbs	34713
	Operating Weight	kg	30211
		lbs	66584

\*Negative values indicate below grade

### 980 STD Construction Fork, HD, FUSION

108" Carriage 96" Tine  
523-4199 523-4202

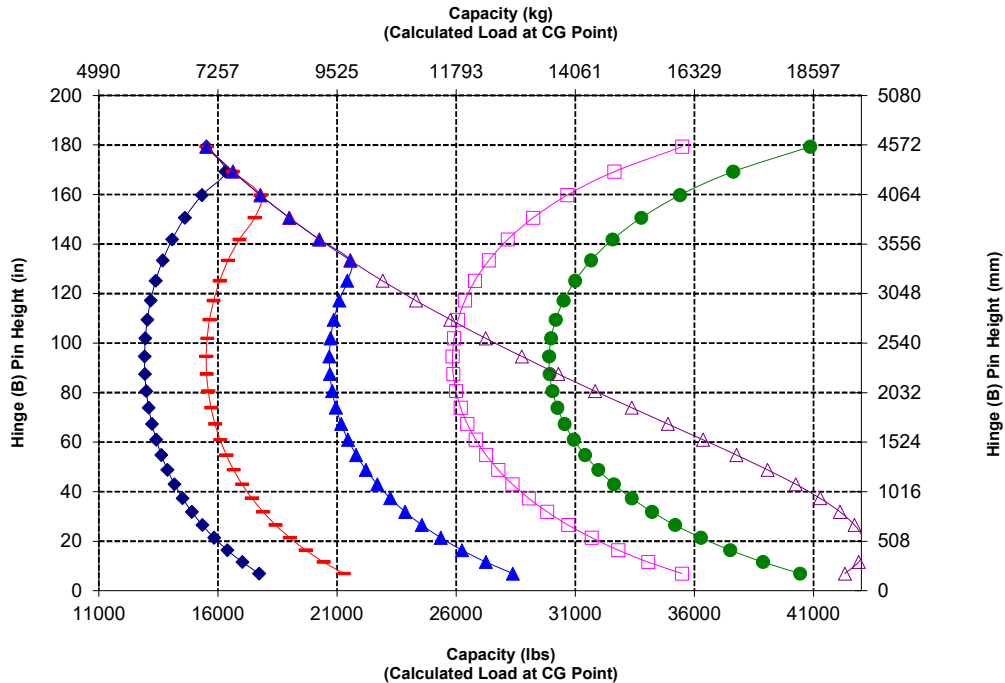


**NOTE:** Static tipping loads and operating weight are based on the following loader configuration: Bridgestone™ VSNT L4 Tires, Air Conditioning, Ride Control, Powertrain Guard, Full Fluids, Fuel Tank, Coolant, Lubricants, and Operator.

Specifications and ratings conform to the following standards: SAE™ J1197, ISO 14397-1, CEN\*\* EN 474-3.

The rated operating load for a loader equipped with a pallet fork is determined by:  
SAE J1197: 50% of full turn static tipping load or hydraulic limit.  
CEN EN 474-3: 60% of full turn static tipping load on rough terrain or hydraulic limit.  
CEN EN 474-3: 80% of full turn static tipping load on firm and level ground or hydraulic limit.

\*SAE - Society of Automotive Engineers  
\*\*CEN - European Committee for Standardization



**WARNING:** Do not exceed tine load capacity. Individual tine capacity is stamped on the side of each tine.

# 980 Wheel Loader Specifications

## Fork Specifications

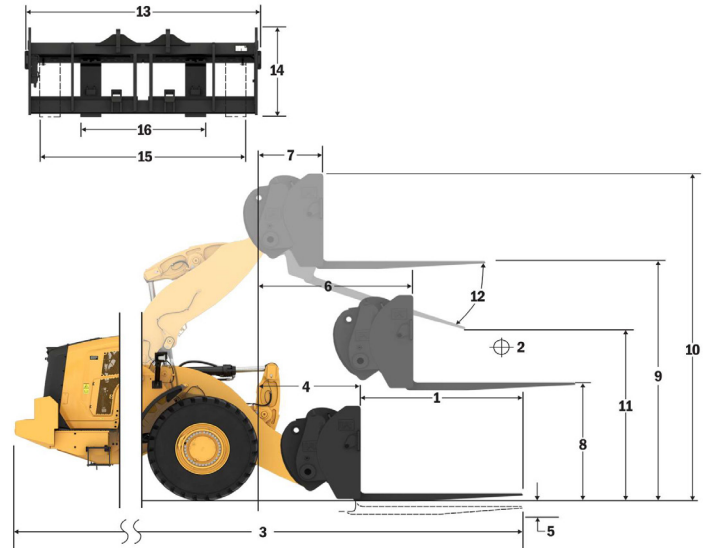
### Fork Specifications

1	Tine Length	mm	1524
		in	60.0
2	Load Center	mm	762
		in	30.0
	Static Tipping Load - Straight (Forks Level)	kq	15314
		lbs	33752
	Static Tipping Load - Articulated (Forks Level)	kq	13619
		lbs	30017
	Rated Load (SAE J1197 - 50% FTSTL)	kq	6810
		lbs	15008
	Rated Load (CEN EN 474-3 Rough Terrain - 60% FTSTL)	kq	8172
		lbs	18010
	Rated Load (CEN EN 474-3 Firm and Level Ground - 80% FTSTL)	kq	8989
		lbs	19811
3	Maximum Overall Length	mm	10344
		in	407.2
4	Reach with Forks at Ground Level	mm	1407
		in	55.4
5	*Ground to Bottom of Tine at Minimum Height and Fork Level	mm	-149
		in	-5.9
6	Reach with Arms Horizontal and Forks Level	mm	1982
		in	78.0
7	Reach with Fork at Maximum Height	mm	898
		in	35.4
8	Ground to Top of Tine with Arms Horizontal and Fork Level	mm	2023
		in	79.6
9	Ground to Top of Tine at Maximum Height and Fork Level	mm	4512
		in	177.7
10	Overall Height of Fork at Full Lift (top of carriage to ground)	mm	5287
		in	208.2
11	Clearance at Full Lift and Max Dump	mm	3066
		in	120.7
12	Max Discharge Angle from Horizontal	deg	47
13	Overall Carriage Width	mm	2217
		in	87.3
14	Overall Carriage Height	mm	840
		in	33.1
15	Outside Tine Width (max spread)	mm	2070
		in	81.5
16	Outside Tine Width (min spread)	mm	470
		in	18.5
	Tine Width (single tine)	mm	150.0
		in	5.9
	Tine Thickness	mm	65.0
		in	2.6
	Tine Capacity	kq	6300
		lbs	13885
	Operating Weight	kq	29171
		lbs	64293

\*Negative values indicate below grade

### 980 HL Pallet Fork, FUSION 87" Carriage 60" Tine

530-1861 548-3265



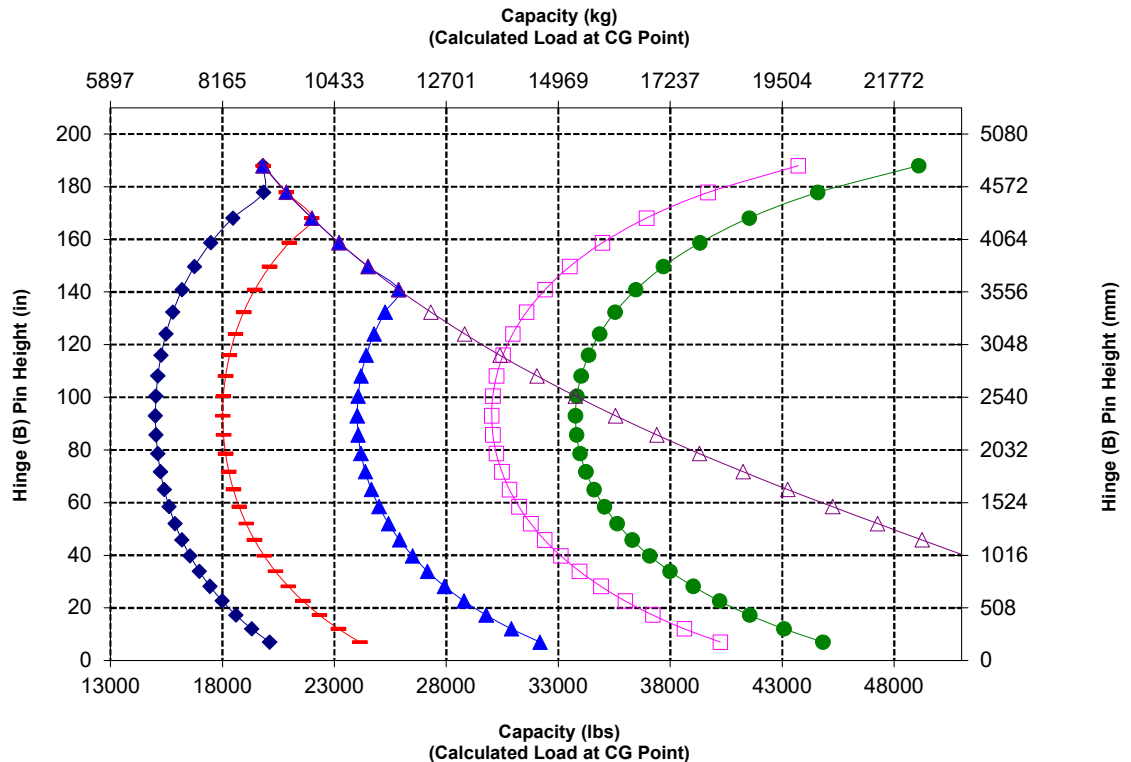
- ◆ Payload (SAE J1197)
- Payload (CEN EN 474-3 - Rough Terrain)
- ▲ Payload (CEN EN 474-3 - Firm & Level)
- Static Tipping Load - Articulated
- Static Tipping Load - Straight
- ▲ Hydraulic TR Capacity
- Hydraulic LR Capacity

**NOTE:** Static tipping loads and operating weight are based on the following loader configuration: Bridgestone \* VSNT L4 Tires, Air Conditioning, Ride Control, Powertrain Guard, Full Fluids, Fuel Tank, Coolant, Lubricants, and Operator.

Specifications and ratings conform to the following standards: SAE\* J1197, ISO 14397-1, CEN\*\* EN 474-3.

The rated operating load for a loader equipped with a pallet fork is determined by:  
 SAE J1197: 50% of full turn static tipping load or hydraulic limit.  
 CEN EN 474-3: 60% of full turn static tipping load on rough terrain or hydraulic limit.  
 CEN EN 474-3: 80% of full turn static tipping load on firm and level ground or hydraulic limit.

\*SAE - Society of Automotive Engineers  
 \*\*CEN - European Committee for Standardization



# 980 Wheel Loader Specifications

## Fork Specifications

### Fork Specifications

1	Tine Length	mm	1830
		in	72.0
2	Load Center	mm	915
		in	36.0
	Static Tipping Load - Straight (Forks Level)	kq	14666
		lbs	32325
	Static Tipping Load - Articulated (Forks Level)	kq	13039
		lbs	28737
	Rated Load (SAE J1197 - 50% FTSTL)	kq	6519
		lbs	14369
	Rated Load (CEN EN 474-3 Rough Terrain - 60% FTSTL)	kq	7823
		lbs	17242
	Rated Load (CEN EN 474-3 Firm and Level Ground - 80% FTSTL)	kq	7970
		lbs	17566
3	Maximum Overall Length	mm	10650
		in	419.3
4	Reach with Forks at Ground Level	mm	1407
		in	55.4
5	*Ground to Bottom of Tine at Minimum Height and Fork Level	mm	-149
		in	-5.9
6	Reach with Arms Horizontal and Forks Level	mm	1982
		in	78.0
7	Reach with Fork at Maximum Height	mm	898
		in	35.4
8	Ground to Top of Tine with Arms Horizontal and Fork Level	mm	2023
		in	79.6
9	Ground to Top of Tine at Maximum Height and Fork Level	mm	4512
		in	177.7
10	Overall Height of Fork at Full Lift (top of carriage to ground)	mm	5287
		in	208.2
11	Clearance at Full Lift and Max Dump	mm	2842
		in	111.9
12	Max Discharge Angle from Horizontal	deg	47
13	Overall Carriage Width	mm	2217
		in	87.3
14	Overall Carriage Height	mm	840
		in	33.1
15	Outside Tine Width (max spread)	mm	2070
		in	81.5
16	Outside Tine Width (min spread)	mm	470
		in	18.5
	Tine Width (single tine)	mm	150.0
		in	5.9
	Tine Thickness	mm	65.0
		in	2.6
	Tine Capacity	kq	5246
		lbs	11562
	Operating Weight	kq	29218
		lbs	64396

\*Negative values indicate below grade

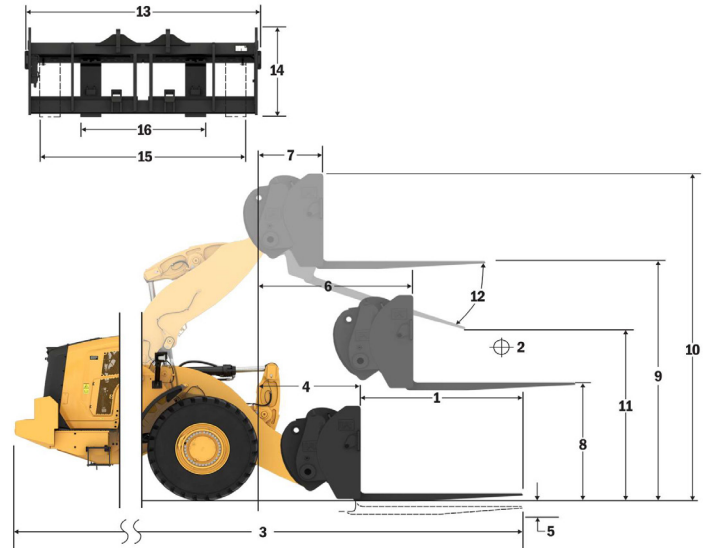
### 980 HL Pallet Fork, FUSION

87" Carriage

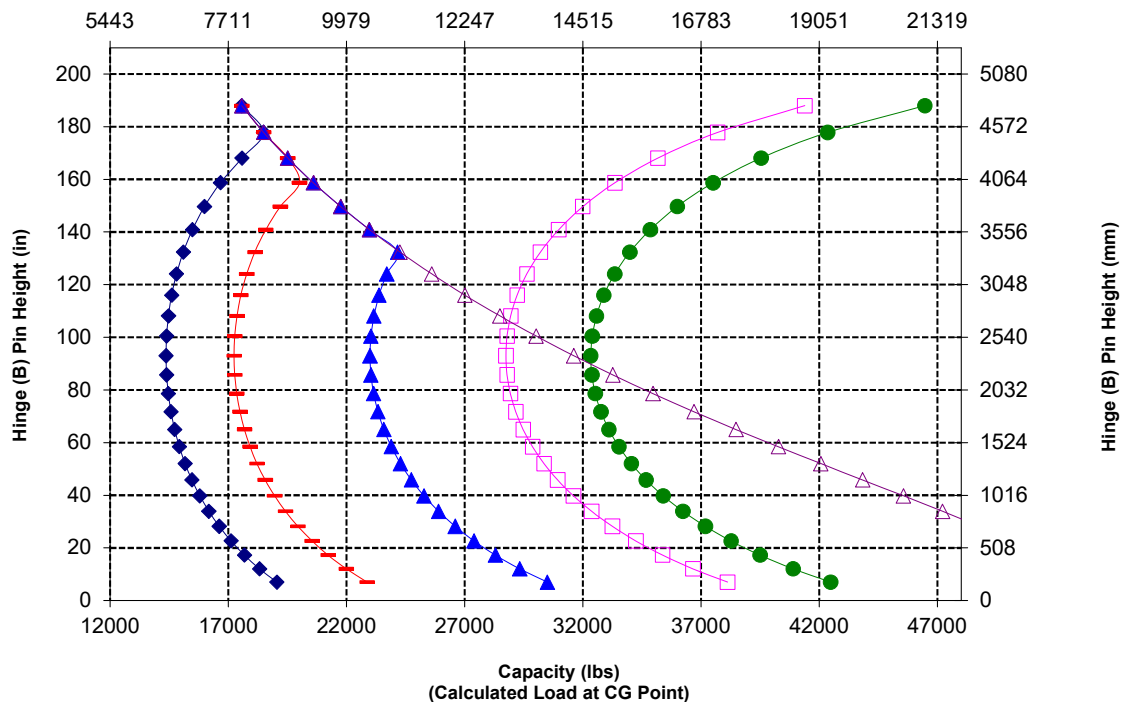
72" Tine

530-1861

530-1869



### Capacity (kg) (Calculated Load at CG Point)





# 980 Wheel Loader Specifications

## Fork Specifications

### Fork Specifications

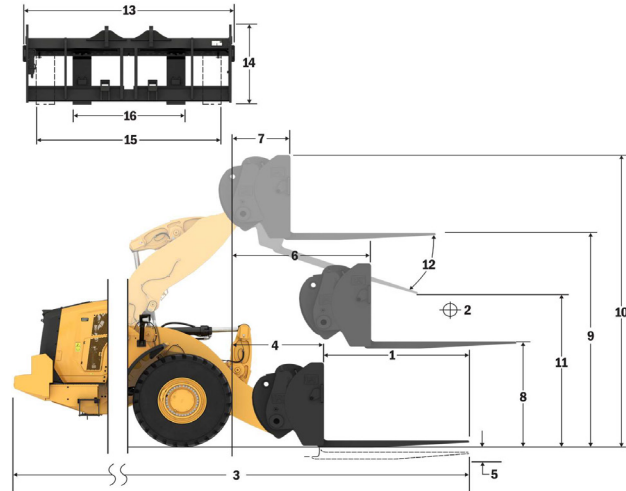
1	Tine Length	mm	1219
		in	48.0
2	Load Center	mm	610
		in	24.0
	Static Tipping Load - Straight (Forks Level)	kg	15737
		lbs	34684
	Static Tipping Load - Articulated (Forks Level)	kg	13963
		lbs	30775
	Rated Load (SAE J1197 - 50% FTSTL)	kg	6982
		lbs	15388
	Rated Load (CEN EN 474-3 Rough Terrain - 60% FTSTL)	kg	8378
		lbs	18465
	Rated Load (CEN EN 474-3 Firm and Level Ground - 80% FTSTL)	kg	10837
		lbs	23884
3	Maximum Overall Length	mm	9983
		in	393.0
4	Reach with Forks at Ground Level	mm	1351
		in	53.2
5	*Ground to Bottom of Tine at Minimum Height and Fork Level	mm	-62
		in	-2.4
6	Reach with Arms Horizontal and Forks Level	mm	1970
		in	77.5
7	Reach with Fork at Maximum Height	mm	885
		in	34.9
8	Ground to Top of Tine with Arms Horizontal and Fork Level	mm	2135
		in	84.1
9	Ground to Top of Tine at Maximum Height and Fork Level	mm	4625
		in	182.1
10	Overall Height of Fork at Full Lift (top of carriage to ground)	mm	5665
		in	223.0
11	Clearance at Full Lift and Max Dump	mm	3256
		in	128.2
12	Max Discharge Angle from Horizontal	deg	53
13	Overall Carriage Width	mm	2833
		in	111.5
14	Overall Carriage Height	mm	1130
		in	44.5
15	Outside Tine Width (max spread)	mm	2493
		in	98.1
16	Outside Tine Width (min spread)	mm	590
		in	23.2
	Tine Width (single tine)	mm	180.0
		in	7.1
	Tine Thickness	mm	90.0
		in	3.5
	Tine Capacity	kg	22200
		lbs	48929
	Operating Weight	kg	29533
		lbs	65091

\*Negative values indicate below grade

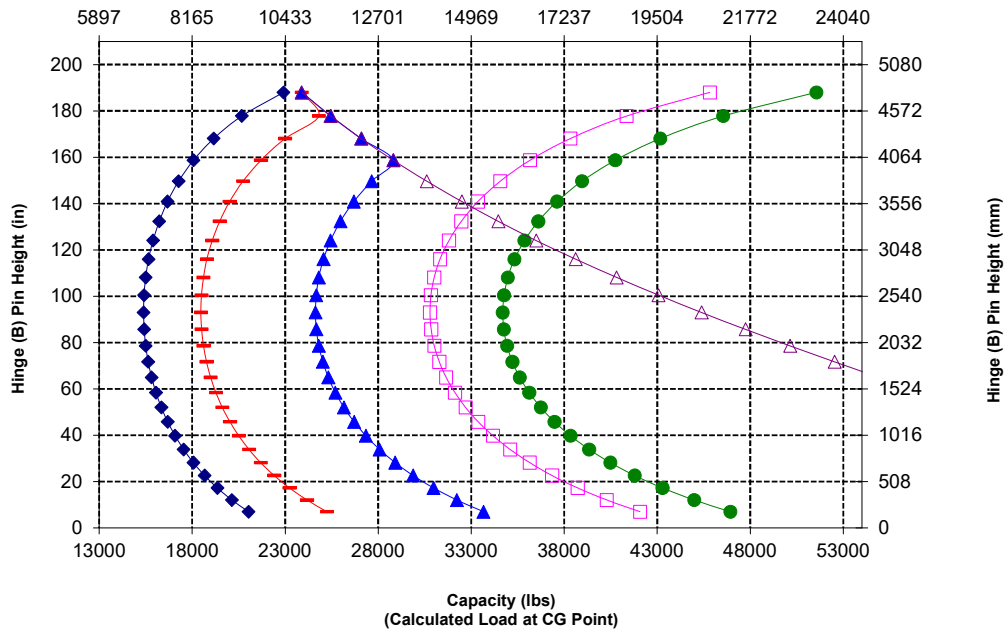
### 980 HL Construction Fork, FUSION

108" Carriage 48" Tine  
520-7968 520-7985

\*Build 14A  
\*Parallel Z-Bar Linkage  
\*High Lift Configuration



Capacity (kg)  
(Calculated Load at CG Point)



**NOTE:** Static tipping loads and operating weight are based on the following loader configuration: Bridgestone® VSNT L4 Tires, Air Conditioning, Ride Control, Powertrain Guard, Full Fluids, Fuel Tank, Coolant, Lubricants, and Operator.

Specifications and ratings conform to the following standards: SAE® J1197, ISO 14397-1, CEN\*\* EN 474-3.

The rated operating load for a loader equipped with a pallet fork is determined by:  
SAE J1197: 50% of full turn static tipping load or hydraulic limit.  
CEN EN 474-3: 60% of full turn static tipping load on rough terrain or hydraulic limit.  
CEN EN 474-3: 80% of full turn static tipping load on firm and level ground or hydraulic limit.

\*SAE - Society of Automotive Engineers  
\*\*CEN - European Committee for Standardization



**WARNING:** Do not exceed tine load capacity. Individual tine capacity is stamped on the side of each tine.

# 980 Wheel Loader Specifications

## Fork Specifications

### Fork Specifications

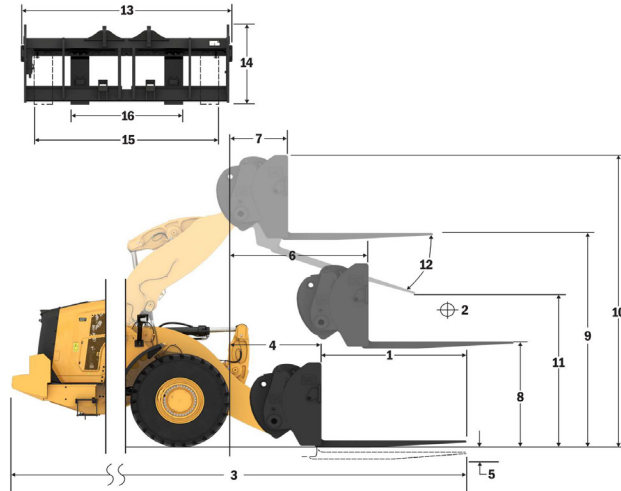
1	Tine Length	mm	1524
		in	60.0
2	Load Center	mm	762
		in	30.0
	Static Tipping Load - Straight (Forks Level)	kg	15033
		lbs	33133
	Static Tipping Load - Articulated (Forks Level)	kg	13332
		lbs	29384
	Rated Load (SAE J1197 - 50% FTSTL)	kg	6666
		lbs	14692
	Rated Load (CEN EN 474-3 Rough Terrain - 60% FTSTL)	kg	7999
		lbs	17630
	Rated Load (CEN EN 474-3 Firm and Level Ground - 80% FTSTL)	kg	9455
		lbs	20840
3	Maximum Overall Length	mm	10288
		in	405.0
4	Reach with Forks at Ground Level	mm	1351
		in	53.2
5	*Ground to Bottom of Tine at Minimum Height and Fork Level	mm	-62
		in	-2.4
6	Reach with Arms Horizontal and Forks Level	mm	1970
		in	77.5
7	Reach with Fork at Maximum Height	mm	886
		in	34.9
8	Ground to Top of Tine with Arms Horizontal and Fork Level	mm	2135
		in	84.1
9	Ground to Top of Tine at Maximum Height and Fork Level	mm	4625
		in	182.1
10	Overall Height of Fork at Full Lift (top of carriage to ground)	mm	5665
		in	223.0
11	Clearance at Full Lift and Max Dump	mm	3012
		in	118.6
12	Max Discharge Angle from Horizontal	deg	53
13	Overall Carriage Width	mm	2833
		in	111.5
14	Overall Carriage Height	mm	1130
		in	44.5
15	Outside Tine Width (max spread)	mm	2483
		in	97.8
16	Outside Tine Width (min spread)	mm	590
		in	23.2
	Tine Width (single tine)	mm	180.0
		in	7.1
	Tine Thickness	mm	90.0
		in	3.5
	Tine Capacity	kg	17800
		lbs	39231
	Operating Weight	kg	29595
		lbs	65227

\*Negative values indicate below grade

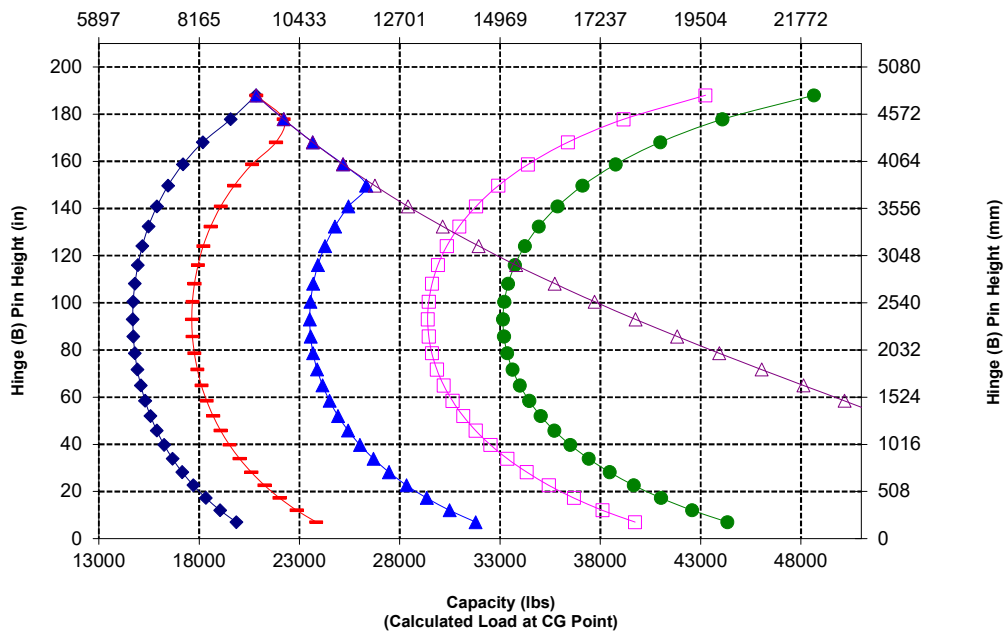
### 980 HL Construction Fork, FUSION

108" Carriage 60" Tine  
520-7968 520-7980

\*Build 14A  
\*Parallel Z-Bar Linkage  
\*High Lift Configuration



Capacity (kg)  
(Calculated Load at CG Point)



**WARNING:** Do not exceed tine load capacity. Individual tine capacity is stamped on the side of each tine.



# 980 Wheel Loader Specifications

## Fork Specifications

### Fork Specifications

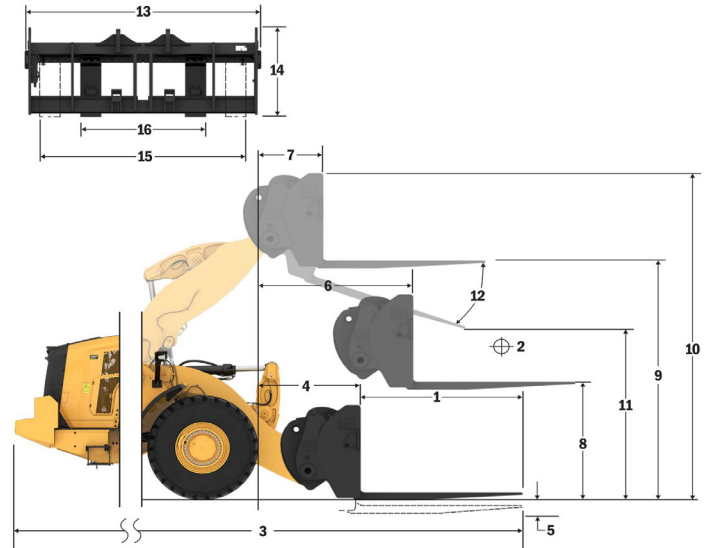
1	Tine Length	mm	1829
		in	72.0
2	Load Center	mm	915
		in	36.0
	Static Tipping Load - Straight (Forks Level)	kq	14378
		lbs	31689
	Static Tipping Load - Articulated (Forks Level)	kq	12744
		lbs	28088
	Rated Load (SAE J1197 - 50% FTSTL)	kq	6372
		lbs	14044
	Rated Load (CEN EN 474-3 Rough Terrain - 60% FTSTL)	kq	7646
		lbs	16853
	Rated Load (CEN EN 474-3 Firm and Level Ground - 80% FTSTL)	kq	8359
		lbs	18422
3	Maximum Overall Length	mm	10593
		in	417.1
4	Reach with Forks at Ground Level	mm	1351
		in	53.2
5	*Ground to Bottom of Tine at Minimum Height and Fork Level	mm	-62
		in	-2.4
6	Reach with Arms Horizontal and Forks Level	mm	1970
		in	77.5
7	Reach with Fork at Maximum Height	mm	886
		in	34.9
8	Ground to Top of Tine with Arms Horizontal and Fork Level	mm	2135
		in	84.1
9	Ground to Top of Tine at Maximum Height and Fork Level	mm	4625
		in	182.1
10	Overall Height of Fork at Full Lift (top of carriage to ground)	mm	5665
		in	223.0
11	Clearance at Full Lift and Max Dump	mm	2768
		in	109.0
12	Max Discharge Angle from Horizontal	deg	53
13	Overall Carriage Width	mm	2833
		in	111.5
14	Overall Carriage Height	mm	1130
		in	44.5
15	Outside Tine Width (max spread)	mm	2483
		in	97.8
16	Outside Tine Width (min spread)	mm	590
		in	23.2
	Tine Width (single tine)	mm	180.0
		in	7.1
	Tine Thickness	mm	90.0
		in	3.5
	Tine Capacity	kq	14800
		lbs	32619
	Operating Weight	kq	29657
		lbs	65364

\*Negative values indicate below grade

### 980 HL Construction Fork, FUSION

108" Carriage 72" Tine  
520-7968 520-7979

\*Build 14A  
\*Parallel Z-Bar Linkage  
\*High Lift Configuration



- ◆ Payload (SAE J1197)
- Payload (CEN EN 474-3 - Rough Terrain)
- ▲ Payload (CEN EN 474-3 - Firm & Level)
- ◻ Static Tipping Load - Articulated
- Static Tipping Load - Straight
- ▲ Hydraulic TR Capacity
- Hydraulic LR Capacity

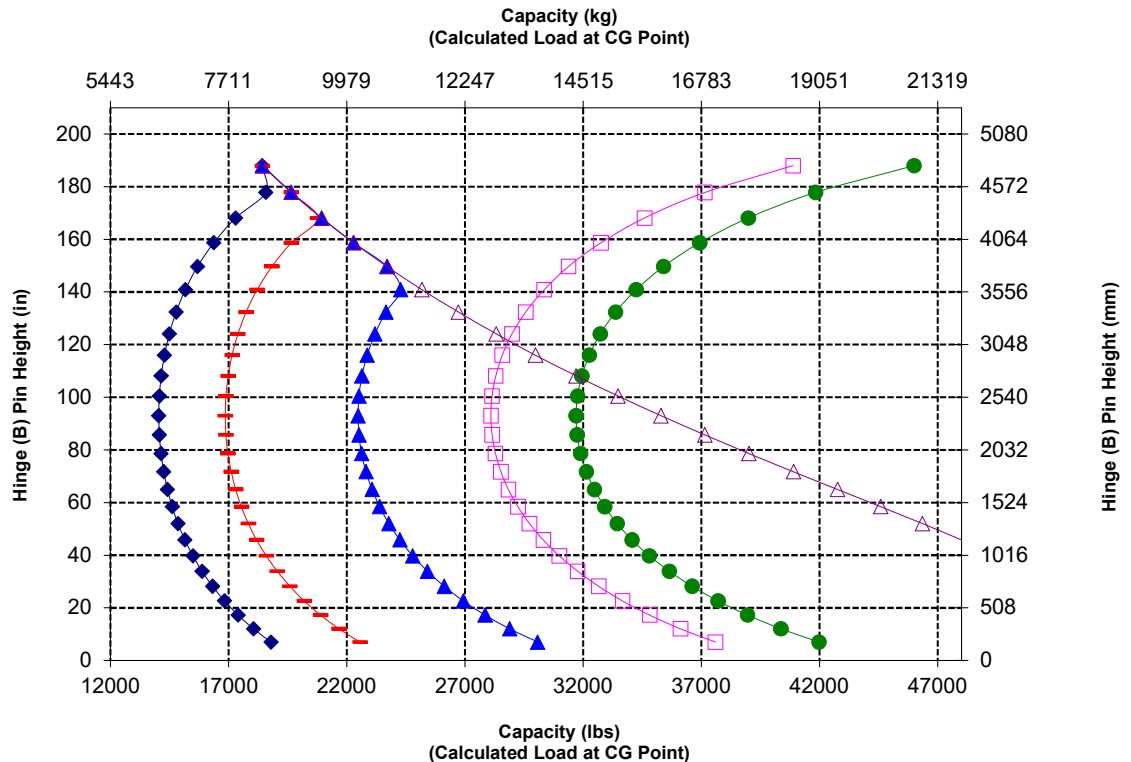
**NOTE:** Static tipping loads and operating weight are based on the following loader configuration: Bridgestone \* VSNT L4 Tires, Air Conditioning, Ride Control, Powertrain Guard, Full Fluids, Fuel Tank, Coolant, Lubricants, and Operator.

Specifications and ratings conform to the following standards: SAE\* J1197, ISO 14397-1, CEN\*\* EN 474-3.

The rated operating load for a loader equipped with a pallet fork is determined by:  
SAE J1197: 50% of full turn static tipping load or hydraulic limit.  
CEN EN 474-3: 60% of full turn static tipping load on rough terrain or hydraulic limit.  
CEN EN 474-3: 80% of full turn static tipping load on firm and level ground or hydraulic limit.

\*SAE - Society of Automotive Engineers

\*\*CEN - European Committee for Standardization



# 980 Wheel Loader Specifications

## Fork Specifications

### Fork Specifications

1	Tine Length	mm	2134
		in	84.0
2	Load Center	mm	1067
		in	42.0
	Static Tipping Load - Straight (Forks Level)	kq	13768
		lbs	30345
	Static Tipping Load - Articulated (Forks Level)	kq	12196
		lbs	26880
	Rated Load (SAE J1197 - 50% FTSTL)	kq	6098
		lbs	13440
	Rated Load (CEN EN 474-3 Rough Terrain - 60% FTSTL)	kq	7318
		lbs	16128
	Rated Load (CEN EN 474-3 Firm and Level Ground - 80% FTSTL)	kq	7467
		lbs	16457
3	Maximum Overall Length	mm	10898
		in	429.1
4	Reach with Forks at Ground Level	mm	1351
		in	53.2
5	*Ground to Bottom of Tine at Minimum Height and Fork Level	mm	-62
		in	-2.4
6	Reach with Arms Horizontal and Forks Level	mm	1970
		in	77.5
7	Reach with Fork at Maximum Height	mm	886
		in	34.9
8	Ground to Top of Tine with Arms Horizontal and Fork Level	mm	2135
		in	84.1
9	Ground to Top of Tine at Maximum Height and Fork Level	mm	4625
		in	182.1
10	Overall Height of Fork at Full Lift (top of carriage to ground)	mm	5665
		in	223.0
11	Clearance at Full Lift and Max Dump	mm	2524
		in	99.4
12	Max Discharge Angle from Horizontal	deg	53
13	Overall Carriage Width	mm	2833
		in	111.5
14	Overall Carriage Height	mm	1130
		in	44.5
15	Outside Tine Width (max spread)	mm	2483
		in	97.8
16	Outside Tine Width (min spread)	mm	590
		in	23.2
	Tine Width (single tine)	mm	180.0
		in	7.1
	Tine Thickness	mm	90.0
		in	3.5
	Tine Capacity	kq	12700
		lbs	27991
	Operating Weight	kq	29719
		lbs	65501

\*Negative values indicate below grade

### 980 HL

Construction Fork, FUSION

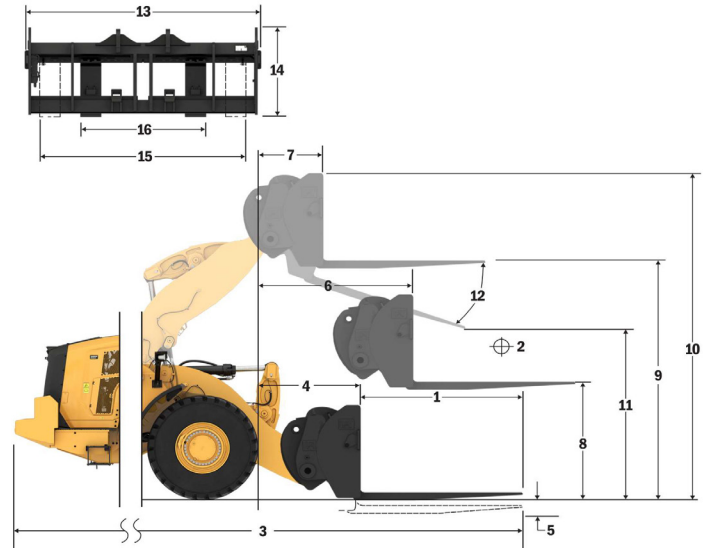
108" Carriage

520-7968

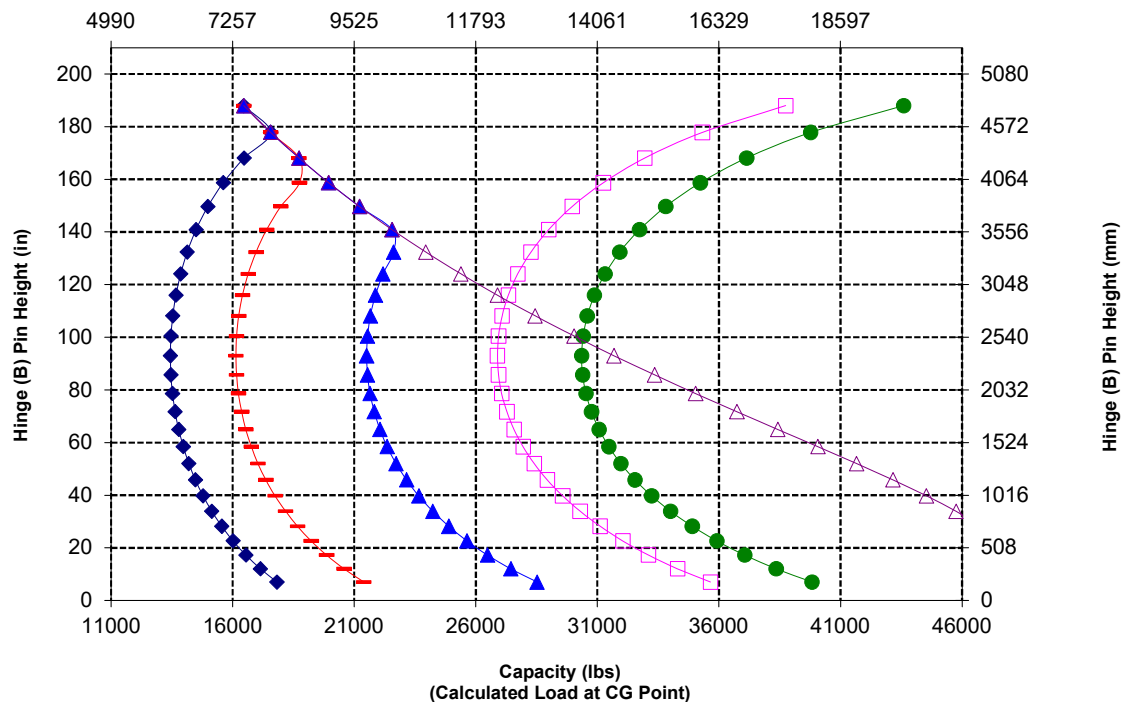
84" Tine

520-7986

\*Build 14A  
\*Parallel Z-Bar Linkage  
\*High Lift Configuration



Capacity (kg)  
(Calculated Load at CG Point)



# 980 Wheel Loader Specifications

## Fork Specifications

### Fork Specifications

1	Tine Length	mm	2438
		in	96.0
2	Load Center	mm	1219
		in	48.0
	Static Tipping Load - Straight (Forks Level)	kq	13199
		lbs	29091
	Static Tipping Load - Articulated (Forks Level)	kq	11685
		lbs	25753
	Rated Load (SAE J1197 - 50% FTSTL)	kq	5842
		lbs	12876
	Rated Load (CEN EN 474-3 Rough Terrain - 60% FTSTL)	kq	6727
		lbs	14826
	Rated Load (CEN EN 474-3 Firm and Level Ground - 80% FTSTL)	kq	6727
		lbs	14826
3	Maximum Overall Length	mm	11202
		in	441.0
4	Reach with Forks at Ground Level	mm	1351
		in	53.2
5	*Ground to Bottom of Tine at Minimum Height and Fork Level	mm	-62
		in	-2.4
6	Reach with Arms Horizontal and Forks Level	mm	1970
		in	77.5
7	Reach with Fork at Maximum Height	mm	886
		in	34.9
8	Ground to Top of Tine with Arms Horizontal and Fork Level	mm	2135
		in	84.1
9	Ground to Top of Tine at Maximum Height and Fork Level	mm	4625
		in	182.1
10	Overall Height of Fork at Full Lift (top of carriage to ground)	mm	5665
		in	223.0
11	Clearance at Full Lift and Max Dump	mm	2280
		in	89.8
12	Max Discharge Angle from Horizontal	deg	53
13	Overall Carriage Width	mm	2833
		in	111.5
14	Overall Carriage Height	mm	1130
		in	44.5
15	Outside Tine Width (max spread)	mm	2483
		in	97.8
16	Outside Tine Width (min spread)	mm	590
		in	23.2
	Tine Width (single tine)	mm	180.0
		in	7.1
	Tine Thickness	mm	90.0
		in	3.5
	Tine Capacity	kq	11300
		lbs	24905
	Operating Weight	kq	29782
		lbs	65640

\*Negative values indicate below grade

### 980 HL Construction Fork, FUSION

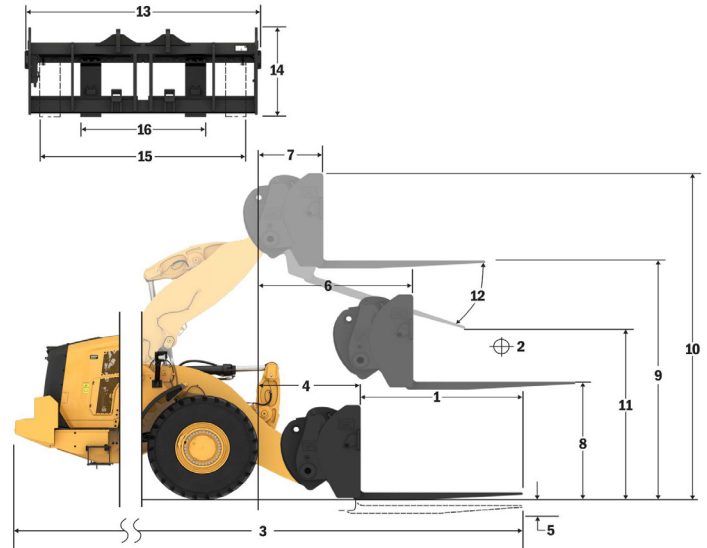
108" Carriage

96" Tine

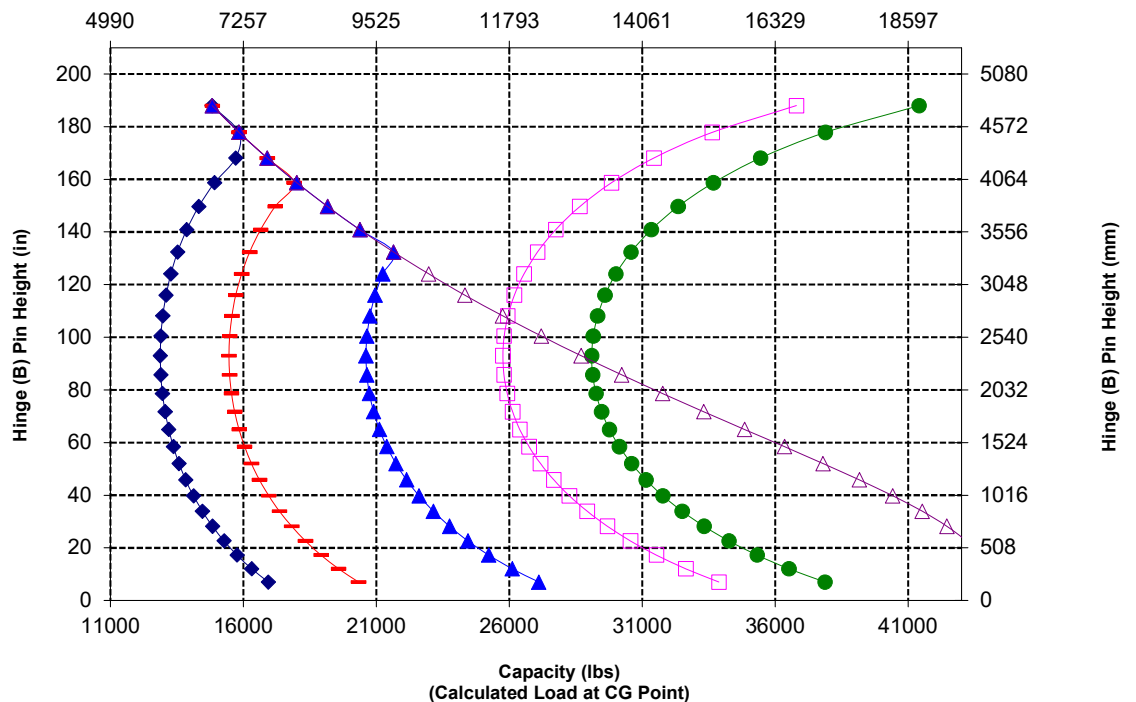
520-7968

520-7981

\*Build 14A  
\*Parallel Z-Bar Linkage  
\*High Lift Configuration



Capacity (kg)  
(Calculated Load at CG Point)



**NOTE:** Static tipping loads and operating weight are based on the following loader configuration: Bridgestone \* VSNT L4 Tires, Air Conditioning, Ride Control, Powertrain Guard, Full Fluids, Fuel Tank, Coolant, Lubricants, and Operator.

Specifications and ratings conform to the following standards: SAE\* J1197, ISO 14397-1, CEN\*\* EN 474-3.

The rated operating load for a loader equipped with a pallet fork is determined by:  
SAE J1197: 50% of full turn static tipping load or hydraulic limit.  
CEN EN 474-3: 60% of full turn static tipping load on rough terrain or hydraulic limit.  
CEN EN 474-3: 80% of full turn static tipping load on firm and level ground or hydraulic limit.

\*SAE - Society of Automotive Engineers

\*\*CEN - European Committee for Standardization

# 980 Wheel Loader Specifications

## Fork Specifications

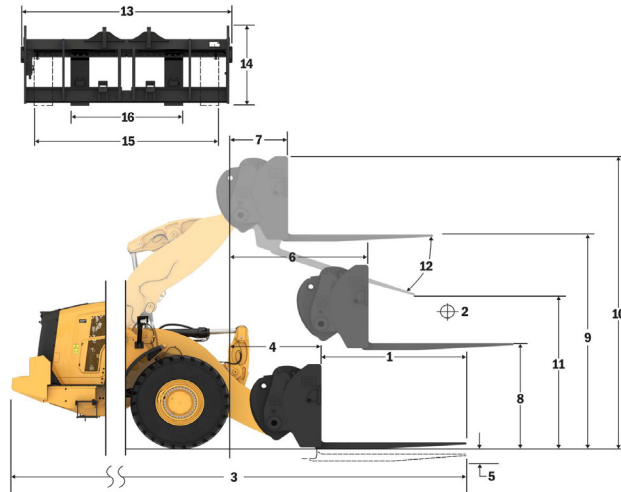
### Fork Specifications

1	Tine Length	mm	1829
		in	72.0
2	Load Center	mm	914
		in	36.0
	Static Tipping Load - Straight (Forks Level)	kg	14048
		lbs	30961
	Static Tipping Load - Articulated (Forks Level)	kg	12414
		lbs	27362
	Rated Load (SAE J1197 - 50% FTSTL)	kg	6207
		lbs	13681
	Rated Load (CEN EN 474-3 Rough Terrain - 60% FTSTL)	kg	7449
		lbs	16417
	Rated Load (CEN EN 474-3 Firm and Level Ground - 80% FTSTL)	kg	8586
		lbs	18924
3	Maximum Overall Length	mm	10612
		in	417.8
4	Reach with Forks at Ground Level	mm	1371
		in	54.0
5	*Ground to Bottom of Tine at Minimum Height and Fork Level	mm	-96
		in	-3.8
6	Reach with Arms Horizontal and Forks Level	mm	1969
		in	77.5
7	Reach with Fork at Maximum Height	mm	885
		in	34.8
8	Ground to Top of Tine with Arms Horizontal and Fork Level	mm	2097
		in	82.5
9	Ground to Top of Tine at Maximum Height and Fork Level	mm	4586
		in	180.5
10	Overall Height of Fork at Full Lift (top of carriage to ground)	mm	5630
		in	221.6
11	Clearance at Full Lift and Max Dump	mm	2674
		in	105.3
12	Max Discharge Angle from Horizontal	deg	57
13	Overall Carriage Width	mm	2821
		in	111.1
14	Overall Carriage Height	mm	1129
		in	44.4
15	Outside Tine Width (max spread)	mm	2627
		in	103.4
16	Outside Tine Width (min spread)	mm	747
		in	29.4
	Tine Width (single tine)	mm	250.0
		in	9.8
	Tine Thickness	mm	85.0
		in	3.3
	Tine Capacity	kg	18700
		lbs	41215
	Operating Weight	kg	30095
		lbs	66329

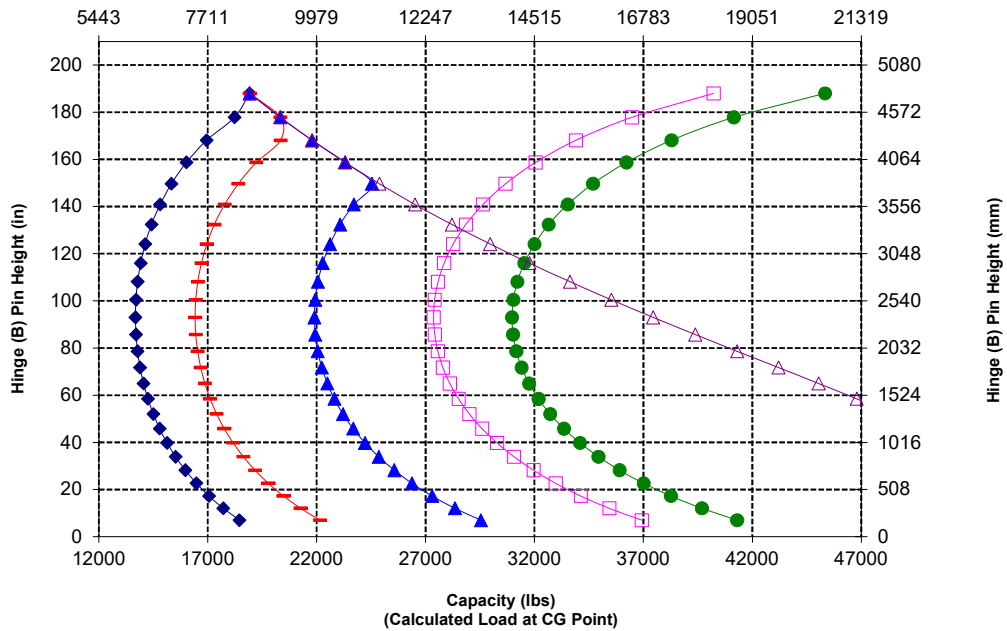
\*Negative values indicate below grade

### 980 HL Construction Fork, HD, FUSION

108" Carriage 72" Tine  
523-4199 523-4200



Capacity (kg)  
(Calculated Load at CG Point)



**WARNING:** Do not exceed tine load capacity. Individual tine capacity is stamped on the side of each tine.

# 980 Wheel Loader Specifications

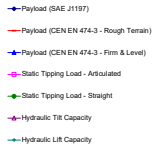
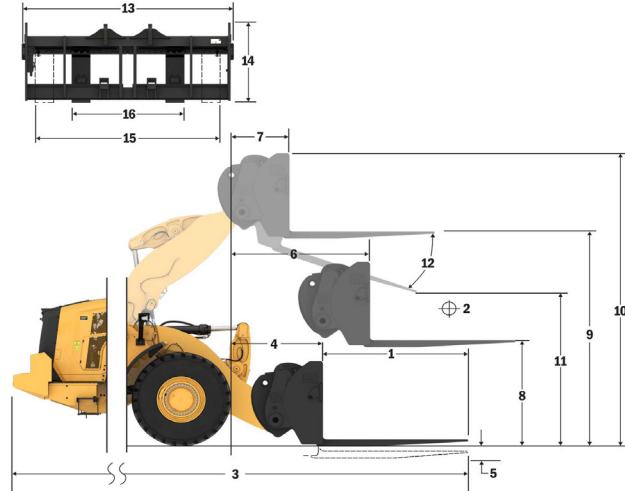
## Fork Specifications

### Fork Specifications

1	Tine Length	mm	2134
		in	84.0
2	Load Center	mm	1067
		in	42.0
	Static Tipping Load - Straight (Forks Level)	kg	13409
		lbs	29553
	Static Tipping Load - Articulated (Forks Level)	kg	11838
		lbs	26090
	Rated Load (SAE J1197 - 50% FTSTL)	kg	5919
		lbs	13045
	Rated Load (CEN EN 474-3 Rough Terrain - 60% FTSTL)	kg	7103
		lbs	15654
	Rated Load (CEN EN 474-3 Firm and Level Ground - 80% FTSTL)	kg	7633
		lbs	16824
3	Maximum Overall Length	mm	10921
		in	429.9
4	Reach with Forks at Ground Level	mm	1374
		in	54.1
5	*Ground to Bottom of Tine at Minimum Height and Fork Level	mm	-96
		in	-3.8
6	Reach with Arms Horizontal and Forks Level	mm	1969
		in	77.5
7	Reach with Fork at Maximum Height	mm	885
		in	34.8
8	Ground to Top of Tine with Arms Horizontal and Fork Level	mm	2102
		in	82.7
9	Ground to Top of Tine at Maximum Height and Fork Level	mm	4591
		in	180.7
10	Overall Height of Fork at Full Lift (top of carriage to ground)	mm	5630
		in	221.6
11	Clearance at Full Lift and Max Dump	mm	2418
		in	95.2
12	Max Discharge Angle from Horizontal	deg	57
13	Overall Carriage Width	mm	2821
		in	111.1
14	Overall Carriage Height	mm	1129
		in	44.4
15	Outside Tine Width (max spread)	mm	2627
		in	103.4
16	Outside Tine Width (min spread)	mm	747
		in	29.4
	Tine Width (single tine)	mm	250.0
		in	9.8
	Tine Thickness	mm	90.0
		in	3.5
	Tine Capacity	kg	17729
		lbs	39075
	Operating Weight	kg	30197
		lbs	66554

\*Negative values indicate below grade

### 980 HL Construction Fork, HD, FUSION 108" Carriage 523-4199 84" Tine 523-4201

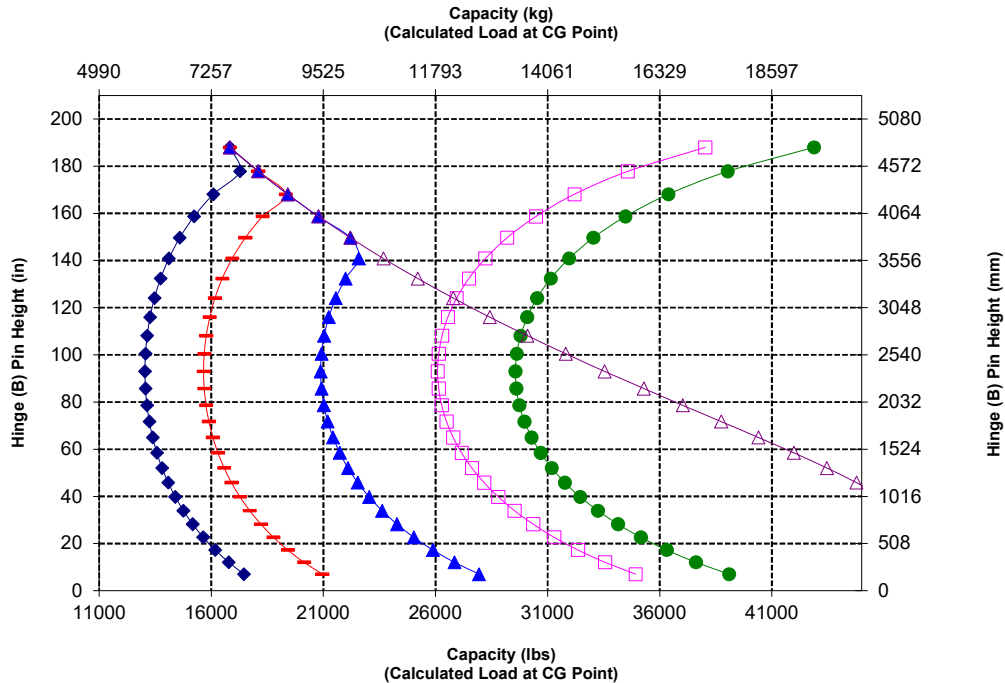


**NOTE:** Static tipping loads and operating weight are based on the following loader configuration: Bridgestone® VSNT L4 Tires, Air Conditioning, Ride Control, Powertrain Guard, Full Fluids, Fuel Tank, Coolant, Lubricants, and Operator.

Specifications and ratings conform to the following standards: SAE® J1197, ISO 14397-1, CEN\*\* EN 474-3.

The rated operating load for a loader equipped with a pallet fork is determined by:  
SAE J1197: 50% of full turn static tipping load or hydraulic limit.  
CEN EN 474-3: 60% of full turn static tipping load on rough terrain or hydraulic limit.  
CEN EN 474-3: 80% of full turn static tipping load on firm and level ground or hydraulic limit.

\*SAE - Society of Automotive Engineers  
\*\*CEN - European Committee for Standardization



**WARNING:** Do not exceed tine load capacity. Individual tine capacity is stamped on the side of each tine.

# 980 Wheel Loader Specifications

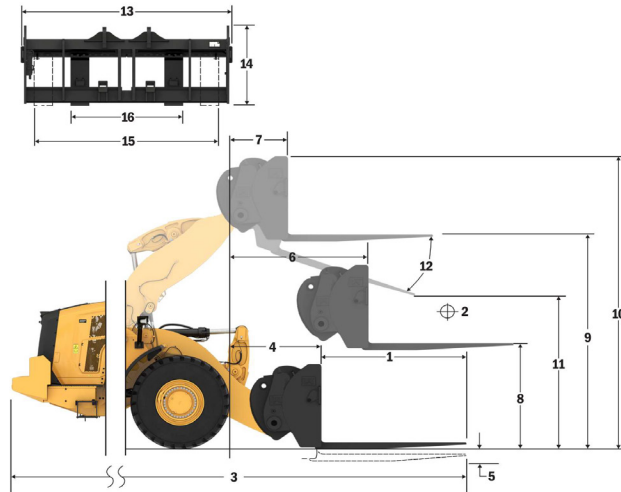
## Fork Specifications

### Fork Specifications

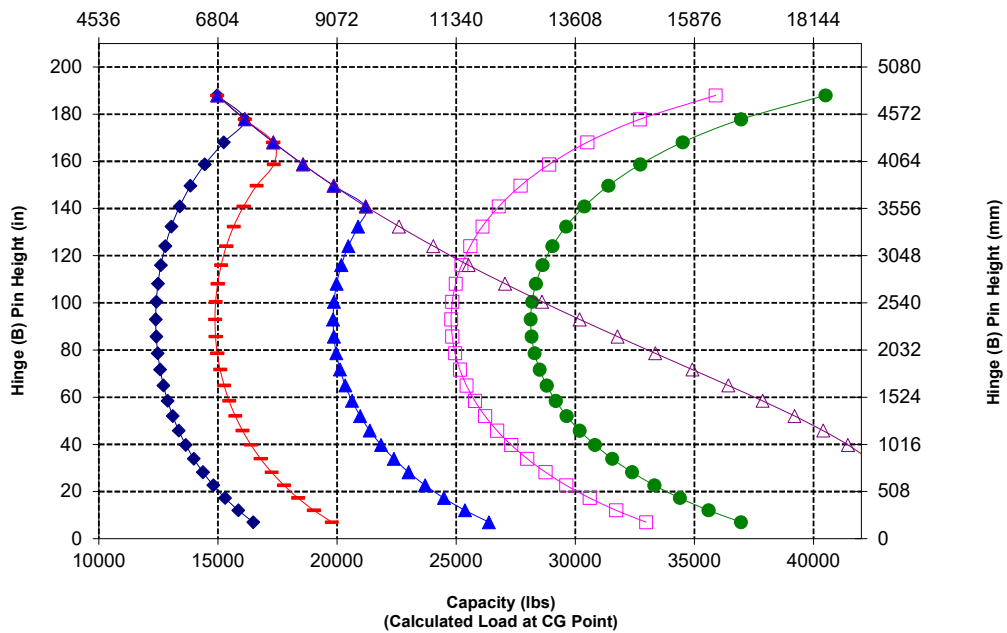
1	Tine Length	mm	2438
		in	96.0
2	Load Center	mm	1219
		in	48.0
	Static Tipping Load - Straight (Forks Level)	kg	12757
		lbs	28117
	Static Tipping Load - Articulated (Forks Level)	kg	11245
		lbs	24783
	Rated Load (SAE J1197 - 50% FTSTL)	kg	5622
		lbs	12392
	Rated Load (CEN EN 474-3 Rough Terrain - 60% FTSTL)	kg	6747
		lbs	14870
	Rated Load (CEN EN 474-3 Firm and Level Ground - 80% FTSTL)	kg	6791
		lbs	14967
3	Maximum Overall Length	mm	11229
		in	442.1
4	Reach with Forks at Ground Level	mm	1378
		in	54.2
5	*Ground to Bottom of Tine at Minimum Height and Fork Level	mm	-94
		in	-3.7
6	Reach with Arms Horizontal and Forks Level	mm	1974
		in	77.7
7	Reach with Fork at Maximum Height	mm	890
		in	35.0
8	Ground to Top of Tine with Arms Horizontal and Fork Level	mm	2103
		in	82.8
9	Ground to Top of Tine at Maximum Height and Fork Level	mm	4593
		in	180.8
10	Overall Height of Fork at Full Lift (top of carriage to ground)	mm	5630
		in	221.6
11	Clearance at Full Lift and Max Dump	mm	2159
		in	85.0
12	Max Discharge Angle from Horizontal	deg	57
13	Overall Carriage Width	mm	2821
		in	111.1
14	Overall Carriage Height	mm	1127
		in	44.4
15	Outside Tine Width (max spread)	mm	2629
		in	103.5
16	Outside Tine Width (min spread)	mm	747
		in	29.4
	Tine Width (single tine)	mm	250.0
		in	9.8
	Tine Thickness	mm	90.0
		in	3.5
	Tine Capacity	kg	15750
		lbs	34713
	Operating Weight	kg	30348
		lbs	66887

\*Negative values indicate below grade

### 980 HL Construction Fork, HD, FUSION 108" Carriage 96" Tine 523-4199 523-4202



Capacity (kg)  
(Calculated Load at CG Point)



**WARNING:** Do not exceed tine load capacity. Individual tine capacity is stamped on the side of each tine.



# 980 Wheel Loader Specifications

## Fork Specifications

### Fork Specifications

1	Tine Length	mm	1524
		in	60.0
2	Load Center	mm	762
		in	30.0
	Static Tipping Load - Straight (Forks Level)	kq	17381
		lbs	38307
	Static Tipping Load - Articulated (Forks Level)	kq	15118
		lbs	33321
	Rated Load (SAE J1197 - 50% FTSTL)	kq	7559
		lbs	16660
	Rated Load (CEN EN 474-3 Rough Terrain - 60% FTSTL)	kq	9071
		lbs	19992
	Rated Load (CEN EN 474-3 Firm and Level Ground - 80% FTSTL)	kq	9398
		lbs	20714
3	Maximum Overall Length	mm	10139
		in	399.2
4	Reach with Forks at Ground Level	mm	1199
		in	47.2
5	*Ground to Bottom of Tine at Minimum Height and Fork Level	mm	-151
		in	-5.9
6	Reach with Arms Horizontal and Forks Level	mm	1809
		in	71.2
7	Reach with Fork at Maximum Height	mm	883
		in	34.7
8	Ground to Top of Tine with Arms Horizontal and Fork Level	mm	2024
		in	79.7
9	Ground to Top of Tine at Maximum Height and Fork Level	mm	4292
		in	169.0
10	Overall Height of Fork at Full Lift (top of carriage to ground)	mm	5067
		in	199.5
11	Clearance at Full Lift and Max Dump	mm	2893
		in	113.9
12	Max Discharge Angle from Horizontal	deg	45
13	Overall Carriage Width	mm	2217
		in	87.3
14	Overall Carriage Height	mm	840
		in	33.1
15	Outside Tine Width (max spread)	mm	2070
		in	81.5
16	Outside Tine Width (min spread)	mm	470
		in	18.5
	Tine Width (single tine)	mm	150.0
		in	5.9
	Tine Thickness	mm	65.0
		in	2.6
	Tine Capacity	kq	6300
		lbs	13885
	Operating Weight	kq	29675
		lbs	65403

\*Negative values indicate below grade

### 980 AGG

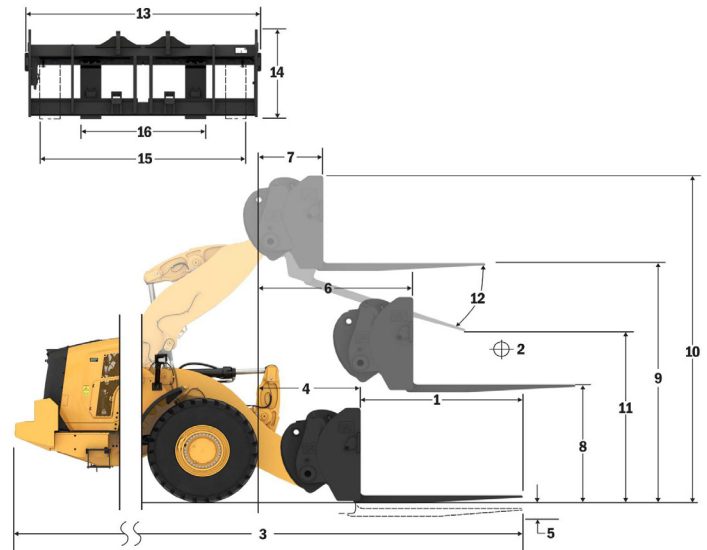
Pallet Fork, FUSION

2x 130 mm HE Tilt Cylinders

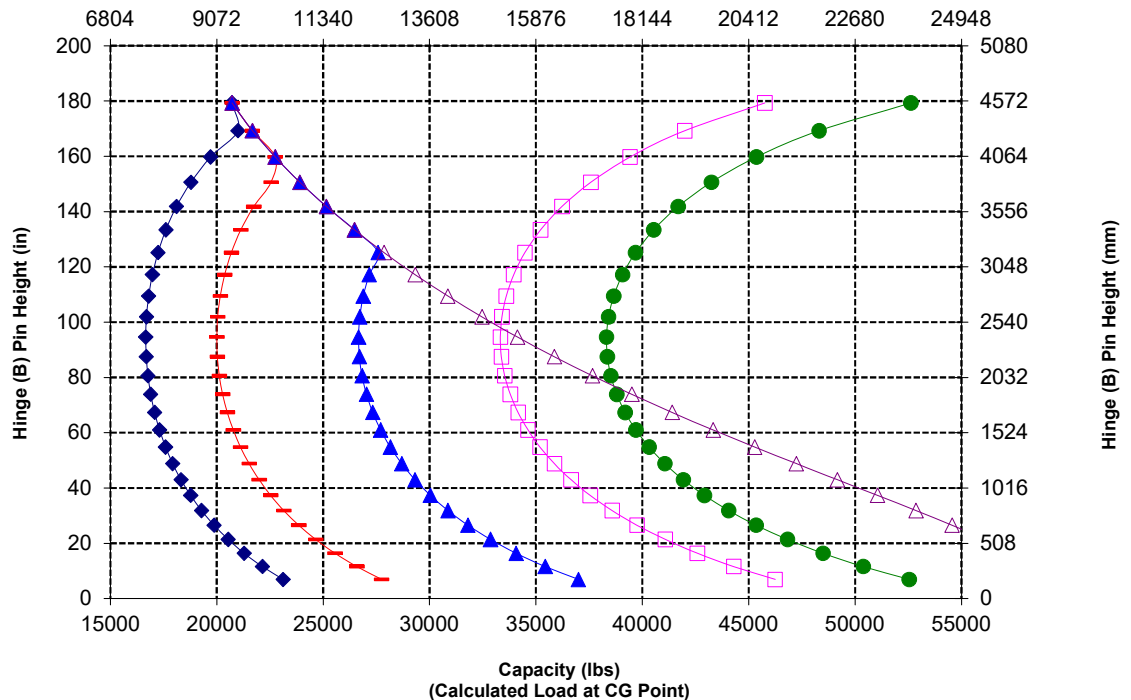
87" Carriage 60" Tine

530-1861

548-3265



Capacity (kg)  
(Calculated Load at CG Point)



**NOTE:** Static tipping loads and operating weight are based on the following loader configuration: Bridgestone \* VSNT L4 Tires, Air Conditioning, Ride Control, Powertrain Guard, Full Fluids, Fuel Tank, Coolant, Lubricants, and Operator.

Specifications and ratings conform to the following standards: SAE\* J1197, ISO 14397-1, CEN\*\* EN 474-3.

The rated operating load for a loader equipped with a pallet fork is determined by:  
SAE J1197: 50% of full turn static tipping load or hydraulic limit.  
CEN EN 474-3: 60% of full turn static tipping load on rough terrain or hydraulic limit.  
CEN EN 474-3: 80% of full turn static tipping load on firm and level ground or hydraulic limit.

\*SAE - Society of Automotive Engineers  
\*\*CEN - European Committee for Standardization



# 980 Wheel Loader Specifications

## Fork Specifications

### Fork Specifications

1	Tine Length	mm	1830
		in	72.0
2	Load Center	mm	915
		in	36.0
	Static Tipping Load - Straight (Forks Level)	kq	16622
		lbs	36635
	Static Tipping Load - Articulated (Forks Level)	kq	14453
		lbs	31855
	Rated Load (SAE J1197 - 50% FTSTL)	kq	7227
		lbs	15928
	Rated Load (CEN EN 474-3 Rough Terrain - 60% FTSTL)	kq	8327
		lbs	18352
	Rated Load (CEN EN 474-3 Firm and Level Ground - 80% FTSTL)	kq	8327
		lbs	18352
3	Maximum Overall Length	mm	10445
		in	411.2
4	Reach with Forks at Ground Level	mm	1199
		in	47.2
5	*Ground to Bottom of Tine at Minimum Height and Fork Level	mm	-151
		in	-5.9
6	Reach with Arms Horizontal and Forks Level	mm	1809
		in	71.2
7	Reach with Fork at Maximum Height	mm	883
		in	34.7
8	Ground to Top of Tine with Arms Horizontal and Fork Level	mm	2024
		in	79.7
9	Ground to Top of Tine at Maximum Height and Fork Level	mm	4292
		in	169.0
10	Overall Height of Fork at Full Lift (top of carriage to ground)	mm	5067
		in	199.5
11	Clearance at Full Lift and Max Dump	mm	2676
		in	105.4
12	Max Discharge Angle from Horizontal	deg	45
13	Overall Carriage Width	mm	2217
		in	87.3
14	Overall Carriage Height	mm	840
		in	33.1
15	Outside Tine Width (max spread)	mm	2070
		in	81.5
16	Outside Tine Width (min spread)	mm	470
		in	18.5
	Tine Width (single tine)	mm	150.0
		in	5.9
	Tine Thickness	mm	65.0
		in	2.6
	Tine Capacity	kq	5246
		lbs	11562
	Operating Weight	kq	29722
		lbs	65507

\*Negative values indicate below grade

### 980 AGG

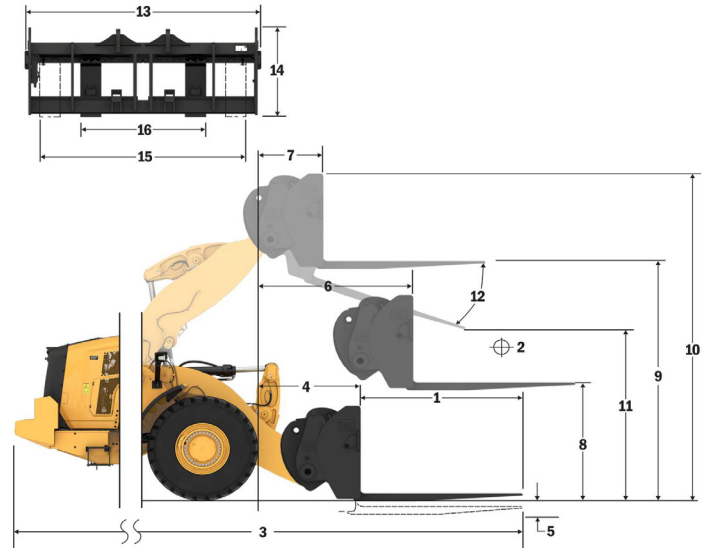
Pallet Fork, FUSION

2x 130 mm HE Tilt Cylinders

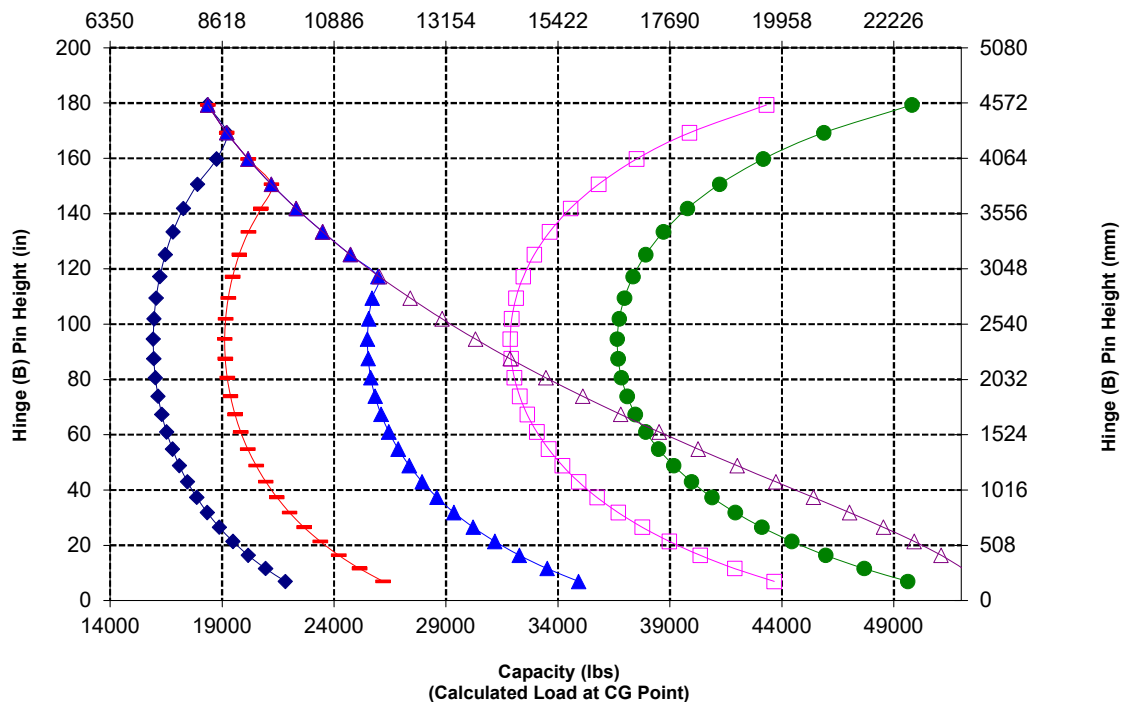
87" Carriage 72" Tine

530-1861

530-1869



Capacity (kg)  
(Calculated Load at CG Point)



**NOTE:** Static tipping loads and operating weight are based on the following loader configuration: Bridgestone \* VSNT L4 Tires, Air Conditioning, Ride Control, Powertrain Guard, Full Fluids, Fuel Tank, Coolant, Lubricants, and Operator.

Specifications and ratings conform to the following standards: SAE\* J1197, ISO 14397-1, CEN\*\* EN 474-3.

The rated operating load for a loader equipped with a pallet fork is determined by:  
SAE J1197: 50% of full turn static tipping load or hydraulic limit.  
CEN EN 474-3: 60% of full turn static tipping load on rough terrain or hydraulic limit.  
CEN EN 474-3: 80% of full turn static tipping load on firm and level ground or hydraulic limit.

\*SAE - Society of Automotive Engineers  
\*\*CEN - European Committee for Standardization

# 980 Wheel Loader Specifications

## Fork Specifications

### Fork Specifications

1	Tine Length	mm	1219
		in	48.0
2	Load Center	mm	610
		in	24.0
	Static Tipping Load - Straight (Forks Level)	kq	17940
		lbs	39541
	Static Tipping Load - Articulated (Forks Level)	kq	15567
		lbs	34311
	Rated Load (SAE J1197 - 50% FTSTL)	kq	7784
		lbs	17155
	Rated Load (CEN EN 474-3 Rough Terrain - 60% FTSTL)	kq	9340
		lbs	20586
	Rated Load (CEN EN 474-3 Firm and Level Ground - 80% FTSTL)	kq	11289
		lbs	24881
3	Maximum Overall Length	mm	9777
		in	384.9
4	Reach with Forks at Ground Level	mm	1141
		in	44.9
5	*Ground to Bottom of Tine at Minimum Height and Fork Level	mm	-65
		in	-2.5
6	Reach with Arms Horizontal and Forks Level	mm	1797
		in	70.7
7	Reach with Fork at Maximum Height	mm	870
		in	34.2
8	Ground to Top of Tine with Arms Horizontal and Fork Level	mm	2135
		in	84.0
9	Ground to Top of Tine at Maximum Height and Fork Level	mm	4403
		in	173.4
10	Overall Height of Fork at Full Lift (top of carriage to ground)	mm	5443
		in	214.3
11	Clearance at Full Lift and Max Dump	mm	3074
		in	121.0
12	Max Discharge Angle from Horizontal	deg	51
13	Overall Carriage Width	mm	2833
		in	111.5
14	Overall Carriage Height	mm	1130
		in	44.5
15	Outside Tine Width (max spread)	mm	2493
		in	98.1
16	Outside Tine Width (min spread)	mm	590
		in	23.2
	Tine Width (single tine)	mm	180.0
		in	7.1
	Tine Thickness	mm	90.0
		in	3.5
	Tine Capacity	kq	22200
		lbs	48929
	Operating Weight	kq	30037
		lbs	66201

\*Negative values indicate below grade

### 980 AGG

Construction Fork, FUSION

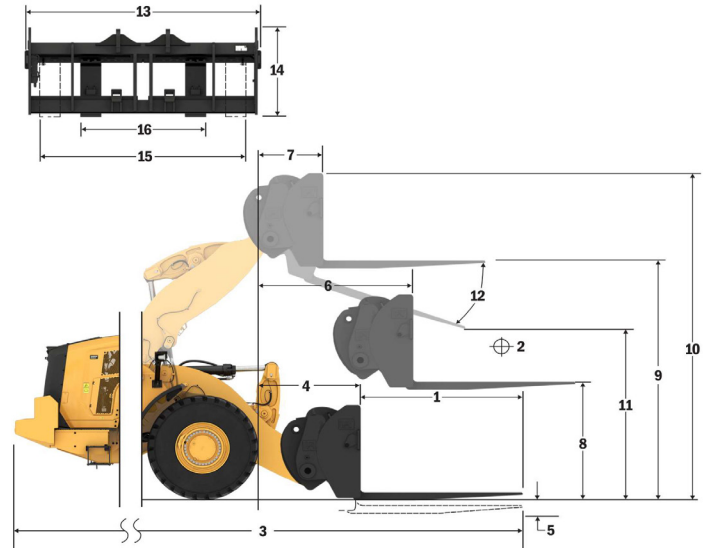
108" Carriage

48" Tine

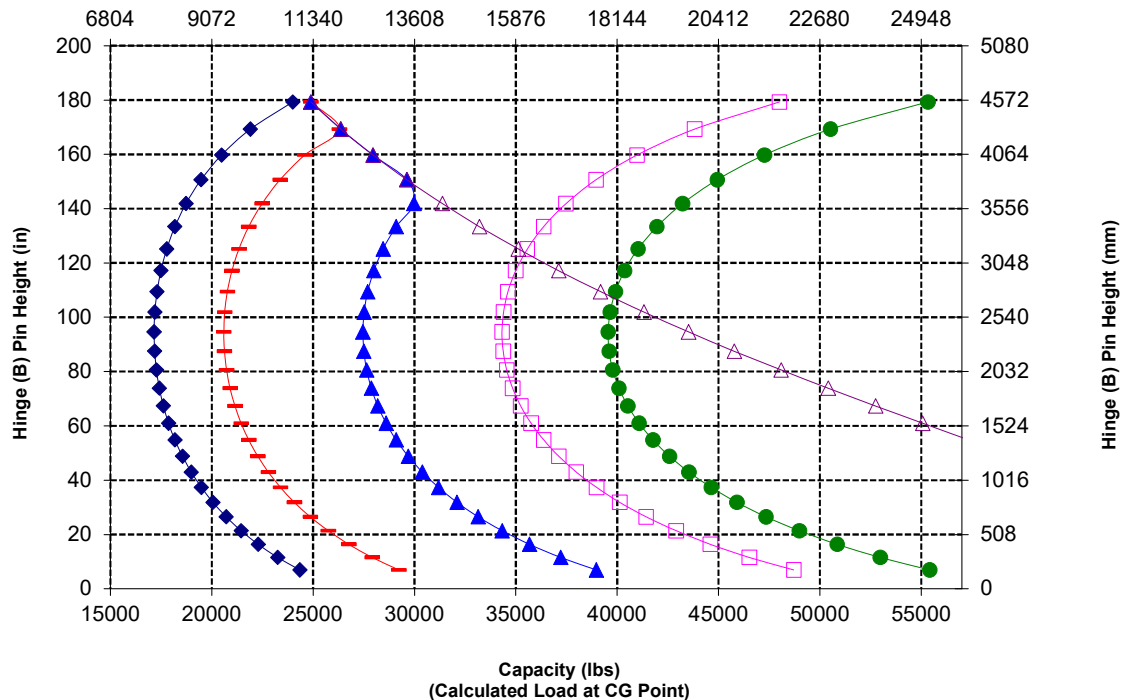
520-7968

520-7985

\*Build 14A  
\*Parallel Z-Bar Linkage  
\*Aggregate Handling Configuration



Capacity (kg)  
(Calculated Load at CG Point)



**NOTE:** Static tipping loads and operating weight are based on the following loader configuration: Bridgestone \* VSNT L4 Tires, Air Conditioning, Ride Control, Powertrain Guard, Full Fluids, Fuel Tank, Coolant, Lubricants, and Operator.

Specifications and ratings conform to the following standards: SAE\* J1197, ISO 14397-1, CEN\*\* EN 474-3.

The rated operating load for a loader equipped with a pallet fork is determined by:  
SAE J1197: 50% of full turn static tipping load or hydraulic limit.  
CEN EN 474-3: 60% of full turn static tipping load on rough terrain or hydraulic limit.  
CEN EN 474-3: 80% of full turn static tipping load on firm and level ground or hydraulic limit.

\*SAE - Society of Automotive Engineers

\*\*CEN - European Committee for Standardization

# 980 Wheel Loader Specifications

## Fork Specifications

### Fork Specifications

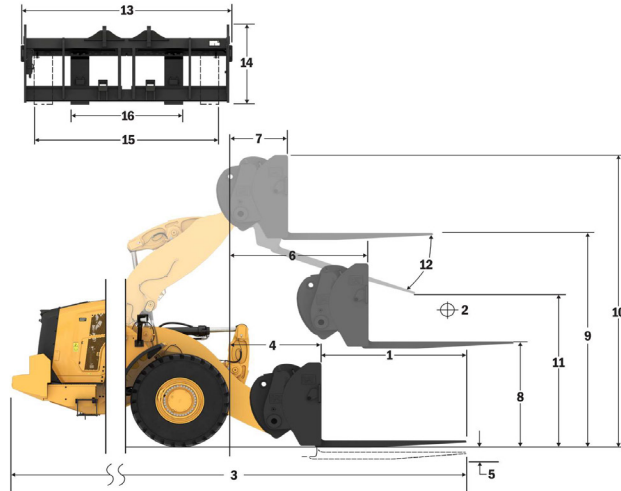
1	Tine Length	mm	1524
		in	60.0
2	Load Center	mm	762
		in	30.0
	Static Tipping Load - Straight (Forks Level)	kg	17114
		lbs	37718
	Static Tipping Load - Articulated (Forks Level)	kg	14842
		lbs	32713
	Rated Load (SAE J1197 - 50% FTSTL)	kg	7421
		lbs	16356
	Rated Load (CEN EN 474-3 Rough Terrain - 60% FTSTL)	kg	8905
		lbs	19628
	Rated Load (CEN EN 474-3 Firm and Level Ground - 80% FTSTL)	kg	9839
		lbs	21685
3	Maximum Overall Length	mm	10082
		in	396.9
4	Reach with Forks at Ground Level	mm	1141
		in	44.9
5	*Ground to Bottom of Tine at Minimum Height and Fork Level	mm	-65
		in	-2.5
6	Reach with Arms Horizontal and Forks Level	mm	1797
		in	70.7
7	Reach with Fork at Maximum Height	mm	870
		in	34.2
8	Ground to Top of Tine with Arms Horizontal and Fork Level	mm	2135
		in	84.0
9	Ground to Top of Tine at Maximum Height and Fork Level	mm	4403
		in	173.4
10	Overall Height of Fork at Full Lift (top of carriage to ground)	mm	5433
		in	214.3
11	Clearance at Full Lift and Max Dump	mm	2835
		in	111.6
12	Max Discharge Angle from Horizontal	deg	51
13	Overall Carriage Width	mm	2833
		in	111.5
14	Overall Carriage Height	mm	1130
		in	44.5
15	Outside Tine Width (max spread)	mm	2483
		in	97.8
16	Outside Tine Width (min spread)	mm	590
		in	23.2
	Tine Width (single tine)	mm	180.0
		in	7.1
	Tine Thickness	mm	90.0
		in	3.5
	Tine Capacity	kg	17800
		lbs	39231
	Operating Weight	kg	30099
		lbs	66338

\*Negative values indicate below grade

## 980 AGG Construction Fork, FUSION

108" Carriage 60" Tine  
520-7968 520-7980

\*Build 14A  
\*Parallel Z-Bar Linkage  
\*Aggregate Handling Configuration

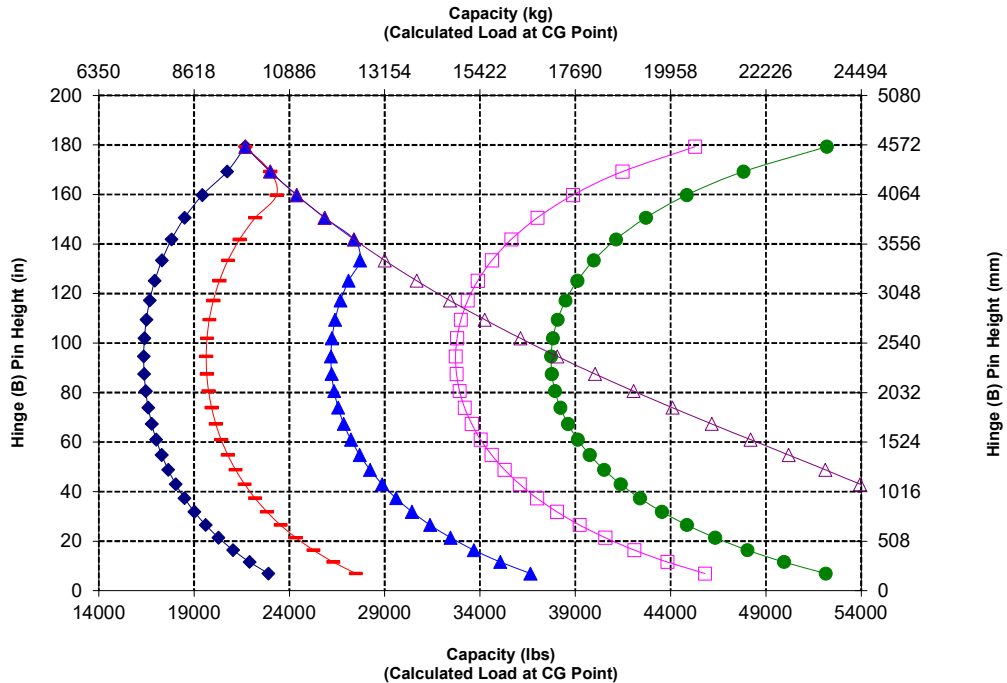


**NOTE:** Static tipping loads and operating weight are based on the following loader configuration: Bridgestone \*VSNT L4 Tires, Air Conditioning, Ride Control, Powertrain Guard, Full Fluids, Fuel Tank, Coolant, Lubricants, and Operator.

Specifications and ratings conform to the following standards: SAE\* J1197, ISO 14397-1, CEN\*\* EN 474-3.

The rated operating load for a loader equipped with a pallet fork is determined by:  
SAE J1197: 50% of full turn static tipping load or hydraulic limit.  
CEN EN 474-3: 60% of full turn static tipping load on rough terrain or hydraulic limit.  
CEN EN 474-3: 80% of full turn static tipping load on firm and level ground or hydraulic limit.

\*SAE - Society of Automotive Engineers  
\*\*CEN - European Committee for Standardization



**WARNING:** Do not exceed tine load capacity. Individual tine capacity is stamped on the side of each tine.

# 980 Wheel Loader Specifications

## Fork Specifications

### Fork Specifications

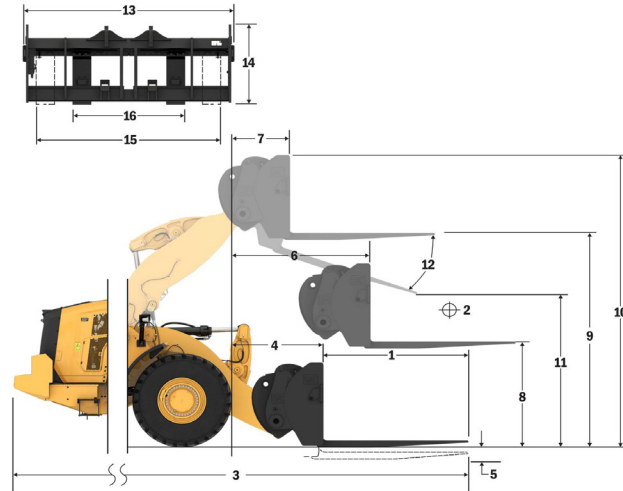
1	Tine Length	mm	1829
		in	72.0
2	Load Center	mm	915
		in	36.0
	Static Tipping Load - Straight (Forks Level)	kg	16347
		lbs	36029
	Static Tipping Load - Articulated (Forks Level)	kg	14170
		lbs	31231
	Rated Load (SAE J1197 - 50% FTSTL)	kg	7085
		lbs	15615
	Rated Load (CEN EN 474-3 Rough Terrain - 60% FTSTL)	kg	8502
		lbs	18738
	Rated Load (CEN EN 474-3 Firm and Level Ground - 80% FTSTL)	kg	8691
		lbs	19155
3	Maximum Overall Length	mm	10387
		in	408.9
4	Reach with Forks at Ground Level	mm	1141
		in	44.9
5	*Ground to Bottom of Tine at Minimum Height and Fork Level	mm	-65
		in	-2.5
6	Reach with Arms Horizontal and Forks Level	mm	1797
		in	70.7
7	Reach with Fork at Maximum Height	mm	870
		in	34.2
8	Ground to Top of Tine with Arms Horizontal and Fork Level	mm	2135
		in	84.0
9	Ground to Top of Tine at Maximum Height and Fork Level	mm	4403
		in	173.4
10	Overall Height of Fork at Full Lift (top of carriage to ground)	mm	5443
		in	214.3
11	Clearance at Full Lift and Max Dump	mm	2597
		in	102.3
12	Max Discharge Angle from Horizontal	deg	51
13	Overall Carriage Width	mm	2833
		in	111.5
14	Overall Carriage Height	mm	1130
		in	44.5
15	Outside Tine Width (max spread)	mm	2483
		in	97.8
16	Outside Tine Width (min spread)	mm	590
		in	23.2
	Tine Width (single tine)	mm	180.0
		in	7.1
	Tine Thickness	mm	90.0
		in	3.5
	Tine Capacity	kg	14800
		lbs	32619
	Operating Weight	kg	30161
		lbs	66474

\*Negative values indicate below grade

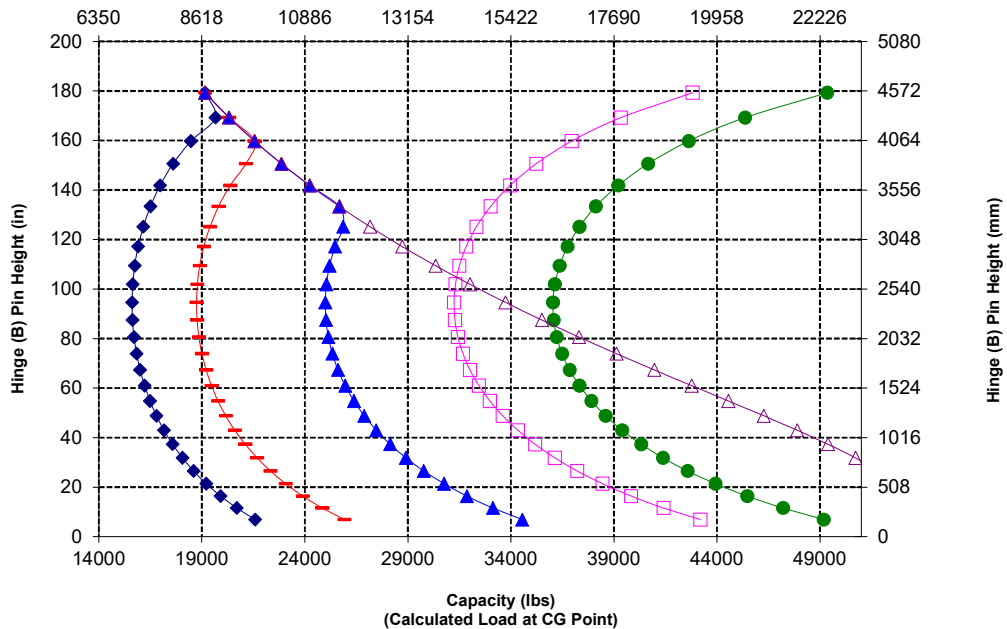
### 980 AGG Construction Fork, FUSION

108" Carriage 72" Tine  
520-7968 520-7979

\*Build 14A  
\*Parallel Z-Bar Linkage  
\*Aggregate Handling Configuration



Capacity (kg)  
(Calculated Load at CG Point)



**NOTE:** Static tipping loads and operating weight are based on the following loader configuration: Bridgestone™ VNSLT L4 Tires, Air Conditioning, Ride Control, Powertrain Guard, Full Fluids, Fuel Tank, Coolant, Lubricants, and Operator.

Specifications and ratings conform to the following standards: SAE® J1197, ISO 14397-1, CEN\*\* EN 474-3.

The rated operating load for a loader equipped with a pallet fork is determined by:  
SAE J1197: 50% of full turn static tipping load or hydraulic limit.  
CEN EN 474-3: 60% of full turn static tipping load on rough terrain or hydraulic limit.  
CEN EN 474-3: 80% of full turn static tipping load on firm and level ground or hydraulic limit.

\*SAE - Society of Automotive Engineers  
\*\*CEN - European Committee for Standardization



**WARNING:** Do not exceed tine load capacity. Individual tine capacity is stamped on the side of each tine.

# 980 Wheel Loader Specifications

## Fork Specifications

### Fork Specifications

1	Tine Length	mm	2134
		in	84.0
2	Load Center	mm	1067
		in	42.0
	Static Tipping Load - Straight (Forks Level)	kq	15637
		lbs	34463
	Static Tipping Load - Articulated (Forks Level)	kq	13546
		lbs	29855
	Rated Load (SAE J1197 - 50% FTSTL)	kq	6773
		lbs	14927
	Rated Load (CEN EN 474-3 Rough Terrain - 60% FTSTL)	kq	7759
		lbs	17102
	Rated Load (CEN EN 474-3 Firm and Level Ground - 80% FTSTL)	kq	7759
		lbs	17102
3	Maximum Overall Length	mm	10692
		in	420.9
4	Reach with Forks at Ground Level	mm	1141
		in	44.9
5	*Ground to Bottom of Tine at Minimum Height and Fork Level	mm	-65
		in	-2.5
6	Reach with Arms Horizontal and Forks Level	mm	1797
		in	70.7
7	Reach with Fork at Maximum Height	mm	870
		in	34.2
8	Ground to Top of Tine with Arms Horizontal and Fork Level	mm	2135
		in	84.0
9	Ground to Top of Tine at Maximum Height and Fork Level	mm	4403
		in	173.4
10	Overall Height of Fork at Full Lift (top of carriage to ground)	mm	5443
		in	214.3
11	Clearance at Full Lift and Max Dump	mm	2359
		in	92.9
12	Max Discharge Angle from Horizontal	deg	51
13	Overall Carriage Width	mm	2833
		in	111.5
14	Overall Carriage Height	mm	1130
		in	44.5
15	Outside Tine Width (max spread)	mm	2483
		in	97.8
16	Outside Tine Width (min spread)	mm	590
		in	23.2
	Tine Width (single tine)	mm	180.0
		in	7.1
	Tine Thickness	mm	90.0
		in	3.5
	Tine Capacity	kq	12700
		lbs	27991
	Operating Weight	kq	30223
		lbs	66611

\*Negative values indicate below grade

### 980 AGG

Construction Fork, FUSION

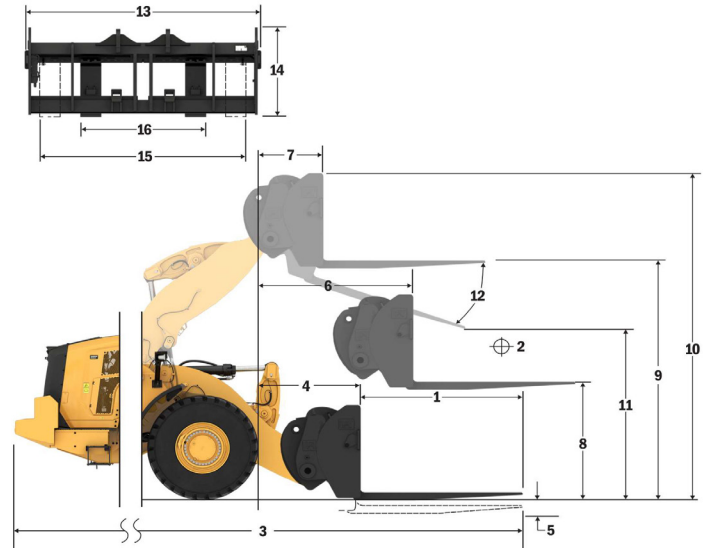
108" Carriage

84" Tine

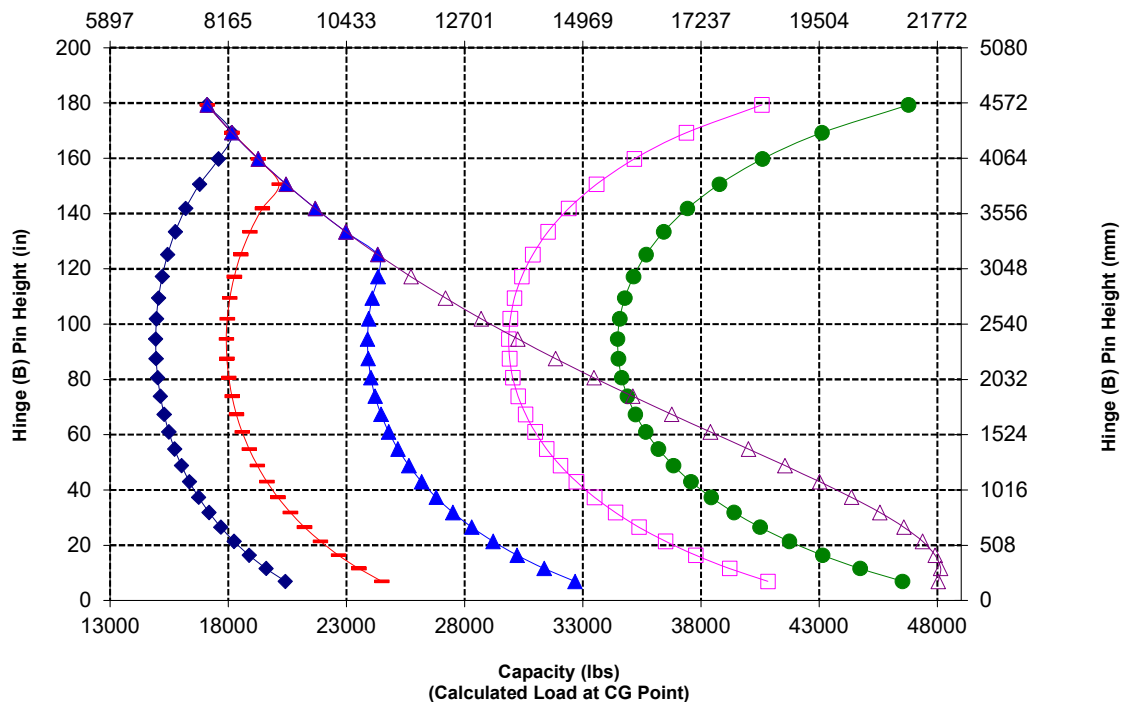
520-7968

520-7986

\*Build 14A  
\*Parallel Z-Bar Linkage  
\*Aggregate Handling Configuration



Capacity (kg)  
(Calculated Load at CG Point)



# 980 Wheel Loader Specifications

## Fork Specifications

### Fork Specifications

1	Tine Length	mm	2438
		in	96.0
2	Load Center	mm	1219
		in	48.0
	Static Tipping Load - Straight (Forks Level)	kq	14976
		lbs	33008
	Static Tipping Load - Articulated (Forks Level)	kq	12965
		lbs	28575
	Rated Load (SAE J1197 - 50% FTSTL)	kq	6483
		lbs	14288
	Rated Load (CEN EN 474-3 Rough Terrain - 60% FTSTL)	kq	6988
		lbs	15401
	Rated Load (CEN EN 474-3 Firm and Level Ground - 80% FTSTL)	kq	6988
		lbs	15401
3	Maximum Overall Length	mm	10996
		in	432.9
4	Reach with Forks at Ground Level	mm	1141
		in	44.9
5	*Ground to Bottom of Tine at Minimum Height and Fork Level	mm	-65
		in	-2.5
6	Reach with Arms Horizontal and Forks Level	mm	1797
		in	70.7
7	Reach with Fork at Maximum Height	mm	870
		in	34.2
8	Ground to Top of Tine with Arms Horizontal and Fork Level	mm	2135
		in	84.0
9	Ground to Top of Tine at Maximum Height and Fork Level	mm	4403
		in	173.4
10	Overall Height of Fork at Full Lift (top of carriage to ground)	mm	5443
		in	214.3
11	Clearance at Full Lift and Max Dump	mm	2122
		in	83.5
12	Max Discharge Angle from Horizontal	deg	51
13	Overall Carriage Width	mm	2833
		in	111.5
14	Overall Carriage Height	mm	1130
		in	44.5
15	Outside Tine Width (max spread)	mm	2483
		in	97.8
16	Outside Tine Width (min spread)	mm	590
		in	23.2
	Tine Width (single tine)	mm	180.0
		in	7.1
	Tine Thickness	mm	90.0
		in	3.5
	Tine Capacity	kq	11300
		lbs	24905
	Operating Weight	kq	30286
		lbs	66750

\*Negative values indicate below grade

### 980 AGG

Construction Fork, FUSION

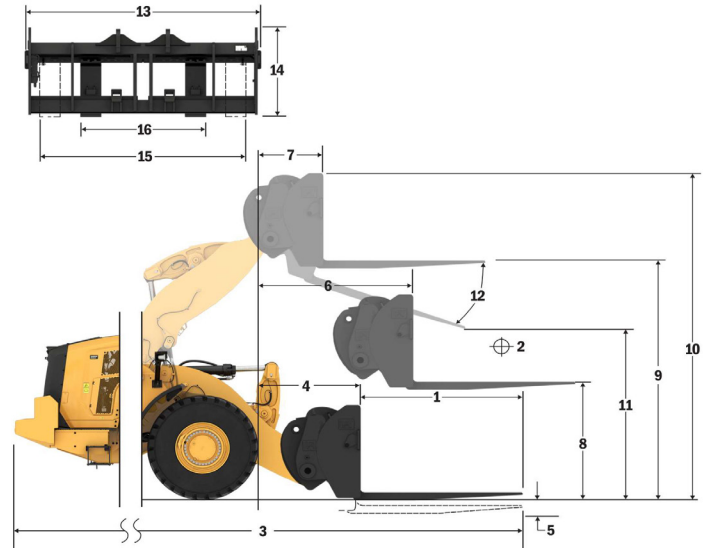
108" Carriage

96" Tine

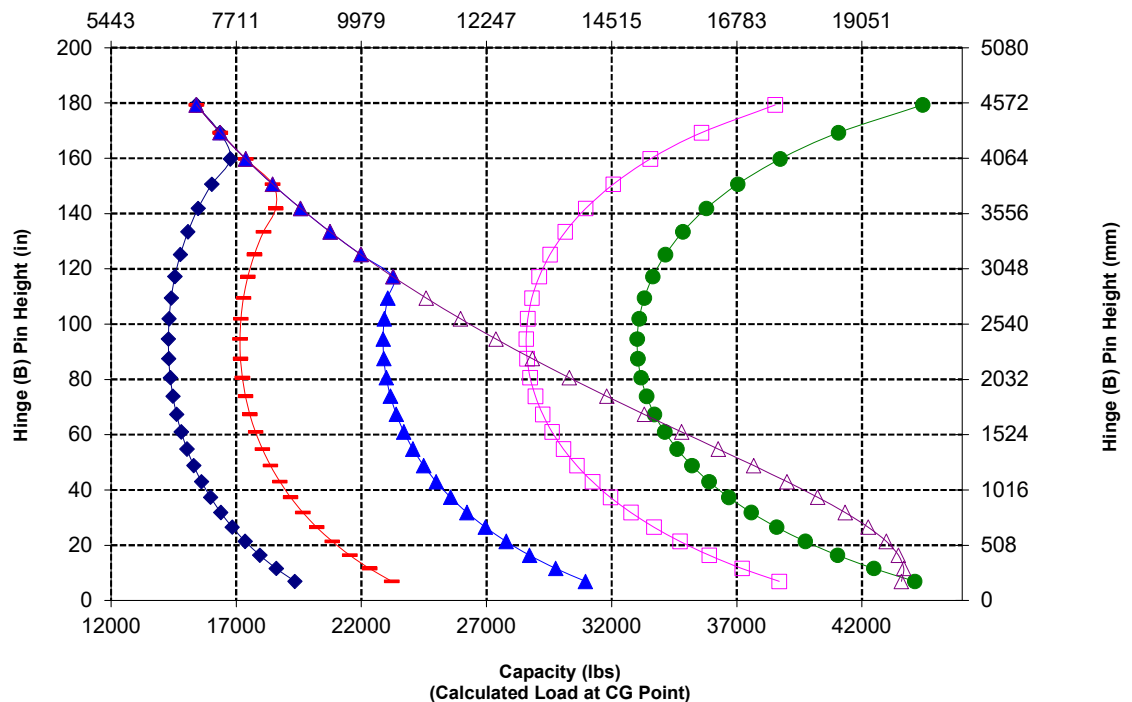
520-7968

520-7981

\*Build 14A  
\*Parallel Z-Bar Linkage  
\*Aggregate Handling Configuration



Capacity (kg)  
(Calculated Load at CG Point)



**NOTE:** Static tipping loads and operating weight are based on the following loader configuration: Bridgestone \* VSNT L4 Tires, Air Conditioning, Ride Control, Powertrain Guard, Full Fluids, Fuel Tank, Coolant, Lubricants, and Operator.

Specifications and ratings conform to the following standards: SAE\* J1197, ISO 14397-1, CEN\*\* EN 474-3.

The rated operating load for a loader equipped with a pallet fork is determined by:  
SAE J1197: 50% of full turn static tipping load or hydraulic limit.  
CEN EN 474-3: 60% of full turn static tipping load on rough terrain or hydraulic limit.  
CEN EN 474-3: 80% of full turn static tipping load on firm and level ground or hydraulic limit.

\*SAE - Society of Automotive Engineers

\*\*CEN - European Committee for Standardization



# 980 Wheel Loader Specifications

## Fork Specifications

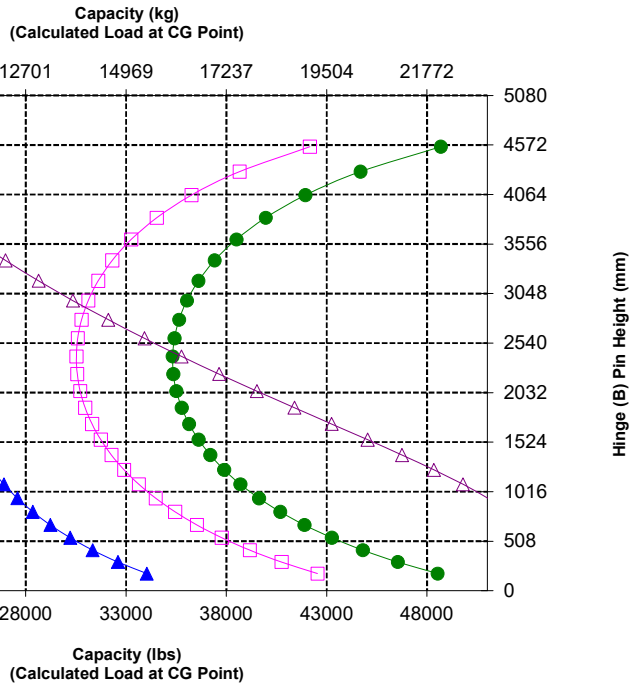
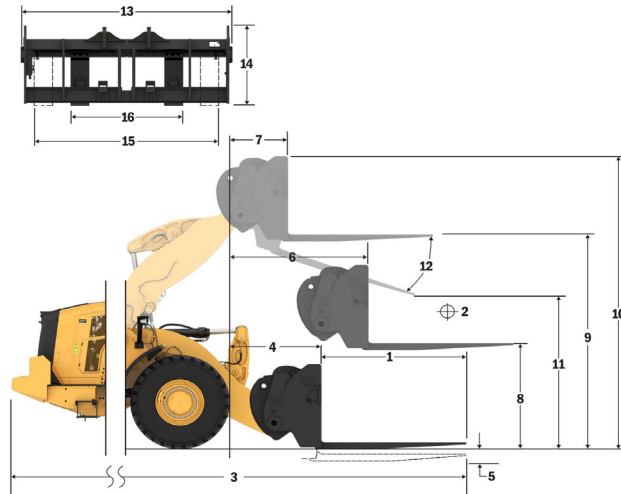
### Fork Specifications

1	Tine Length	mm	1829
		in	72.0
2	Load Center	mm	914
		in	36.0
	Static Tipping Load - Straight (Forks Level)	kg	16020
		lbs	35309
	Static Tipping Load - Articulated (Forks Level)	kg	13844
		lbs	30513
	Rated Load (SAE J1197 - 50% FTSTL)	kg	6922
		lbs	15256
	Rated Load (CEN EN 474-3 Rough Terrain - 60% FTSTL)	kg	8307
		lbs	18308
	Rated Load (CEN EN 474-3 Firm and Level Ground - 80% FTSTL)	kg	8905
		lbs	19627
3	Maximum Overall Length	mm	10408
		in	409.8
4	Reach with Forks at Ground Level	mm	1162
		in	45.8
5	*Ground to Bottom of Tine at Minimum Height and Fork Level	mm	-99
		in	-3.9
6	Reach with Arms Horizontal and Forks Level	mm	1796
		in	70.7
7	Reach with Fork at Maximum Height	mm	869
		in	34.2
8	Ground to Top of Tine with Arms Horizontal and Fork Level	mm	2095
		in	82.5
9	Ground to Top of Tine at Maximum Height and Fork Level	mm	4364
		in	171.8
10	Overall Height of Fork at Full Lift (top of carriage to ground)	mm	5407
		in	212.9
11	Clearance at Full Lift and Max Dump	mm	2498
		in	98.3
12	Max Discharge Angle from Horizontal	deg	55
13	Overall Carriage Width	mm	2821
		in	111.1
14	Overall Carriage Height	mm	1129
		in	44.4
15	Outside Tine Width (max spread)	mm	2627
		in	103.4
16	Outside Tine Width (min spread)	mm	747
		in	29.4
	Tine Width (single tine)	mm	250.0
		in	9.8
	Tine Thickness	mm	85.0
		in	3.3
	Tine Capacity	kg	18700
		lbs	41215
	Operating Weight	kg	30599
		lbs	67440

\*Negative values indicate below grade

**980 AGG**  
Construction Fork, HD, FUSION

2x 130 mm HE Tilt Cylinders  
108" Carriage 72" Tine  
523-4199 523-4200



**NOTE:** Static tipping loads and operating weight are based on the following loader configuration: Bridgestone™ VSNLT L4 Tires, Air Conditioning, Ride Control, Powertrain Guard, Full Fluids, Fuel Tank, Coolant, Lubricants, and Operator.

Specifications and ratings conform to the following standards: SAE\* J1197, ISO 14397-1, CEN\*\* EN 474-3.

The rated operating load for a loader equipped with a pallet fork is determined by:  
SAE J1197: 50% of full turn static tipping load or hydraulic limit.  
CEN EN 474-3: 60% of full turn static tipping load on rough terrain or hydraulic limit.  
CEN EN 474-3: 80% of full turn static tipping load on firm and level ground or hydraulic limit.

\*SAE - Society of Automotive Engineers  
\*\*CEN - European Committee for Standardization



**WARNING:** Do not exceed tine load capacity. Individual tine capacity is stamped on the side of each tine.



# 980 Wheel Loader Specifications

## Fork Specifications

### Fork Specifications

1	Tine Length	mm	2134
		in	84.0
2	Load Center	mm	1067
		in	42.0
	Static Tipping Load - Straight (Forks Level)	kg	15281
		lbs	33680
	Static Tipping Load - Articulated (Forks Level)	kg	13192
		lbs	29075
	Rated Load (SAE J1197 - 50% FTSTL)	kg	6596
		lbs	14537
	Rated Load (CEN EN 474-3 Rough Terrain - 60% FTSTL)	kg	7914
		lbs	17442
	Rated Load (CEN EN 474-3 Firm and Level Ground - 80% FTSTL)	kg	7914
		lbs	17442
3	Maximum Overall Length	mm	10717
		in	421.9
4	Reach with Forks at Ground Level	mm	1166
		in	45.9
5	*Ground to Bottom of Tine at Minimum Height and Fork Level	mm	-99
		in	-3.9
6	Reach with Arms Horizontal and Forks Level	mm	1796
		in	70.7
7	Reach with Fork at Maximum Height	mm	869
		in	34.2
8	Ground to Top of Tine with Arms Horizontal and Fork Level	mm	2100
		in	82.7
9	Ground to Top of Tine at Maximum Height and Fork Level	mm	4369
		in	172.0
10	Overall Height of Fork at Full Lift (top of carriage to ground)	mm	5407
		in	212.9
11	Clearance at Full Lift and Max Dump	mm	2247
		in	88.5
12	Max Discharge Angle from Horizontal	deg	55
13	Overall Carriage Width	mm	2821
		in	111.1
14	Overall Carriage Height	mm	1129
		in	44.4
15	Outside Tine Width (max spread)	mm	2627
		in	103.4
16	Outside Tine Width (min spread)	mm	747
		in	29.4
	Tine Width (single tine)	mm	250.0
		in	9.8
	Tine Thickness	mm	90.0
		in	3.5
	Tine Capacity	kg	17729
		lbs	39075
	Operating Weight	kg	30701
		lbs	67664

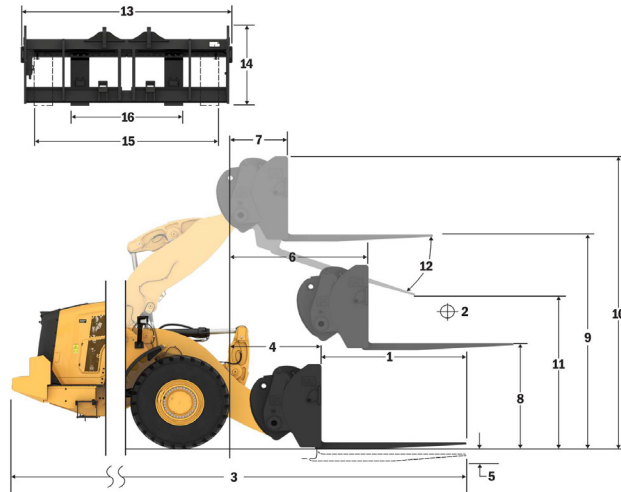
\*Negative values indicate below grade

### 980 AGG Construction Fork, HD, FUSION

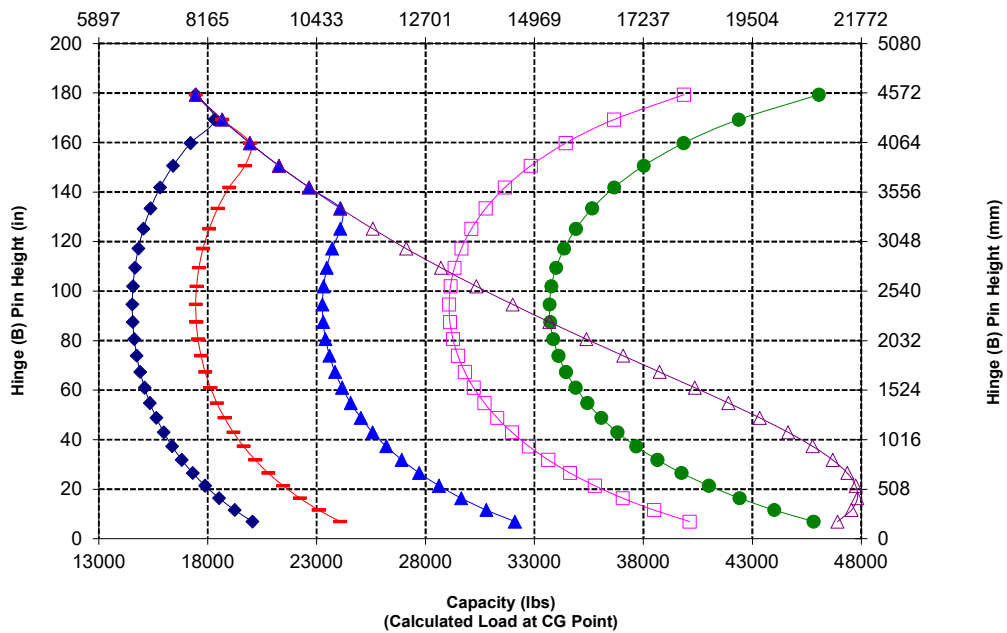
2x 130 mm HE Tilt Cylinders

108" Carriage 84" Tine

523-4199 523-4201



Capacity (kg)  
(Calculated Load at CG Point)



**WARNING:** Do not exceed tine load capacity. Individual tine capacity is stamped on the side of each tine.

# 980 Wheel Loader Specifications

## Fork Specifications

### Fork Specifications

1	Tine Length	mm	2438
		in	96.0
2	Load Center	mm	1219
		in	48.0
	Static Tipping Load - Straight (Forks Level)	kg	14537
		lbs	32041
	Static Tipping Load - Articulated (Forks Level)	kg	12529
		lbs	27614
	Rated Load (SAE J1197 - 50% FTSTL)	kg	6265
		lbs	13807
	Rated Load (CEN EN 474-3 Rough Terrain - 60% FTSTL)	kg	7041
		lbs	15518
	Rated Load (CEN EN 474-3 Firm and Level Ground - 80% FTSTL)	kg	7041
		lbs	15518
3	Maximum Overall Length	mm	11025
		in	434.1
4	Reach with Forks at Ground Level	mm	1170
		in	46.1
5	*Ground to Bottom of Tine at Minimum Height and Fork Level	mm	-98
		in	-3.8
6	Reach with Arms Horizontal and Forks Level	mm	1801
		in	70.9
7	Reach with Fork at Maximum Height	mm	874
		in	34.4
8	Ground to Top of Tine with Arms Horizontal and Fork Level	mm	2102
		in	82.7
9	Ground to Top of Tine at Maximum Height and Fork Level	mm	4370
		in	172.1
10	Overall Height of Fork at Full Lift (top of carriage to ground)	mm	5407
		in	212.9
11	Clearance at Full Lift and Max Dump	mm	1994
		in	78.5
12	Max Discharge Angle from Horizontal	deg	55
13	Overall Carriage Width	mm	2821
		in	111.1
14	Overall Carriage Height	mm	1127
		in	44.4
15	Outside Tine Width (max spread)	mm	2629
		in	103.5
16	Outside Tine Width (min spread)	mm	747
		in	29.4
	Tine Width (single tine)	mm	250.0
		in	9.8
	Tine Thickness	mm	90.0
		in	3.5
	Tine Capacity	kg	15750
		lbs	34713
	Operating Weight	kg	30852
		lbs	67997

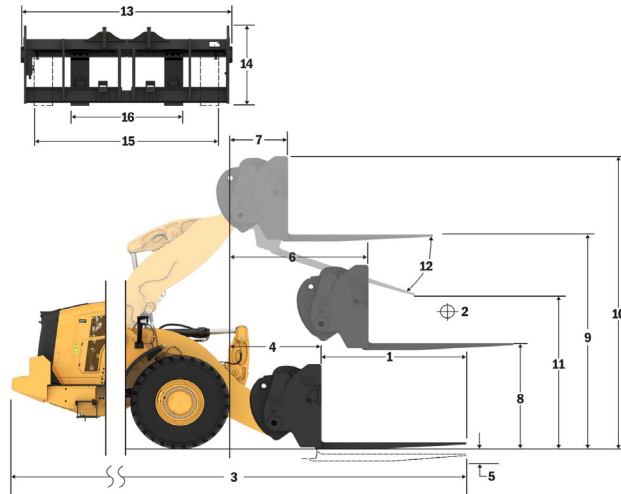
\*Negative values indicate below grade

### 980 AGG Construction Fork, HD, FUSION

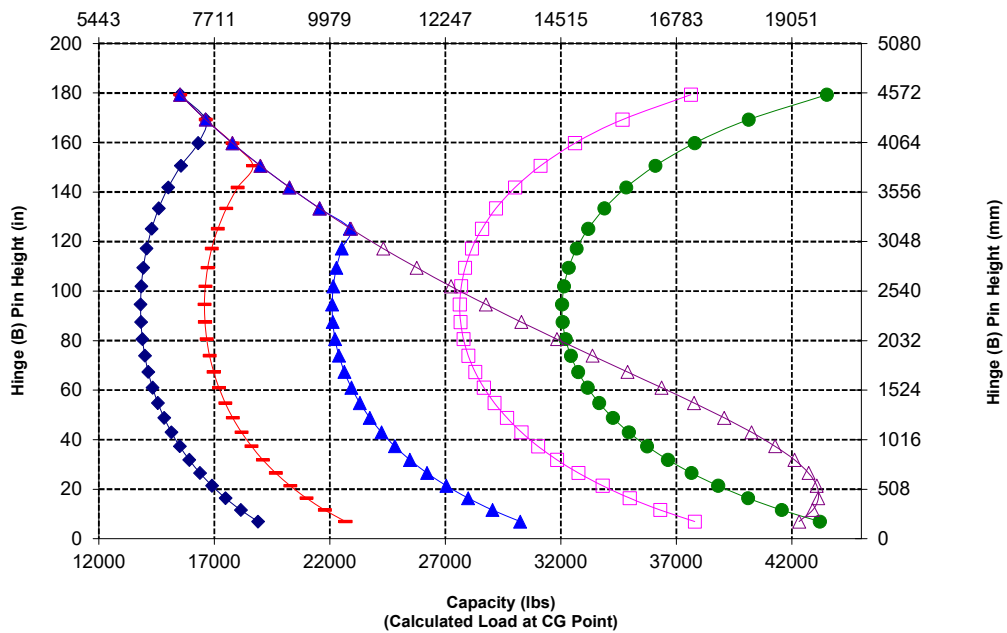
2x 130 mm HE Tilt Cylinders

108" Carriage 96" Tine

523-4199 523-4202



Capacity (kg)  
(Calculated Load at CG Point)



**WARNING:** Do not exceed tine load capacity. Individual tine capacity is stamped on the side of each tine.

# 980 Wheel Loader Specifications

## Fork Specifications

### Fork Specifications

1	Tine Length	mm	1524
		in	60.0
2	Load Center	mm	762
		in	30.0
	Static Tipping Load - Straight (Forks Level)	kg	17380
		lbs	38305
	Static Tipping Load - Articulated (Forks Level)	kg	15117
		lbs	33319
	Rated Load (SAE J1197 - 50% FTSTL)	kg	7559
		lbs	16659
	Rated Load (CEN EN 474-3 Rough Terrain - 60% FTSTL)	kg	9070
		lbs	19991
	Rated Load (CEN EN 474-3 Firm and Level Ground - 80% FTSTL)	kg	12094
		lbs	26655
3	Maximum Overall Length	mm	10139
		in	399.2
4	Reach with Forks at Ground Level	mm	1199
		in	47.2
5	*Ground to Bottom of Tine at Minimum Height and Fork Level	mm	-151
		in	-5.9
6	Reach with Arms Horizontal and Forks Level	mm	1809
		in	71.2
7	Reach with Fork at Maximum Height	mm	883
		in	34.7
8	Ground to Top of Tine with Arms Horizontal and Fork Level	mm	2024
		in	79.7
9	Ground to Top of Tine at Maximum Height and Fork Level	mm	4292
		in	169.0
10	Overall Height of Fork at Full Lift (top of carriage to ground)	mm	5067
		in	199.5
11	Clearance at Full Lift and Max Dump	mm	2893
		in	113.9
12	Max Discharge Angle from Horizontal	deg	45
13	Overall Carriage Width	mm	2217
		in	87.3
14	Overall Carriage Height	mm	840
		in	33.1
15	Outside Tine Width (max spread)	mm	2070
		in	81.5
16	Outside Tine Width (min spread)	mm	470
		in	18.5
	Tine Width (single tine)	mm	150.0
		in	5.9
	Tine Thickness	mm	65.0
		in	2.6
	Tine Capacity	kg	6300
		lbs	13885
	Operating Weight	kg	29725
		lbs	65514

\*Negative values indicate below grade

### 980 AGG QC

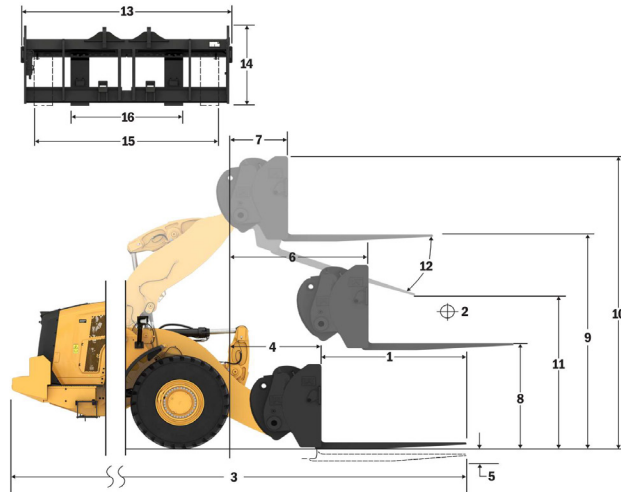
Pallet Fork, FUSION

2x 150 mm HE Tilt Cylinders

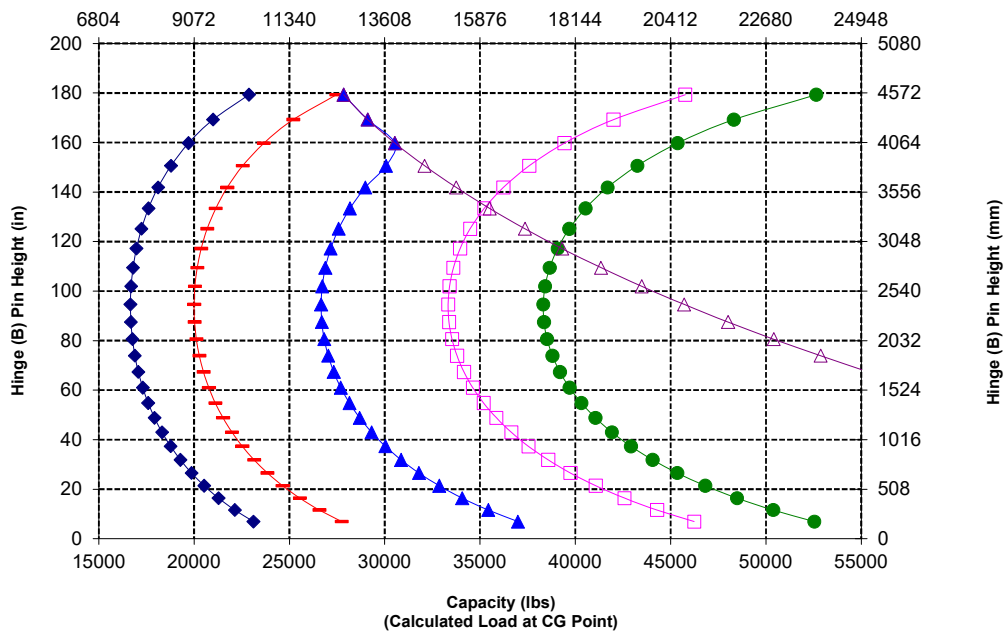
87" Carriage 60" Tine

530-1861

548-3265



Capacity (kg)  
(Calculated Load at CG Point)



**WARNING:** Do not exceed tine load capacity. Individual tine capacity is stamped on the side of each tine.

# 980 Wheel Loader Specifications

## Fork Specifications

### Fork Specifications

1	Tine Length	mm	1830
		in	72.0
2	Load Center	mm	915
		in	36.0
	Static Tipping Load - Straight (Forks Level)	kg	16621
		lbs	36633
	Static Tipping Load - Articulated (Forks Level)	kg	14453
		lbs	31854
	Rated Load (SAE J1197 - 50% FTSTL)	kg	7226
		lbs	15927
	Rated Load (CEN EN 474-3 Rough Terrain - 60% FTSTL)	kg	8672
		lbs	19112
	Rated Load (CEN EN 474-3 Firm and Level Ground - 80% FTSTL)	kg	11207
		lbs	24701
3	Maximum Overall Length	mm	10445
		in	411.2
4	Reach with Forks at Ground Level	mm	1199
		in	47.2
5	*Ground to Bottom of Tine at Minimum Height and Fork Level	mm	-151
		in	-5.9
6	Reach with Arms Horizontal and Forks Level	mm	1809
		in	71.2
7	Reach with Fork at Maximum Height	mm	883
		in	34.7
8	Ground to Top of Tine with Arms Horizontal and Fork Level	mm	2024
		in	79.7
9	Ground to Top of Tine at Maximum Height and Fork Level	mm	4292
		in	169.0
10	Overall Height of Fork at Full Lift (top of carriage to ground)	mm	5067
		in	199.5
11	Clearance at Full Lift and Max Dump	mm	2676
		in	105.4
12	Max Discharge Angle from Horizontal	deg	45
13	Overall Carriage Width	mm	2217
		in	87.3
14	Overall Carriage Height	mm	840
		in	33.1
15	Outside Tine Width (max spread)	mm	2070
		in	81.5
16	Outside Tine Width (min spread)	mm	470
		in	18.5
	Tine Width (single tine)	mm	150.0
		in	5.9
	Tine Thickness	mm	65.0
		in	2.6
	Tine Capacity	kg	5246
		lbs	11562
	Operating Weight	kg	29772
		lbs	65617

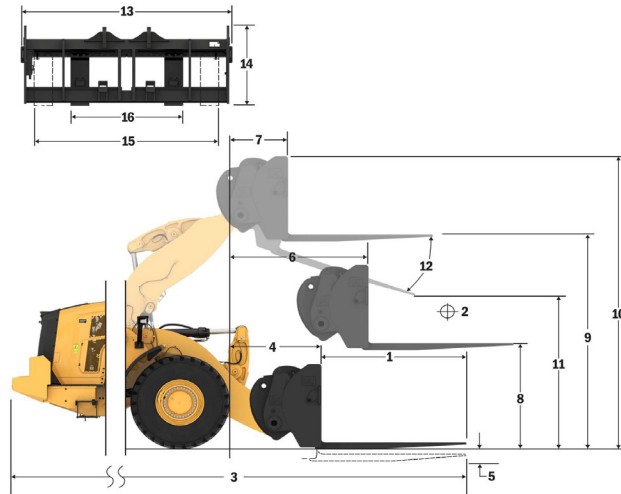
\*Negative values indicate below grade

### 980 AGG QC Pallet Fork, FUSION

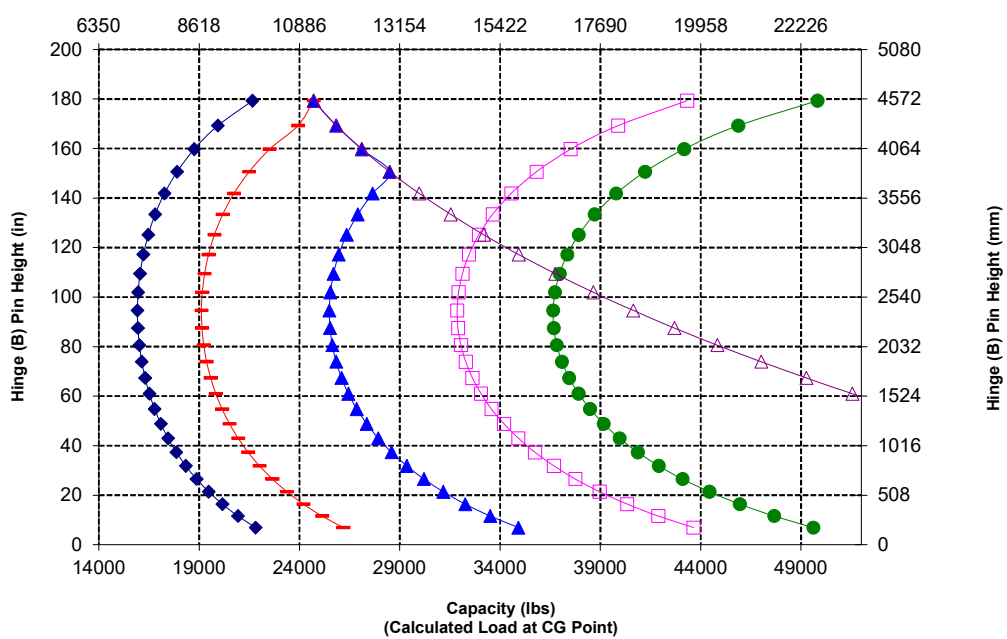
2x 150 mm HE Tilt Cylinders

87" Carriage 72" Tine

530-1861 530-1869



Capacity (kg)  
(Calculated Load at CG Point)



**NOTE:** Static tipping loads and operating weight are based on the following loader configuration: Bridgestone® VSNT L4 Tires, Air Conditioning, Ride Control, Powertrain Guard, Full Fluids, Fuel Tank, Coolant, Lubricants, and Operator.

Specifications and ratings conform to the following standards: SAE® J1197, ISO 14397-1, CEN® EN 474-3.

The rated operating load for a loader equipped with a pallet fork is determined by:  
SAE J1197: 50% of full turn static tipping load or hydraulic limit.  
CEN EN 474-3: 60% of full turn static tipping load on rough terrain or hydraulic limit.  
CEN EN 474-3: 80% of full turn static tipping load on firm and level ground or hydraulic limit.

\*SAE - Society of Automotive Engineers  
\*\*CEN - European Committee for Standardization



**WARNING:** Do not exceed tine load capacity. Individual tine capacity is stamped on the side of each tine.

# 980 Wheel Loader Specifications

## Fork Specifications

### Fork Specifications

1	Tine Length	mm	1219
		in	48.0
2	Load Center	mm	610
		in	24.0
	Static Tipping Load - Straight (Forks Level)	kg	17940
		lbs	39539
	Static Tipping Load - Articulated (Forks Level)	kg	15566
		lbs	34308
	Rated Load (SAE J1197 - 50% FTSTL)	kg	7783
		lbs	17154
	Rated Load (CEN EN 474-3 Rough Terrain - 60% FTSTL)	kg	9340
		lbs	20585
	Rated Load (CEN EN 474-3 Firm and Level Ground - 80% FTSTL)	kg	12453
		lbs	27447
3	Maximum Overall Length	mm	9777
		in	384.9
4	Reach with Forks at Ground Level	mm	1141
		in	44.9
5	*Ground to Bottom of Tine at Minimum Height and Fork Level	mm	-65
		in	-2.5
6	Reach with Arms Horizontal and Forks Level	mm	1797
		in	70.7
7	Reach with Fork at Maximum Height	mm	870
		in	34.2
8	Ground to Top of Tine with Arms Horizontal and Fork Level	mm	2135
		in	84.0
9	Ground to Top of Tine at Maximum Height and Fork Level	mm	4403
		in	173.4
10	Overall Height of Fork at Full Lift (top of carriage to ground)	mm	5433
		in	214.3
11	Clearance at Full Lift and Max Dump	mm	3074
		in	121.0
12	Max Discharge Angle from Horizontal	deg	51
13	Overall Carriage Width	mm	2833
		in	111.5
14	Overall Carriage Height	mm	1130
		in	44.5
15	Outside Tine Width (max spread)	mm	2493
		in	98.1
16	Outside Tine Width (min spread)	mm	590
		in	23.2
	Tine Width (single tine)	mm	180.0
		in	7.1
	Tine Thickness	mm	90.0
		in	3.5
	Tine Capacity	kg	22200
		lbs	48929
	Operating Weight	kg	30087
		lbs	66312

\*Negative values indicate below grade

### 980 AGG QC

Construction Fork, FUSION

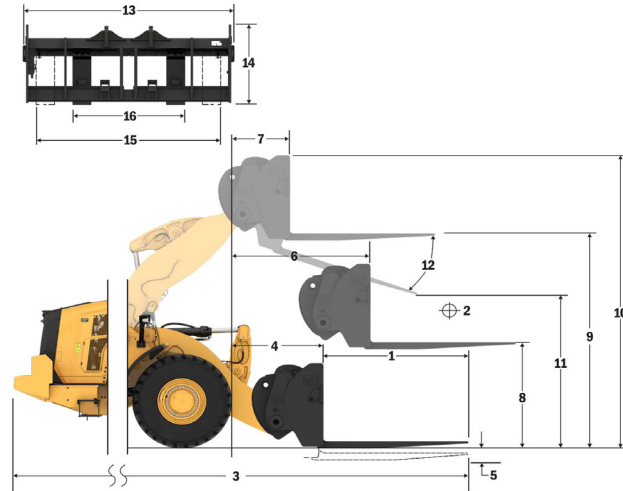
108" Carriage

48" Tine

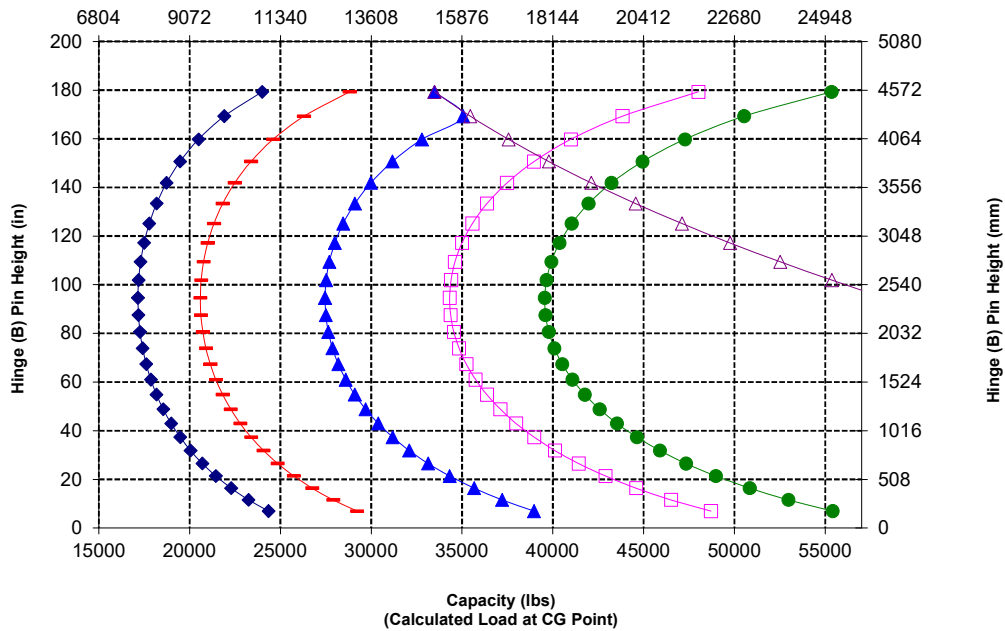
520-7968

520-7985

\*Build 14A  
\*Parallel Z-Bar Linkage  
\*150mm HE Tilt Cylinders, for use with FUSION only



Capacity (kg)  
(Calculated Load at CG Point)



**WARNING:** Do not exceed tine load capacity. Individual tine capacity is stamped on the side of each tine.

# 980 Wheel Loader Specifications

## Fork Specifications

### Fork Specifications

1	Tine Length	mm	1524
		in	60.0
2	Load Center	mm	762
		in	30.0
	Static Tipping Load - Straight (Forks Level)	kq	17113
		lbs	37717
	Static Tipping Load - Articulated (Forks Level)	kq	14842
		lbs	32711
	Rated Load (SAE J1197 - 50% FTSTL)	kq	7421
		lbs	16355
	Rated Load (CEN EN 474-3 Rough Terrain - 60% FTSTL)	kq	8905
		lbs	19626
	Rated Load (CEN EN 474-3 Firm and Level Ground - 80% FTSTL)	kq	11873
		lbs	26169
3	Maximum Overall Length	mm	10082
		in	396.9
4	Reach with Forks at Ground Level	mm	1141
		in	44.9
5	*Ground to Bottom of Tine at Minimum Height and Fork Level	mm	-65
		in	-2.5
6	Reach with Arms Horizontal and Forks Level	mm	1797
		in	70.7
7	Reach with Fork at Maximum Height	mm	870
		in	34.2
8	Ground to Top of Tine with Arms Horizontal and Fork Level	mm	2135
		in	84.0
9	Ground to Top of Tine at Maximum Height and Fork Level	mm	4403
		in	173.4
10	Overall Height of Fork at Full Lift (top of carriage to ground)	mm	5443
		in	214.3
11	Clearance at Full Lift and Max Dump	mm	2835
		in	111.6
12	Max Discharge Angle from Horizontal	deg	51
13	Overall Carriage Width	mm	2833
		in	111.5
14	Overall Carriage Height	mm	1130
		in	44.5
15	Outside Tine Width (max spread)	mm	2483
		in	97.8
16	Outside Tine Width (min spread)	mm	590
		in	23.2
	Tine Width (single tine)	mm	180.0
		in	7.1
	Tine Thickness	mm	90.0
		in	3.5
	Tine Capacity	kq	17800
		lbs	39231
	Operating Weight	kq	30149
		lbs	66448

\*Negative values indicate below grade

### 980 AGG QC

Construction Fork, FUSION

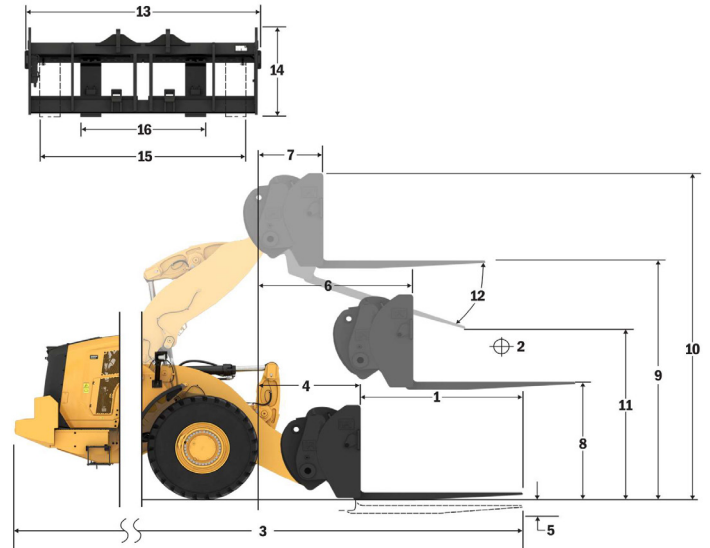
108" Carriage

60" Tine

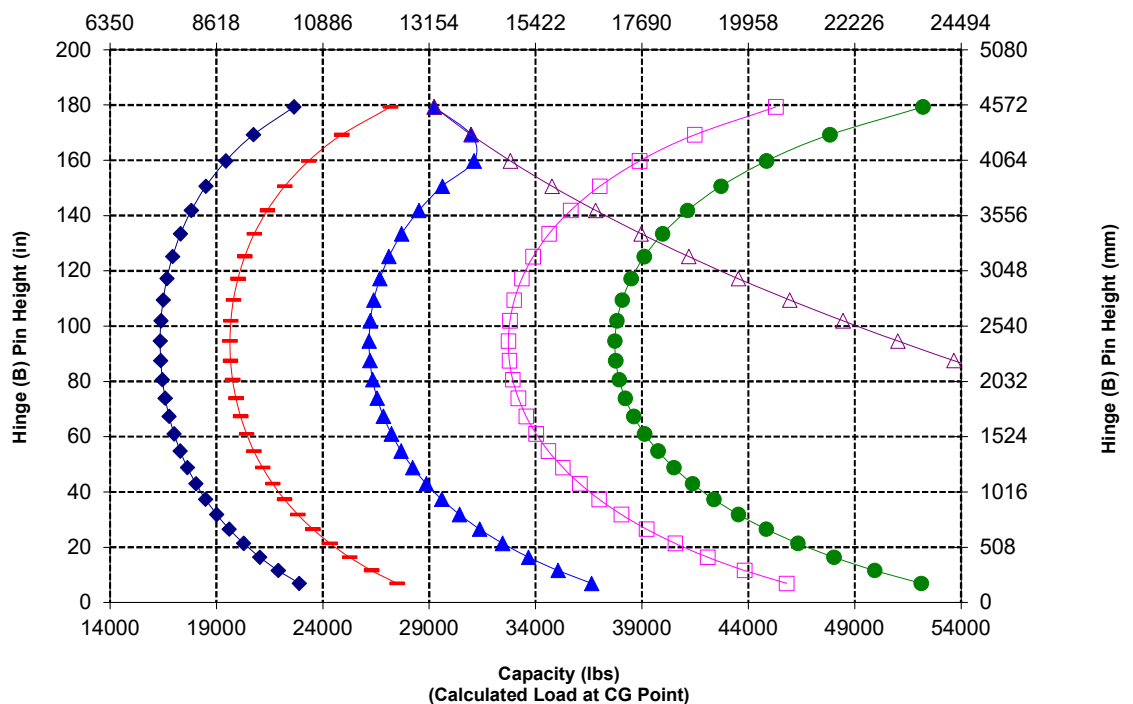
520-7968

520-7980

\*Build 14A  
\*Parallel Z-Bar Linkage  
\*150mm HE Tilt Cylinders, for use with FUSION only



Capacity (kg)  
(Calculated Load at CG Point)









# 980 Wheel Loader Specifications

## Fork Specifications

### Fork Specifications

1	Tine Length	mm	2134
		in	84.0
2	Load Center	mm	1067
		in	42.0
	Static Tipping Load - Straight (Forks Level)	kq	15636
		lbs	34462
	Static Tipping Load - Articulated (Forks Level)	kq	13545
		lbs	29853
	Rated Load (SAE J1197 - 50% FTSTL)	kq	6773
		lbs	14927
	Rated Load (CEN EN 474-3 Rough Terrain - 60% FTSTL)	kq	8127
		lbs	17912
	Rated Load (CEN EN 474-3 Firm and Level Ground - 80% FTSTL)	kq	10508
		lbs	23160
3	Maximum Overall Length	mm	10692
		in	420.9
4	Reach with Forks at Ground Level	mm	1141
		in	44.9
5	*Ground to Bottom of Tine at Minimum Height and Fork Level	mm	-65
		in	-2.5
6	Reach with Arms Horizontal and Forks Level	mm	1797
		in	70.7
7	Reach with Fork at Maximum Height	mm	870
		in	34.2
8	Ground to Top of Tine with Arms Horizontal and Fork Level	mm	2135
		in	84.0
9	Ground to Top of Tine at Maximum Height and Fork Level	mm	4403
		in	173.4
10	Overall Height of Fork at Full Lift (top of carriage to ground)	mm	5443
		in	214.3
11	Clearance at Full Lift and Max Dump	mm	2359
		in	92.9
12	Max Discharge Angle from Horizontal	deg	51
13	Overall Carriage Width	mm	2833
		in	111.5
14	Overall Carriage Height	mm	1130
		in	44.5
15	Outside Tine Width (max spread)	mm	2483
		in	97.8
16	Outside Tine Width (min spread)	mm	590
		in	23.2
	Tine Width (single tine)	mm	180.0
		in	7.1
	Tine Thickness	mm	90.0
		in	3.5
	Tine Capacity	kq	12700
		lbs	27991
	Operating Weight	kq	30273
		lbs	66721

\*Negative values indicate below grade

### 980 AGG QC

Construction Fork, FUSION

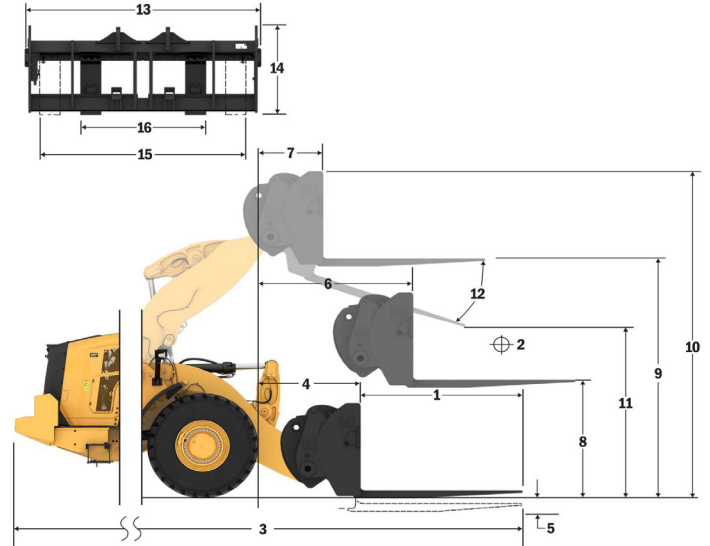
108" Carriage

84" Tine

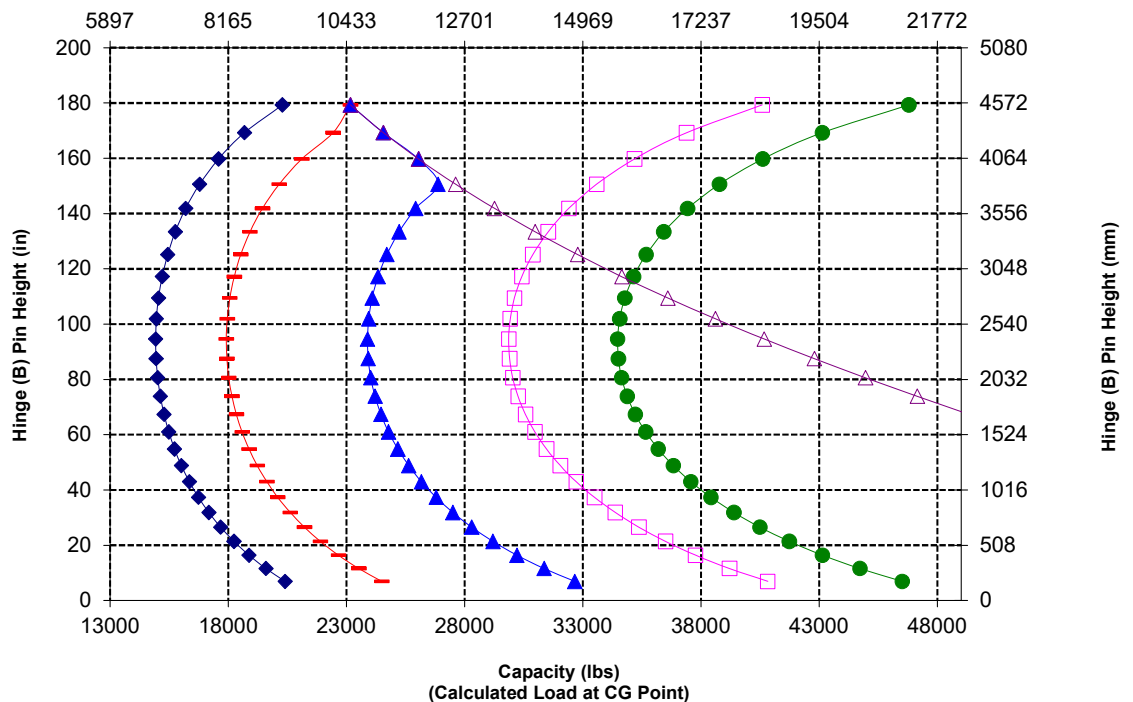
520-7968

520-7986

\*Build 14A  
\*Parallel Z-Bar Linkage  
\*150mm HE Tilt Cylinders, for use with FUSION only



Capacity (kg)  
(Calculated Load at CG Point)



# 980 Wheel Loader Specifications

## Fork Specifications

### Fork Specifications

1	Tine Length	mm	2438
		in	96.0
2	Load Center	mm	1219
		in	48.0
	Static Tipping Load - Straight (Forks Level)	kq	14976
		lbs	33007
	Static Tipping Load - Articulated (Forks Level)	kq	12965
		lbs	28574
	Rated Load (SAE J1197 - 50% FTSTL)	kq	6482
		lbs	14287
	Rated Load (CEN EN 474-3 Rough Terrain - 60% FTSTL)	kq	7779
		lbs	17144
	Rated Load (CEN EN 474-3 Firm and Level Ground - 80% FTSTL)	kq	9491
		lbs	20919
3	Maximum Overall Length	mm	10996
		in	432.9
4	Reach with Forks at Ground Level	mm	1141
		in	44.9
5	*Ground to Bottom of Tine at Minimum Height and Fork Level	mm	-65
		in	-2.5
6	Reach with Arms Horizontal and Forks Level	mm	1797
		in	70.7
7	Reach with Fork at Maximum Height	mm	870
		in	34.2
8	Ground to Top of Tine with Arms Horizontal and Fork Level	mm	2135
		in	84.0
9	Ground to Top of Tine at Maximum Height and Fork Level	mm	4403
		in	173.4
10	Overall Height of Fork at Full Lift (top of carriage to ground)	mm	5443
		in	214.3
11	Clearance at Full Lift and Max Dump	mm	2122
		in	83.5
12	Max Discharge Angle from Horizontal	deg	51
13	Overall Carriage Width	mm	2833
		in	111.5
14	Overall Carriage Height	mm	1130
		in	44.5
15	Outside Tine Width (max spread)	mm	2483
		in	97.8
16	Outside Tine Width (min spread)	mm	590
		in	23.2
	Tine Width (single tine)	mm	180.0
		in	7.1
	Tine Thickness	mm	90.0
		in	3.5
	Tine Capacity	kq	11300
		lbs	24905
	Operating Weight	kq	30336
		lbs	66860

\*Negative values indicate below grade

### 980 AGG QC

Construction Fork, FUSION

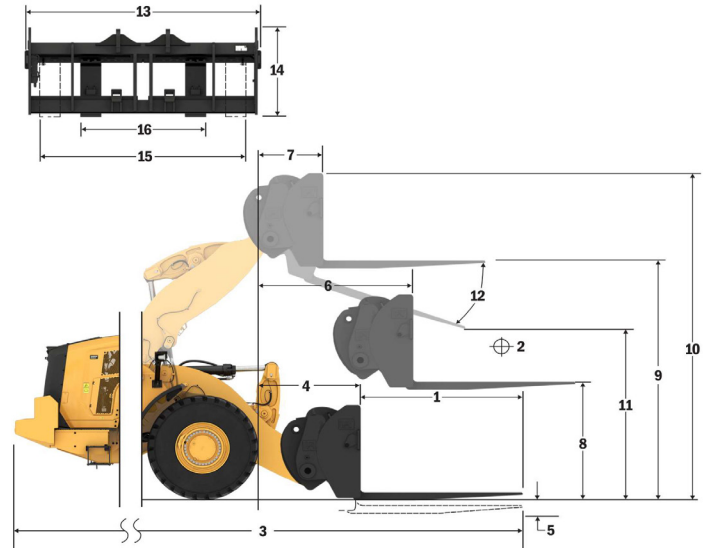
108" Carriage

96" Tine

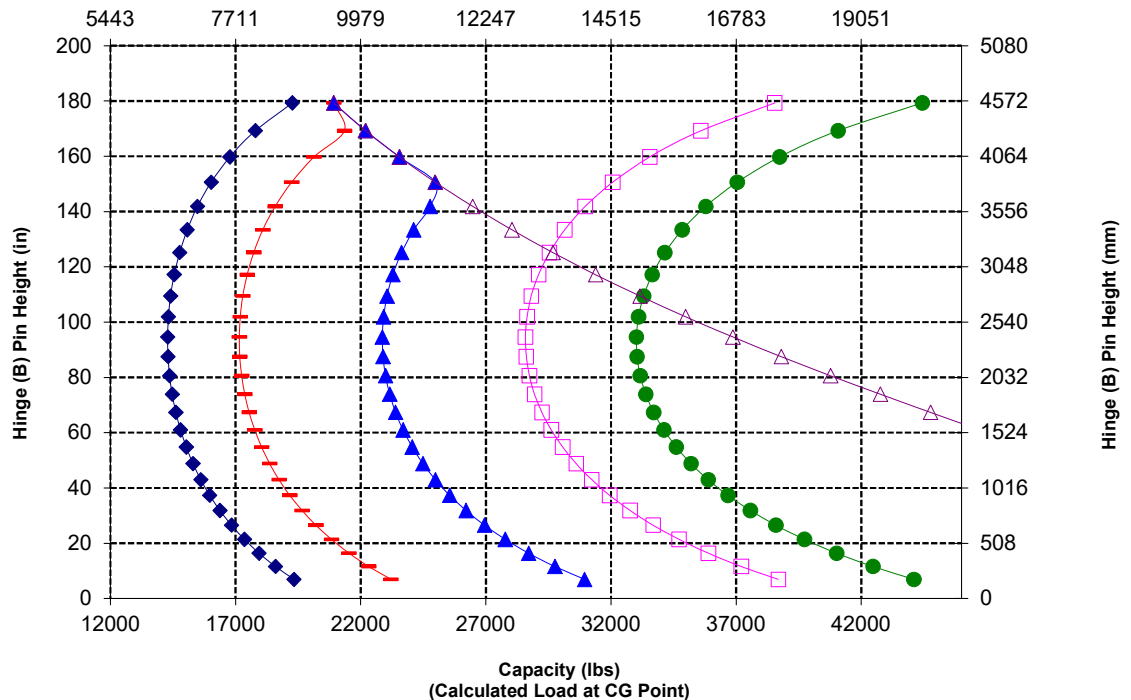
520-7968

520-7981

\*Build 14A  
\*Parallel Z-Bar Linkage  
\*150mm HE Tilt Cylinders, for use with FUSION only



Capacity (kg)  
(Calculated Load at CG Point)



# 980 Wheel Loader Specifications

## Fork Specifications

### Fork Specifications

1	Tine Length	mm	1829
		in	72.0
2	Load Center	mm	914
		in	36.0
	Static Tipping Load - Straight (Forks Level)	kq	16020
		lbs	35307
	Static Tipping Load - Articulated (Forks Level)	kq	13843
		lbs	30511
	Rated Load (SAE J1197 - 50% FTSTL)	kq	6922
		lbs	15255
	Rated Load (CEN EN 474-3 Rough Terrain - 60% FTSTL)	kq	8306
		lbs	18307
	Rated Load (CEN EN 474-3 Firm and Level Ground - 80% FTSTL)	kq	11075
		lbs	24409
3	Maximum Overall Length	mm	10408
		in	409.8
4	Reach with Forks at Ground Level	mm	1162
		in	45.8
5	*Ground to Bottom of Tine at Minimum Height and Fork Level	mm	-99
		in	-3.9
6	Reach with Arms Horizontal and Forks Level	mm	1796
		in	70.7
7	Reach with Fork at Maximum Height	mm	869
		in	34.2
8	Ground to Top of Tine with Arms Horizontal and Fork Level	mm	2095
		in	82.5
9	Ground to Top of Tine at Maximum Height and Fork Level	mm	4364
		in	171.8
10	Overall Height of Fork at Full Lift (top of carriage to ground)	mm	5407
		in	212.9
11	Clearance at Full Lift and Max Dump	mm	2498
		in	98.3
12	Max Discharge Angle from Horizontal	deg	55
13	Overall Carriage Width	mm	2821
		in	111.1
14	Overall Carriage Height	mm	1129
		in	44.4
15	Outside Tine Width (max spread)	mm	2627
		in	103.4
16	Outside Tine Width (min spread)	mm	747
		in	29.4
	Tine Width (single tine)	mm	250.0
		in	9.8
	Tine Thickness	mm	85.0
		in	3.3
	Tine Capacity	kq	18700
		lbs	41215
	Operating Weight	kq	30649
		lbs	67550

\*Negative values indicate below grade

### 980 AGG QC

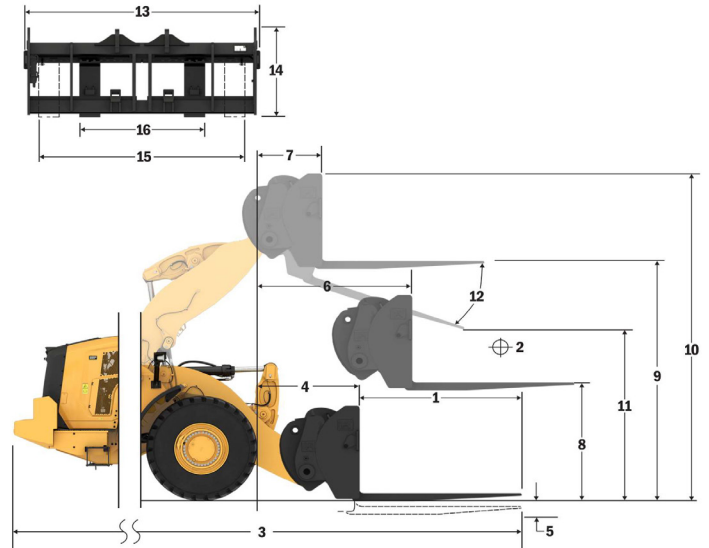
Construction Fork, HD, FUSION

2x 150 mm HE Tilt Cylinders

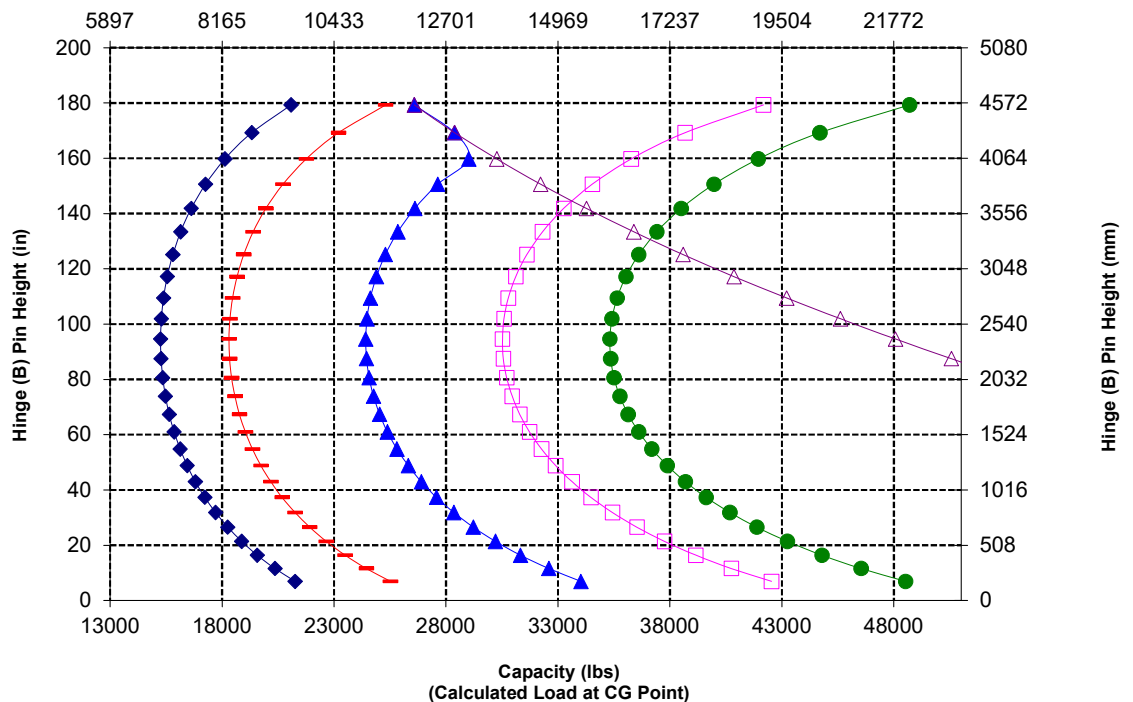
108" Carriage 72" Tine

523-4199

523-4200



Capacity (kg)  
(Calculated Load at CG Point)



# 980 Wheel Loader Specifications

## Fork Specifications

### Fork Specifications

1	Tine Length	mm	2134
		in	84.0
2	Load Center	mm	1067
		in	42.0
	Static Tipping Load - Straight (Forks Level)	kq	15281
		lbs	33678
	Static Tipping Load - Articulated (Forks Level)	kq	13191
		lbs	29073
	Rated Load (SAE J1197 - 50% FTSTL)	kq	6595
		lbs	14536
	Rated Load (CEN EN 474-3 Rough Terrain - 60% FTSTL)	kq	7915
		lbs	17444
	Rated Load (CEN EN 474-3 Firm and Level Ground - 80% FTSTL)	kq	10553
		lbs	23258
3	Maximum Overall Length	mm	10717
		in	421.9
4	Reach with Forks at Ground Level	mm	1166
		in	45.9
5	*Ground to Bottom of Tine at Minimum Height and Fork Level	mm	-99
		in	-3.9
6	Reach with Arms Horizontal and Forks Level	mm	1796
		in	70.7
7	Reach with Fork at Maximum Height	mm	869
		in	34.2
8	Ground to Top of Tine with Arms Horizontal and Fork Level	mm	2100
		in	82.7
9	Ground to Top of Tine at Maximum Height and Fork Level	mm	4369
		in	172.0
10	Overall Height of Fork at Full Lift (top of carriage to ground)	mm	5407
		in	212.9
11	Clearance at Full Lift and Max Dump	mm	2247
		in	88.5
12	Max Discharge Angle from Horizontal	deg	55
13	Overall Carriage Width	mm	2821
		in	111.1
14	Overall Carriage Height	mm	1129
		in	44.4
15	Outside Tine Width (max spread)	mm	2627
		in	103.4
16	Outside Tine Width (min spread)	mm	747
		in	29.4
	Tine Width (single tine)	mm	250.0
		in	9.8
	Tine Thickness	mm	90.0
		in	3.5
	Tine Capacity	kq	17729
		lbs	39075
	Operating Weight	kq	30751
		lbs	67775

\*Negative values indicate below grade

### 980 AGG QC

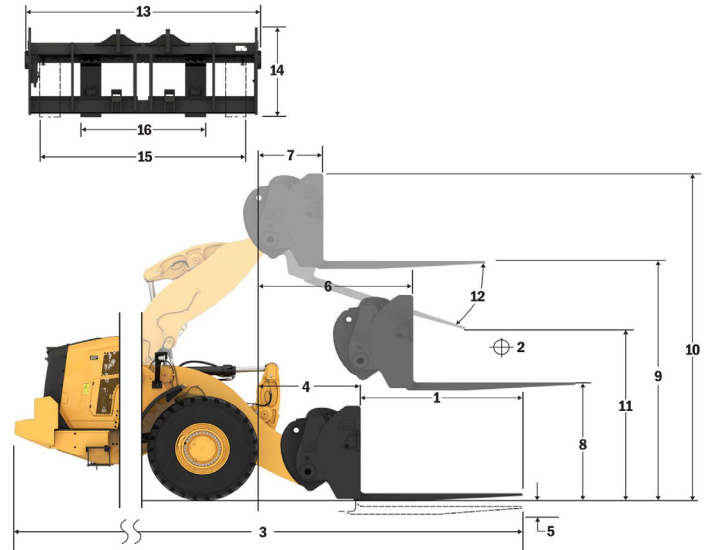
Construction Fork, HD, FUSION

2x 150 mm HE Tilt Cylinders

108" Carriage 84" Tine

523-4199

523-4201



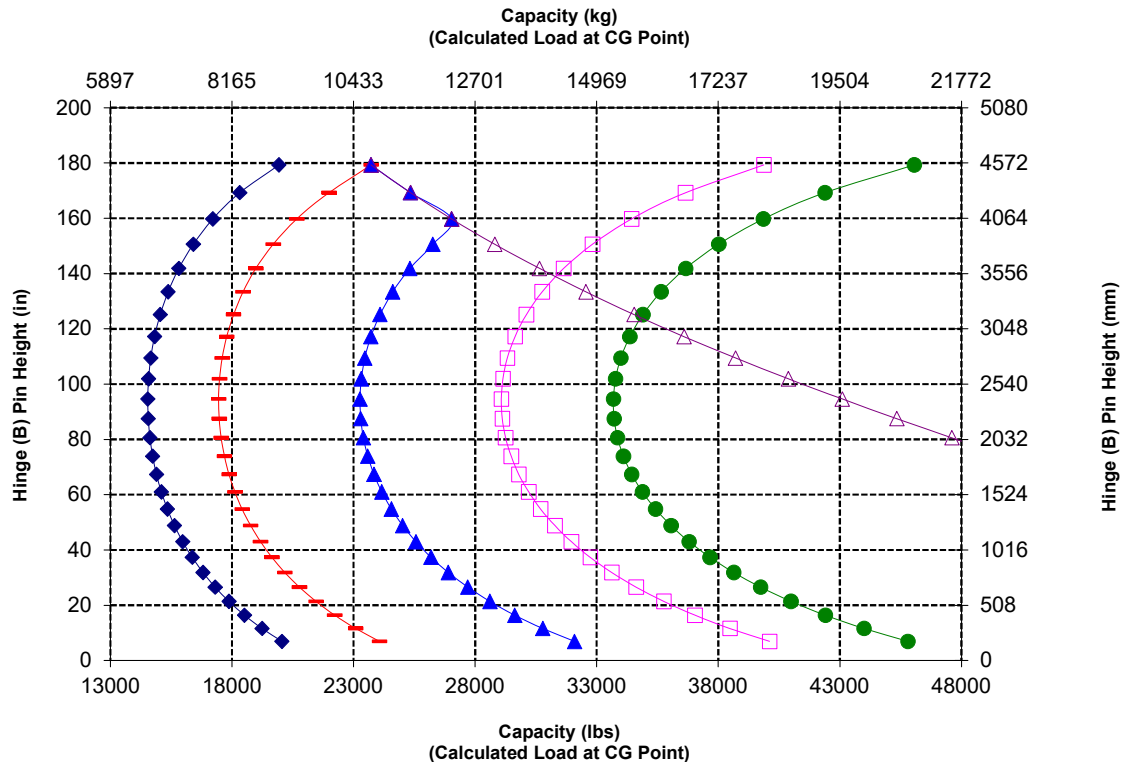
- ◆ Payload (SAE J1197)
- Payload (CEN EN 474-3 - Rough Terrain)
- ▲ Payload (CEN EN 474-3 - Firm & Level)
- ◻ Static Tipping Load - Articulated
- Static Tipping Load - Straight
- ▲ Hydraulic TR Capacity
- Hydraulic LR Capacity

**NOTE:** Static tipping loads and operating weight are based on the following loader configuration: Bridgestone \* VSNT L4 Tires, Air Conditioning, Ride Control, Powertrain Guard, Full Fluids, Fuel Tank, Coolant, Lubricants, and Operator.

Specifications and ratings conform to the following standards: SAE\* J1197, ISO 14397-1, CEN\*\* EN 474-3.

The rated operating load for a loader equipped with a pallet fork is determined by:  
 SAE J1197: 50% of full turn static tipping load or hydraulic limit.  
 CEN EN 474-3: 60% of full turn static tipping load on rough terrain or hydraulic limit.  
 CEN EN 474-3: 80% of full turn static tipping load on firm and level ground or hydraulic limit.

\*SAE - Society of Automotive Engineers  
 \*\*CEN - European Committee for Standardization



# 980 Wheel Loader Specifications

## Fork Specifications

### Fork Specifications

1	Tine Length	mm	2438
		in	96.0
2	Load Center	mm	1219
		in	48.0
	Static Tipping Load - Straight (Forks Level)	kq	14537
		lbs	32039
	Static Tipping Load - Articulated (Forks Level)	kq	12528
		lbs	27612
	Rated Load (SAE J1197 - 50% FTSTL)	kq	6264
		lbs	13806
	Rated Load (CEN EN 474-3 Rough Terrain - 60% FTSTL)	kq	7517
		lbs	16567
	Rated Load (CEN EN 474-3 Firm and Level Ground - 80% FTSTL)	kq	9628
		lbs	21221
3	Maximum Overall Length	mm	11025
		in	434.1
4	Reach with Forks at Ground Level	mm	1170
		in	46.1
5	*Ground to Bottom of Tine at Minimum Height and Fork Level	mm	-98
		in	-3.8
6	Reach with Arms Horizontal and Forks Level	mm	1801
		in	70.9
7	Reach with Fork at Maximum Height	mm	874
		in	34.4
8	Ground to Top of Tine with Arms Horizontal and Fork Level	mm	2102
		in	82.7
9	Ground to Top of Tine at Maximum Height and Fork Level	mm	4370
		in	172.1
10	Overall Height of Fork at Full Lift (top of carriage to ground)	mm	5407
		in	212.9
11	Clearance at Full Lift and Max Dump	mm	1994
		in	78.5
12	Max Discharge Angle from Horizontal	deg	55
13	Overall Carriage Width	mm	2821
		in	111.1
14	Overall Carriage Height	mm	1127
		in	44.4
15	Outside Tine Width (max spread)	mm	2629
		in	103.5
16	Outside Tine Width (min spread)	mm	747
		in	29.4
	Tine Width (single tine)	mm	250.0
		in	9.8
	Tine Thickness	mm	90.0
		in	3.5
	Tine Capacity	kq	15750
		lbs	34713
	Operating Weight	kq	30902
		lbs	68108

\*Negative values indicate below grade

### 980 AGG QC

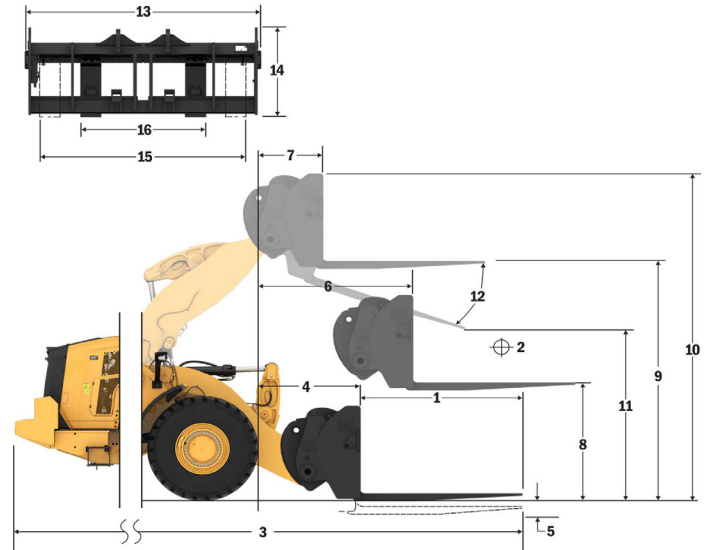
Construction Fork, HD, FUSION

2x 150 mm HE Tilt Cylinders

108" Carriage 96" Tine

523-4199

523-4202



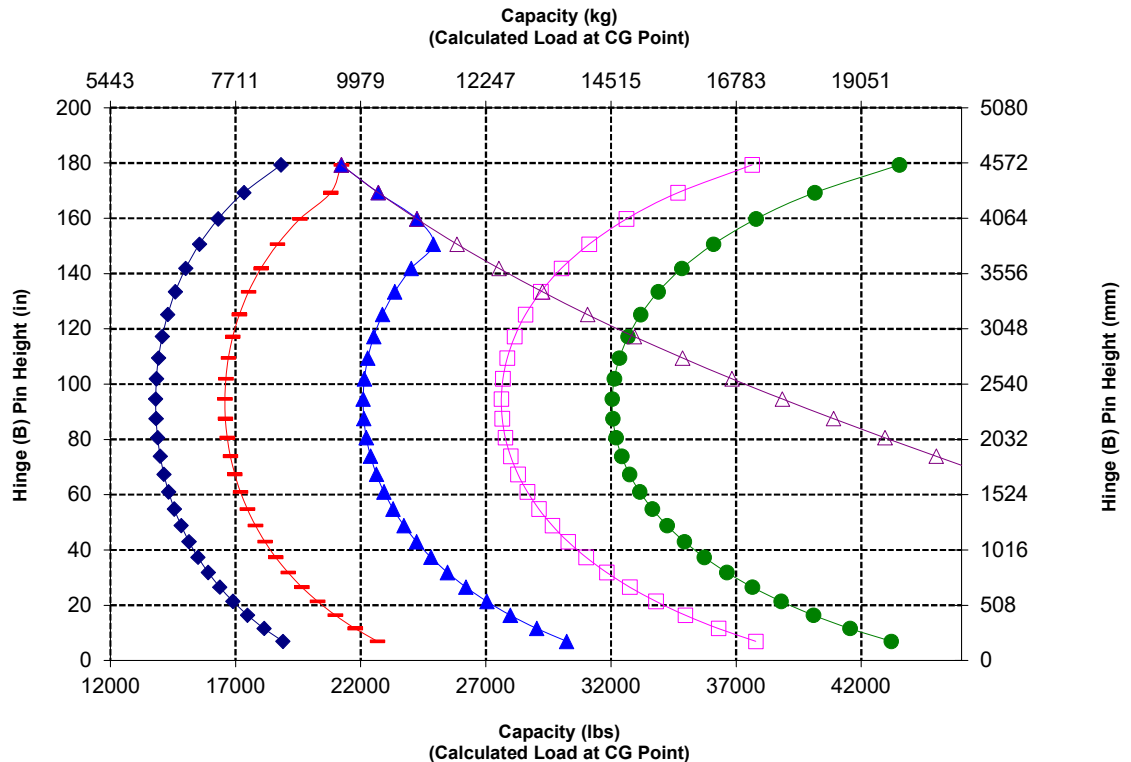
- ◆ Payload (SAE J1197)
- Payload (CEN EN 474-3 - Rough Terrain)
- ▲ Payload (CEN EN 474-3 - Firm & Level)
- Static Tipping Load - Articulated
- Static Tipping Load - Straight
- ▲ Hydraulic TR Capacity
- Hydraulic LR Capacity

**NOTE:** Static tipping loads and operating weight are based on the following loader configuration: Bridgestone \* VSNT L4 Tires, Air Conditioning, Ride Control, Powertrain Guard, Full Fluids, Fuel Tank, Coolant, Lubricants, and Operator.

Specifications and ratings conform to the following standards: SAE\* J1197, ISO 14397-1, CEN\*\* EN 474-3.

The rated operating load for a loader equipped with a pallet fork is determined by:  
 SAE J1197: 50% of full turn static tipping load or hydraulic limit.  
 CEN EN 474-3: 60% of full turn static tipping load on rough terrain or hydraulic limit.  
 CEN EN 474-3: 80% of full turn static tipping load on firm and level ground or hydraulic limit.

\*SAE - Society of Automotive Engineers  
 \*\*CEN - European Committee for Standardization



# 980 Wheel Loader Specifications

## Standard and Optional Equipment

Standard and optional equipment may vary. Consult your Cat dealer for details.

	Standard	Optional		Standard	Optional
<b>OPERATOR ENVIRONMENT</b>			<b>HYDRAULICS</b>		
Cab, pressurized, sound suppression	✓		Implement system, load sensing with variable displacement piston pump	✓	
Door, remote opening system		✓	Steering system, load sensing with dedicated variable displacement piston pump	✓	
EH implement controls, parking brake	✓		Ride control, dual accumulators		✓
HMU steering wheel	✓		3 <sup>rd</sup> auxiliary function with ride control		✓
Steering, joystick		✓	Oil sampling valves, Cat XT™ hoses	✓	
Entertainment radio (FM, AM, USB, Bluetooth®)		✓	Quick coupler control		✓
Monitored seat belt	✓		<b>POWERTRAIN</b>		
4-point seat belt		✓	Cat C13 engine	✓	
Entertainment radio (DAB+)		✓	Electric fuel priming pump	✓	
CB radio ready		✓	Fuel-water separator and secondary fuel filter	✓	
Seat, cloth, air suspension	✓		Engine, air precleaner	✓	
Seat, suede/cloth, air suspension, heated/cooled		✓	Turbine, air precleaner		✓
Seat, leather/cloth, air suspension, heated/cooled		✓	Radiator, high debris		✓
Touchscreen display	✓		Cooling fan, reversible		✓
Visibility: mirrors, rearview camera	✓		Axles, open differentials	✓	
Multiview (360°) vision system		✓	Axles, limited slip differential(s)		✓
Cat Detect rear radar system		✓	Axles, ecology drains, AOC ready, extreme temperature seals		✓
Dedicated rearview screen		✓	Axles, oil cooler		✓
Mirrors, heated		✓	Transmission, planetary, automatic power shift	✓	
Air conditioner, heater, defroster (auto temp, fan)	✓		Torque converter with lock-up	✓	
Sun visor, front, retractable	✓		Heavy-duty transmission		✓
Sun visor, rear, retractable		✓	Service brakes, hydraulic, fully enclosed wet disc, wear indicators	✓	
Window cleaning platform, front		✓	Integrated Braking System (IBS)	✓	
Windows, front, safety laminated rounded glass	✓		Park brake, caliper on front axles, spring applied-pressure released	✓	
Windows, front, heavy-duty, or full guards		✓	<b>ELECTRICAL</b>		
<b>ON-BOARD TECHNOLOGIES</b>			Starting and charging system, 24V	✓	
Cat Payload Scale	✓		Starter, electric, heavy-duty	✓	
Autodig with Auto Set Tires	✓		Cold start, 120V or 240V		✓
Operator ID & machine security	✓		Lights: halogen, 4 work lights, 2 front roading lights with turn signals, 2 rearview lights	✓	
Application Profiles	✓		Lights: LED		✓
Job Aids	✓		Seat belt monitoring beacon		✓
Controls Help and eOMM*	✓		Warning beacon		✓
Cat Advanced Payload		✓	Reversing strobe lights***		✓
Cat Payload Printer		✓			

\* Not available in all languages

\*\* Standard where mandated

\*\*\* Not Compatible with roading arrangements

(continued on next page)



# 980 Wheel Loader Specifications

## Standard and Optional Equipment *(continued)*

Standard and optional equipment may vary. Consult your Cat dealer for details.

	Standard	Optional		Standard	Optional
<b>MONITORING SYSTEM</b>			<b>SPECIAL CONFIGURATIONS</b>		
Front dash with analog gauges, LCD display, and warning lights	✓		Aggregate handler		✓
Primary touchscreen monitor (Cat Payload, quad screens, machine settings & messages)	✓		Waste and scrap		✓
<b>LINKAGE</b>			Forestry		✓
Standard lift, Z-bar	✓		Steel mill		✓
High lift, Z-bar		✓	Block handler		✓
Kickouts: lift and tilt	✓				
<b>ADDITIONAL EQUIPMENT</b>					
Cat Autolube system		✓			
Fenders, extensions or roading		✓			
Guards: powertrain, crankcase, cab, cylinders, rear		✓			
Biodegradable hydraulic oil		✓			
High-speed oil change system		✓			
Rear cab access		✓			
Fast fill fuel tank		✓			
Toolbox		✓			
Wheel chocks		✓			
Secondary steering system, electrical**		✓			

\* Not available in all languages

\*\* Standard where mandated

\*\*\* Not Compatible with roading arrangements





# 980

## Waste & Scrap Handler

**Waste and scrap handler models feature guarding and reinforcement necessary for work in transfer stations, recycling depots, scrap yards, and demolition sites.**

### Proven Reliability

- Cat C13 engine offers increased power density with a combination of proven electronic fuel and air systems.
- Thorough component design and machine validation processes result in unmatched reliability and uptime.

### Durability

- Waste and scrap handler package adds additional steel guards all around the machine to protect your investment and keep debris out of the implement valve and engine compartments.
- Heavy-duty steel cable lower steps stand up to the harshest of conditions.
- Heavy-duty transmission and axles designed to handle extreme applications.
- Automatic planetary powershift (4F/4R) transmission features durable, long-lasting components.

### Superior Fuel Efficiency & Productivity

- Optional high lift linkage provides additional dump clearance.
- Optional 3rd valve hydraulics for work tools with a top clamp.
- Optional variable pitch fan and high debris cooling cores keep the cores free from debris.
- Powershift transmission with lock-up clutch increases fuel efficiency while delivering optimal performance.
- Single clutch and lock-to-lock shifting for faster acceleration and speed on grades.
- Automatic idle engine shutdown system significantly reduces idle time, overall operating hours, and fuel consumption.
- Optional limited slip differentials increase traction and reduce tire slip, lowering operating costs.
- Deeply integrated engine, power train, and hydraulic systems deliver unmatched productivity and fuel efficiency.

### Safety Features

- Rearview camera enhances visibility behind the machine, helping you work safely and confidently.
- Optional multiview (360°) vision system helps the operator monitor the surroundings of the machine at all times.
- Optional Cat Detect radar technology enhances awareness by monitoring the working environment and alerts operators to hazards.
- Cab access with wide door, optional remote door opening, and stair-like steps add solid stability.
- Floor-to-ceiling windshield, large mirrors with integrated spot mirrors, and rearview camera provide industry leading all-around visibility.

### Reduced Maintenance Time and Costs

- Extended fluid and filter change intervals reduce maintenance costs by up to 20%.
- Optional turbine engine air precleaner improves air filter life.
- Remote Troubleshoot can connect the machine to the dealer service department to help diagnose problems quickly so you can get back to work.
- Remote Flash works around your schedule to ensure your machine's software is up to date for optimal performance.
- The Cat App helps you manage fleet location, hours, and maintenance schedules; it also alerts you for required maintenance and allows you to request service from your local Cat dealer.
- One-piece tilting hood makes engine compartment access fast and easy.

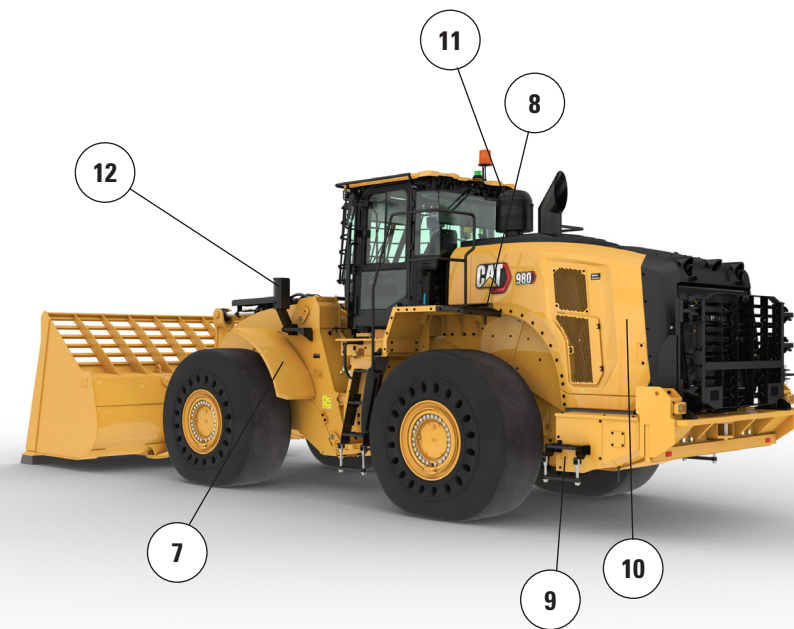
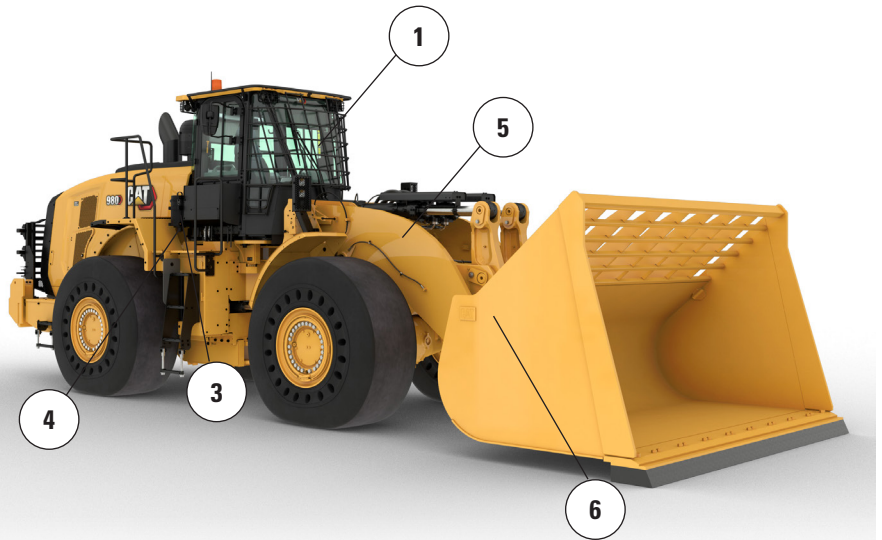
### Work in Comfort in the All New Cab

- Carbon cab air filter reduces cabin odors.
- Optional powered cabin precleaner filters the incoming air and pressurize the cab.
- Next-generation, easily adjustable seat and suspension for improved operator comfort. It comes in three trim levels and can be equipped with a 4-point harness.
- New in-cab dashboard and high-resolution touch display(s) are easy to use, intuitive, and user friendly.
- Sound suppression, seals, and viscous cab mounts decrease noise and vibration for a quieter work environment.
- The seat-mounted electro-hydraulic joystick steering system provides precision control and dramatically reduces arm fatigue, resulting in excellent comfort and accuracy. An HMU steering wheel is also available.

# 980 Waste & Scrap Handler Specifications

## 980 Waste & Scrap Handler Specifications

1. Optional window guarding to provide impact resistance to the glass
2. Added steel guards include crankcase, power train, front frame, hitch, steering cylinder, service center, cab, platform, implement valve cover, and tilt cylinder
3. Carbon cab air filter removes harsh odors
4. Optional powered cab precleaner helps to improve cab filter life and keeps the cab pressurized
5. Optional 3rd valve hydraulics available to control a work tool with a top clamp.
6. Large line of waste and scrap work tools



7. Narrow front steel fenders help to keep the windshield clean and are set inboard of the outer edge of the tire for added protection
8. Optional rear guard protects the rear grill and cooling package from impact
9. Heavy-duty steel cable lower steps stand up to the harshest conditions
10. Optional variable pitch fan and high debris cooling cores help to keep the cooling package clean
11. Optional turbine engine air precleaner with a trash screen option help to extend engine air filter life
12. Front lights are guarded and positioned close to the frame for added protection

# 980 Waste & Scrap Handler Specifications

## Tire Options

Tire Brand	Brawler	Michelin	Michelin	Michelin
Tire Size	29.5-25	29.5-25	29.5-25	29.5-25
Tread Type	Solid	L-4	L-5	L-5
Tread Pattern	Traction/Smooth	XLDD1	XLDD2	XMINED2
Width over Tires – Maximum (empty)*	3216 mm 10'7"	3258 mm 10'9"	3256 mm 10'9"	3275 mm 10'9"
Width over Tires – Maximum (loaded)*	3230 mm 10'8"	3302 mm 10'10"	3296 mm 10'10"	3294 mm 10'10"
Change in Vertical Dimensions (average of front and rear)		-16 mm -0.6"	-15 mm -0.6"	-4 mm -0.2"
Change in Horizontal Reach		-31 mm -1.2"	-28 mm -1.1"	-28 mm -1.1"
Change in Clearance Circle to Outside of Tires		72 mm 2.8"	67 mm 2.6"	64 mm 2.5"
Change in Clearance Circle to Inside of Tires		-72 mm -2.8"	-67 mm -2.6"	-64 mm -2.5"
Change in Operating Weight (without Ballast)		-5928 kg -13,071 lb	-5564 kg -12,269 lb	-5240 kg -11,554 lb
Change in Static Tipping Load – Straight		-4508 kg -9,941 lb	-4231 kg -9,330 lb	-3985 kg -8,787 lb
Change in Static Tipping Load – Articulated		-3924 kg -8,653 lb	-3683 kg -8,122 lb	-3469 kg -7,649 lb
Rear Axle Oscillation Angle	±8 degrees	±13 degrees	±13 degrees	±13 degrees
Maximum Single-wheel Rise and Fall	340 mm 1'1"	549 mm 1'10"	549 mm 1'10"	549 mm 1'10"

\*Width over tire bulge and includes tire growth.

Tire Brand	Bridgestone	Bridgestone	Bridgestone	Bridgestone
Tire Size	29.5R25	29.5R25	29.5R25	29.5R25
Tread Type	L-3	L-4	L-5	L-5
Tread Pattern	VJT	VSNT	VSDT	VSDL
Width over Tires – Maximum (empty)*	3263 mm 10'9"	3240 mm 10'8"	3272 mm 10'9"	3250 mm 10'8"
Width over Tires – Maximum (loaded)*	3289 mm 10'10"	3260 mm 10'9"	3301 mm 10'10"	3275 mm 10'9"
Change in Vertical Dimensions (average of front and rear)	-32 mm -1.3"	-9 mm -0.4"	-5 mm -0.2"	11 mm 0.4"
Change in Horizontal Reach	-10 mm -0.4"	-30 mm -1.2"	-30 mm -1.2"	-40 mm -1.6"
Change in Clearance Circle to Outside of Tires	59 mm 2.3"	30 mm 1.2"	72 mm 2.8"	45 mm 1.8"
Change in Clearance Circle to Inside of Tires	-59 mm -2.3"	-30 mm -1.2"	-72 mm -2.8"	-45 mm -1.8"
Change in Operating Weight (without Ballast)	-6456 kg -14,235 lb	-5772 kg -12,727 lb	-5272 kg -11,625 lb	-5064 kg -11,166 lb
Change in Static Tipping Load – Straight	-4910 kg -10,826 lb	-4390 kg -9,679 lb	-4009 kg -8,841 lb	-3851 kg -8,492 lb
Change in Static Tipping Load – Articulated	-4274 kg -9,424 lb	-3821 kg -8,425 lb	-3490 kg -7,696 lb	-3352 kg -7,392 lb
Rear Axle Oscillation Angle	±13 degrees	±13 degrees	±13 degrees	±13 degrees
Maximum Single-wheel Rise and Fall	549 mm 1'10"	549 mm 1'10"	549 mm 1'10"	549 mm 1'10"

\*Width over tire bulge and includes tire growth.

# 980 Waste & Scrap Handler Specifications

## Tire Options

Tire Brand	Maxam	Maxam	Maxam	Michelin
<b>Tire Size</b>	<b>29.5-25</b>	<b>29.5-25</b>	<b>29.5-25</b>	<b>29.5-25</b>
<b>Tread Type</b>	<b>L-3</b>	<b>L-4</b>	<b>L-5</b>	<b>L-3</b>
<b>Tread Pattern</b>	<b>MS302</b>	<b>MS405DX</b>	<b>MS503</b>	<b>XHA2</b>
Width over Tires – Maximum (empty)*	3270 mm 10'9"	3256 mm 10'9"	3268 mm 10'9"	3270 mm 10'9"
Width over Tires – Maximum (loaded)*	3290 mm 10'10"	3282 mm 10'10"	3304 mm 10'11"	3296 mm 10'10"
Change in Vertical Dimensions (average of front and rear)	-28 mm -1.1"	-42 mm -1.7"	-15 mm -0.6"	-49 mm -1.9"
Change in Horizontal Reach	-25 mm -1"	-12 mm -0.5"	-33 mm -1.3"	-8 mm -0.3"
Change in Clearance Circle to Outside of Tires	60 mm 2.4"	52 mm 2.1"	75 mm 2.9"	66 mm 2.6"
Change in Clearance Circle to Inside of Tires	-60 mm -2.4"	-52 mm -2.1"	-75 mm -2.9"	-66 mm -2.6"
Change in Operating Weight (without Ballast)	-6300 kg -13,892 lb	-6160 kg -13,583 lb	-5520 kg -12,172 lb	-6472 kg -14,271 lb
Change in Static Tipping Load – Straight	-4791 kg -10,564 lb	-4685 kg -10,330 lb	-4198 kg -9,257 lb	-4922 kg -10,853 lb
Change in Static Tipping Load – Articulated	-4171 kg -9,196 lb	-4078 kg -8,992 lb	-3654 kg -8,058 lb	-4284 kg -9,447 lb
Rear Axle Oscillation Angle	±13 degrees	±13 degrees	±13 degrees	±13 degrees
Maximum Single-wheel Rise and Fall	549 mm 1'10"	549 mm 1'10"	549 mm 1'10"	549 mm 1'10"

\*Width over tire bulge and includes tire growth.

Tire Brand	Michelin	Bridgestone	Bridgestone	Maxam
<b>Tire Size</b>	<b>875/65R29</b>	<b>875/65R29</b>	<b>875/65R29</b>	<b>875/65R29</b>
<b>Tread Type</b>	<b>L-3</b>	<b>L-3</b>	<b>L-4</b>	<b>L-4</b>
<b>Tread Pattern</b>	<b>XHA2</b>	<b>VTS</b>	<b>VLTS</b>	<b>MS405DX</b>
Width over Tires – Maximum (empty)*	3373 mm 11'1"	3341 mm 11'0"	3344 mm 11'0"	3357 mm 11'1"
Width over Tires – Maximum (loaded)*	3384 mm 11'2"	3359 mm 11'1"	3366 mm 11'1"	3382 mm 11'2"
Change in Vertical Dimensions (average of front and rear)	-34 mm -1.4"	-28 mm -1.1"	-26 mm -1"	-43 mm -1.7"
Change in Horizontal Reach	-13 mm -0.5"	-10 mm -0.4"	-12 mm -0.5"	-12 mm 152 mm
Change in Clearance Circle to Outside of Tires	155 mm 6.1"	129 mm 5.1"	136 mm 5.4"	6" -152 mm
Change in Clearance Circle to Inside of Tires	-155 mm -6.1"	-129 mm -5.1"	-136 mm -5.4"	-6" -5464 kg
Change in Operating Weight (without Ballast)	-5812 kg -12,815 lb	-5532 kg -12,198 lb	-5456 kg -12,030 lb	-12,048 lb -4155 kg
Change in Static Tipping Load – Straight	-4420 kg -9,746 lb	-4207 kg -9,277 lb	-4149 kg -9,149 lb	-9,163 lb -3617 kg
Change in Static Tipping Load – Articulated	-3848 kg -8,484 lb	-3662 kg -8,075 lb	-3612 kg -7,964 lb	-7,976 lb 8,425 lb
Rear Axle Oscillation Angle	±8 degrees	±8 degrees	±8 degrees	±8 degrees
Maximum Single-wheel Rise and Fall	340 mm 1'1"	340 mm 1'1"	340 mm 1'1"	340 mm 1'1"

\*Width over tire bulge and includes tire growth.

# 980 Waste & Scrap Handler Specifications

## Operating Specifications – Buckets

Linkage		Standard Linkage	
Bucket Type		General Purpose – Pin-On	General Purpose – Hook-On – Fusion
Edge Type		Bolt-On Cutting Edges	Bolt-On Cutting Edges
Capacity – Rated	m <sup>3</sup>	5.40	5.40
	yd <sup>3</sup>	7.00	7.00
Capacity – Rated at 110% Fill Factor	m <sup>3</sup>	5.90	5.90
	yd <sup>3</sup>	7.75	7.75
Width	mm	3447	3447
	ft/in	11'3"	11'3"
<b>16</b> † Dump Clearance at Maximum Lift and 45° Discharge	mm	3292	3187
	ft/in	10'9"	10'5"
<b>17</b> † Reach at Maximum Lift and 45° Discharge	mm	1510	1618
	ft/in	4'11"	5'3"
Reach at Level Lift Arm and Bucket Level	mm	2994	3146
	ft/in	9'9"	10'3"
<b>A</b> † Digging Depth	mm	84	89
	in	3.3"	3.5"
<b>12</b> † Overall Length	mm	9613	9769
	ft/in	31'7"	32'1"
<b>B</b> † Overall Height with Bucket at Maximum Lift	mm	6432	6536
	ft/in	21'2"	21'6"
Loader Clearance Circle Radius with Bucket at Carry Position	mm	7614	7697
	ft/in	25'0"	25'4"
Static Tipping Load, Straight (With tire deflection)	kg	N/A	N/A
	lb	N/A	N/A
Static Tipping Load, Straight (No tire deflection)	kg	29 260	27 802
	lb	64,490	61,276
Static Tipping Load, Articulated (With tire deflection)	kg	N/A	N/A
	lb	N/A	N/A
Static Tipping Load, Articulated (No tire deflection)	kg	25 415	24 063
	lb	56,015	53,036
Breakout Force (§)	kN	226	204
	lbf	50,946	45,849
Operating Weight*	kg	36 885	37 567
	lb	81,294	82,796

\* Static tipping loads and operating weights shown are based on a machine configuration with Brawler 29.5X25 Smooth solid tires, full fluids, operator, cab precleaner, fabricated counterweight with rear guard, flat window glass with front guard, industrial package, ride control, standard starting, narrow fenders, turbine engine precleaner, Product Link, front limited slip differentials, power train guard, standard steering, industrial sound suppression and variable pitch fan.

† Illustration shown with Dimension charts.

(§) Measured 100 mm (4") behind tip of cutting edge with bucket hinge pin as pivot point in accordance with ISO 14397-2:2007.

(With tire deflection) Full compliance to ISO 14397-1:2007 Sections 1 thru 6, which requires 2% verification between calculations and testing.

(No tire deflection) Compliance to ISO 14397-1:2007 Sections 1 thru 5.

Other buckets are available and offerings vary by region. Consult your local Cat dealer for further details.

## Operating Specifications – Buckets

Linkage		Standard Linkage	
Bucket Type		General Purpose – Hook-On – Fusion	General Purpose – Pin-On
Edge Type		Bolt-On Cutting Edges	Bolt-On Cutting Edges
Capacity – Rated	m <sup>3</sup>	5.70	5.70
	yd <sup>3</sup>	7.50	7.50
Capacity – Rated at 110% Fill Factor	m <sup>3</sup>	6.30	6.30
	yd <sup>3</sup>	8.25	8.25
Width	mm	3481	3481
	ft/in	11'5"	11'5"
<b>16</b> † Dump Clearance at Maximum Lift and 45° Discharge	mm	3123	3233
	ft/in	10'2"	10'7"
<b>17</b> † Reach at Maximum Lift and 45° Discharge	mm	1668	1567
	ft/in	5'5"	5'1"
Reach at Level Lift Arm and Bucket Level	mm	3228	3079
	ft/in	10'7"	10'1"
<b>A</b> † Digging Depth	mm	89	72
	in	3.5"	2.8"
<b>12</b> † Overall Length	mm	9851	9689
	ft/in	32'4"	31'10"
<b>B</b> † Overall Height with Bucket at Maximum Lift	mm	6604	6505
	ft/in	21'8"	21'5"
Loader Clearance Circle Radius with Bucket at Carry Position	mm	7739	7648
	ft/in	25'5"	25'2"
Static Tipping Load, Straight (With tire deflection)	kg	N/A	N/A
	lb	N/A	N/A
Static Tipping Load, Straight (No tire deflection)	kg	27,540	28,232
	lb	60,698	62,225
Static Tipping Load, Articulated (With tire deflection)	kg	N/A	N/A
	lb	N/A	N/A
Static Tipping Load, Articulated (No tire deflection)	kg	23,817	24,387
	lb	52,494	53,749
Breakout Force (§)	kN	193	210
	lbf	43,442	47,341
Operating Weight*	kg	37,689	37,820
	lb	83,067	83,354

\* Static tipping loads and operating weights shown are based on a machine configuration with Brawler 29.5X25 Smooth solid tires, full fluids, operator, cab precleaner, fabricated counterweight with rear guard, flat window glass with front guard, industrial package, ride control, standard starting, narrow fenders, turbine engine precleaner, Product Link, front limited slip differentials, power train guard, standard steering, industrial sound suppression and variable pitch fan.

† Illustration shown with Dimension charts.

(§) Measured 100 mm (4") behind tip of cutting edge with bucket hinge pin as pivot point in accordance with ISO 14397-2:2007.

(With tire deflection) Full compliance to ISO 14397-1:2007 Sections 1 thru 6, which requires 2% verification between calculations and testing.

(No tire deflection) Compliance to ISO 14397-1:2007 Sections 1 thru 5.

Other buckets are available and offerings vary by region. Consult your local Cat dealer for further details.

# 980 Waste & Scrap Handler Specifications

## Operating Specifications – Buckets

Linkage		Standard Linkage	
Bucket Type		General Purpose – Pin-On	
Edge Type		Bolt-On Cutting Edges	Bolt-On Cutting Edges
Capacity – Rated	m <sup>3</sup>	6.00	6.40
	yd <sup>3</sup>	7.75	8.25
Capacity – Rated at 110% Fill Factor	m <sup>3</sup>	6.60	7.00
	yd <sup>3</sup>	8.75	9.25
Width	mm	3481	3413
	ft/in	11'5"	11'2"
16† Dump Clearance at Maximum Lift and 45° Discharge	mm	3205	3150
	ft/in	10'6"	10'4"
17† Reach at Maximum Lift and 45° Discharge	mm	1580	1633
	ft/in	5'2"	5'4"
Reach at Level Lift Arm and Bucket Level	mm	3107	3185
	ft/in	10'2"	10'5"
A† Digging Depth	mm	84	84
	in	3.3"	3.3"
12† Overall Length	mm	9726	9804
	ft/in	31'11"	32'2"
B† Overall Height with Bucket at Maximum Lift	mm	6528	6608
	ft/in	21'5"	21'9"
Loader Clearance Circle Radius with Bucket at Carry Position	mm	7660	7651
	ft/in	25'2"	25'2"
Static Tipping Load, Straight (With tire deflection)	kg	N/A	N/A
	lb	N/A	N/A
Static Tipping Load, Straight (No tire deflection)	kg	28 965	28 752
	lb	63,840	63,370
Static Tipping Load, Articulated (With tire deflection)	kg	N/A	N/A
	lb	N/A	N/A
Static Tipping Load, Articulated (No tire deflection)	kg	25 132	24 933
	lb	55,392	54,954
Breakout Force (§)	kN	209	199
	lbf	47,095	44,724
Operating Weight*	kg	37 060	37 145
	lb	81,679	81,867

\* Static tipping loads and operating weights shown are based on a machine configuration with Brawler 29.5X25 Smooth solid tires, full fluids, operator, cab precleaner, fabricated counterweight with rear guard, flat window glass with front guard, industrial package, ride control, standard starting, narrow fenders, turbine engine precleaner, Product Link, front limited slip differentials, power train guard, standard steering, industrial sound suppression and variable pitch fan.

† Illustration shown with Dimension charts.

(§) Measured 100 mm (4") behind tip of cutting edge with bucket hinge pin as pivot point in accordance with ISO 14397-2:2007.

(With tire deflection) Full compliance to ISO 14397-1:2007 Sections 1 thru 6, which requires 2% verification between calculations and testing.

(No tire deflection) Compliance to ISO 14397-1:2007 Sections 1 thru 5.

Other buckets are available and offerings vary by region. Consult your local Cat dealer for further details.



# 980 Waste & Scrap Handler Specifications

## Operating Specifications – Buckets

Linkage		Standard Linkage	
Bucket Type		Waste, Dozing – Pin-On	Waste – Pin-On
Edge Type		Bolt-On Cutting Edges	Rubber Edge
Capacity – Rated	m <sup>3</sup>	9.90	10.70
	yd <sup>3</sup>	13.00	14.00
Capacity – Rated at 110% Fill Factor	m <sup>3</sup>	10.90	11.80
	yd <sup>3</sup>	14.25	15.50
Width	mm	3882	3882
	ft/in	12'8"	12'8"
<b>16</b> † Dump Clearance at Maximum Lift and 45° Discharge	mm	3072	2760
	ft/in	10'0"	9'0"
<b>17</b> † Reach at Maximum Lift and 45° Discharge	mm	1490	1650
	ft/in	4'10"	5'4"
Reach at Level Lift Arm and Bucket Level	mm	3153	3487
	ft/in	10'4"	11'5"
<b>A</b> † Digging Depth	mm	110	70
	in	4.3"	2.7"
<b>12</b> † Overall Length	mm	9793	10 207
	ft/in	32'2"	33'6"
<b>B</b> † Overall Height with Bucket at Maximum Lift	mm	7135	6962
	ft/in	23'5"	22'11"
Loader Clearance Circle Radius with Bucket at Carry Position	mm	7865	7996
	ft/in	25'10"	26'3"
Static Tipping Load, Straight (With tire deflection)	kg	N/A	N/A
	lb	N/A	N/A
Static Tipping Load, Straight (No tire deflection)	kg	30 342	27 596
	lb	66,875	60,822
Static Tipping Load, Articulated (With tire deflection)	kg	N/A	N/A
	lb	N/A	N/A
Static Tipping Load, Articulated (No tire deflection)	kg	26 227	23 791
	lb	57,804	52,437
Breakout Force (§)	kN	204	170
	lbf	46,014	38,403
Operating Weight*	kg	38 062	38 214
	lb	83,889	84,223

\* Static tipping loads and operating weights shown are based on a machine configuration with Brawler 29.5X25 Smooth solid tires, full fluids, operator, cab precleaner, fabricated counterweight with rear guard, flat window glass with front guard, industrial package, ride control, standard starting, narrow fenders, turbine engine precleaner, Product Link, front limited slip differentials, power train guard, standard steering, industrial sound suppression and variable pitch fan.

† Illustration shown with Dimension charts.

(§) Measured 100 mm (4") behind tip of cutting edge with bucket hinge pin as pivot point in accordance with ISO 14397-2:2007.

(With tire deflection) Full compliance to ISO 14397-1:2007 Sections 1 thru 6, which requires 2% verification between calculations and testing.

(No tire deflection) Compliance to ISO 14397-1:2007 Sections 1 thru 5.

Other buckets are available and offerings vary by region. Consult your local Cat dealer for further details.

# 980 Waste & Scrap Handler Specifications

## Operating Specifications – Buckets

Linkage		Standard Linkage	
Bucket Type		Woodchip – Pin-On	
Edge Type		Bolt-On Cutting Edges	Bolt-On Cutting Edges
Capacity – Rated	m <sup>3</sup>	11.50	14.50
	yd <sup>3</sup>	15.00	19.00
Capacity – Rated at 110% Fill Factor	m <sup>3</sup>	12.70	16.00
	yd <sup>3</sup>	16.50	21.00
Width	mm	4166	4434
	ft/in	13'8"	14'6"
16† Dump Clearance at Maximum Lift and 45° Discharge	mm	2947	2743
	ft/in	9'8"	9'0"
17† Reach at Maximum Lift and 45° Discharge	mm	1621	1832
	ft/in	5'3"	6'0"
Reach at Level Lift Arm and Bucket Level	mm	3334	3627
	ft/in	10'11"	11'10"
A† Digging Depth	mm	70	100
	in	2.7"	3.9"
12† Overall Length	mm	9970	10 259
	ft/in	32'9"	33'8"
B† Overall Height with Bucket at Maximum Lift	mm	6826	7051
	ft/in	22'5"	23'2"
Loader Clearance Circle Radius with Bucket at Carry Position	mm	8042	8243
	ft/in	26'5"	27'1"
Static Tipping Load, Straight (With tire deflection)	kg	N/A	N/A
	lb	N/A	N/A
Static Tipping Load, Straight (No tire deflection)	kg	29 168	27 972
	lb	64,286	61,650
Static Tipping Load, Articulated (With tire deflection)	kg	N/A	N/A
	lb	N/A	N/A
Static Tipping Load, Articulated (No tire deflection)	kg	25 202	24 043
	lb	55,546	52,992
Breakout Force (§)	kN	187	151
	lbf	42,236	33,948
Operating Weight*	kg	37 851	38 673
	lb	83,423	85,234

\* Static tipping loads and operating weights shown are based on a machine configuration with Brawler 29.5X25 Smooth solid tires, full fluids, operator, cab precleaner, fabricated counterweight with rear guard, flat window glass with front guard, industrial package, ride control, standard starting, narrow fenders, turbine engine precleaner, Product Link, front limited slip differentials, power train guard, standard steering, industrial sound suppression and variable pitch fan.

† Illustration shown with Dimension charts.

(§) Measured 100 mm (4") behind tip of cutting edge with bucket hinge pin as pivot point in accordance with ISO 14397-2:2007.

(With tire deflection) Full compliance to ISO 14397-1:2007 Sections 1 thru 6, which requires 2% verification between calculations and testing.

(No tire deflection) Compliance to ISO 14397-1:2007 Sections 1 thru 5.

Other buckets are available and offerings vary by region. Consult your local Cat dealer for further details.

# 980 Waste & Scrap Handler Specifications

## Operating Specifications – Buckets

Linkage		High Lift Linkage	
Bucket Type		General Purpose – Pin-On	General Purpose – Hook-On – Fusion
Edge Type		Bolt-On Cutting Edges	Bolt-On Cutting Edges
Capacity – Rated	m <sup>3</sup>	5.40	5.40
	yd <sup>3</sup>	7.00	7.00
Capacity – Rated at 110% Fill Factor	m <sup>3</sup>	5.90	5.90
	yd <sup>3</sup>	7.75	7.75
Width	mm	3447	3447
	ft/in	11'3"	11'3"
<b>16†</b> Dump Clearance at Maximum Lift and 45° Discharge	mm	3513	3408
	ft/in	11'6"	11'2"
<b>17†</b> Reach at Maximum Lift and 45° Discharge	mm	1513	1621
	ft/in	4'11"	5'3"
Reach at Level Lift Arm and Bucket Level	mm	3154	3306
	ft/in	10'4"	10'10"
<b>A†</b> Digging Depth	mm	82	87
	in	3.2"	3.4"
<b>12†</b> Overall Length	mm	9815	9971
	ft/in	32'3"	32'9"
<b>B†</b> Overall Height with Bucket at Maximum Lift	mm	6653	6757
	ft/in	21'10"	22'2"
Loader Clearance Circle Radius with Bucket at Carry Position	mm	8115	8202
	ft/in	26'8"	26'11"
Static Tipping Load, Straight (With tire deflection)	kg	N/A	N/A
	lb	N/A	N/A
Static Tipping Load, Straight (No tire deflection)	kg	26 713	25 350
	lb	58,877	55,872
Static Tipping Load, Articulated (With tire deflection)	kg	N/A	N/A
	lb	N/A	N/A
Static Tipping Load, Articulated (No tire deflection)	kg	23 636	22 355
	lb	52,093	49,271
Breakout Force (§)	kN	230	207
	lbf	51,711	46,549
Operating Weight*	kg	37 019	37 700
	lb	81,589	83,091

\* Static tipping loads and operating weights shown are based on a machine configuration with Brawler 29.5X25 Smooth solid tires, full fluids, operator, cab precleaner, fabricated counterweight with rear guard, flat window glass with front guard, industrial package, ride control, standard starting, narrow fenders, turbine engine precleaner, Product Link, front limited slip differentials, power train guard, standard steering, industrial sound suppression and variable pitch fan.

† Illustration shown with Dimension charts.

(§) Measured 100 mm (4") behind tip of cutting edge with bucket hinge pin as pivot point in accordance with ISO 14397-2:2007.

(With tire deflection) Full compliance to ISO 14397-1:2007 Sections 1 thru 6, which requires 2% verification between calculations and testing.

(No tire deflection) Compliance to ISO 14397-1:2007 Sections 1 thru 5.

Other buckets are available and offerings vary by region. Consult your local Cat dealer for further details.

# 980 Waste & Scrap Handler Specifications

## Operating Specifications – Buckets

Linkage		High Lift Linkage	
Bucket Type		General Purpose – Hook-On – Fusion	General Purpose – Pin-On
Edge Type		Bolt-On Cutting Edges	Bolt-On Cutting Edges
Capacity – Rated	m <sup>3</sup>	5.70	5.70
	yd <sup>3</sup>	7.50	7.50
Capacity – Rated at 110% Fill Factor	m <sup>3</sup>	6.30	6.30
	yd <sup>3</sup>	8.25	8.25
Width	mm	3481	3481
	ft/in	11'5"	11'5"
16† Dump Clearance at Maximum Lift and 45° Discharge	mm	3343	3454
	ft/in	10'11"	11'3"
17† Reach at Maximum Lift and 45° Discharge	mm	1671	1570
	ft/in	5'5"	5'1"
Reach at Level Lift Arm and Bucket Level	mm	3388	3239
	ft/in	11'1"	10'7"
A† Digging Depth	mm	87	70
	in	3.4"	2.7"
12† Overall Length	mm	10 053	9891
	ft/in	33'0"	32'6"
B† Overall Height with Bucket at Maximum Lift	mm	6824	6725
	ft/in	22'5"	22'1"
Loader Clearance Circle Radius with Bucket at Carry Position	mm	8243	8149
	ft/in	27'1"	26'9"
Static Tipping Load, Straight (With tire deflection)	kg	N/A	N/A
	lb	N/A	N/A
Static Tipping Load, Straight (No tire deflection)	kg	25 097	25 683
	lb	55,315	56,606
Static Tipping Load, Articulated (With tire deflection)	kg	N/A	N/A
	lb	N/A	N/A
Static Tipping Load, Articulated (No tire deflection)	kg	22 115	22 606
	lb	48,742	49,825
Breakout Force (§)	kN	196	213
	lbf	44,110	48,058
Operating Weight*	kg	37 823	37 953
	lb	83,361	83,648

\* Static tipping loads and operating weights shown are based on a machine configuration with Brawler 29.5X25 Smooth solid tires, full fluids, operator, cab precleaner, fabricated counterweight with rear guard, flat window glass with front guard, industrial package, ride control, standard starting, narrow fenders, turbine engine precleaner, Product Link, front limited slip differentials, power train guard, standard steering, industrial sound suppression and variable pitch fan.

† Illustration shown with Dimension charts.

(§) Measured 100 mm (4") behind tip of cutting edge with bucket hinge pin as pivot point in accordance with ISO 14397-2:2007.

(With tire deflection) Full compliance to ISO 14397-1:2007 Sections 1 thru 6, which requires 2% verification between calculations and testing.

(No tire deflection) Compliance to ISO 14397-1:2007 Sections 1 thru 5.

Other buckets are available and offerings vary by region. Consult your local Cat dealer for further details.

# 980 Waste & Scrap Handler Specifications

## Operating Specifications – Buckets

Linkage		High Lift Linkage	
Bucket Type		General Purpose – Pin-On	
Edge Type		Bolt-On Cutting Edges	Bolt-On Cutting Edges
Capacity – Rated	m <sup>3</sup>	6.00	6.40
	yd <sup>3</sup>	7.75	8.25
Capacity – Rated at 110% Fill Factor	m <sup>3</sup>	6.60	7.00
	yd <sup>3</sup>	8.75	9.25
Width	mm	3481	3413
	ft/in	11'5"	11'2"
16† Dump Clearance at Maximum Lift and 45° Discharge	mm	3426	3370
	ft/in	11'2"	11'0"
17† Reach at Maximum Lift and 45° Discharge	mm	1583	1636
	ft/in	5'2"	5'4"
Reach at Level Lift Arm and Bucket Level	mm	3267	3345
	ft/in	10'8"	10'11"
A† Digging Depth	mm	82	82
	in	3.2"	3.2"
12† Overall Length	mm	9928	10 006
	ft/in	32'7"	32'10"
B† Overall Height with Bucket at Maximum Lift	mm	6749	6829
	ft/in	22'2"	22'5"
Loader Clearance Circle Radius with Bucket at Carry Position	mm	8161	8152
	ft/in	26'10"	26'9"
Static Tipping Load, Straight (With tire deflection)	kg	N/A	N/A
	lb	N/A	N/A
Static Tipping Load, Straight (No tire deflection)	kg	26 420	26 213
	lb	58,231	57,775
Static Tipping Load, Articulated (With tire deflection)	kg	N/A	N/A
	lb	N/A	N/A
Static Tipping Load, Articulated (No tire deflection)	kg	23 353	23 158
	lb	51,471	51,041
Breakout Force (§)	kN	212	202
	lbf	47,808	45,405
Operating Weight*	kg	37 193	37 278
	lb	81,974	82,161

\* Static tipping loads and operating weights shown are based on a machine configuration with Brawler 29.5X25 Smooth solid tires, full fluids, operator, cab precleaner, fabricated counterweight with rear guard, flat window glass with front guard, industrial package, ride control, standard starting, narrow fenders, turbine engine precleaner, Product Link, front limited slip differentials, power train guard, standard steering, industrial sound suppression and variable pitch fan.

† Illustration shown with Dimension charts.

(§) Measured 100 mm (4") behind tip of cutting edge with bucket hinge pin as pivot point in accordance with ISO 14397-2:2007.

(With tire deflection) Full compliance to ISO 14397-1:2007 Sections 1 thru 6, which requires 2% verification between calculations and testing.

(No tire deflection) Compliance to ISO 14397-1:2007 Sections 1 thru 5.

Other buckets are available and offerings vary by region. Consult your local Cat dealer for further details.

# 980 Waste & Scrap Handler Specifications

## Operating Specifications – Buckets

Linkage		High Lift Linkage	
Bucket Type		Waste, Dozing – Pin-On	Waste – Pin-On
Edge Type		Bolt-On Cutting Edges	Rubber Edge
Capacity – Rated	m <sup>3</sup>	9.90	10.70
	yd <sup>3</sup>	13.00	14.00
Capacity – Rated at 110% Fill Factor	m <sup>3</sup>	10.90	11.80
	yd <sup>3</sup>	14.25	15.50
Width	mm	3882	3882
	ft/in	12'8"	12'8"
16† Dump Clearance at Maximum Lift and 45° Discharge	mm	3292	2980
	ft/in	10'9"	9'9"
17† Reach at Maximum Lift and 45° Discharge	mm	1493	1653
	ft/in	4'10"	5'5"
Reach at Level Lift Arm and Bucket Level	mm	3313	3647
	ft/in	10'10"	11'11"
A† Digging Depth	mm	108	68
	in	4.2"	2.6"
12† Overall Length	mm	9993	10 402
	ft/in	32'10"	34'2"
B† Overall Height with Bucket at Maximum Lift	mm	7355	7183
	ft/in	24'2"	23'7"
Loader Clearance Circle Radius with Bucket at Carry Position	mm	8366	8494
	ft/in	27'6"	27'11"
Static Tipping Load, Straight (With tire deflection)	kg	N/A	N/A
	lb	N/A	N/A
Static Tipping Load, Straight (No tire deflection)	kg	27 373	25 011
	lb	60,331	55,124
Static Tipping Load, Articulated (With tire deflection)	kg	N/A	N/A
	lb	N/A	N/A
Static Tipping Load, Articulated (No tire deflection)	kg	24 107	21 973
	lb	53,132	48,430
Breakout Force (§)	kN	207	174
	lbf	46,725	39,103
Operating Weight*	kg	38 196	38 347
	lb	84,183	84,517

\* Static tipping loads and operating weights shown are based on a machine configuration with Brawler 29.5X25 Smooth solid tires, full fluids, operator, cab precleaner, fabricated counterweight with rear guard, flat window glass with front guard, industrial package, ride control, standard starting, narrow fenders, turbine engine precleaner, Product Link, front limited slip differentials, power train guard, standard steering, industrial sound suppression and variable pitch fan.

† Illustration shown with Dimension charts.

(§) Measured 100 mm (4") behind tip of cutting edge with bucket hinge pin as pivot point in accordance with ISO 14397-2:2007.

(With tire deflection) Full compliance to ISO 14397-1:2007 Sections 1 thru 6, which requires 2% verification between calculations and testing.

(No tire deflection) Compliance to ISO 14397-1:2007 Sections 1 thru 5.

Other buckets are available and offerings vary by region. Consult your local Cat dealer for further details.

# 980 Waste & Scrap Handler Specifications

## Operating Specifications – Buckets

Linkage		High Lift Linkage	
Bucket Type		Woodchip – Pin-On	
Edge Type		Bolt-On Cutting Edges	Bolt-On Cutting Edges
Capacity – Rated	m <sup>3</sup>	11.50	14.50
	yd <sup>3</sup>	15.00	19.00
Capacity – Rated at 110% Fill Factor	m <sup>3</sup>	12.70	16.00
	yd <sup>3</sup>	16.50	21.00
Width	mm	4166	4434
	ft/in	13'8"	14'6"
16† Dump Clearance at Maximum Lift and 45° Discharge	mm	3168	2964
	ft/in	10'4"	9'8"
17† Reach at Maximum Lift and 45° Discharge	mm	1624	1835
	ft/in	5'3"	6'0"
Reach at Level Lift Arm and Bucket Level	mm	3494	3787
	ft/in	11'5"	12'5"
A† Digging Depth	mm	68	98
	in	2.6"	3.8"
12† Overall Length	mm	10 171	10 460
	ft/in	33'5"	34'4"
B† Overall Height with Bucket at Maximum Lift	mm	7047	7272
	ft/in	23'2"	23'11"
Loader Clearance Circle Radius with Bucket at Carry Position	mm	8542	8742
	ft/in	28'1"	28'9"
Static Tipping Load, Straight (With tire deflection)	kg	N/A	N/A
	lb	N/A	N/A
Static Tipping Load, Straight (No tire deflection)	kg	26 403	25 232
	lb	58,192	55,612
Static Tipping Load, Articulated (With tire deflection)	kg	N/A	N/A
	lb	N/A	N/A
Static Tipping Load, Articulated (No tire deflection)	kg	23 245	22 105
	lb	51,232	48,721
Breakout Force (§)	kN	190	153
	lbf	42,911	34,500
Operating Weight*	kg	37 985	38 806
	lb	83,717	85,529

\* Static tipping loads and operating weights shown are based on a machine configuration with Brawler 29.5X25 Smooth solid tires, full fluids, operator, cab precleaner, fabricated counterweight with rear guard, flat window glass with front guard, industrial package, ride control, standard starting, narrow fenders, turbine engine precleaner, Product Link, front limited slip differentials, power train guard, standard steering, industrial sound suppression and variable pitch fan.

† Illustration shown with Dimension charts.

(§) Measured 100 mm (4") behind tip of cutting edge with bucket hinge pin as pivot point in accordance with ISO 14397-2:2007.

(With tire deflection) Full compliance to ISO 14397-1:2007 Sections 1 thru 6, which requires 2% verification between calculations and testing.

(No tire deflection) Compliance to ISO 14397-1:2007 Sections 1 thru 5.

Other buckets are available and offerings vary by region. Consult your local Cat dealer for further details.



# 980 Waste & Scrap Handler Specifications

## Fork Specifications

### Fork Specifications

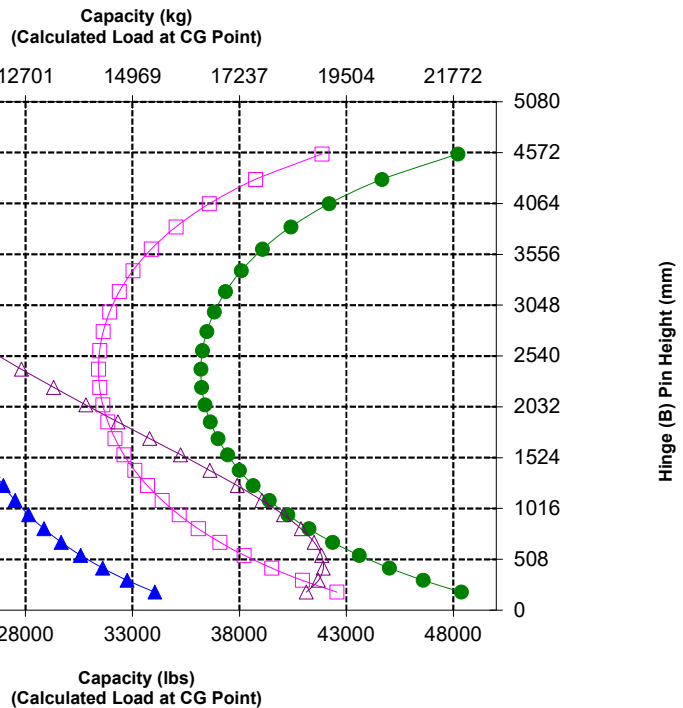
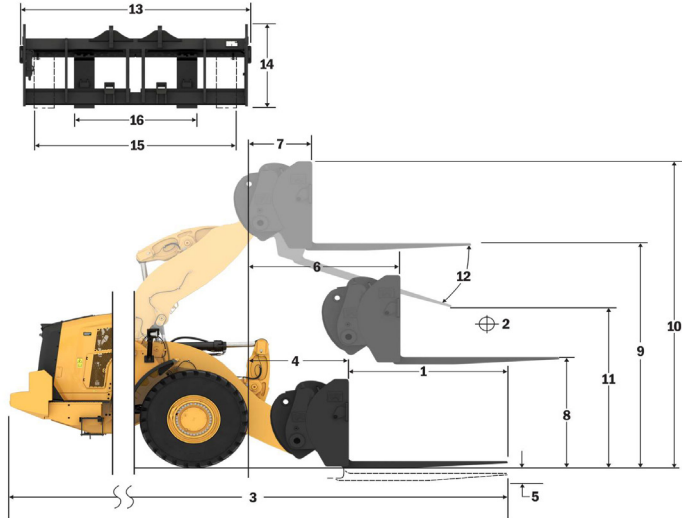
1	Tine Length	mm	2438
		in	96.0
2	Load Center	mm	1219
		in	48.0
	Static Tipping Load - Straight (Forks Level)	kg	16418
		lbs	36184
	Static Tipping Load - Articulated (Forks Level)	kg	14249
		lbs	31405
	Rated Load (SAE J1197 - 50% FTSTL)	kg	6761
		lbs	14902
	Rated Load (CEN EN 474-3 Rough Terrain - 60% FTSTL)	kg	6761
		lbs	14902
	Rated Load (CEN EN 474-3 Firm and Level Ground - 80% FTSTL)	kg	6761
		lbs	14902
3	Maximum Overall Length	mm	11113
		in	437.5
4	Reach with Forks at Ground Level	mm	1345
		in	53.0
5	*Ground to Bottom of Tine at Minimum Height and Fork Level	mm	-138
		in	-5.5
6	Reach with Arms Horizontal and Forks Level	mm	1870
		in	73.6
7	Reach with Fork at Maximum Height	mm	943
		in	37.1
8	Ground to Top of Tine with Arms Horizontal and Fork Level	mm	2174
		in	85.6
9	Ground to Top of Tine at Maximum Height and Fork Level	mm	4442
		in	174.9
10	Overall Height of Fork at Full Lift (top of carriage to ground)	mm	5814
		in	228.9
11	Clearance at Full Lift and Max Dump	mm	1871
		in	73.7
12	Max Discharge Angle from Horizontal	deg	58
13	Overall Carriage Width	mm	2751
		in	108.3
14	Overall Carriage Height	mm	1575
		in	62.0
15	Outside Tine Width (max spread)	mm	2671
		in	105.1
16	Outside Tine Width (min spread)	mm	849
		in	33.4
	Tine Width (single tine)	mm	88.9
		in	3.5
	Tine Thickness	mm	203.2
		in	8.0
	Tine Capacity	kg	11068
		lbs	24393
	Operating Weight	kg	36462
		lbs	80363

\*Negative values indicate below grade

## 980 IW STD

Pallet Fork, Pin-On

96" Tine  
473-9104



**WARNING:** Do not exceed tine load capacity. Individual tine capacity is stamped on the side of each tine.

# 980 Waste & Scrap Handler Specifications

## Fork Specifications

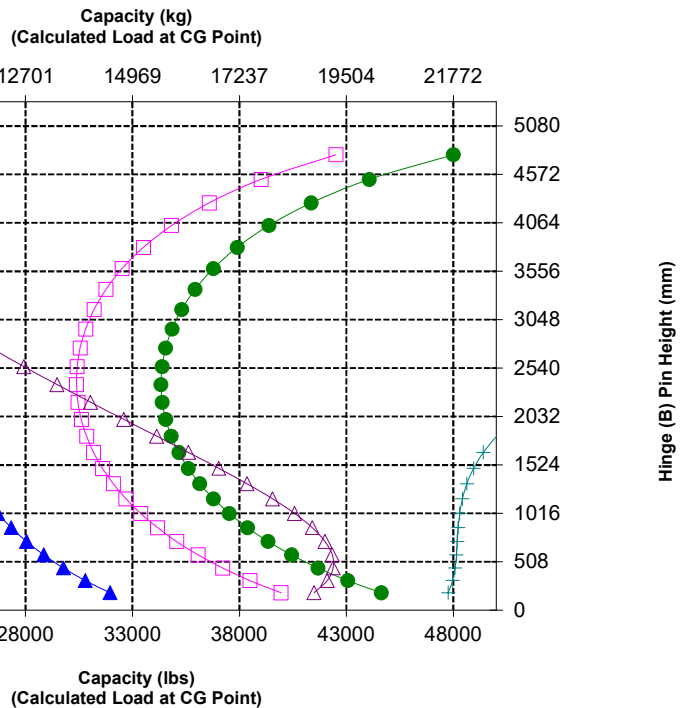
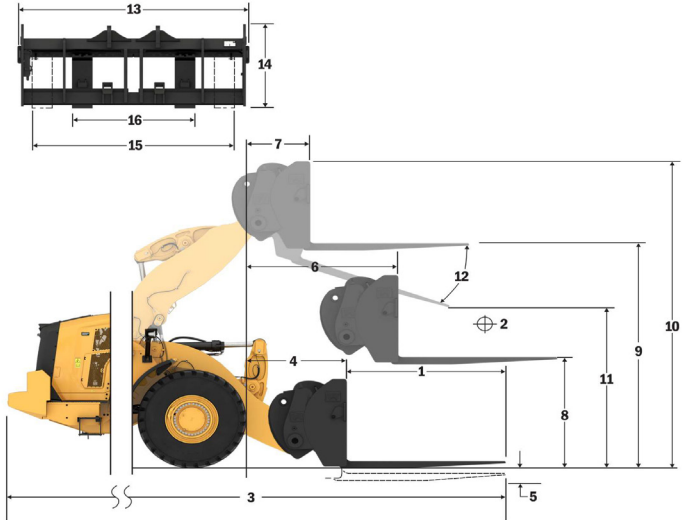
### Fork Specifications

1	Tine Length	mm	2438
		in	96.0
2	Load Center	mm	1219
		in	48.0
	Static Tipping Load - Straight (Forks Level)	kg	15574
		lbs	34326
	Static Tipping Load - Articulated (Forks Level)	kg	13783
		lbs	30378
	Rated Load (SAE J1197 - 50% FTSTL)	kg	6586
		lbs	14515
	Rated Load (CEN EN 474-3 Rough Terrain - 60% FTSTL)	kg	6586
		lbs	14515
	Rated Load (CEN EN 474-3 Firm and Level Ground - 80% FTSTL)	kg	6586
		lbs	14515
3	Maximum Overall Length	mm	11302
		in	444.9
4	Reach with Forks at Ground Level	mm	1534
		in	60.4
5	*Ground to Bottom of Tine at Minimum Height and Fork Level	mm	-137
		in	-5.4
6	Reach with Arms Horizontal and Forks Level	mm	2030
		in	79.9
7	Reach with Fork at Maximum Height	mm	946
		in	37.2
8	Ground to Top of Tine with Arms Horizontal and Fork Level	mm	2174
		in	85.6
9	Ground to Top of Tine at Maximum Height and Fork Level	mm	4663
		in	183.6
10	Overall Height of Fork at Full Lift (top of carriage to ground)	mm	6035
		in	237.6
11	Clearance at Full Lift and Max Dump	mm	2334
		in	91.9
12	Max Discharge Angle from Horizontal	deg	49
13	Overall Carriage Width	mm	2751
		in	108.3
14	Overall Carriage Height	mm	1575
		in	62.0
15	Outside Tine Width (max spread)	mm	2671
		in	105.1
16	Outside Tine Width (min spread)	mm	849
		in	33.4
	Tine Width (single tine)	mm	88.9
		in	3.5
	Tine Thickness	mm	203.2
		in	8.0
	Tine Capacity	kg	11068
		lbs	24393
	Operating Weight	kg	36596
		lbs	80657

\*Negative values indicate below grade

## 980 IW HL Pallet Fork, Pin-On

96" Tine  
473-9104



NOTE: Static tipping loads and operating weight are based on the following loader configuration: Brawler Smooth Solid Tires, Air Conditioning, Ride Control, Powertrain Guard, Full Fluids, Fuel Tank, Coolant, Lubricants, and Operator.

Specifications and ratings conform to the following standards: SAE\* J1197, ISO 14397-1, CEN\*\* EN 474-3.

The rated operating load for a loader equipped with a pallet fork is determined by:  
SAE J1197: 50% of full turn static tipping load or hydraulic limit.  
CEN EN 474-3: 60% of full turn static tipping load on rough terrain or hydraulic limit.  
CEN EN 474-3: 80% of full turn static tipping load on firm and level ground or hydraulic limit.

\*SAE - Society of Automotive Engineers  
\*\*CEN - European Committee for Standardization



**WARNING:** Do not exceed tine load capacity. Individual tine capacity is stamped on the side of each tine.

# 980 Waste & Scrap Handler Specifications

## Fork Specifications

### Fork Specifications

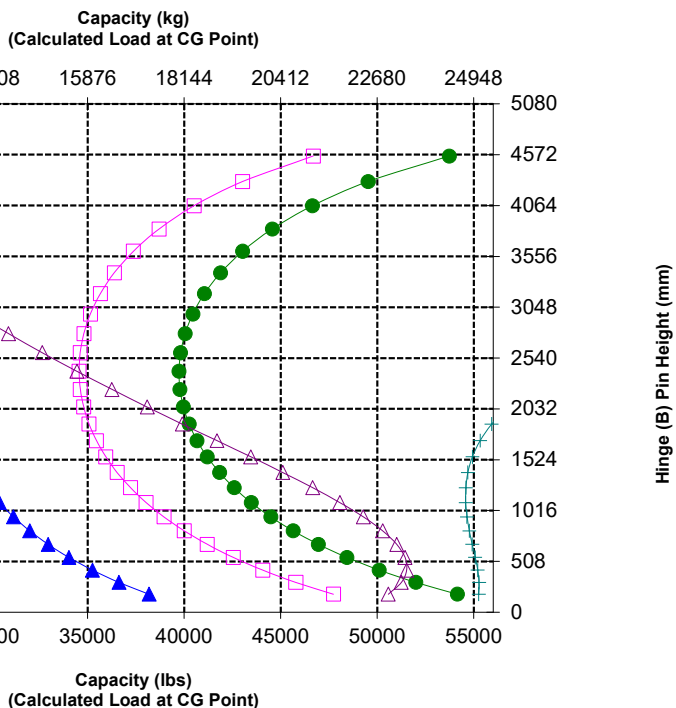
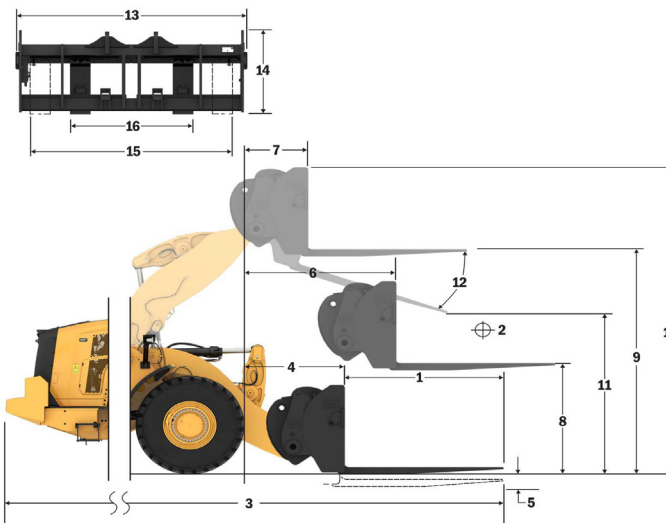
1	Tine Length	mm	1829
		in	72.0
2	Load Center	mm	914
		in	36.0
	Static Tipping Load - Straight (Forks Level)	kg	18021
		lbs	39719
	Static Tipping Load - Articulated (Forks Level)	kg	15675
		lbs	34548
	Rated Load (SAE J1197 - 50% FTSTL)	kg	7838
		lbs	17274
	Rated Load (CEN EN 474-3 Rough Terrain - 60% FTSTL)	kg	8530
		lbs	18799
	Rated Load (CEN EN 474-3 Firm and Level Ground - 80% FTSTL)	kg	8530
		lbs	18799
3	Maximum Overall Length	mm	10507
		in	413.7
4	Reach with Forks at Ground Level	mm	1349
		in	53.1
5	*Ground to Bottom of Tine at Minimum Height and Fork Level	mm	-145
		in	-5.7
6	Reach with Arms Horizontal and Forks Level	mm	1870
		in	73.6
7	Reach with Fork at Maximum Height	mm	943
		in	37.1
8	Ground to Top of Tine with Arms Horizontal and Fork Level	mm	2167
		in	85.3
9	Ground to Top of Tine at Maximum Height and Fork Level	mm	4436
		in	174.6
10	Overall Height of Fork at Full Lift (top of carriage to ground)	mm	5814
		in	228.9
11	Clearance at Full Lift and Max Dump	mm	2386
		in	93.9
12	Max Discharge Angle from Horizontal	deg	58
13	Overall Carriage Width	mm	2751
		in	108.3
14	Overall Carriage Height	mm	1581
		in	62.3
15	Outside Tine Width (max spread)	mm	2671
		in	105.1
16	Outside Tine Width (min spread)	mm	849
		in	33.4
	Tine Width (single tine)	mm	88.9
		in	3.5
	Tine Thickness	mm	203.2
		in	8.0
	Tine Capacity	kg	14742
		lbs	32491
	Operating Weight	kg	36230
		lbs	79852

\*Negative values indicate below grade

## 980 IW STD

Pallet Fork, Pin-On

72" Tine  
473-9106



**WARNING:** Do not exceed tine load capacity. Individual tine capacity is stamped on the side of each tine.

# 980 Waste & Scrap Handler Specifications

## Fork Specifications

### Fork Specifications

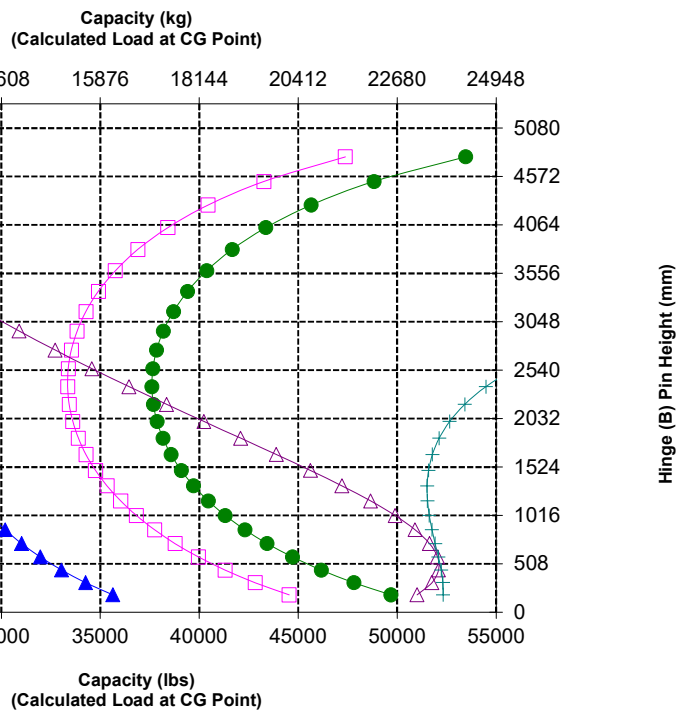
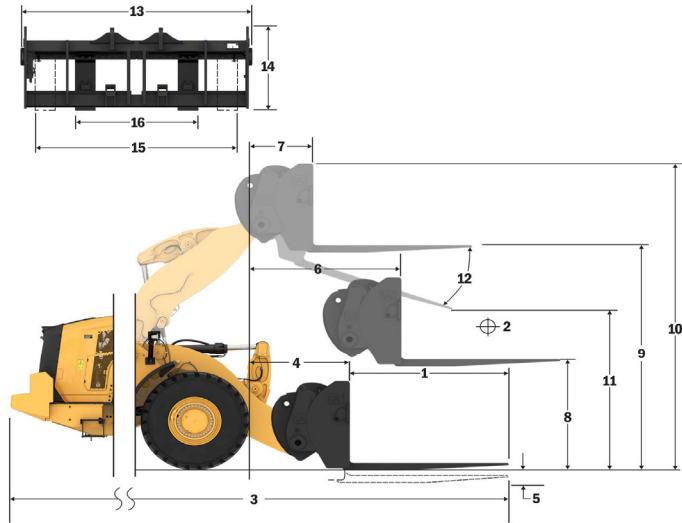
1	Tine Length	mm	1829
		in	72.0
2	Load Center	mm	914
		in	36.0
	Static Tipping Load - Straight (Forks Level)	kg	17059
		lbs	37597
	Static Tipping Load - Articulated (Forks Level)	kg	15127
		lbs	33339
	Rated Load (SAE J1197 - 50% FTSTL)	kg	7563
		lbs	16670
	Rated Load (CEN EN 474-3 Rough Terrain - 60% FTSTL)	kg	8317
		lbs	18330
	Rated Load (CEN EN 474-3 Firm and Level Ground - 80% FTSTL)	kg	8317
		lbs	18330
3	Maximum Overall Length	mm	10696
		in	421.1
4	Reach with Forks at Ground Level	mm	1538
		in	60.6
5	*Ground to Bottom of Tine at Minimum Height and Fork Level	mm	-143
		in	-5.6
6	Reach with Arms Horizontal and Forks Level	mm	2030
		in	79.9
7	Reach with Fork at Maximum Height	mm	946
		in	37.2
8	Ground to Top of Tine with Arms Horizontal and Fork Level	mm	2167
		in	85.3
9	Ground to Top of Tine at Maximum Height and Fork Level	mm	4657
		in	183.3
10	Overall Height of Fork at Full Lift (top of carriage to ground)	mm	6035
		in	237.6
11	Clearance at Full Lift and Max Dump	mm	2789
		in	109.8
12	Max Discharge Angle from Horizontal	deg	49
13	Overall Carriage Width	mm	2751
		in	108.3
14	Overall Carriage Height	mm	1581
		in	62.3
15	Outside Tine Width (max spread)	mm	2671
		in	105.1
16	Outside Tine Width (min spread)	mm	849
		in	33.4
	Tine Width (single tine)	mm	88.9
		in	3.5
	Tine Thickness	mm	203.2
		in	8.0
	Tine Capacity	kg	14742
		lbs	32491
	Operating Weight	kg	36364
		lbs	80146

\*Negative values indicate below grade

## 980 IW HL

Pallet Fork, Pin-On

72" Tine  
473-9106



NOTE: Static tipping loads and operating weight are based on the following loader configuration: Brawler Smooth Solid Tires, Air Conditioning, Ride Control, Powertrain Guard, Full Fluids, Fuel Tank, Coolant, Lubricants, and Operator.

Specifications and ratings conform to the following standards: SAE\* J1197, ISO 14397-1, CEN\*\* EN 474-3.

The rated operating load for a loader equipped with a pallet fork is determined by:  
SAE J1197: 50% of full turn static tipping load or hydraulic limit.  
CEN EN 474-3: 60% of full turn static tipping load on rough terrain or hydraulic limit.  
CEN EN 474-3: 80% of full turn static tipping load on firm and level ground or hydraulic limit.

\*SAE - Society of Automotive Engineers  
\*\*CEN - European Committee for Standardization



**WARNING:** Do not exceed tine load capacity. Individual tine capacity is stamped on the side of each tine.

# 980 Waste & Scrap Handler Specifications

## Fork Specifications

### Fork Specifications

1	Tine Length	mm	1524
		in	60.0
2	Load Center	mm	762
		in	30.0
	Static Tipping Load - Straight (Forks Level)	kg	19578
		lbs	43150
	Static Tipping Load - Articulated (Forks Level)	kg	17112
		lbs	37714
	Rated Load (SAE J1197 - 50% FTSTL)	kg	8556
		lbs	18857
	Rated Load (CEN EN 474-3 Rough Terrain - 60% FTSTL)	kg	9398
		lbs	20714
	Rated Load (CEN EN 474-3 Firm and Level Ground - 80% FTSTL)	kg	9398
		lbs	20714
3	Maximum Overall Length	mm	10078
		in	396.8
4	Reach with Forks at Ground Level	mm	1225
		in	48.2
5	*Ground to Bottom of Tine at Minimum Height and Fork Level	mm	-146
		in	-5.8
6	Reach with Arms Horizontal and Forks Level	mm	1839
		in	72.4
7	Reach with Fork at Maximum Height	mm	913
		in	35.9
8	Ground to Top of Tine with Arms Horizontal and Fork Level	mm	2028
		in	79.8
9	Ground to Top of Tine at Maximum Height and Fork Level	mm	4297
		in	169.2
10	Overall Height of Fork at Full Lift (top of carriage to ground)	mm	5072
		in	199.7
11	Clearance at Full Lift and Max Dump	mm	2897
		in	114.1
12	Max Discharge Angle from Horizontal	deg	45
13	Overall Carriage Width	mm	2217
		in	87.3
14	Overall Carriage Height	mm	840
		in	33.1
15	Outside Tine Width (max spread)	mm	2070
		in	81.5
16	Outside Tine Width (min spread)	mm	470
		in	18.5
	Tine Width (single tine)	mm	150.0
		in	5.9
	Tine Thickness	mm	65.0
		in	2.6
	Tine Capacity	kg	6300
		lbs	13885
	Operating Weight	kg	35514
		lbs	78274

\*Negative values indicate below grade

## 980 IW STD

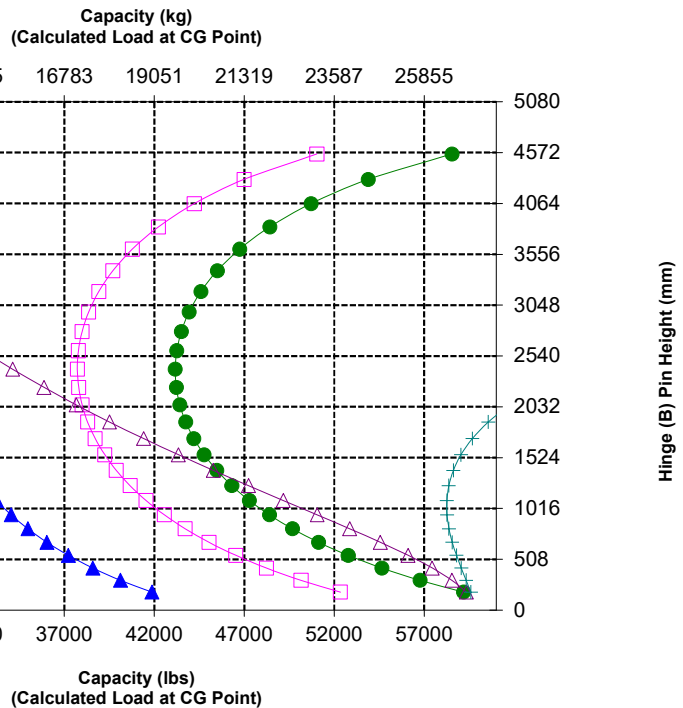
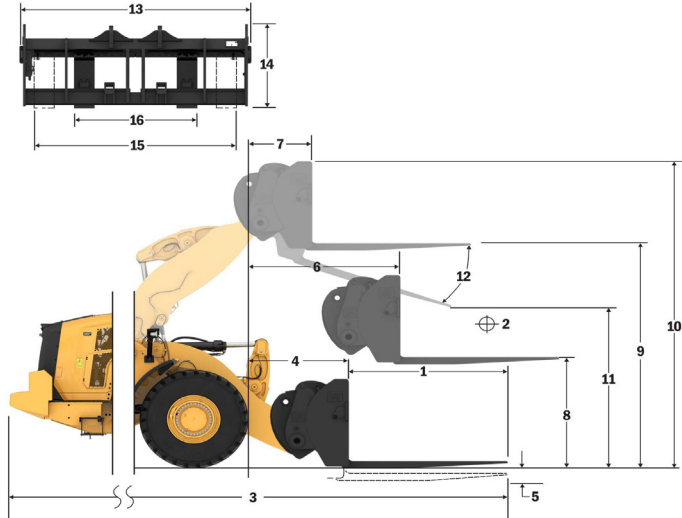
Pallet Fork, FUSION

87" Carriage

60" Tine

530-1861

548-3265



**WARNING:** Do not exceed tine load capacity. Individual tine capacity is stamped on the side of each tine.

# 980 Waste & Scrap Handler Specifications

## Fork Specifications

### Fork Specifications

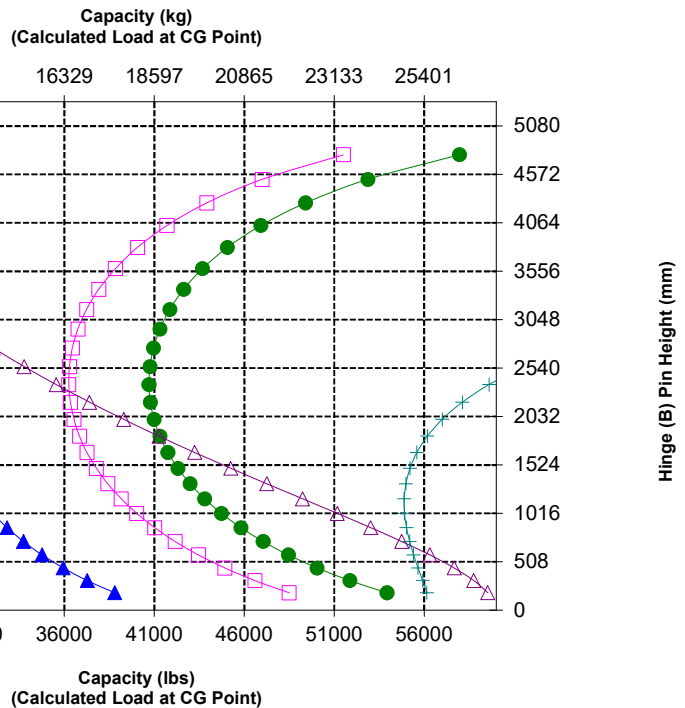
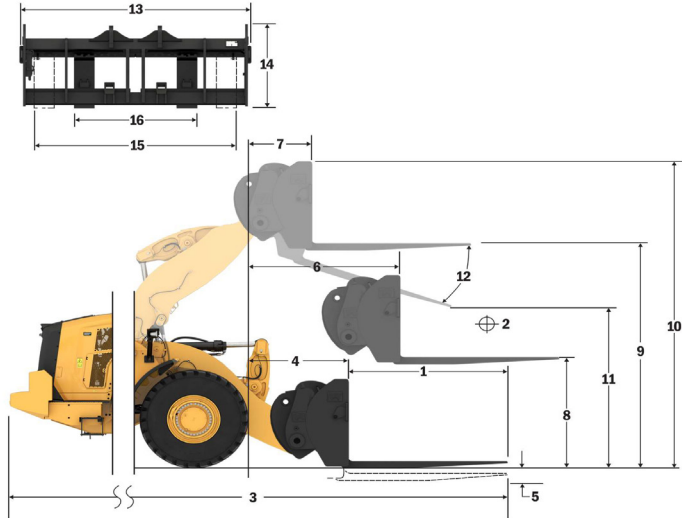
1	Tine Length	mm	1524
		in	60.0
2	Load Center	mm	762
		in	30.0
	Static Tipping Load - Straight (Forks Level)	kg	18462
		lbs	40690
	Static Tipping Load - Articulated (Forks Level)	kg	16442
		lbs	36239
	Rated Load (SAE J1197 - 50% FTSTL)	kg	8221
		lbs	18120
	Rated Load (CEN EN 474-3 Rough Terrain - 60% FTSTL)	kg	8989
		lbs	19811
	Rated Load (CEN EN 474-3 Firm and Level Ground - 80% FTSTL)	kg	8989
		lbs	19811
3	Maximum Overall Length	mm	10287
		in	405.0
4	Reach with Forks at Ground Level	mm	1434
		in	56.4
5	*Ground to Bottom of Tine at Minimum Height and Fork Level	mm	-145
		in	-5.7
6	Reach with Arms Horizontal and Forks Level	mm	2012
		in	79.2
7	Reach with Fork at Maximum Height	mm	928
		in	36.5
8	Ground to Top of Tine with Arms Horizontal and Fork Level	mm	2028
		in	79.8
9	Ground to Top of Tine at Maximum Height and Fork Level	mm	4517
		in	177.8
10	Overall Height of Fork at Full Lift (top of carriage to ground)	mm	5292
		in	208.3
11	Clearance at Full Lift and Max Dump	mm	2996
		in	118.0
12	Max Discharge Angle from Horizontal	deg	51
13	Overall Carriage Width	mm	2217
		in	87.3
14	Overall Carriage Height	mm	840
		in	33.1
15	Outside Tine Width (max spread)	mm	2070
		in	81.5
16	Outside Tine Width (min spread)	mm	470
		in	18.5
	Tine Width (single tine)	mm	150.0
		in	5.9
	Tine Thickness	mm	65.0
		in	2.6
	Tine Capacity	kg	6300
		lbs	13885
	Operating Weight	kg	35652
		lbs	78577

\*Negative values indicate below grade

## 980 IW HL Pallet Fork, FUSION

87" Carriage  
530-1861

60" Tine  
548-3265



NOTE: Static tipping loads and operating weight are based on the following loader configuration: Brawler Smooth Solid Tires, Air Conditioning, Ride Control, Powertrain Guard, Full Fluids, Fuel Tank, Coolant, Lubricants, and Operator.

Specifications and ratings conform to the following standards: SAE\* J1197, ISO 14397-1, CEN\*\* EN 474-3.

The rated operating load for a loader equipped with a pallet fork is determined by:  
SAE J1197: 50% of full turn static tipping load or hydraulic limit.  
CEN EN 474-3: 60% of full turn static tipping load on rough terrain or hydraulic limit.  
CEN EN 474-3: 80% of full turn static tipping load on firm and level ground or hydraulic limit.

\*SAE - Society of Automotive Engineers

\*\*CEN - European Committee for Standardization



**WARNING:** Do not exceed tine load capacity. Individual tine capacity is stamped on the side of each tine.







# 980 Waste & Scrap Handler Specifications

## Fork Specifications

### Fork Specifications

1	Tine Length	mm	1830
		in	72.0
2	Load Center	mm	915
		in	36.0
	Static Tipping Load - Straight (Forks Level)	kg	17694
		lbs	38998
	Static Tipping Load - Articulated (Forks Level)	kg	15754
		lbs	34723
	Rated Load (SAE J1197 - 50% FTSTL)	kg	7877
		lbs	17361
	Rated Load (CEN EN 474-3 Rough Terrain - 60% FTSTL)	kg	7970
		lbs	17566
	Rated Load (CEN EN 474-3 Firm and Level Ground - 80% FTSTL)	kg	7970
		lbs	17566
3	Maximum Overall Length	mm	10593
		in	417.0
4	Reach with Forks at Ground Level	mm	1434
		in	56.4
5	*Ground to Bottom of Tine at Minimum Height and Fork Level	mm	-145
		in	-5.7
6	Reach with Arms Horizontal and Forks Level	mm	2012
		in	79.2
7	Reach with Fork at Maximum Height	mm	928
		in	36.5
8	Ground to Top of Tine with Arms Horizontal and Fork Level	mm	2028
		in	79.8
9	Ground to Top of Tine at Maximum Height and Fork Level	mm	4517
		in	177.8
10	Overall Height of Fork at Full Lift (top of carriage to ground)	mm	5292
		in	208.3
11	Clearance at Full Lift and Max Dump	mm	2759
		in	108.6
12	Max Discharge Angle from Horizontal	deg	51
13	Overall Carriage Width	mm	2217
		in	87.3
14	Overall Carriage Height	mm	840
		in	33.1
15	Outside Tine Width (max spread)	mm	2070
		in	81.5
16	Outside Tine Width (min spread)	mm	470
		in	18.5
	Tine Width (single tine)	mm	150.0
		in	5.9
	Tine Thickness	mm	65.0
		in	2.6
	Tine Capacity	kg	5246
		lbs	11562
	Operating Weight	kg	35699
		lbs	78680

\*Negative values indicate below grade

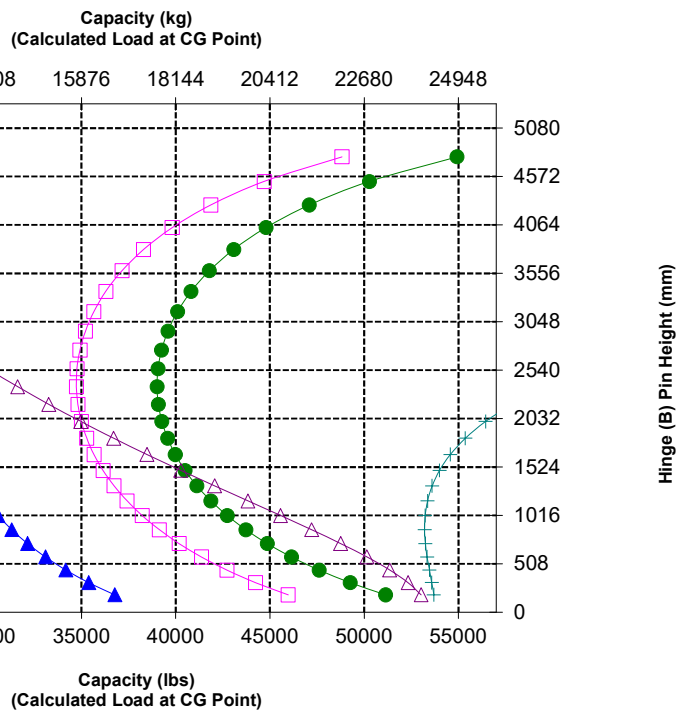
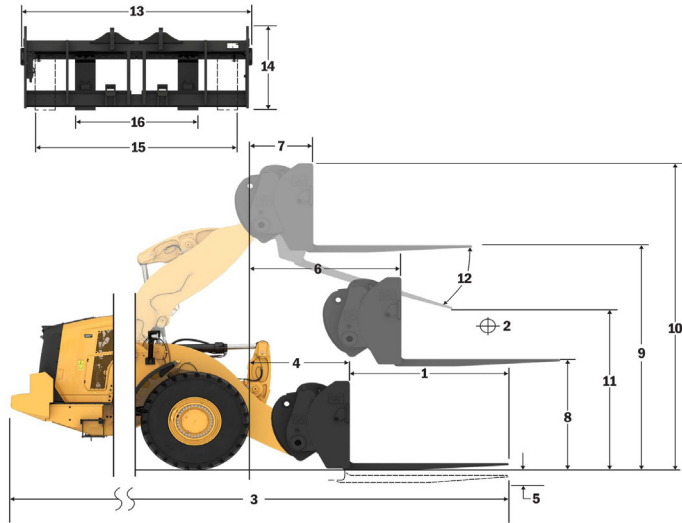
## 980 IW HL Pallet Fork, FUSION

87" Carriage

72" Tine

530-1861

530-1869



NOTE: Static tipping loads and operating weight are based on the following loader configuration: Brawler Smooth Solid Tires, Air Conditioning, Ride Control, Powertrain Guard, Full Fluids, Fuel Tank, Coolant, Lubricants, and Operator.

Specifications and ratings conform to the following standards: SAE\* J1197, ISO 14397-1, CEN\*\* EN 474-3.

The rated operating load for a loader equipped with a pallet fork is determined by:  
SAE J1197: 50% of full turn static tipping load or hydraulic limit.  
CEN EN 474-3: 60% of full turn static tipping load on rough terrain or hydraulic limit.  
CEN EN 474-3: 80% of full turn static tipping load on firm and level ground or hydraulic limit.

\*SAE - Society of Automotive Engineers  
\*\*CEN - European Committee for Standardization



**WARNING:** Do not exceed tine load capacity. Individual tine capacity is stamped on the side of each tine.

# 980 Waste & Scrap Handler Specifications

## Fork Specifications

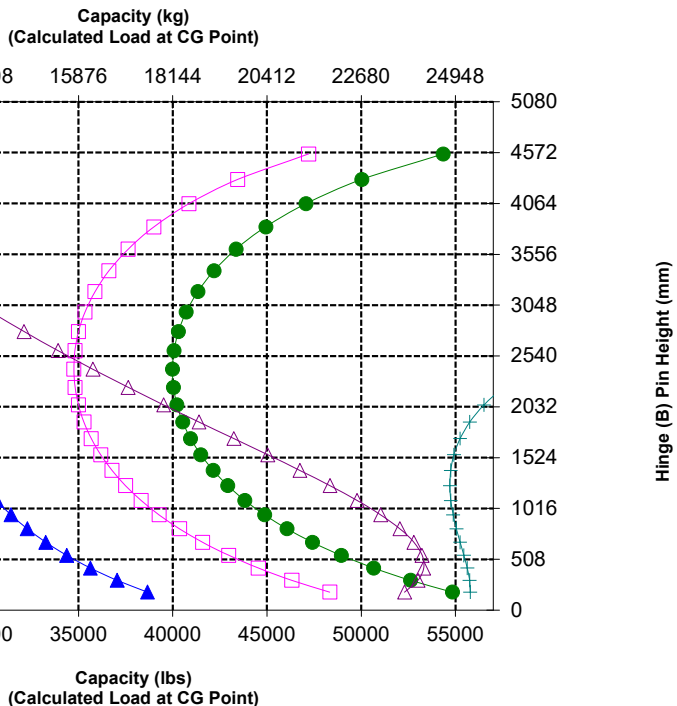
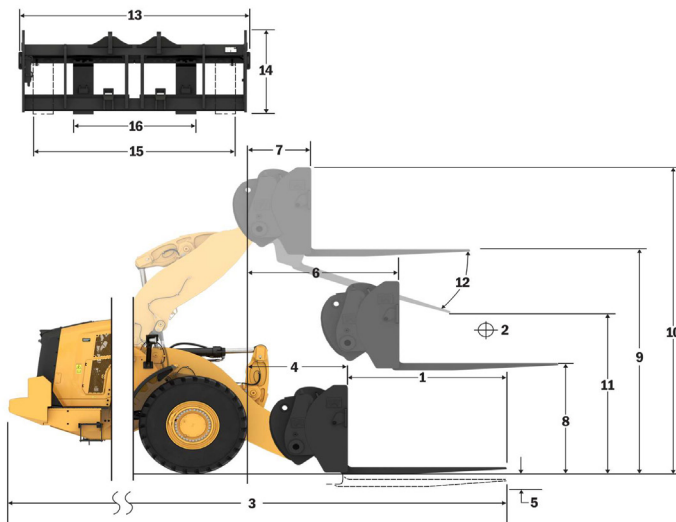
### Fork Specifications

1	Tine Length	mm	1829
		in	72.0
2	Load Center	mm	914
		in	36.0
	Static Tipping Load - Straight (Forks Level)	kg	18136
		lbs	39972
	Static Tipping Load - Articulated (Forks Level)	kg	15764
		lbs	34743
	Rated Load (SAE J1197 - 50% FTSTL)	kg	7882
		lbs	17371
	Rated Load (CEN EN 474-3 Rough Terrain - 60% FTSTL)	kg	8905
		lbs	19627
	Rated Load (CEN EN 474-3 Firm and Level Ground - 80% FTSTL)	kg	8905
		lbs	19627
3	Maximum Overall Length	mm	10347
		in	407.4
4	Reach with Forks at Ground Level	mm	1189
		in	46.8
5	*Ground to Bottom of Tine at Minimum Height and Fork Level	mm	-95
		in	-3.7
6	Reach with Arms Horizontal and Forks Level	mm	1826
		in	71.9
7	Reach with Fork at Maximum Height	mm	899
		in	35.4
8	Ground to Top of Tine with Arms Horizontal and Fork Level	mm	2099
		in	82.6
9	Ground to Top of Tine at Maximum Height and Fork Level	mm	4368
		in	172.0
10	Overall Height of Fork at Full Lift (top of carriage to ground)	mm	5412
		in	213.1
11	Clearance at Full Lift and Max Dump	mm	2502
		in	98.5
12	Max Discharge Angle from Horizontal	deg	55
13	Overall Carriage Width	mm	2821
		in	111.1
14	Overall Carriage Height	mm	1129
		in	44.4
15	Outside Tine Width (max spread)	mm	2627
		in	103.4
16	Outside Tine Width (min spread)	mm	747
		in	29.4
	Tine Width (single tine)	mm	250.0
		in	9.8
	Tine Thickness	mm	85.0
		in	3.3
	Tine Capacity	kg	18700
		lbs	41215
	Operating Weight	kg	36438
		lbs	80310

\*Negative values indicate below grade

## 980 IW STD Construction Fork, FUSION

108" Carriage 72" Tine  
523-4199 523-4200



NOTE: Static tipping loads and operating weight are based on the following loader configuration: Brawler Smooth Solid Tires, Air Conditioning, Ride Control, Powertrain Guard, Full Fluids, Fuel Tank, Coolant, Lubricants, and Operator.

Specifications and ratings conform to the following standards: SAE\* J1197, ISO 14397-1, CEN\*\* EN 474-3.

The rated operating load for a loader equipped with a pallet fork is determined by:  
SAE J1197: 50% of full turn static tipping load or hydraulic limit.  
CEN EN 474-3: 60% of full turn static tipping load on rough terrain or hydraulic limit.  
CEN EN 474-3: 80% of full turn static tipping load on firm and level ground or hydraulic limit.

\*SAE - Society of Automotive Engineers  
\*\*CEN - European Committee for Standardization



**WARNING:** Do not exceed tine load capacity. Individual tine capacity is stamped on the side of each tine.

# 980 Waste & Scrap Handler Specifications

## Fork Specifications

### Fork Specifications

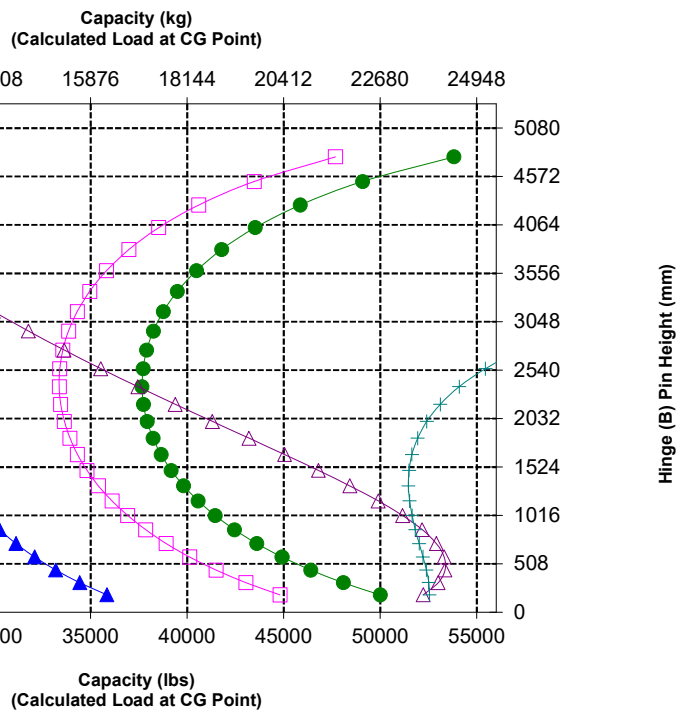
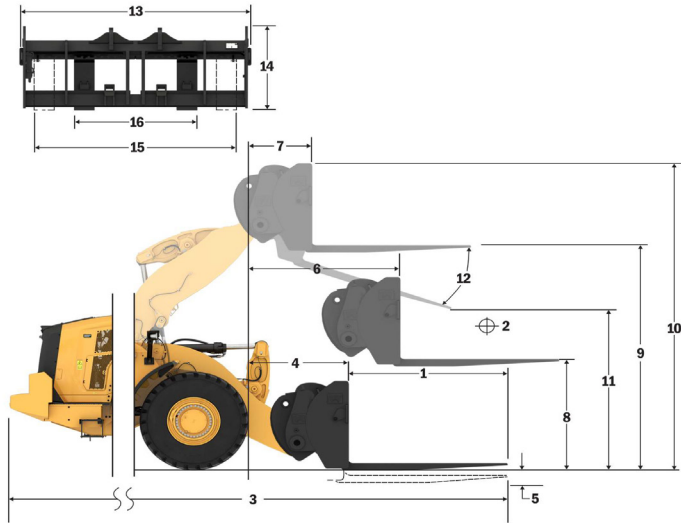
1	Tine Length	mm	1829
		in	72.0
2	Load Center	mm	914
		in	36.0
	Static Tipping Load - Straight (Forks Level)	kg	17083
		lbs	37651
	Static Tipping Load - Articulated (Forks Level)	kg	15137
		lbs	33362
	Rated Load (SAE J1197 - 50% FTSTL)	kg	7568
		lbs	16681
	Rated Load (CEN EN 474-3 Rough Terrain - 60% FTSTL)	kg	8586
		lbs	18924
	Rated Load (CEN EN 474-3 Firm and Level Ground - 80% FTSTL)	kg	8586
		lbs	18924
3	Maximum Overall Length	mm	10555
		in	415.6
4	Reach with Forks at Ground Level	mm	1397
		in	55.0
5	*Ground to Bottom of Tine at Minimum Height and Fork Level	mm	-91
		in	-3.6
6	Reach with Arms Horizontal and Forks Level	mm	1999
		in	78.7
7	Reach with Fork at Maximum Height	mm	915
		in	36.0
8	Ground to Top of Tine with Arms Horizontal and Fork Level	mm	2101
		in	82.7
9	Ground to Top of Tine at Maximum Height and Fork Level	mm	4590
		in	180.7
10	Overall Height of Fork at Full Lift (top of carriage to ground)	mm	5634
		in	221.8
11	Clearance at Full Lift and Max Dump	mm	2613
		in	102.9
12	Max Discharge Angle from Horizontal	deg	61
13	Overall Carriage Width	mm	2821
		in	111.1
14	Overall Carriage Height	mm	1129
		in	44.4
15	Outside Tine Width (max spread)	mm	2627
		in	103.4
16	Outside Tine Width (min spread)	mm	747
		in	29.4
	Tine Width (single tine)	mm	250.0
		in	9.8
	Tine Thickness	mm	85.0
		in	3.3
	Tine Capacity	kg	18700
		lbs	41215
	Operating Weight	kg	36576
		lbs	80613

\*Negative values indicate below grade

## 980 IW HL Construction Fork, FUSION

108" Carriage  
523-4199

72" Tine  
523-4200



NOTE: Static tipping loads and operating weight are based on the following loader configuration: Brawler Smooth Solid Tires, Air Conditioning, Ride Control, Powertrain Guard, Full Fluids, Fuel Tank, Coolant, Lubricants, and Operator.

Specifications and ratings conform to the following standards: SAE\* J1197, ISO 14397-1, CEN\*\* EN 474-3.

The rated operating load for a loader equipped with a pallet fork is determined by:  
SAE J1197: 50% of full turn static tipping load or hydraulic limit.  
CEN EN 474-3: 60% of full turn static tipping load on rough terrain or hydraulic limit.  
CEN EN 474-3: 80% of full turn static tipping load on firm and level ground or hydraulic limit.

\*SAE - Society of Automotive Engineers  
\*\*CEN - European Committee for Standardization



**WARNING:** Do not exceed tine load capacity. Individual tine capacity is stamped on the side of each tine.

# 980 Waste & Scrap Handler Specifications

## Fork Specifications

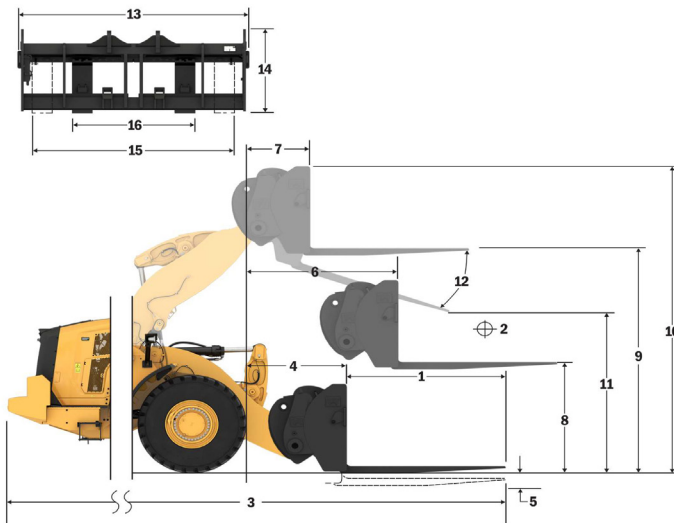
### Fork Specifications

1	Tine Length	mm	2134
		in	84.0
2	Load Center	mm	1067
		in	42.0
	Static Tipping Load - Straight (Forks Level)	kg	17316
		lbs	38165
	Static Tipping Load - Articulated (Forks Level)	kg	15038
		lbs	33144
	Rated Load (SAE J1197 - 50% FTSTL)	kg	7519
		lbs	16572
	Rated Load (CEN EN 474-3 Rough Terrain - 60% FTSTL)	kg	7914
		lbs	17442
	Rated Load (CEN EN 474-3 Firm and Level Ground - 80% FTSTL)	kg	7914
		lbs	17442
3	Maximum Overall Length	mm	10655
		in	419.5
4	Reach with Forks at Ground Level	mm	1193
		in	47.0
5	*Ground to Bottom of Tine at Minimum Height and Fork Level	mm	-95
		in	-3.7
6	Reach with Arms Horizontal and Forks Level	mm	1826
		in	71.9
7	Reach with Fork at Maximum Height	mm	899
		in	35.4
8	Ground to Top of Tine with Arms Horizontal and Fork Level	mm	2104
		in	82.8
9	Ground to Top of Tine at Maximum Height and Fork Level	mm	4373
		in	172.2
10	Overall Height of Fork at Full Lift (top of carriage to ground)	mm	5412
		in	213.1
11	Clearance at Full Lift and Max Dump	mm	2251
		in	88.6
12	Max Discharge Angle from Horizontal	deg	55
13	Overall Carriage Width	mm	2821
		in	111.1
14	Overall Carriage Height	mm	1129
		in	44.4
15	Outside Tine Width (max spread)	mm	2627
		in	103.4
16	Outside Tine Width (min spread)	mm	747
		in	29.4
	Tine Width (single tine)	mm	250.0
		in	9.8
	Tine Thickness	mm	90.0
		in	3.5
	Tine Capacity	kg	17729
		lbs	39075
	Operating Weight	kg	36540
		lbs	80535

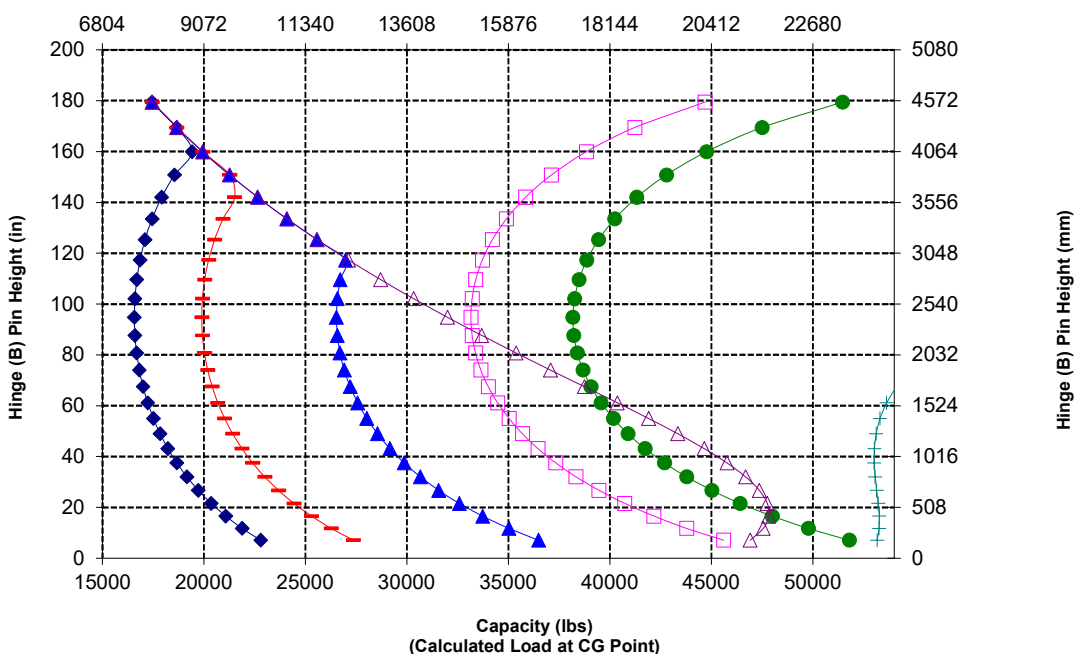
\*Negative values indicate below grade

### 980 IW STD Construction Fork, FUSION

108" Carriage 84" Tine  
523-4199 523-4201



Capacity (kg)  
(Calculated Load at CG Point)



**WARNING:** Do not exceed tine load capacity. Individual tine capacity is stamped on the side of each tine.

# 980 Waste & Scrap Handler Specifications

## Fork Specifications

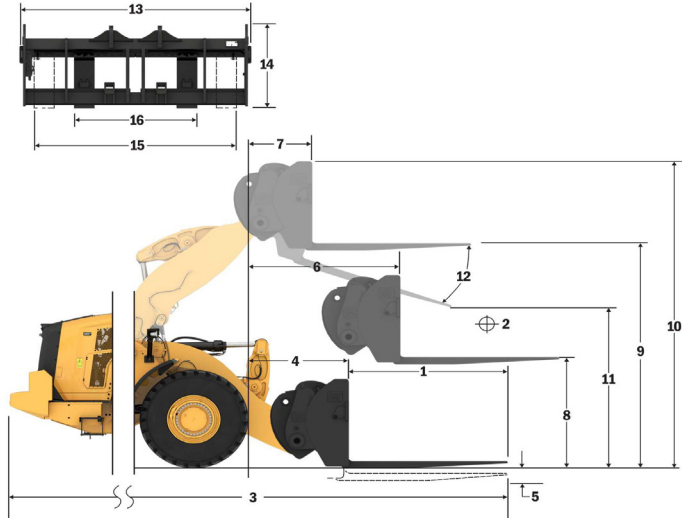
### Fork Specifications

1	Tine Length	mm	2134
		in	84.0
2	Load Center	mm	1067
		in	42.0
	Static Tipping Load - Straight (Forks Level)	kg	16333
		lbs	35997
	Static Tipping Load - Articulated (Forks Level)	kg	14461
		lbs	31871
	Rated Load (SAE J1197 - 50% FTSTL)	kg	7230
		lbs	15936
	Rated Load (CEN EN 474-3 Rough Terrain - 60% FTSTL)	kg	7633
		lbs	16824
	Rated Load (CEN EN 474-3 Firm and Level Ground - 80% FTSTL)	kg	7633
		lbs	16824
3	Maximum Overall Length	mm	10863
		in	427.7
4	Reach with Forks at Ground Level	mm	1401
		in	55.2
5	*Ground to Bottom of Tine at Minimum Height and Fork Level	mm	-91
		in	-3.6
6	Reach with Arms Horizontal and Forks Level	mm	1999
		in	78.7
7	Reach with Fork at Maximum Height	mm	915
		in	36.0
8	Ground to Top of Tine with Arms Horizontal and Fork Level	mm	2106
		in	82.9
9	Ground to Top of Tine at Maximum Height and Fork Level	mm	4595
		in	180.9
10	Overall Height of Fork at Full Lift (top of carriage to ground)	mm	5634
		in	221.8
11	Clearance at Full Lift and Max Dump	mm	2346
		in	92.4
12	Max Discharge Angle from Horizontal	deg	61
13	Overall Carriage Width	mm	2821
		in	111.1
14	Overall Carriage Height	mm	1129
		in	44.4
15	Outside Tine Width (max spread)	mm	2627
		in	103.4
16	Outside Tine Width (min spread)	mm	747
		in	29.4
	Tine Width (single tine)	mm	250.0
		in	9.8
	Tine Thickness	mm	90.0
		in	3.5
	Tine Capacity	kg	17729
		lbs	39075
	Operating Weight	kg	36678
		lbs	80838

\*Negative values indicate below grade

## 980 IW HL Construction Fork, FUSION

108" Carriage 84" Tine  
523-4199 523-4201



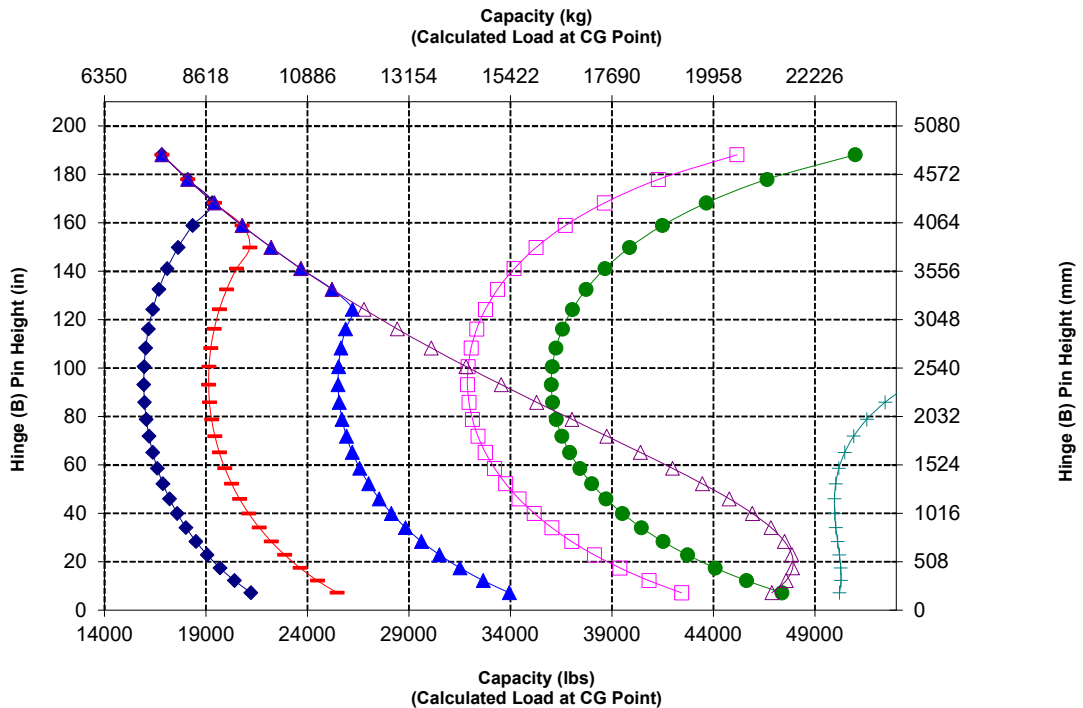
- ◆ Payload (SAE J1197)
- Payload (CEN EN 474-3 - Rough Terrain)
- ▲ Payload (CEN EN 474-3 - Firm & Level)
- ◇ Static Tipping Load - Articulated
- Static Tipping Load - Straight
- ▲ Hydraulic Tilt Capacity
- ◆ Hydraulic Lift Capacity

NOTE: Static tipping loads and operating weight are based on the following loader configuration: Brawler Smooth Solid Tires, Air Conditioning, Ride Control, Powertrain Guard, Full Fluids, Fuel Tank, Coolant, Lubricants, and Operator.

Specifications and ratings conform to the following standards: SAE\* J1197, ISO 14397-1, CEN\*\* EN 474-3.

The rated operating load for a loader equipped with a pallet fork is determined by:  
SAE J1197: 50% of full turn static tipping load or hydraulic limit.  
CEN EN 474-3: 60% of full turn static tipping load on rough terrain or hydraulic limit.  
CEN EN 474-3: 80% of full turn static tipping load on firm and level ground or hydraulic limit.

\*SAE - Society of Automotive Engineers  
\*\*CEN - European Committee for Standardization



**WARNING:** Do not exceed tine load capacity. Individual tine capacity is stamped on the side of each tine.

# 980 Waste & Scrap Handler Specifications

## Fork Specifications

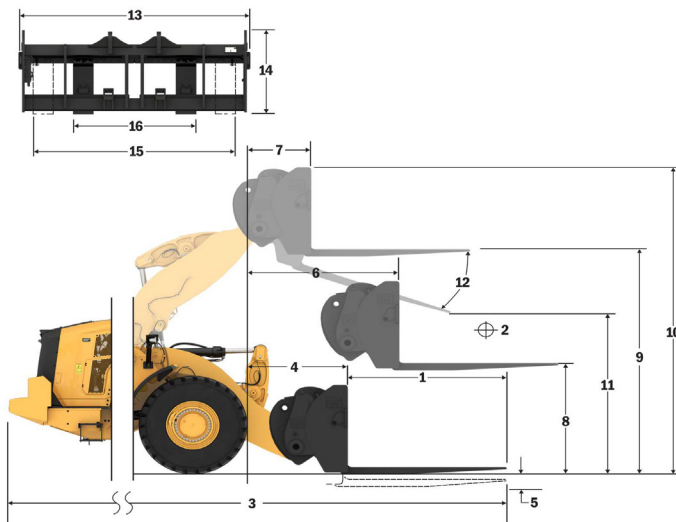
### Fork Specifications

1	Tine Length	mm	2438
		in	96.0
2	Load Center	mm	1219
		in	48.0
	Static Tipping Load - Straight (Forks Level)	kg	16496
		lbs	36358
	Static Tipping Load - Articulated (Forks Level)	kg	14307
		lbs	31532
	Rated Load (SAE J1197 - 50% FTSTL)	kg	7041
		lbs	15518
	Rated Load (CEN EN 474-3 Rough Terrain - 60% FTSTL)	kg	7041
		lbs	15518
	Rated Load (CEN EN 474-3 Firm and Level Ground - 80% FTSTL)	kg	7041
		lbs	15518
3	Maximum Overall Length	mm	10964
		in	431.7
4	Reach with Forks at Ground Level	mm	1197
		in	47.1
5	*Ground to Bottom of Tine at Minimum Height and Fork Level	mm	-93
		in	-3.7
6	Reach with Arms Horizontal and Forks Level	mm	1831
		in	72.1
7	Reach with Fork at Maximum Height	mm	904
		in	35.6
8	Ground to Top of Tine with Arms Horizontal and Fork Level	mm	2106
		in	82.9
9	Ground to Top of Tine at Maximum Height and Fork Level	mm	4375
		in	172.2
10	Overall Height of Fork at Full Lift (top of carriage to ground)	mm	5412
		in	213.1
11	Clearance at Full Lift and Max Dump	mm	1998
		in	78.6
12	Max Discharge Angle from Horizontal	deg	55
13	Overall Carriage Width	mm	2821
		in	111.1
14	Overall Carriage Height	mm	1127
		in	44.4
15	Outside Tine Width (max spread)	mm	2629
		in	103.5
16	Outside Tine Width (min spread)	mm	747
		in	29.4
	Tine Width (single tine)	mm	250.0
		in	9.8
	Tine Thickness	mm	90.0
		in	3.5
	Tine Capacity	kg	15750
		lbs	34713
	Operating Weight	kg	36691
		lbs	80868

\*Negative values indicate below grade

## 980 IW STD Construction Fork, FUSION

108" Carriage 96" Tine  
523-4199 523-4202



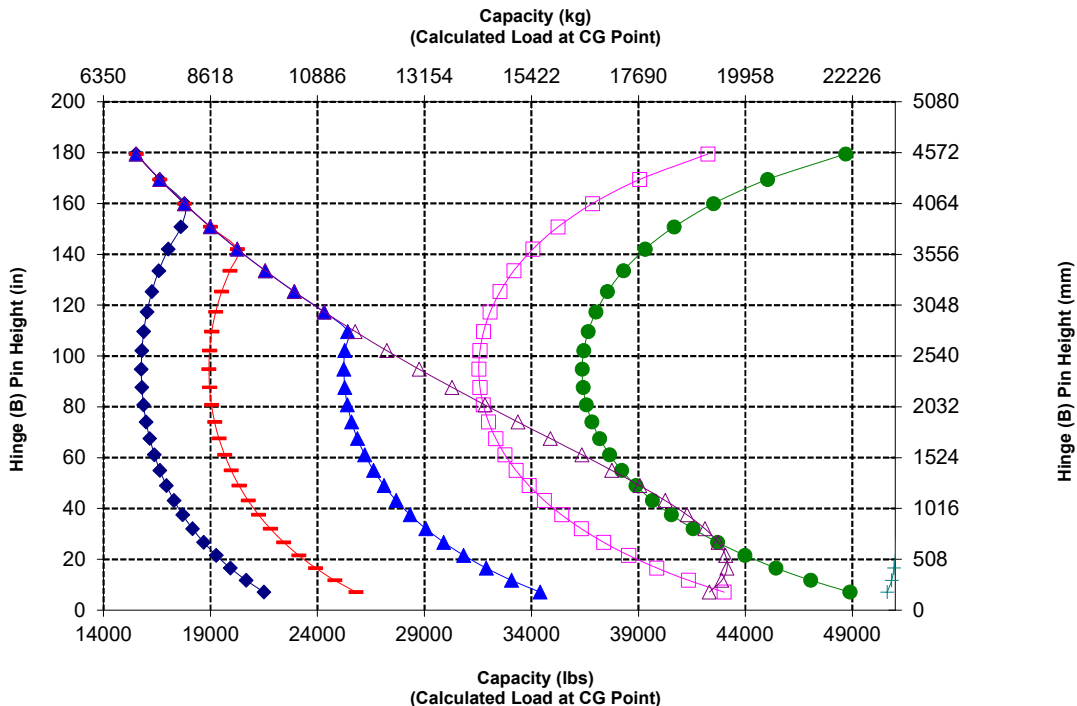
- ◆ Payload (SAE J1197)
- Payload (CEN EN 474-3 - Rough Terrain)
- ▲ Payload (CEN EN 474-3 - Firm & Level)
- ◇ Static Tipping Load - Articulated
- Static Tipping Load - Straight
- ▲ Hydraulic Lift Capacity
- ◆ Hydraulic Lift Capacity

NOTE: Static tipping loads and operating weight are based on the following loader configuration: Brawler Smooth Solid Tires, Air Conditioning, Ride Control, Powertrain Guard, Full Fluids, Fuel Tank, Coolant, Lubricants, and Operator.

Specifications and ratings conform to the following standards: SAE\* J1197, ISO 14397-1, CEN\*\* EN 474-3.

The rated operating load for a loader equipped with a pallet fork is determined by:  
SAE J1197: 50% of full turn static tipping load or hydraulic limit.  
CEN EN 474-3: 60% of full turn static tipping load on rough terrain or hydraulic limit.  
CEN EN 474-3: 80% of full turn static tipping load on firm and level ground or hydraulic limit.

\*SAE - Society of Automotive Engineers  
\*\*CEN - European Committee for Standardization



**WARNING:** Do not exceed tine load capacity. Individual tine capacity is stamped on the side of each tine.



# 980 Waste & Scrap Handler Specifications

## Fork Specifications

### Fork Specifications

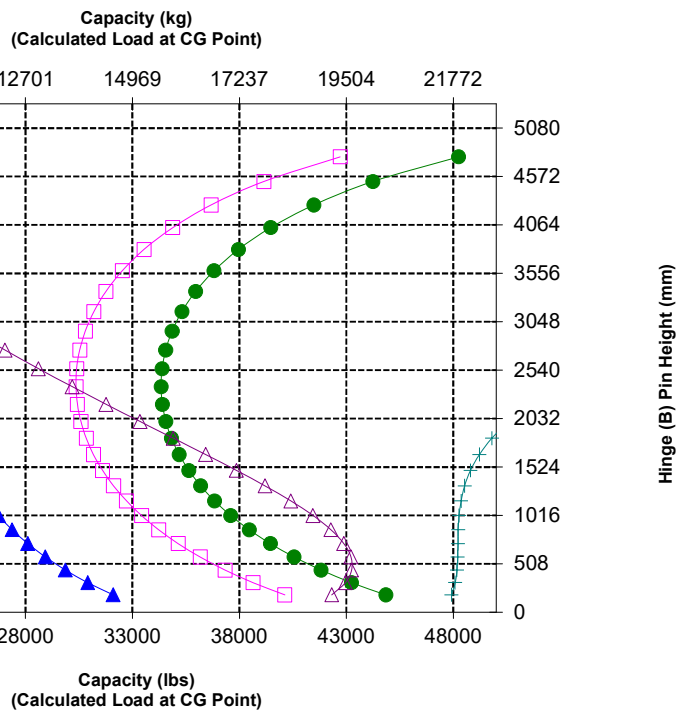
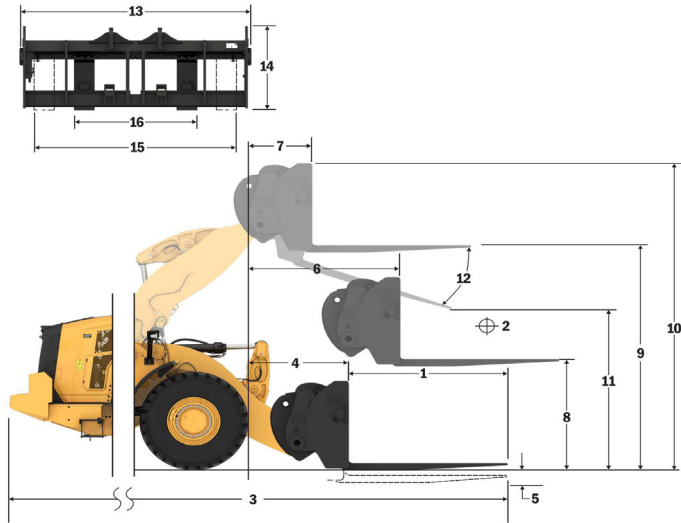
1	Tine Length	mm	2438
		in	96.0
2	Load Center	mm	1219
		in	48.0
	Static Tipping Load - Straight (Forks Level)	kg	15576
		lbs	34328
	Static Tipping Load - Articulated (Forks Level)	kg	13773
		lbs	30356
	Rated Load (SAE J1197 - 50% FTSTL)	kg	6791
		lbs	14967
	Rated Load (CEN EN 474-3 Rough Terrain - 60% FTSTL)	kg	6791
		lbs	14967
	Rated Load (CEN EN 474-3 Firm and Level Ground - 80% FTSTL)	kg	6791
		lbs	14967
3	Maximum Overall Length	mm	11172
		in	439.8
4	Reach with Forks at Ground Level	mm	1405
		in	55.3
5	*Ground to Bottom of Tine at Minimum Height and Fork Level	mm	-89
		in	-3.5
6	Reach with Arms Horizontal and Forks Level	mm	2004
		in	78.9
7	Reach with Fork at Maximum Height	mm	920
		in	36.2
8	Ground to Top of Tine with Arms Horizontal and Fork Level	mm	2108
		in	83.0
9	Ground to Top of Tine at Maximum Height and Fork Level	mm	4597
		in	181.0
10	Overall Height of Fork at Full Lift (top of carriage to ground)	mm	5634
		in	221.8
11	Clearance at Full Lift and Max Dump	mm	2076
		in	81.7
12	Max Discharge Angle from Horizontal	deg	61
13	Overall Carriage Width	mm	2821
		in	111.1
14	Overall Carriage Height	mm	1127
		in	44.4
15	Outside Tine Width (max spread)	mm	2629
		in	103.5
16	Outside Tine Width (min spread)	mm	747
		in	29.4
	Tine Width (single tine)	mm	250.0
		in	9.8
	Tine Thickness	mm	90.0
		in	3.5
	Tine Capacity	kg	15750
		lbs	34713
	Operating Weight	kg	36829
		lbs	81171

\*Negative values indicate below grade

## 980 IW HL Construction Fork, FUSION

108" Carriage  
523-4199

96" Tine  
523-4202



NOTE: Static tipping loads and operating weight are based on the following loader configuration: Brawler Smooth Solid Tires, Air Conditioning, Ride Control, Powertrain Guard, Full Fluids, Fuel Tank, Coolant, Lubricants, and Operator.

Specifications and ratings conform to the following standards: SAE\* J1197, ISO 14397-1, CEN\*\* EN 474-3.

The rated operating load for a loader equipped with a pallet fork is determined by:  
SAE J1197: 50% of full turn static tipping load or hydraulic limit.  
CEN EN 474-3: 60% of full turn static tipping load on rough terrain or hydraulic limit.  
CEN EN 474-3: 80% of full turn static tipping load on firm and level ground or hydraulic limit.

\*SAE - Society of Automotive Engineers  
\*\*CEN - European Committee for Standardization



**WARNING:** Do not exceed tine load capacity. Individual tine capacity is stamped on the side of each tine.





# 980

## Forestry Machine

**Millyard applications demand the additional performance, productivity, and safety that Cat forestry wheel loaders deliver.**

### Proven Reliability

- Cat C13 engine offers increased power density with a combination of proven electronic fuel and air systems.
- Thorough component design and machine validation processes result in unmatched reliability and uptime.

### Durability

- Heavy-duty transmission and axles designed to handle extreme applications.
- Automatic planetary powershift (4F/4R) transmission features durable, long-lasting components.

### Superior Fuel Efficiency & Productivity

- Forestry package includes additional counterweight, heavier rear frame, larger tilt cylinders, shorter tilt links, and an extreme service transmission to increase machine capacity over the base model.
- Optional variable pitch fan and high debris coolers minimize the potential for overheating and reduce downtime for radiator clean out in high debris applications.
- Optional 3rd valve auxiliary hydraulics to control work tools requiring the additional function.
- Extreme service powershift transmission with lock-up clutch increases fuel efficiency while delivering optimal performance.
- Single clutch and lock-to-lock shifting for faster acceleration and speed on grades.
- Automatic idle engine shutdown system significantly reduces idle time, overall operating hours, and fuel consumption.
- Optional limited slip differentials increase traction and reduce tire slip, lowering operating costs.
- Deeply integrated engine, power train, and hydraulic systems deliver unmatched productivity and fuel efficiency.

### Safety Features

- Rearview camera enhances visibility behind the machine, helping you work safely and confidently.
- Optional multiview (360°) vision system helps the operator monitor the surroundings of the machine at all times.
- Optional Cat Detect radar technology enhances awareness by monitoring the working environment and alerts operators to hazards.
- Cab access with wide door, optional remote door opening, and stair-like steps add solid stability.
- Floor-to-ceiling windshield, large mirrors with integrated spot mirrors, and rearview camera provide industry leading all-around visibility.
- Optional access light and under-hood service light system to provide illuminated access to the machine and daily checks even in the dark.

### Reduced Maintenance Time and Costs

- Extended fluid and filter change intervals reduce maintenance costs by up to 20%.
- Remote Troubleshoot can connect the machine to the dealer service department to help diagnose problems quickly so you can get back to work.
- Remote Flash works around your schedule to ensure your machine's software is up to date for optimal performance.
- The Cat App helps you manage fleet location, hours, and maintenance schedules; it also alerts you for required maintenance and allows you to request service from your local Cat dealer.
- One-piece tilting hood makes engine compartment access fast and easy.

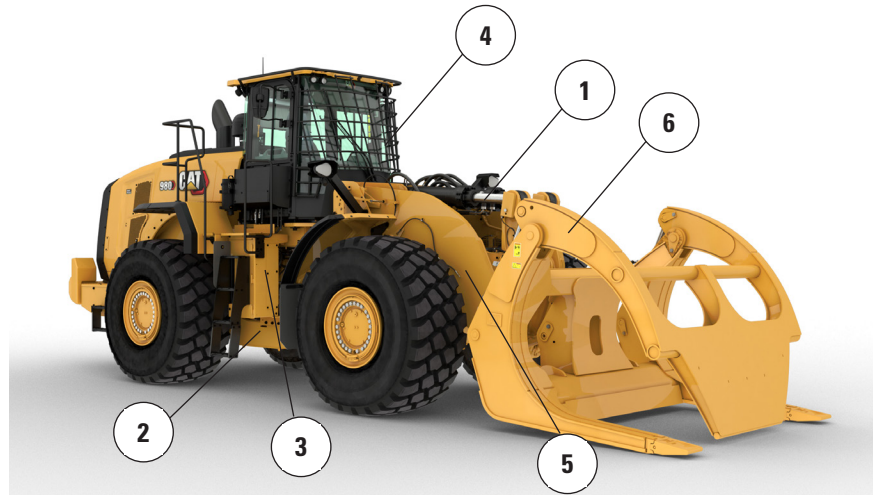
### Work in Comfort in the All New Cab

- Next-generation, easily adjustable seat and suspension for improved operator comfort. It comes in three trim levels and can be equipped with a 4-point harness.
- New in-cab dashboard and high-resolution touch display(s) are easy to use, intuitive, and user friendly.
- Sound suppression, seals, and viscous cab mounts decrease noise and vibration for a quieter work environment.
- The seat-mounted electro-hydraulic joystick steering system provides precision control and dramatically reduces arm fatigue, resulting in excellent comfort and accuracy. An HMU steering wheel is also available.

# 980 Forestry Machine Specifications

## 980 Forestry Machine Features

1. Larger tilt cylinders and optimized tilt links for increased load control in fork applications
2. Heavier rear frame and counterweight provide increased tipping loads in a millyard application
3. Extreme service transmission maintains durability
4. Optional window guarding to provide impact resistance to the glass
5. Optional 3rd function hydraulics provide auxiliary hydraulic control for work tools like millyard or logging forks
6. Wide range of millyard work tools



7. Optional variable pitch fan help to keep rear grill and cooling cores clean in high debris applications
8. Optional high debris/wide fin spacing cooling cores are less prone to plugging
9. Optional axle oil cooler provides lower axle oil temperatures in high braking applications
10. Optional engine and cab precleaners for use in high debris applications

## Tire Options

Tire Brand	Bridgestone	Michelin	Bridgestone	Michelin	Maxam	Maxam
Tire Size	29.5R25	29.5R25	29.5R25	29.5R25	29.5R25	29.5R25
Tread Type	L-4	L-4	L-3	L-3	L-3	L-4
Tread Pattern	VSNT	XLDD1	VJT	XHA2	MS302	MS405DX
Width over Tires – Maximum (empty)*	3240 mm 10'8"	3258 mm 10'9"	3263 mm 10'9"	3270 mm 10'9"	3270 mm 10'9"	3256 mm 10'9"
Width over Tires – Maximum (loaded)*	3260 mm 10'9"	3302 mm 10'10"	3289 mm 10'10"	3296 mm 10'10"	3290 mm 10'10"	3282 mm 10'10"
Change in Vertical Dimensions (average of front and rear)		-7 mm -0.3"	-23 mm -0.9"	-40 mm -1.6"	-19 mm -0.8"	-33 mm -1.3"
Change in Horizontal Reach		-1 mm 0"	20 mm 0.8"	23 mm 0.9"	6 mm 0.2"	19 mm 0.7"
Change in Clearance Circle to Outside of Tires		42 mm 1.7"	29 mm 1.1"	36 mm 1.4"	30 mm 1.2"	22 mm 0.9"
Change in Clearance Circle to Inside of Tires		-42 mm -1.7"	-29 mm -1.1"	-36 mm -1.4"	-30 mm -1.2"	-22 mm -0.9"
Change in Operating Weight (without Ballast)		-156 kg -344 lb	-684 kg -1,508 lb	-700 kg -1,544 lb	-528 kg -1,164 lb	-388 kg -856 lb
Change in Static Tipping Load – Straight		-119 kg -262 lb	-520 kg -1,147 lb	-532 kg -1,174 lb	-402 kg -885 lb	-295 kg -651 lb
Change in Static Tipping Load – Articulated		-103 kg -228 lb	-453 kg -998 lb	-463 kg -1,022 lb	-350 kg -771 lb	-257 kg -566 lb
Rear Axle Oscillation Angle	±13 degrees	±13 degrees	±13 degrees	±13 degrees	±13 degrees	±13 degrees
Maximum Single-wheel Rise and Fall	549 mm 1'10"	549 mm 1'10"	549 mm 1'10"	549 mm 1'10"	549 mm 1'10"	549 mm 1'10"

\*Width over tire bulge and includes tire growth.

Tire Brand	Michelin	Bridgestone	Bridgestone	Maxam
Tire Size	875/65R29	875/65R29	875/65R29	875/65R29
Tread Type	L-3	L-3	L-4	L-4
Tread Pattern	XHA2	VTS	VLTS	MS405DX
Width over Tires – Maximum (empty)*	3373 mm 11'1"	3341 mm 11'0"	3344 mm 11'0"	3357 mm 11'1"
Width over Tires – Maximum (loaded)*	3384 mm 11'2"	3359 mm 11'1"	3366 mm 11'1"	3382 mm 11'2"
Change in Vertical Dimensions (average of front and rear)	-25 mm -1"	-19 mm -0.8"	-16 mm -0.6"	-34 mm -1.3"
Change in Horizontal Reach	18 mm 0.7"	20 mm 0.8"	19 mm 0.7"	19 mm 0.7"
Change in Clearance Circle to Outside of Tires	124 mm 4.9"	99 mm 3.9"	106 mm 4.2"	122 mm 4.8"
Change in Clearance Circle to Inside of Tires	-124 mm -4.9"	-99 mm -3.9"	-106 mm -4.2"	-122 mm -4.8"
Change in Operating Weight (without Ballast)	-40 kg -88 lb	240 kg 529 lb	316 kg 697 lb	308 kg 679 lb
Change in Static Tipping Load – Straight	-30 kg -67 lb	183 kg 402 lb	240 kg 530 lb	234 kg 516 lb
Change in Static Tipping Load – Articulated	-26 kg -58 lb	159 kg 350 lb	209 kg 461 lb	204 kg 450 lb
Rear Axle Oscillation Angle	±8 degrees	±8 degrees	±8 degrees	±8 degrees
Maximum Single-wheel Rise and Fall	340 mm 1'1"	340 mm 1'1"	340 mm 1'1"	340 mm 1'1"

\*Width over tire bulge and includes tire growth.

# 980 Forestry Machine Specifications

## Fork Specifications

### Fork Specifications

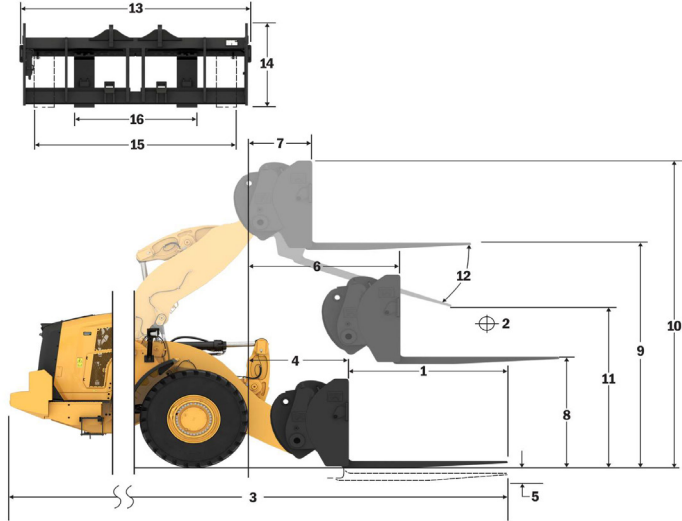
1	Tine Length	mm	2438
		in	96.0
2	Load Center	mm	1219
		in	48.0
	Static Tipping Load - Straight (Forks Level)	kg	15352
		lbs	33835
	Static Tipping Load - Articulated (Forks Level)	kg	13533
		lbs	29826
	Rated Load (SAE J1197 - 50% FTSTL)	kg	6766
		lbs	14913
	Rated Load (CEN EN 474-3 Rough Terrain - 60% FTSTL)	kg	8120
		lbs	17896
	Rated Load (CEN EN 474-3 Firm and Level Ground - 80% FTSTL)	kg	10826
		lbs	23861
3	Maximum Overall Length	mm	11174
		in	439.9
4	Reach with Forks at Ground Level	mm	1318
		in	51.9
5	*Ground to Bottom of Tine at Minimum Height and Fork Level	mm	-143
		in	-5.6
6	Reach with Arms Horizontal and Forks Level	mm	1840
		in	72.4
7	Reach with Fork at Maximum Height	mm	913
		in	35.9
8	Ground to Top of Tine with Arms Horizontal and Fork Level	mm	2169
		in	85.4
9	Ground to Top of Tine at Maximum Height and Fork Level	mm	4438
		in	174.7
10	Overall Height of Fork at Full Lift (top of carriage to ground)	mm	5810
		in	228.7
11	Clearance at Full Lift and Max Dump	mm	2165
		in	85.3
12	Max Discharge Angle from Horizontal	deg	47
13	Overall Carriage Width	mm	2751
		in	108.3
14	Overall Carriage Height	mm	1575
		in	62.0
15	Outside Tine Width (max spread)	mm	2671
		in	105.1
16	Outside Tine Width (min spread)	mm	849
		in	33.4
	Tine Width (single tine)	mm	88.9
		in	3.5
	Tine Thickness	mm	203.2
		in	8.0
	Tine Capacity	kg	11068
		lbs	24393
	Operating Weight	kg	31500
		lbs	69426

\*Negative values indicate below grade

## 980 LOG

Pallet, Pin-ON

96" Tine  
473-9104



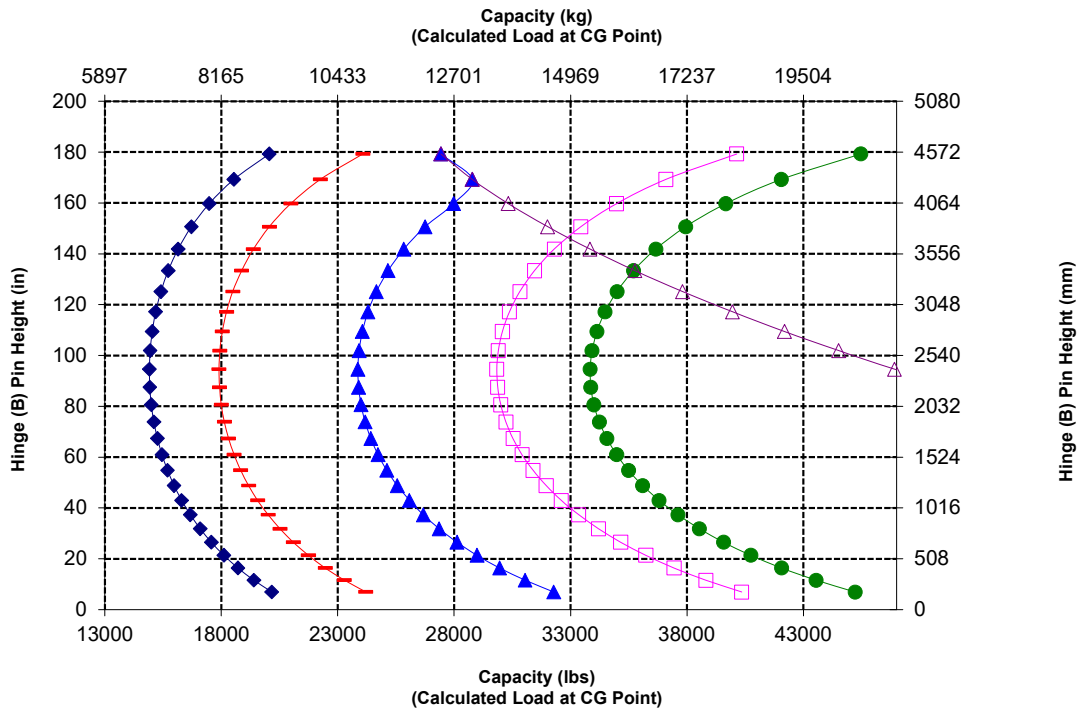
- ◆ Payload (SAE J1197)
- Payload (CEN EN 474-3 - Rough Terrain)
- ▲ Payload (CEN EN 474-3 - Firm & Level)
- ◆ Static Tipping Load - Articulated
- ◆ Static Tipping Load - Straight
- ▲ Hydraulic Tilt Capacity
- Hydraulic Lift Capacity

NOTE: Static tipping loads and operating weight are based on the following loader configuration: Bridgestone \* VSNT L4 Tires, Air Conditioning, Ride Control, Powertrain Guard, Full Fluids, Fuel Tank, Coolant, Lubricants, and Operator.

Specifications and ratings conform to the following standards: SAE\* J1197, ISO 14397-1, CEN\*\* EN 474-3.

The rated operating load for a loader equipped with a pallet fork is determined by:  
SAE J1197: 50% of full turn static tipping load or hydraulic limit.  
CEN EN 474-3: 60% of full turn static tipping load on rough terrain or hydraulic limit.  
CEN EN 474-3: 80% of full turn static tipping load on firm and level ground or hydraulic limit.

\*SAE - Society of Automotive Engineers  
\*\*CEN - European Committee for Standardization



**WARNING:** Do not exceed tine load capacity. Individual tine capacity is stamped on the side of each tine.

## Fork Specifications

### Fork Specifications

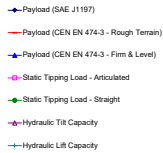
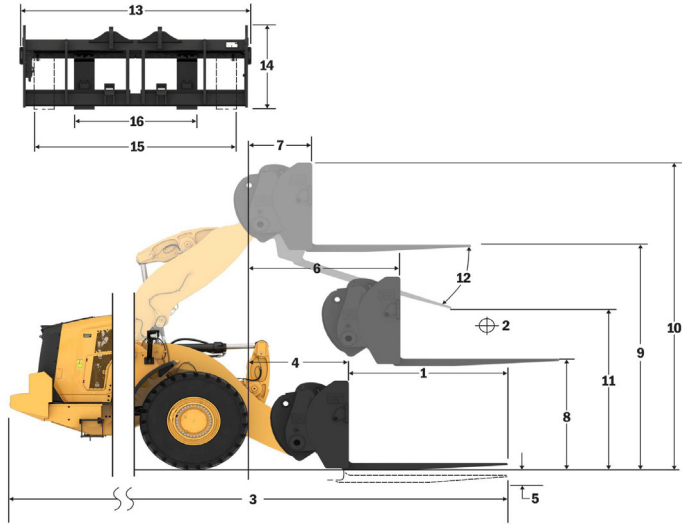
1	Tine Length	mm	1829
		in	72.0
2	Load Center	mm	914
		in	36.0
	Static Tipping Load - Straight (Forks Level)	kg	16872
		lbs	37187
	Static Tipping Load - Articulated (Forks Level)	kg	14904
		lbs	32849
	Rated Load (SAE J1197 - 50% FTSTL)	kg	7452
		lbs	16424
	Rated Load (CEN EN 474-3 Rough Terrain - 60% FTSTL)	kg	8943
		lbs	19709
	Rated Load (CEN EN 474-3 Firm and Level Ground - 80% FTSTL)	kg	11923
		lbs	26279
3	Maximum Overall Length	mm	10568
		in	416.1
4	Reach with Forks at Ground Level	mm	1322
		in	52.1
5	*Ground to Bottom of Tine at Minimum Height and Fork Level	mm	-149
		in	-5.9
6	Reach with Arms Horizontal and Forks Level	mm	1840
		in	72.4
7	Reach with Fork at Maximum Height	mm	913
		in	35.9
8	Ground to Top of Tine with Arms Horizontal and Fork Level	mm	2163
		in	85.2
9	Ground to Top of Tine at Maximum Height and Fork Level	mm	4432
		in	174.5
10	Overall Height of Fork at Full Lift (top of carriage to ground)	mm	5810
		in	228.7
11	Clearance at Full Lift and Max Dump	mm	2607
		in	102.7
12	Max Discharge Angle from Horizontal	deg	47
13	Overall Carriage Width	mm	2751
		in	108.3
14	Overall Carriage Height	mm	913
		in	36.3
15	Outside Tine Width (max spread)	mm	2671
		in	105.1
16	Outside Tine Width (min spread)	mm	849
		in	33.4
	Tine Width (single tine)	mm	88.9
		in	3.5
	Tine Thickness	mm	203.2
		in	8.0
	Tine Capacity	kg	14742
		lbs	32491
	Operating Weight	kg	31268
		lbs	68915

\*Negative values indicate below grade

## 980 LOG

Pallet, Pin-ON

72" Tine  
473-9106



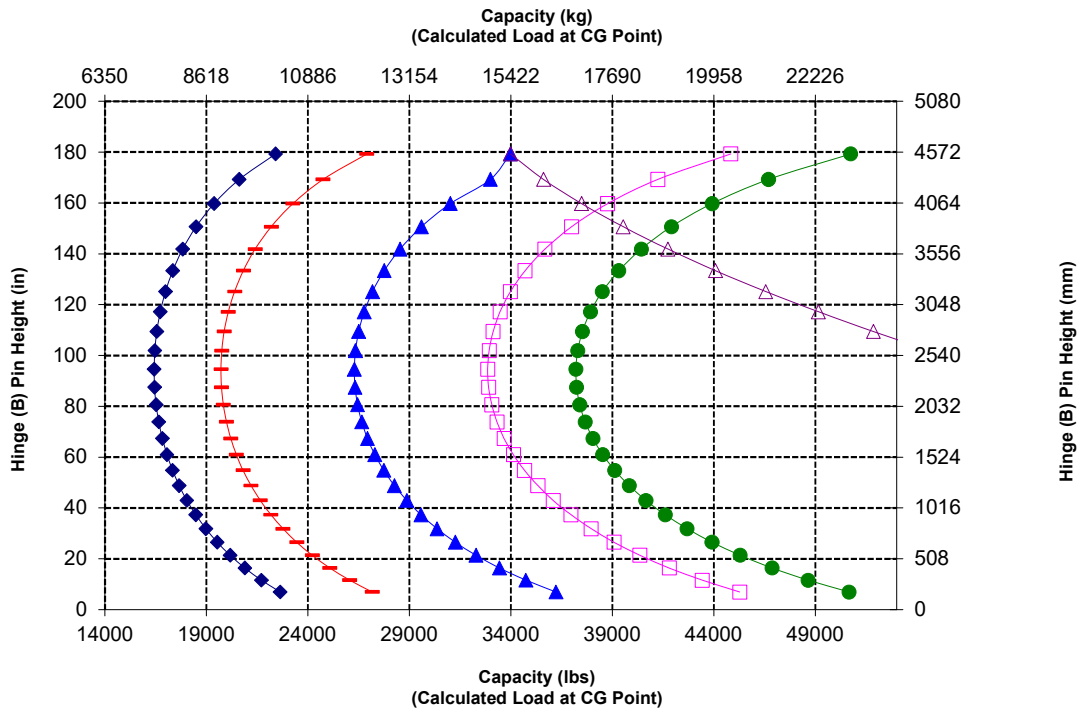
NOTE: Static tipping loads and operating weight are based on the following loader configuration: Bridgestone \* VSNT L4 Tires, Air Conditioning, Ride Control, Powertrain Guard, Full Fluids, Fuel Tank, Coolant, Lubricants, and Operator.

Specifications and ratings conform to the following standards: SAE\* J1197, ISO 14397-1, CEN\*\* EN 474-3.

The rated operating load for a loader equipped with a pallet fork is determined by:  
SAE J1197: 50% of full turn static tipping load or hydraulic limit.  
CEN EN 474-3: 60% of full turn static tipping load on rough terrain or hydraulic limit.  
CEN EN 474-3: 80% of full turn static tipping load on firm and level ground or hydraulic limit.

\*SAE - Society of Automotive Engineers

\*\*CEN - European Committee for Standardization



**WARNING:** Do not exceed tine load capacity. Individual tine capacity is stamped on the side of each tine.



# 980 Forestry Machine Specifications

## Fork Specifications

### Fork Specifications

1	Tine length	mm	1829
		in	72.0
2	Fork width	mm	2777
		in	109.3
	End area	m <sup>2</sup>	1.69
		ft <sup>2</sup>	18
3	Inside Height (only applies to double top clamp)	mm	0
		in	0
4	Min. opening (only applies to millyard forks)	mm	555
		in	22
	Operating Weight	kg	32765
		lbs	72234
5	Distance inside of tine tips	mm	2215
		in	87
	Static tipping load, articulated Fork level	kg	15998
		lbs	35268.4
	Static tipping load, straight Fork level	kg	18310
		lbs	40366.2
6	Max. height of fork (w/clamp open if applicable)	mm	3107
		in	122.3
7	Clearance w/full lift, 45 deg dump (if max. dump <= 45)	mm	2982
		in	117.4
8	Clearance @ full lift fork level	mm	4301
		in	169.3
9	Reach w/full lift, 45 deg dump (if max. dump <= 45)	mm	1600
		in	63.0
10	Reach w/lift arm horizontal and fork level	mm	3283
		in	129.2
11	*Ground to Bottom of Tool at Minimum Height and Tool Level	mm	-77
		in	-3.0
12	Width over tines	mm	2741
		in	107.9
13	Reach @ ground level	mm	2566
		in	101
14	Max. opening across tine and clamp	mm	2926
		in	115.2
15	Overall height of fork @ full lift and clamp open	mm	7408
		in	291.7
16	Overall length Tip of tine to rear of machine	mm	9983
		in	393.0
17	Clearance @ full lift and max. dump Discharge (if <= 45)	mm	2939
		in	115.7
18	Clearance w/horizontal lift arms and fork level	mm	2032.4
		in	80.0
19	Reach @ full lift and fork level	mm	2356.0
		in	92.8
20	Max. discharge angle from horizontal	deg	47
		rad	0.8

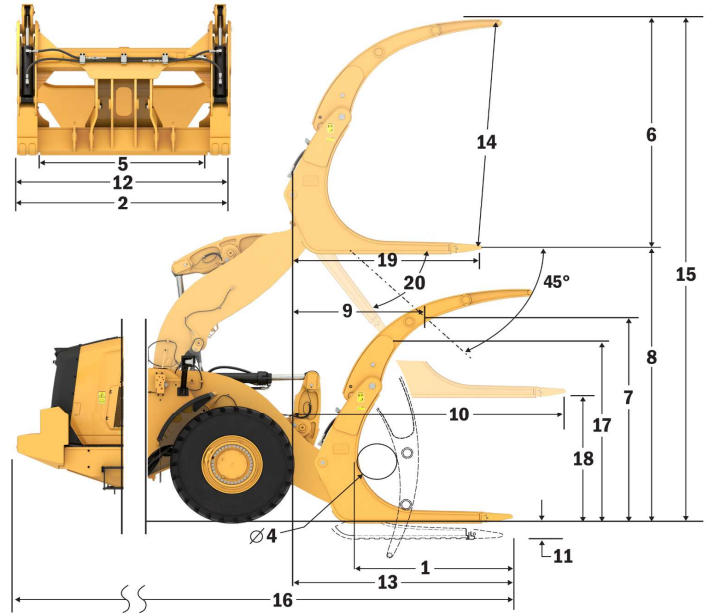
\*Negative values indicate below grade

## 980 LOG

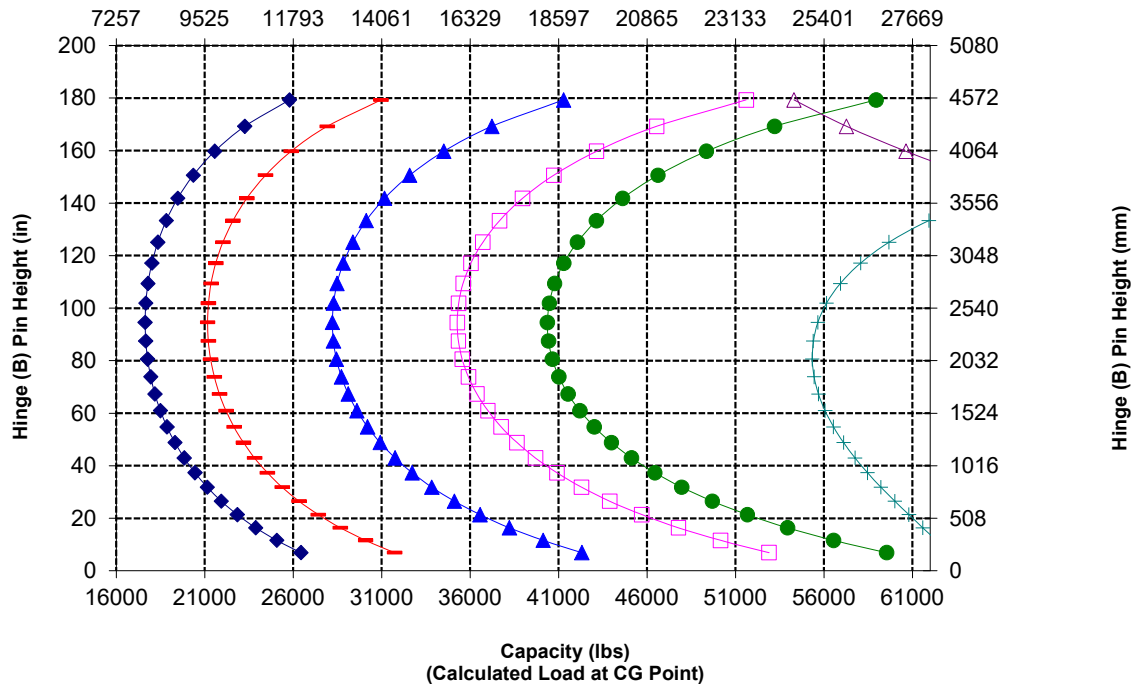
Millyard, Pin-On

72" Tine

507-6128



Capacity (kg)  
(Calculated Load at CG Point)



## Fork Specifications

### Fork Specifications

1	Tine length	mm	1826
		in	71.9
2	Fork width	mm	2802
		in	110.3
	End area	m <sup>2</sup>	2.43
		ft <sup>2</sup>	26
3	Inside Height (only applies to double top clamp)	mm	1540
		in	61
4	Min. opening (only applies to millyard forks)	mm	N/A
		in	N/A
	Operating Weight	kg	31970
		lbs	70481
5	Distance inside of tine tips	mm	2256
		in	89
	Static tipping load, articulated Fork level	kg	15920
		lbs	35097.5
	Static tipping load, straight Fork level	kg	18102
		lbs	39906.6
6	Max. height of fork (w/clamp open if applicable)	mm	3394
		in	133.6
7	Clearance w/full lift, 45 deg dump (if max. dump <= 45)	mm	2979
		in	117.3
8	Clearance @ full lift fork level	mm	4301
		in	169.3
9	Reach w/full lift, 45 deg dump (if max. dump <= 45)	mm	1603
		in	63.1
10	Reach w/lift arm horizontal and fork level	mm	3287
		in	129.4
11	*Ground to Bottom of Tool at Minimum Height and Tool Level	mm	-77
		in	-3.0
12	Width over tines	mm	2752
		in	108.4
13	Reach @ ground level	mm	2570
		in	101
14	Max. opening across tine and clamp	mm	2936
		in	115.6
15	Overall height of fork @ full lift and clamp open	mm	7695
		in	303.0
16	Overall length Tip of tine to rear of machine	mm	9987
		in	393.2
17	Clearance @ full lift and max. dump Discharge (if <= 45)	mm	2936
		in	115.6
18	Clearance w/horizontal lift arms and fork level	mm	2032.2
		in	80.0
19	Reach @ full lift and fork level	mm	2359.9
		in	92.9
20	Max. discharge angle from horizontal	deg	47
		rad	0.8

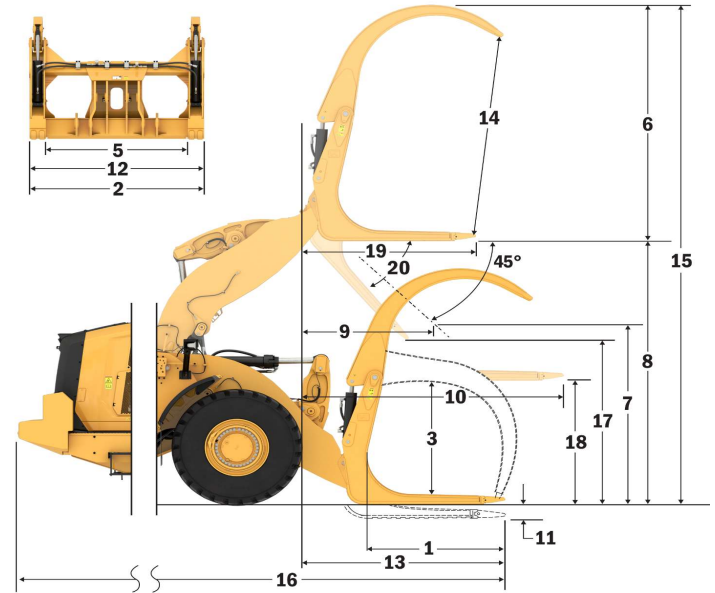
\*Negative values indicate below grade

## 980 LOG

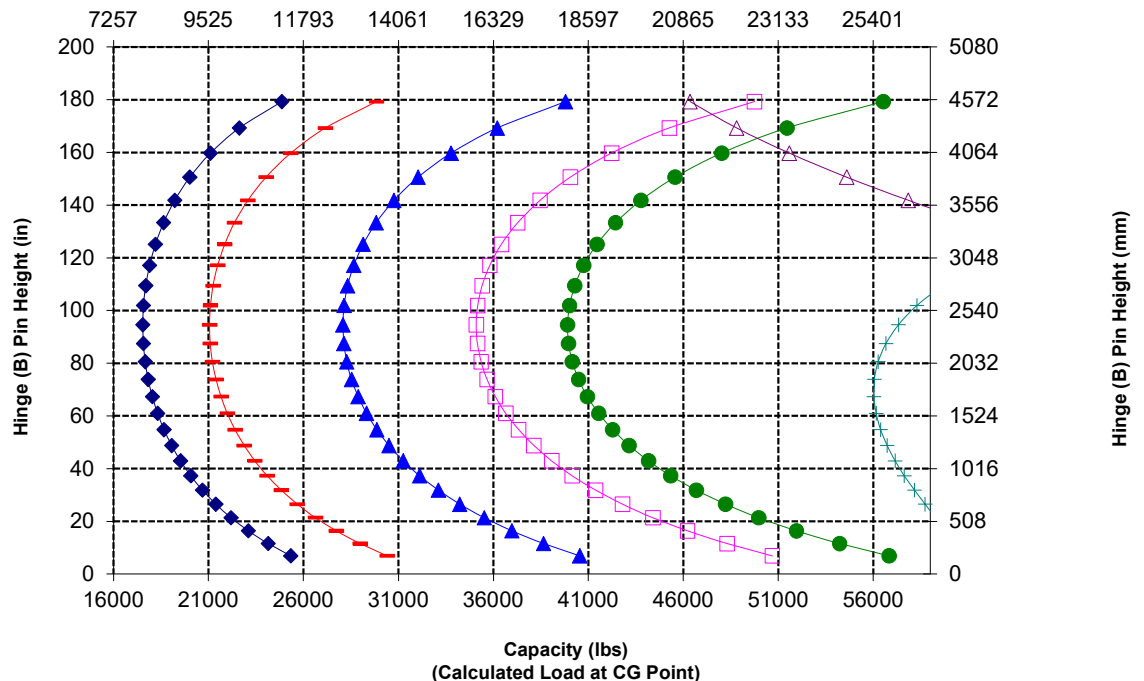
Logging, Pin-On

72" Tine

383-1822



Capacity (kg)  
(Calculated Load at CG Point)







# 980

## Steel Mill

***Steel mill package is designed for the challenging work environment of steel mills and slag handling applications, incorporating an added level of safety.***

### Proven Reliability

- Cat C13 engine offers increased power density with a combination of proven electronic fuel and air systems.
- Thorough component design and machine validation processes result in unmatched reliability and uptime.

### Durability

- Steel mill package adds additional steel guards all around the machine to protect your investment.
- Hydraulic hoses and electrical harnesses outside of the frame are insulated and wrapped with stainless steel braiding.
- Heavy-duty hinge pins with a cross hatch design and high temp bushings are purpose built
- Heavy-duty steel cable lower steps stand up to the harshest of conditions
- Heavy-duty transmission and axles designed to handle extreme applications.
- Automatic planetary powershift (4F/4R) transmission features durable, long-lasting components.

### Superior Fuel Efficiency & Productivity

- Powershift transmission with lock-up clutch increases fuel efficiency while delivering optimal performance.
- Single clutch and lock-to-lock shifting for faster acceleration and speed on grades.
- Automatic idle engine shutdown system significantly reduces idle time, overall operating hours, and fuel consumption.
- Optional limited slip differentials increase traction and reduce tire slip, lowering operating costs.
- Deeply integrated engine, power train, and hydraulic systems deliver unmatched productivity and fuel efficiency.

### Safety Features

- Ground-level parking brake override & engine shutdown switches for emergency machine retrieval.
- Optional rear egress stairs allows for another point of machine exit for the operator.
- In-cab parking brake and transmission override controls provide an added level of safety for a steel mill application.
- Rearview camera enhances visibility behind the machine, helping you work safely and confidently.
- Cab access with wide door, optional remote door opening, and stair-like steps add solid stability.
- Floor-to-ceiling windshield, large mirrors with integrated spot mirrors, and rearview camera provide industry leading all-around visibility.

### Reduced Maintenance Time and Costs

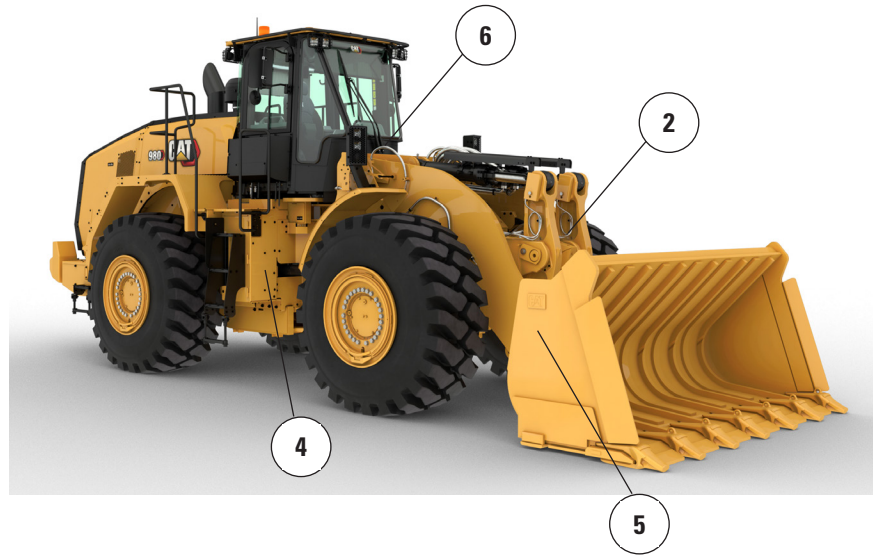
- Extended fluid and filter change intervals reduce maintenance costs by up to 20%.
- Remote Troubleshoot can connect the machine to the dealer service department to help diagnose problems quickly so you can get back to work.
- Remote Flash works around your schedule to ensure your machine's software is up to date for optimal performance.
- The Cat App helps you manage fleet location, hours, and maintenance schedules; it also alerts you for required maintenance and allows you to request service from your local Cat dealer.
- One-piece tilting hood makes engine compartment access fast and easy.

### Work in Comfort in the All New Cab

- Next-generation, easily adjustable seat and suspension for improved operator comfort. It comes in three trim levels and can be equipped with a 4-point harness.
- New in-cab dashboard and high-resolution touch display(s) are easy to use, intuitive, and user friendly.
- Sound suppression, seals, and viscous cab mounts decrease noise and vibration for a quieter work environment.
- The seat-mounted electro-hydraulic joystick steering system provides precision control and dramatically reduces arm fatigue, resulting in excellent comfort and accuracy. An HMU steering wheel is also available.

## 980 Steel Mill Features

1. Hydraulic hoses and electrical harness are wrapped with a thermal sleeve
2. Hoses and harnesses outside of the frame have an additional stainless-steel sleeve applied
3. Added steel guards include crankcase, power train, front frame, hitch, steering cylinder, service center, cab, platform, implement valve cover, and tilt cylinder
4. Extreme service transmission
5. Heavy-duty hinge pins with a cross hatch design and high temp bushings are purpose built
6. Front lights are guarded and positioned close to the frame for added protection



7. Ground-level parking brake override & engine shutdown switches
8. Optional rear egress with fire suppression left hand mounting point available
9. Steel roof cap and steel mirrors integrated into the cab
10. In-cab parking brake and transmission override controls
11. In-cab secondary engine start
12. Non-bonded flat front cab glass allows for easy replacement
13. Eco-Safe FR46 hydraulic fluid available from the factory
14. Optional steel hood
15. Heavy-duty steel cable steps

# 980 Steel Mill Specifications

## Tire Options

Tire Brand	Bridgestone	Michelin	Michelin	Michelin
<b>Tire Size</b>	<b>29.5-25</b>	<b>29.5-25</b>	<b>29.5-25</b>	<b>29.5-25</b>
<b>Tread Type</b>	<b>L-4</b>	<b>L-4</b>	<b>L-5</b>	<b>L-5</b>
<b>Tread Pattern</b>	<b>VSNT</b>	<b>XLDD1</b>	<b>XLDD2</b>	<b>XMINED2</b>
Width over Tires – Maximum (empty)*	3240 mm 10'8"	3258 mm 10'9"	3256 mm 10'9"	3275 mm 10'9"
Width over Tires – Maximum (loaded)*	3260 mm 10'9"	3302 mm 10'10"	3296 mm 10'10"	3294 mm 10'10"
Change in Vertical Dimensions (average of front and rear)		-7 mm -0.3"	-6 mm -0.2"	5 mm 0.2"
Change in Horizontal Reach		-1 mm 0"	3 mm 0.1"	3 mm 0.1"
Change in Clearance Circle to Outside of Tires		42 mm 1.7"	36 mm 1.4"	34 mm 1.3"
Change in Clearance Circle to Inside of Tires		-42 mm -1.7"	-36 mm -1.4"	-34 mm -1.3"
Change in Operating Weight (without Ballast)		-156 kg -344 lb	208 kg 459 lb	532 kg 1173 lb
Change in Static Tipping Load – Straight		-119 kg -262 lb	158 kg 349 lb	405 kg 892 lb
Change in Static Tipping Load – Articulated		-103 kg -228 lb	138 kg 304 lb	352 kg 777 lb
Rear Axle Oscillation Angle	±8 degrees	±8 degrees	±8 degrees	±8 degrees
Maximum Single-wheel Rise and Fall	340 mm 1'1"	340 mm 1'1"	340 mm 1'1"	340 mm 1'1"

\*Width over tire bulge and includes tire growth.

Tire Brand	Bridgestone	Michelin	Bridgestone	Bridgestone
<b>Tire Size</b>	<b>29.5R25</b>	<b>29.5R25</b>	<b>29.5R25</b>	<b>29.5R25</b>
<b>Tread Type</b>	<b>L-3</b>	<b>L-4</b>	<b>L-5</b>	<b>L-5</b>
<b>Tread Pattern</b>	<b>VJT</b>	<b>VSNT</b>	<b>VSDT</b>	<b>VSDL</b>
Width over Tires – Maximum (empty)*	3263 mm 10'9"	3270 mm 10'9"	3272 mm 10'9"	3250 mm 10'8"
Width over Tires – Maximum (loaded)*	3289 mm 10'10"	3296 mm 10'10"	3301 mm 10'10"	3275 mm 10'9"
Change in Vertical Dimensions (average of front and rear)	-23 mm -0.9"	-40 mm -1.6"	4 mm 0.1"	20 mm 0.8"
Change in Horizontal Reach	20 mm 0.8"	23 mm 0.9"	0 mm 0"	-10 mm -0.4"
Change in Clearance Circle to Outside of Tires	29 mm 1.1"	36 mm 1.4"	41 mm 1.6"	15 mm 0.6"
Change in Clearance Circle to Inside of Tires	-29 mm -1.1"	-36 mm -1.4"	-41 mm -1.6"	-15 mm -0.6"
Change in Operating Weight (without Ballast)	-684 kg -1508 lb	-700 kg -1,544 lb	500 kg 1,103 lb	708 kg 1,561 lb
Change in Static Tipping Load – Straight	-520 kg -1147 lb	-532 kg -1,174 lb	380 kg 838 lb	538 kg 1,187 lb
Change in Static Tipping Load – Articulated	-453 kg -998 lb	-463 kg -1,022 lb	331 kg 730 lb	469 kg 1,033 lb
Rear Axle Oscillation Angle	±8 degrees	±8 degrees	±8 degrees	±8 degrees
Maximum Single-wheel Rise and Fall	340 mm 1'1"	340 mm 1'1"	340 mm 1'1"	340 mm 1'1"

\*Width over tire bulge and includes tire growth.

## Tire Options

Tire Brand	Maxam	Maxam	Maxam	Brawler
Tire Size	29.5-25	29.5-25	29.5-25	29.5-25
Tread Type	L-3	L-4	L-5	L-3
Tread Pattern	MS302	MS405DX	MS503	XHA2
Width over Tires – Maximum (empty)*	3270 mm 10'9"	3256 mm 10'9"	3268 mm 10'9"	3227 mm 10'8"
Width over Tires – Maximum (loaded)*	3290 mm 10'10"	3282 mm 10'10"	3304 mm 10'11"	3230 mm 10'8"
Change in Vertical Dimensions (average of front and rear)	-19 mm -0.8"	-33 mm -1.3"	-6 mm -0.2"	9 mm 0.4"
Change in Horizontal Reach	6 mm 0.2"	19 mm 0.7"	-3 mm -0.1"	30 mm 1.2"
Change in Clearance Circle to Outside of Tires	30 mm 1.2"	22 mm 0.9"	44 mm 1.7"	-30 mm -1.2"
Change in Clearance Circle to Inside of Tires	-30 mm -1.2"	-22 mm -0.9"	-44 mm -1.7"	30 mm 1.2"
Change in Operating Weight (without Ballast)	-528 kg -1,164 lb	-388 kg -856 lb	252 kg 556 lb	5772 kg 12,727 lb
Change in Static Tipping Load – Straight	-402 kg -885 lb	-295 kg -651 lb	192 kg 423 lb	4390 kg 9,679 lb
Change in Static Tipping Load – Articulated	-350 kg -771 lb	-257 kg -566 lb	167 kg 368 lb	3821 kg 8,425 lb
Rear Axle Oscillation Angle	±8 degrees	±8 degrees	±8 degrees	±8 degrees
Maximum Single-wheel Rise and Fall	340 mm 1'1"	340 mm 1'1"	340 mm 1'1"	340 mm 1'1"

\*Width over tire bulge and includes tire growth.

Tire Brand	Michelin	Bridgestone	Bridgestone	Maxam
Tire Size	875/65R29	875/65R29	875/65R29	875/65R29
Tread Type	L-3	L-3	L-4	L-4
Tread Pattern	XHA2	VTS	VLTS	MS405DX
Width over Tires – Maximum (empty)*	3373 mm 11'1"	3341 mm 11'0"	3344 mm 11'0"	3357 mm 11'1"
Width over Tires – Maximum (loaded)*	3384 mm 11'2"	3359 mm 11'1"	3366 mm 11'1"	3382 mm 11'2"
Change in Vertical Dimensions (average of front and rear)	-25 mm -1"	-19 mm -0.8"	-16 mm -0.6"	-34 mm -1.3"
Change in Horizontal Reach	18 mm 0.7"	20 mm 0.8"	19 mm 0.7"	19 mm 0.7"
Change in Clearance Circle to Outside of Tires	124 mm 4.9"	99 mm 3.9"	106 mm 4.2"	122 mm 4.8"
Change in Clearance Circle to Inside of Tires	-124 mm -4.9"	-99 mm -3.9"	-106 mm -4.2"	-122 mm -4.8"
Change in Operating Weight (without Ballast)	-40 kg -88 lb	240 kg 529 lb	316 kg 697 lb	308 kg 679 lb
Change in Static Tipping Load – Straight	-30 kg -67 lb	183 kg 402 lb	240 kg 530 lb	234 kg 516 lb
Change in Static Tipping Load – Articulated	-26 kg -58 lb	159 kg 350 lb	209 kg 461 lb	204 kg 450 lb
Rear Axle Oscillation Angle	±8 degrees	±8 degrees	±8 degrees	±8 degrees
Maximum Single-wheel Rise and Fall	340 mm 1'1"	340 mm 1'1"	340 mm 1'1"	340 mm 1'1"

\*Width over tire bulge and includes tire growth.

# 980 Steel Mill Specifications

## Operating Specifications – Buckets

Linkage		Standard Linkage
Bucket Type		Slag – Pin-On
Edge Type		Teeth and Segments
Capacity – Rated	m <sup>3</sup>	3.80
	yd <sup>3</sup>	5.00
Capacity – Rated at 110% Fill Factor	m <sup>3</sup>	4.20
	yd <sup>3</sup>	5.50
Width	mm	3394
	ft/in	11'1"
16† Dump Clearance at Maximum Lift and 45° Discharge	mm	3206
	ft/in	10'6"
17† Reach at Maximum Lift and 45° Discharge	mm	1493
	ft/in	4'10"
Reach at Level Lift Arm and Bucket Level	mm	3021
	ft/in	9'10"
A† Digging Depth	mm	114
	in	4.5"
12† Overall Length	mm	9793
	ft/in	32'2"
B† Overall Height with Bucket at Maximum Lift	mm	6016
	ft/in	19'9"
Loader Clearance Circle Radius with Bucket at Carry Position	mm	7635
	ft/in	25'1"
Static Tipping Load, Straight (With tire deflection)	kg	20 885
	lb	46,031
Static Tipping Load, Straight (No tire deflection)	kg	22 305
	lb	49,161
Static Tipping Load, Articulated (With tire deflection)	kg	17 710
	lb	39,033
Static Tipping Load, Articulated (No tire deflection)	kg	18 982
	lb	41,836
Breakout Force (§)	kN	257
	lbf	57,919
Operating Weight*	kg	33 895
	lb	74,704

\* Static tipping loads and operating weights shown are based on a machine configuration with Bridgestone 29.5R25 VSNT L4 radial tires, full fluids, operator, axle oil cooler, standard counterweight, steel mill linkage, flat window, rear egress fenders, ride control, steel roof cap, standard starting, steel mill package, turbine engine precleaner, Product Link, open/open differentials, power train guard, standard steering, and sound suppression.

† Illustration shown with Dimension charts.

(§) Measured 100 mm (4") behind tip of cutting edge with bucket hinge pin as pivot point in accordance with ISO 14397-2:2007.

(With tire deflection) Full compliance to ISO 14397-1:2007 Sections 1 thru 6, which requires 2% verification between calculations and testing.

(No tire deflection) Compliance to ISO 14397-1:2007 Sections 1 thru 5.

Other buckets are available and offerings vary by region. Consult your local Cat dealer for further details.



# 980

## Block Handler

***The Cat 980 Block Handler is designed to withstand the demanding and harsh environment of block handling applications. The Block Handler's features work together to provide a durable and reliable machine to meet your needs.***

### **Proven Reliability**

- Cat C13 engine offers increased power density with a combination of proven electronic fuel and air systems.
- Thorough component design and machine validation processes result in unmatched reliability and uptime.

### **Durability**

- Heavy-duty rims have a thicker center disc and rim section that were specifically designed to carry the additional loads that are common in a block handling application.
- Extreme service transmission with lock-up clutch torque convertor for improved performance and durability.

### **Superior Fuel Efficiency & Productivity**

- Block handler package includes larger tilt cylinders and counterweight for increased load control.
- Rack limiting feature to prevent unintended lever contact with the blocks.
- Block handler counterweight with integrated guard offers higher payload capability for block handling.
- Powershift transmission with lock-up clutch increases fuel efficiency while delivering optimal performance.
- Single clutch and lock-to-lock shifting for faster acceleration and speed on grades.
- Automatic idle engine shutdown system significantly reduces idle time, overall operating hours, and fuel consumption.
- Optional limited slip differentials increase traction and reduce tire slip, lowering operating costs.
- Deeply integrated engine, power train, and hydraulic systems deliver unmatched productivity and fuel efficiency.

### **Safety Features**

- Rearview camera enhances visibility behind the machine, helping you work safely and confidently.
- Optional multiview (360°) vision system helps the operator monitor the surroundings of the machine at all times.
- Optional Cat Detect radar technology enhances awareness by monitoring the working environment and alerts operators to hazards.
- Cab access with wide door, optional remote door opening, and stair-like steps add solid stability.
- Floor-to-ceiling windshield, large mirrors with integrated spot mirrors, and rearview camera provide industry leading all-around visibility.
- Optional access light and under-hood service light system to provide illuminated access to the machine and daily checks even in the dark.

### **Reduced Maintenance Time and Costs**

- Extended fluid and filter change intervals reduce maintenance costs by up to 20%.
- Remote Troubleshoot can connect the machine to the dealer service department to help diagnose problems quickly so you can get back to work.
- Remote Flash works around your schedule to ensure your machine's software is up to date for optimal performance.
- The Cat App helps you manage fleet location, hours, and maintenance schedules; it also alerts you for required maintenance and allows you to request service from your local Cat dealer.
- One-piece tilting hood makes engine compartment access fast and easy.

### **Work in Comfort in the All New Cab**

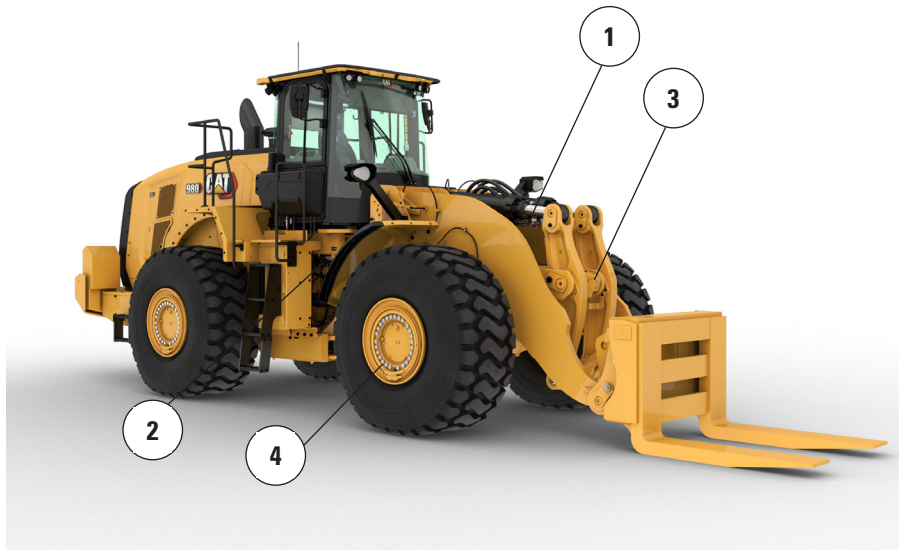
- Next-generation, easily adjustable seat and suspension for improved operator comfort. It comes in three trim levels and can be equipped with a 4-point harness.
- New in-cab dashboard and high-resolution touch display(s) are easy to use, intuitive, and user friendly.
- Sound suppression, seals, and viscous cab mounts decrease noise and vibration for a quieter work environment.
- The seat-mounted electro-hydraulic joystick steering system provides precision control and dramatically reduces arm fatigue, resulting in excellent comfort and accuracy. An HMU steering wheel is also available.



# 980 Block Handler Specifications

## 980 Block Handler Features

1. Larger tilt cylinders for increased load control
2. Extreme service transmission with lock-up clutch torque convertor for improved performance and durability
3. Rack limiting feature to prevent unintended lever contact with the blocks
4. Heavy-duty rims have a thicker center disc and rim section that were specifically designed to carry the additional loads that are common in a block handling application



5. Heavier counterweight provides for greater tipping loads while the integrated counterweight guard protects the counterweight from impact
6. Rear frame is reinforced and features solid steel frame rails rearward of the axle
7. Optional axle oil cooler provides lower axle oil temperatures in high braking applications



# 980 Block Handler Specifications

## Tire Options

Tire Brand	BRIDGESTONE	GOODYEAR	BRIDGESTONE
Tire Size	29.5R25	29.5R25	29.5R25
Tread Type	L-3	L3	L-5
Tread Pattern	VJT	RT-3B	VSDL
Casing Strength	**	**	**
Width over Tires – Maximum (empty)*	3263 mm 10'9"	3270 mm 10'9"	3250 mm 10'8"
Width over Tires – Maximum (loaded)*	3289 mm 10'10"	3311 mm 10'11"	3275 mm 10'9"
Change in Vertical Dimensions (average of front and rear)		-1 mm 0"	43 mm 1.7"
Change in Horizontal Reach		4 mm 0.1"	-30 mm -1.2"
Change in Clearance Circle to Outside of Tires		22 mm 0.9"	-14 mm -0.6"
Change in Clearance Circle to Inside of Tires		-22 mm -0.9"	14 mm 0.6"
Change in Operating Weight (without Ballast)		348 kg 767 lb	1392 kg 3,069 lb
Change in Static Tipping Load – Straight		265 kg 584 lb	1059 kg 2,334 lb
Change in Static Tipping Load – Articulated		230 kg 508 lb	922 kg 2,032 lb
Rear Axle Oscillation Angle	±8 degrees	±8 degrees	±8 degrees
Maximum Single-wheel Rise and Fall	340 mm 1'1"	340 mm 1'1"	340 mm 1'1"

\*Width over tire bulge and includes tire growth.

# 980 Block Handler Specifications

## Fork Specifications

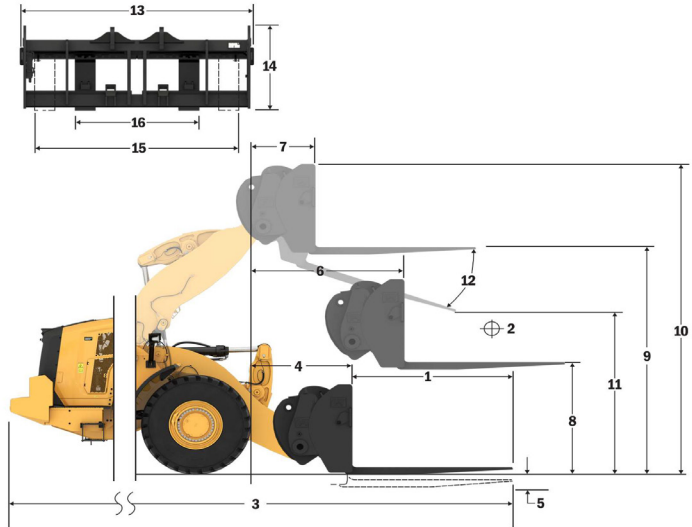
### Fork Specifications

1	Tine Length	mm	1495
		in	58.9
2	Load Center	mm	748
		in	29.4
	Static Tipping Load - Straight (Forks Level)	kg	21931
		lbs	48335
	Static Tipping Load - Articulated (Forks Level)	kg	19180
		lbs	42273
	Rated Load (SAE J1197 - 50% FTSTL)	kg	9590
		lbs	21137
	Rated Load (CEN EN 474-3 Rough Terrain - 60% FTSTL)	kg	11508
		lbs	25364
	Rated Load (CEN EN 474-3 Firm and Level Ground - 80% FTSTL)	kg	15344
		lbs	33819
3	Maximum Overall Length	mm	10365
		in	408.1
4	Reach with Forks at Ground Level	mm	1259
		in	49.6
5	*Ground to Bottom of Tine at Minimum Height and Fork Level	mm	-254
		in	-10.0
6	Reach with Arms Horizontal and Forks Level	mm	1766
		in	69.5
7	Reach with Fork at Maximum Height	mm	839
		in	33.0
8	Ground to Top of Tine with Arms Horizontal and Fork Level	mm	1971
		in	77.6
9	Ground to Top of Tine at Maximum Height and Fork Level	mm	4239
		in	166.9
10	Overall Height of Fork at Full Lift (top of carriage to ground)	mm	5284
		in	208.0
11	Clearance at Full Lift and Max Dump	mm	2842
		in	111.9
12	Max Discharge Angle from Horizontal	deg	47
13	Overall Carriage Width	mm	1504
		in	59.2
14	Overall Carriage Height	mm	1160
		in	45.7
15	Outside Tine Width (max spread)	mm	1454
		in	57.2
16	Outside Tine Width (min spread)	mm	1454
		in	57.2
	Tine Width (single tine)	mm	300.0
		in	11.8
	Tine Thickness	mm	115.0
		in	4.5
	Tine Capacity	kg	26488
		lbs	58380
	Operating Weight	kg	33601
		lbs	74056

\*Negative values indicate below grade

## 980 BH Block Handler Fork

59" Tine  
453-9870

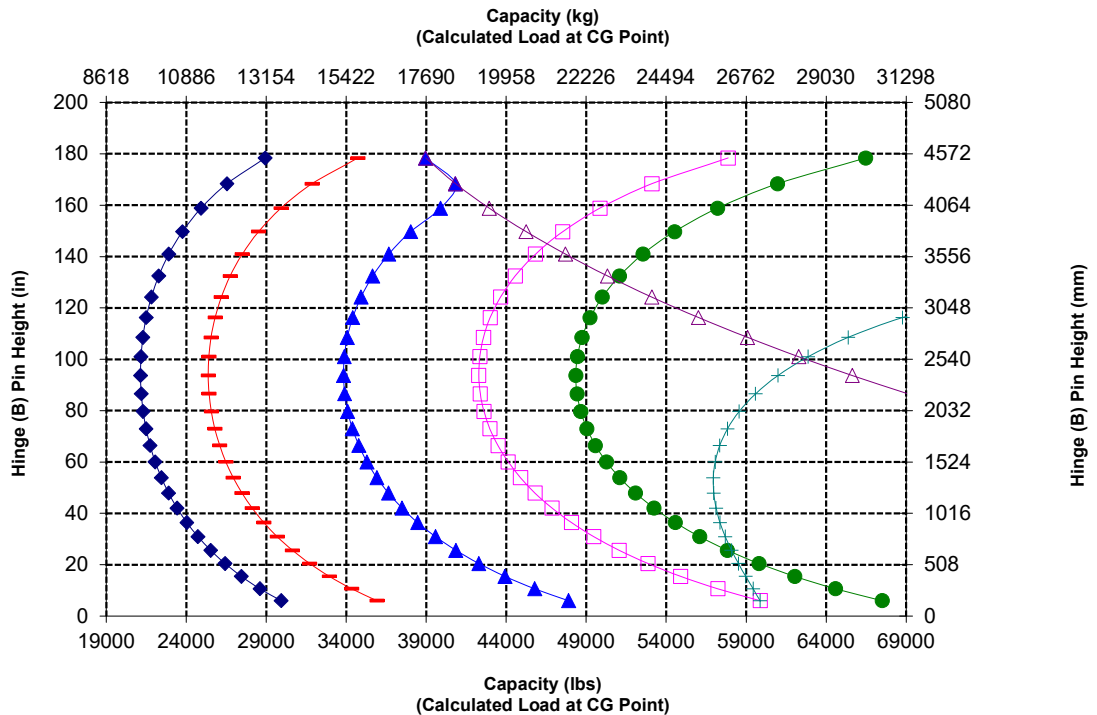


NOTE: Static tipping loads and operating weight are based on the following loader configuration: Bridgestone \*\* VJT L3 Tires, Air Conditioning, Ride Control, Powertrain Guard, Full Fluids, Fuel Tank, Coolant, Lubricants, and Operator.

Specifications and ratings conform to the following standards: SAE\* J1197, ISO 14397-1, CEN\*\* EN 474-3.

The rated operating load for a loader equipped with a pallet fork is determined by:  
SAE J1197: 50% of full turn static tipping load or hydraulic limit.  
CEN EN 474-3: 60% of full turn static tipping load on rough terrain or hydraulic limit.  
CEN EN 474-3: 80% of full turn static tipping load on firm and level ground or hydraulic limit.

\*SAE - Society of Automotive Engineers  
\*\*CEN - European Committee for Standardization



**WARNING:** Do not exceed tine load capacity. Individual tine capacity is stamped on the side of each tine.



For more complete information on Cat products, dealer services, and industry solutions, visit us on the web at [www.cat.com](http://www.cat.com).

Materials and specifications are subject to change without notice. Featured machines in photos may include additional equipment. See your Cat dealer for available options.

© 2023 Caterpillar. All Rights Reserved. CAT, CATERPILLAR, LET'S DO THE WORK, their respective logos, Product Link, Fusion, XT, "Caterpillar Corporate Yellow", the "Power Edge" and Cat "Modern Hex" trade dress as well as corporate and product identity used herein, are trademarks of Caterpillar and may not be used without permission.

AEXQ3162-02 (1-2023)  
Build Number: 14A  
(Afr-ME, Eurasia, S Am,  
Aus-NZ, SE Asia, Indonesia)

